



US00D911606S

(12) **United States Design Patent** (10) **Patent No.:** **US D911,606 S**
Ramm et al. (45) **Date of Patent:** **** Feb. 23, 2021**

(54) **BUTTON FOR A SHAVING RAZOR**
(71) Applicant: **The Gillette Company LLC**, Boston, MA (US)
(72) Inventors: **Christopher Ramm**, North Attleboro, MA (US); **Philipp Goeder**, Frankfurt (DE)
(73) Assignee: **The Gillette Company LLC**, Boston, MA (US)
(**) Term: **15 Years**

D475,159 S * 5/2003 Fisher D28/48
D652,991 S * 1/2012 Cavazos Jimenez D28/48
D654,221 S * 2/2012 Christie D28/48
D656,676 S * 3/2012 Cavazos Jimenez D28/48
D656,677 S * 3/2012 Cavazos Jimenez D28/48
D660,516 S * 5/2012 Christie D28/48
D699,395 S * 2/2014 Bae D28/48
D710,056 S * 7/2014 Martin D28/48
D829,993 S * 10/2018 Hage D28/48
D843,658 S * 3/2019 Kong D28/48
2008/0209733 A1* 9/2008 Johnson A45D 27/22
30/41
2009/0320293 A1 12/2009 Clarke
2012/0102761 A1 5/2012 Jessemey et al.
2013/0145625 A1 6/2013 Xu et al.

(21) Appl. No.: **29/734,437**
(22) Filed: **May 12, 2020**

Related U.S. Application Data

(62) Division of application No. 29/650,044, filed on Jun. 4, 2018, now Pat. No. Des. 887,641.
(51) **LOC (13) Cl.** **28-03**
(52) **U.S. Cl.**
USPC **D28/47**
(58) **Field of Classification Search**
USPC D28/44-54; D9/502, 516, 530, 562, 564
CPC B26B 21/00-21/12; B26B 21/14; B26B 21/16; B26B 21/165; B26B 21/18; B26B 21/185; B26B 21/20-21/227; B26B 21/44; B26B 21/4062; B26B 19/3886; B26B 19/00; B26B 19/10; B26B 19/12; B26B 19/14; B26B 19/38; B26B 19/02-19/107
See application file for complete search history.

(56) **References Cited**

U.S. PATENT DOCUMENTS

2,747,273 A * 5/1956 Olsson B26B 21/446
30/41
D437,661 S * 2/2001 Pinchuk D28/48

(Continued)
Primary Examiner — Jennifer Rivard
Assistant Examiner — Alison M Ofstun
(74) *Attorney, Agent, or Firm* — John M. Lipchitz

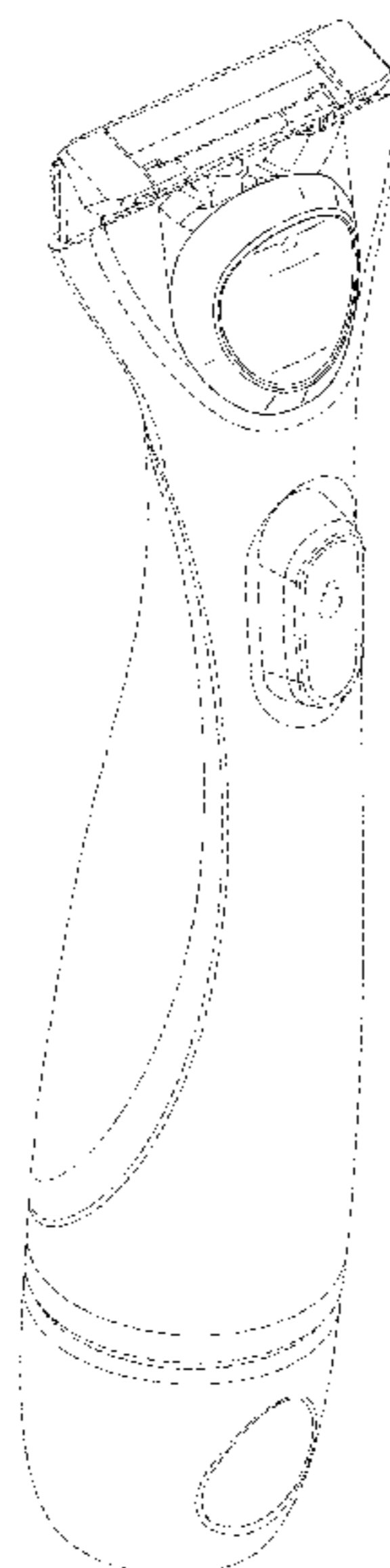
(57) **CLAIM**

The ornamental design for a button for a shaving razor, as shown and described.

DESCRIPTION

FIG. 1 is a front, top, perspective view of a button for a shaving razor showing our new design;
FIG. 2 is a front view thereof;
FIG. 3 is a rear view thereof;
FIG. 4 is a right side view thereof;
FIG. 5 is a left side view thereof;
FIG. 6 is a top view thereof;
FIG. 7 is a bottom view thereof;
FIG. 8 is a front, bottom, perspective view thereof; and,
FIG. 9 is a rear perspective view thereof.
In the drawings, the broken line triangular feature on the top surface of the button illustrates a portion of the article which form no part of the claimed design. The remaining broken lines illustrate environmental subject matter and form no part of the claimed design.

1 Claim, 6 Drawing Sheets



(56)

References Cited

U.S. PATENT DOCUMENTS

2013/0145626 A1* 6/2013 Xu B26B 21/4068
30/41
2015/0121705 A1* 5/2015 Coffindaffer A61K 8/891
30/41.5
2018/0200899 A1* 7/2018 Eagleton B26B 21/522
2019/0299466 A1* 10/2019 Goeder B26B 21/48
2019/0299471 A1* 10/2019 Verasamy B26B 21/521

* cited by examiner

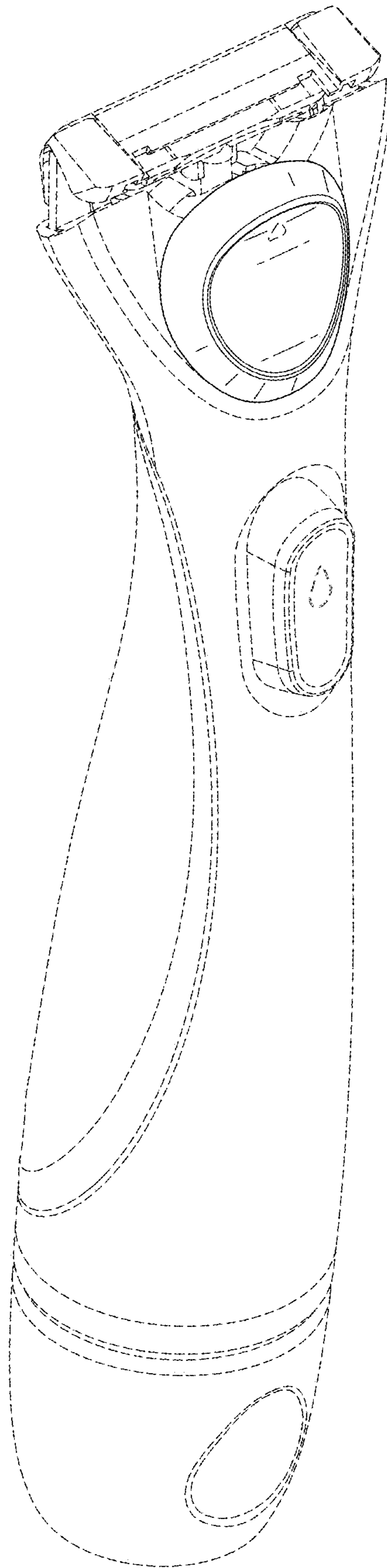


FIG. 1

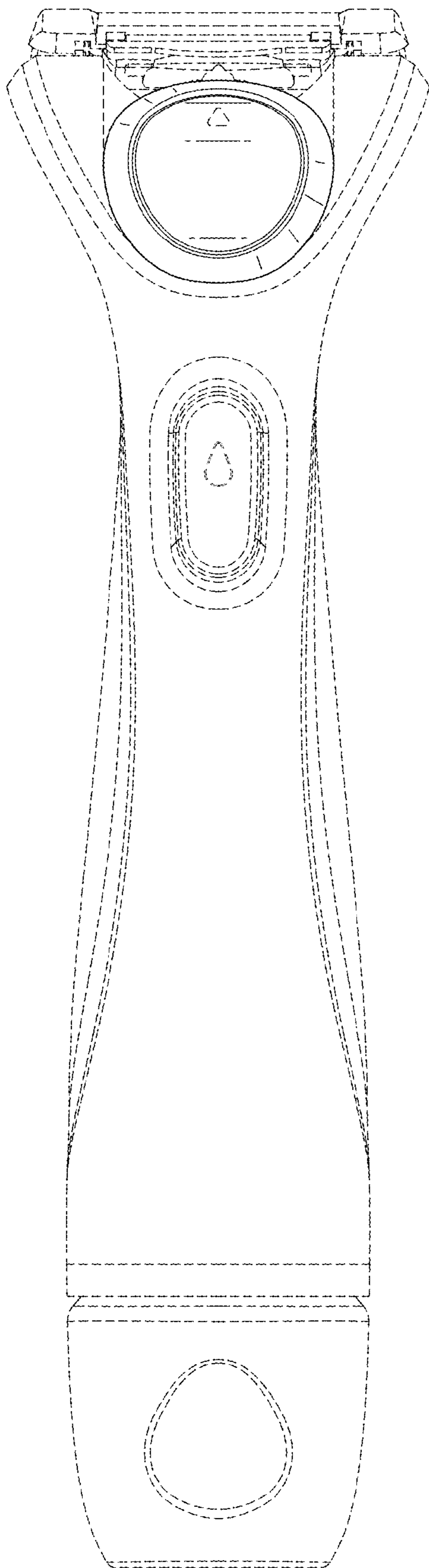


FIG. 2

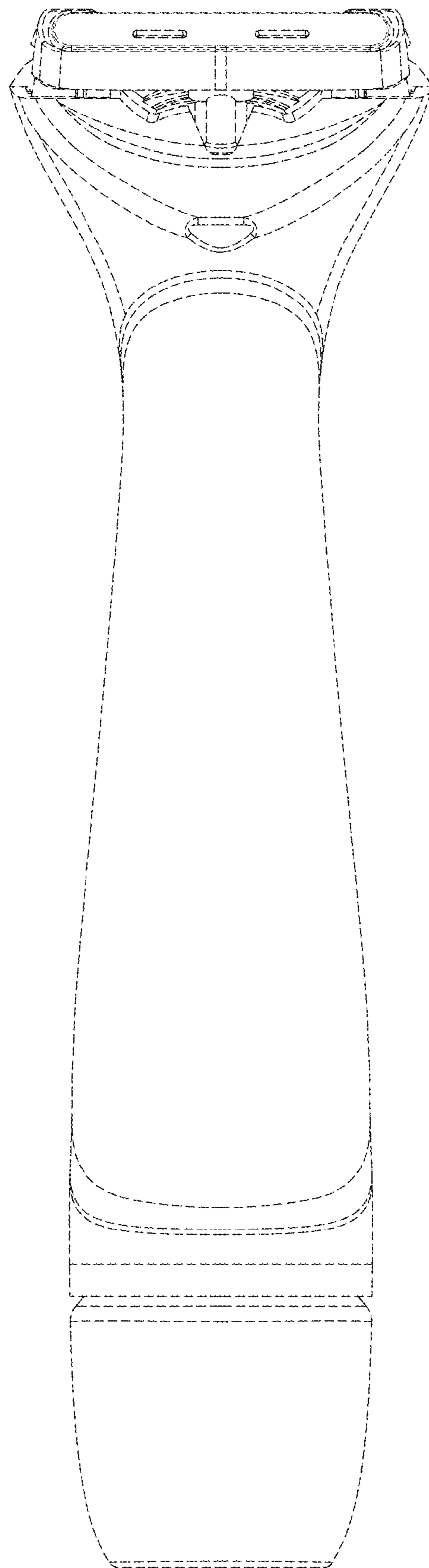


FIG. 3

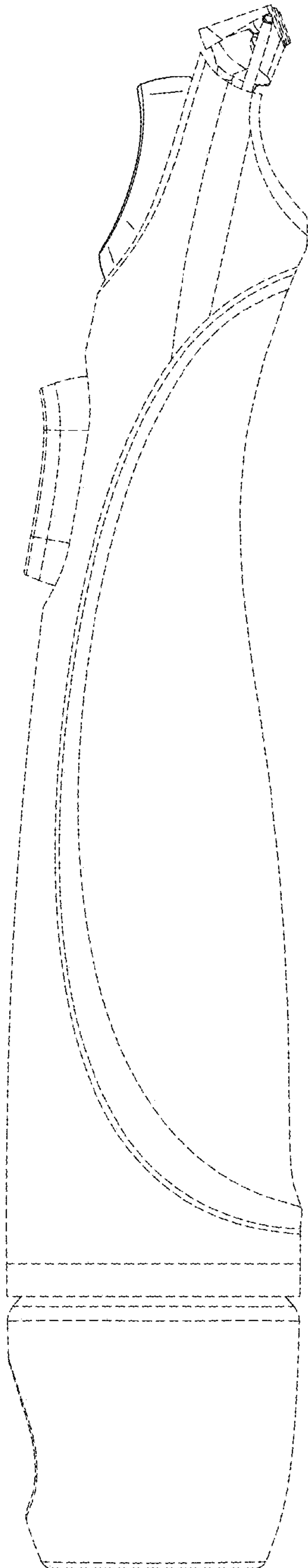


FIG. 4

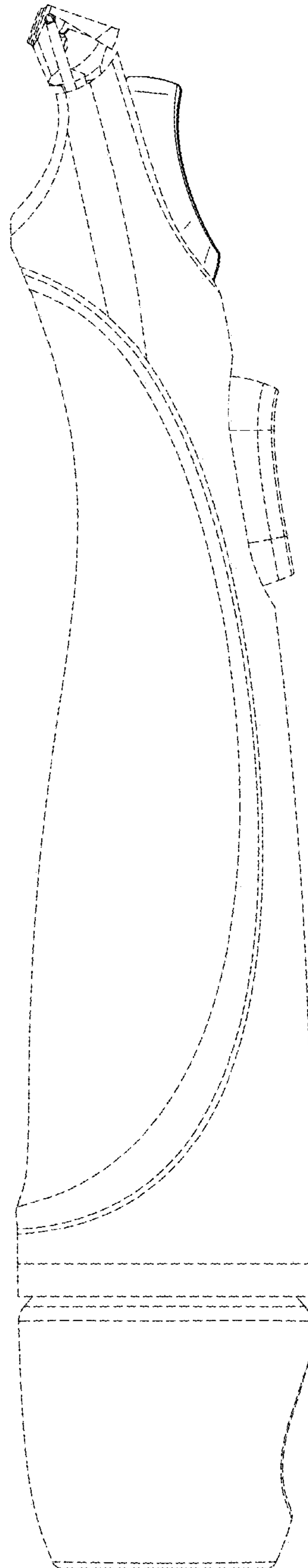


FIG. 5

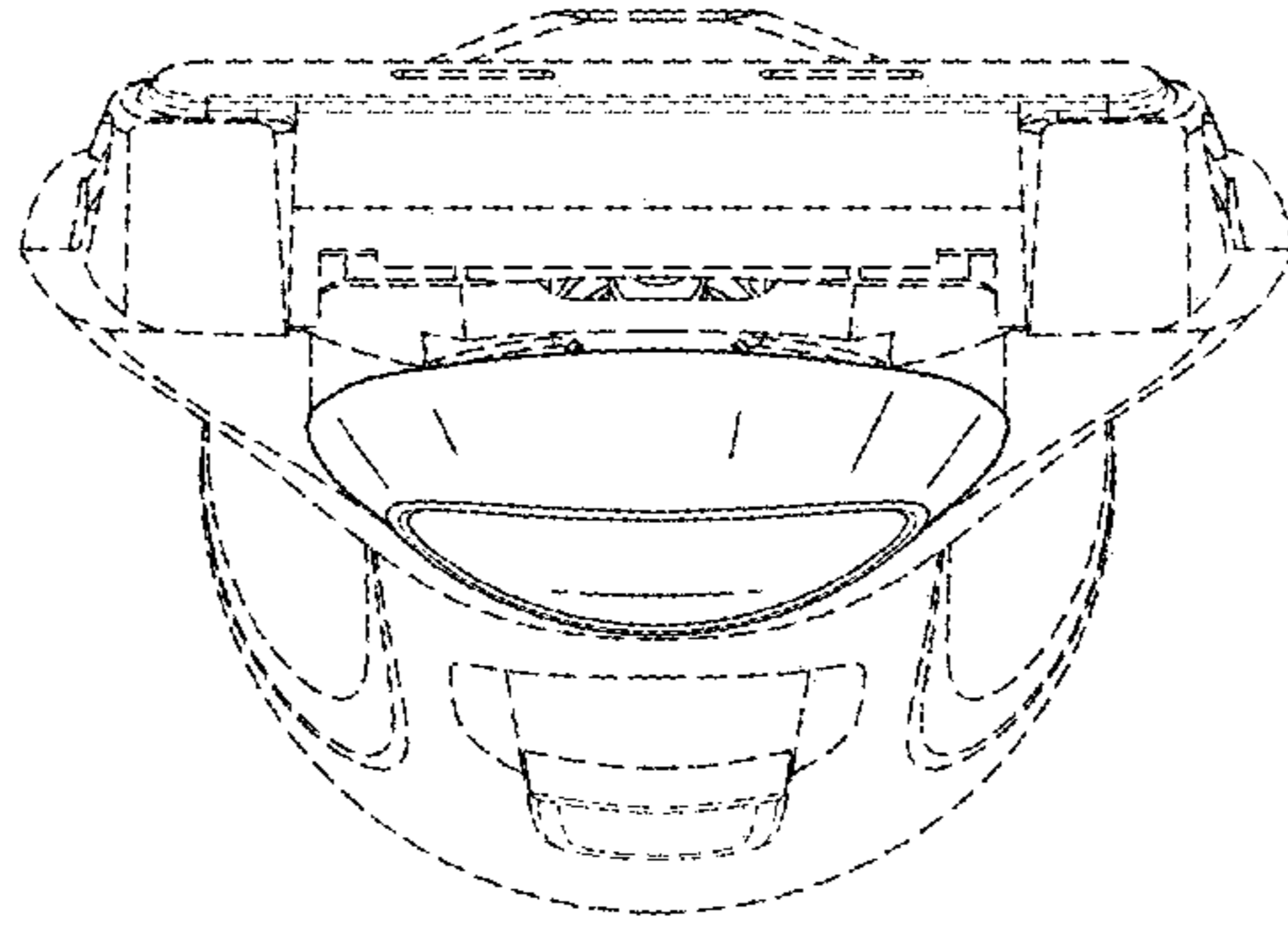


FIG. 6

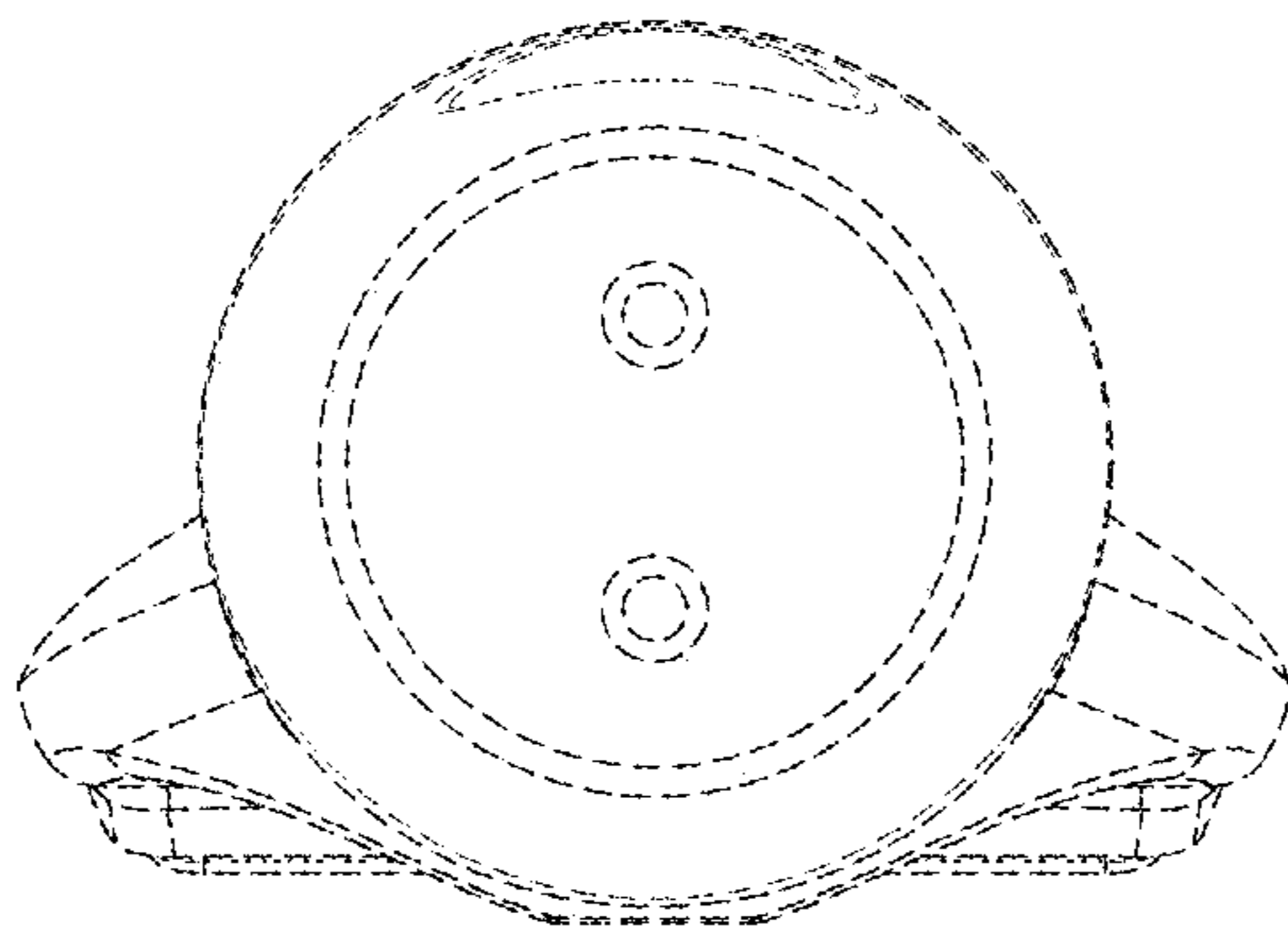


FIG. 7

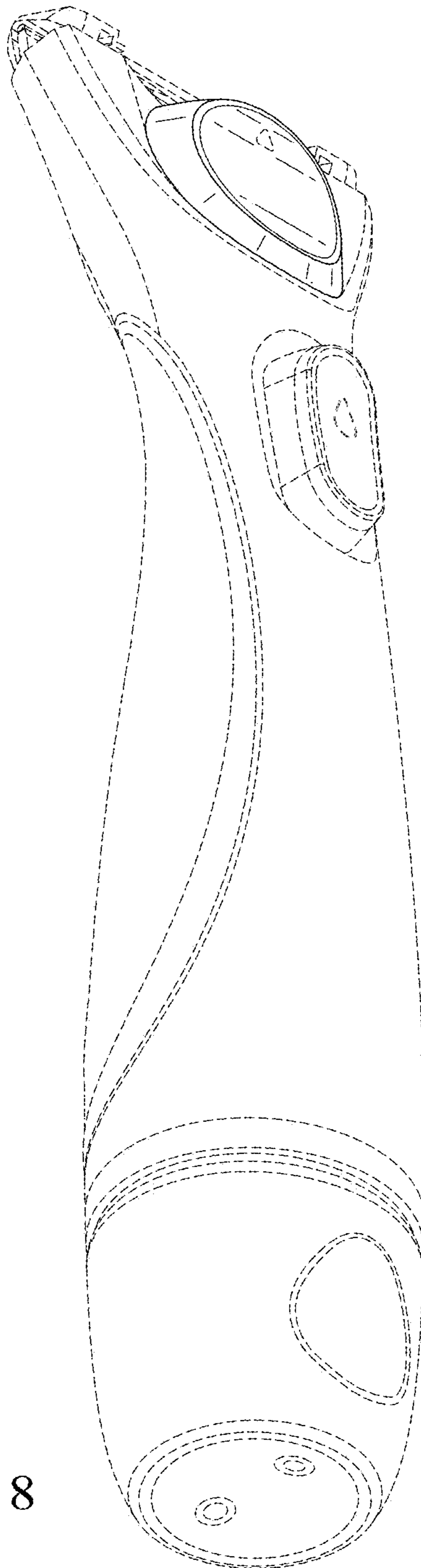


FIG. 8

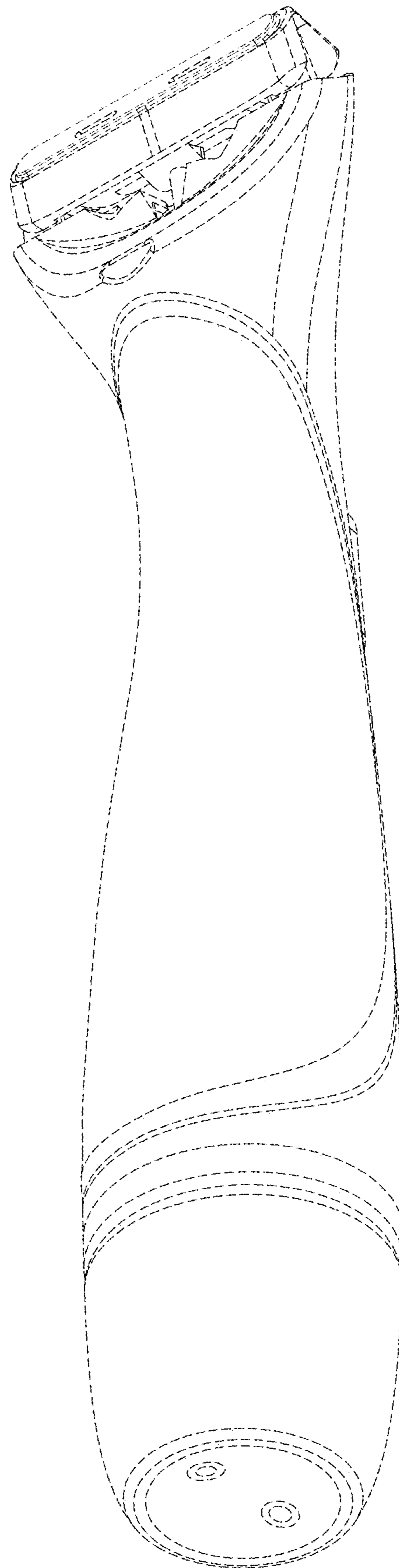


FIG. 9