



US00D911604S

(12) **United States Design Patent**
Chen

(10) **Patent No.:** **US D911,604 S**
(45) **Date of Patent:** **** Feb. 23, 2021**

- (54) **HAIR DRYER**
- (71) Applicant: **GUANGDONG WUYE TECHNOLOGY CO., LTD.,**
Dongguan (CN)
- (72) Inventor: **Yiyang Chen,** Dongguan (CN)
- (73) Assignee: **GUANGDONG WUYE TECHNOLOGY CO., LTD,** Dongguan (CN)

D730,575 S	5/2015	Bates et al.	
D730,576 S	5/2015	Gammack	
D731,117 S	6/2015	Bates et al.	
D741,544 S	10/2015	Gammack	
D757,361 S	5/2016	Gammack	
D757,362 S	5/2016	Dyson et al.	
D782,733 S *	3/2017	Smith	D28/13
D791,407 S *	7/2017	Smith	D28/13
D832,510 S	10/2018	Kuzia et al.	
D850,717 S *	6/2019	Huang	D28/13
D861,246 S	9/2019	Hsu	
D872,358 S	1/2020	Liao	
D884,965 S *	5/2020	Liu	D28/13

(**) Term: **15 Years**

* cited by examiner

(21) Appl. No.: **29/733,275**

Primary Examiner — Zenia I Bennett

(22) Filed: **Apr. 30, 2020**

(74) *Attorney, Agent, or Firm* — Law Offices of Steven W. Weinrieb

(51) **LOC (13) Cl.** **28-03**

(52) **U.S. Cl.**
USPC **D28/13**

(58) **Field of Classification Search**
USPC D28/12–19; D8/29.1
CPC A45D 20/00; A45D 20/04; A45D 20/06;
A45D 20/08; A45D 20/10; A45D 20/128;
F24H 3/0423; F24H 3/0488; F24H 3/002;
F24H 9/2071
See application file for complete search history.

(57) **CLAIM**

The ornamental design for a hair dryer, as shown and described.

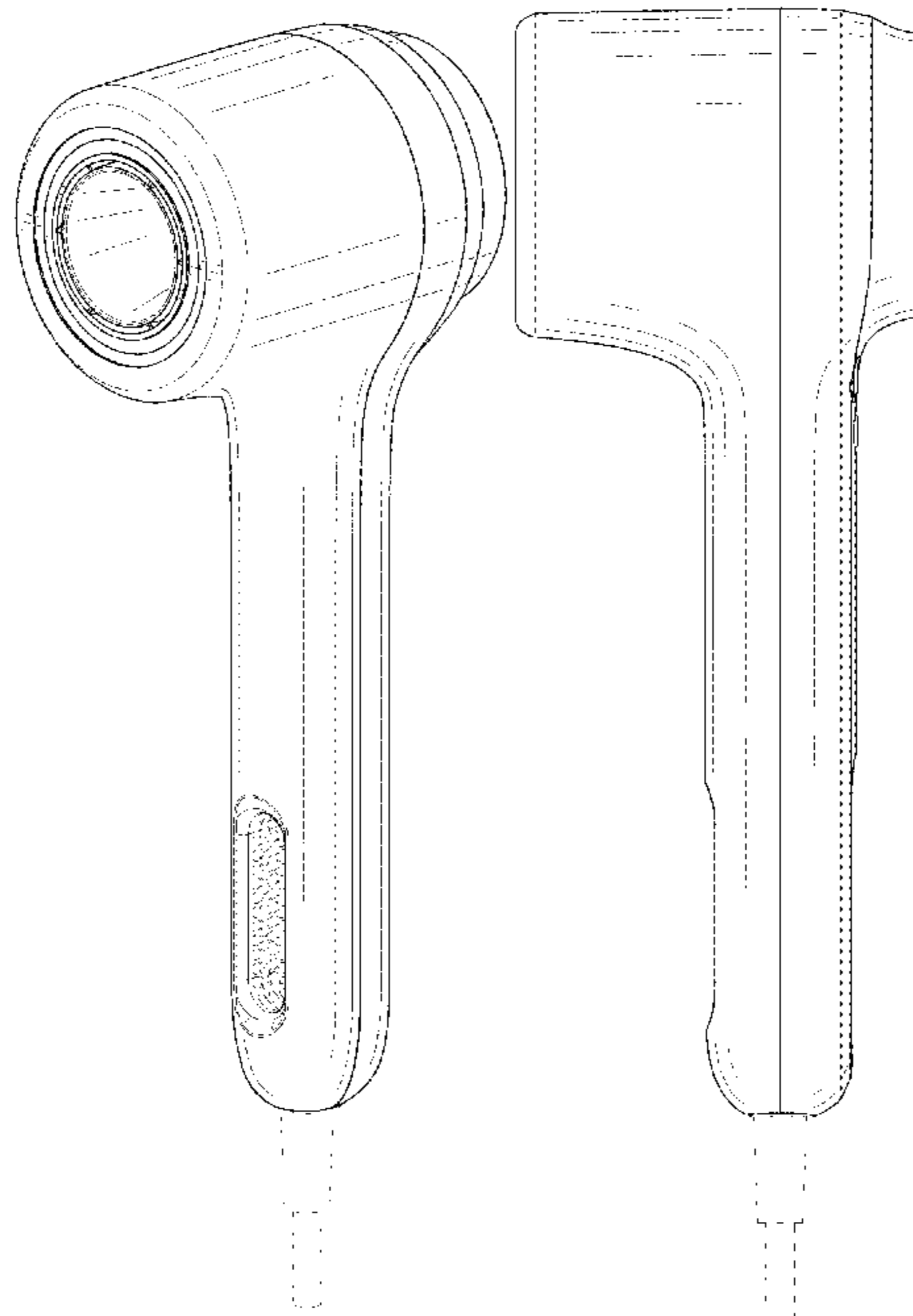
DESCRIPTION

FIG. 1 is a front, right side, top perspective view of a hair dryer showing my new design;
FIG. 2 is a rear, left side, bottom perspective view thereof;
FIG. 3 is a front elevational view thereof;
FIG. 4 is a rear elevational view thereof;
FIG. 5 is a left side elevational view thereof;
FIG. 6 is a right side elevational view thereof;
FIG. 7 is a top plan view thereof; and,
FIG. 8 is an enlarged view of the encircled region noted by the number 8 in FIG. 2.
The broken lines depict portions of the hair dryer that form no part of the claimed design.

(56) **References Cited**
U.S. PATENT DOCUMENTS

D398,717 S	9/1998	Kling et al.
D715,995 S	10/2014	Dyson et al.
D715,996 S	10/2014	Dyson et al.
D716,492 S	10/2014	Dyson et al.
D729,447 S	5/2015	Gammack
D729,448 S	5/2015	Gammack
D729,978 S	5/2015	Bates et al.
D729,979 S	5/2015	Gammack

1 Claim, 8 Drawing Sheets



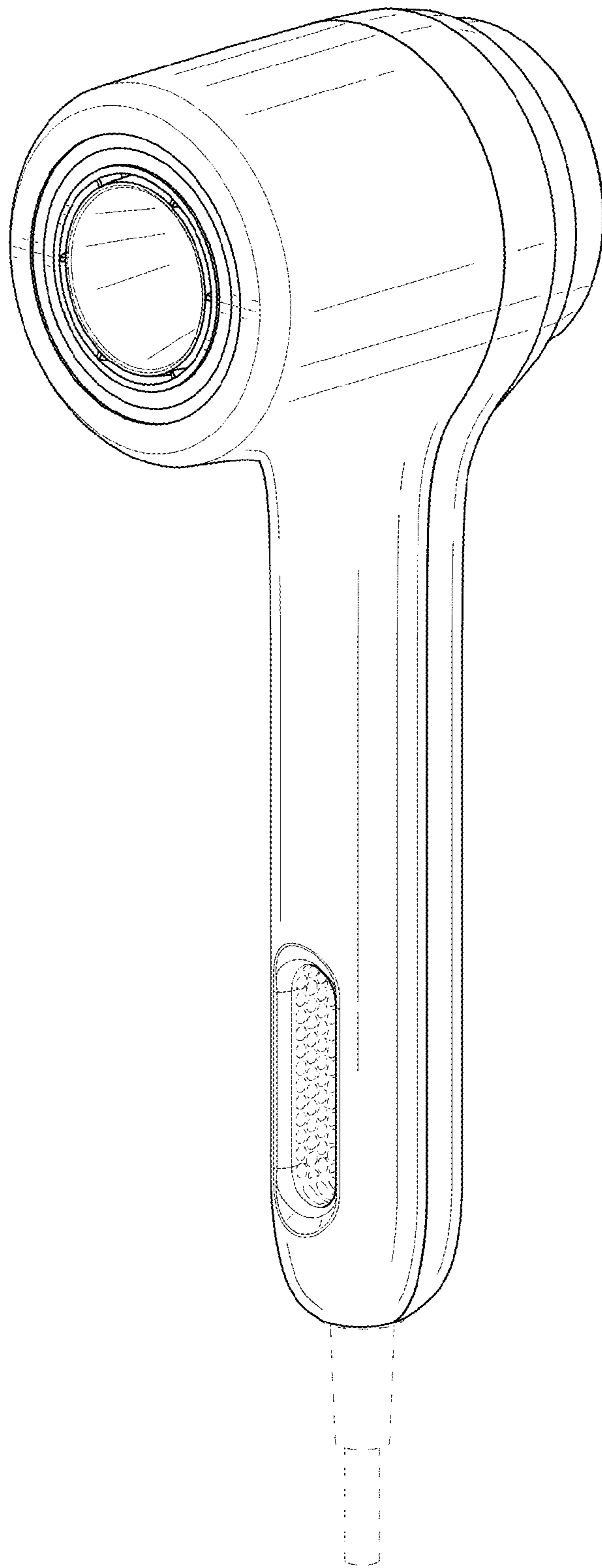


FIG.1

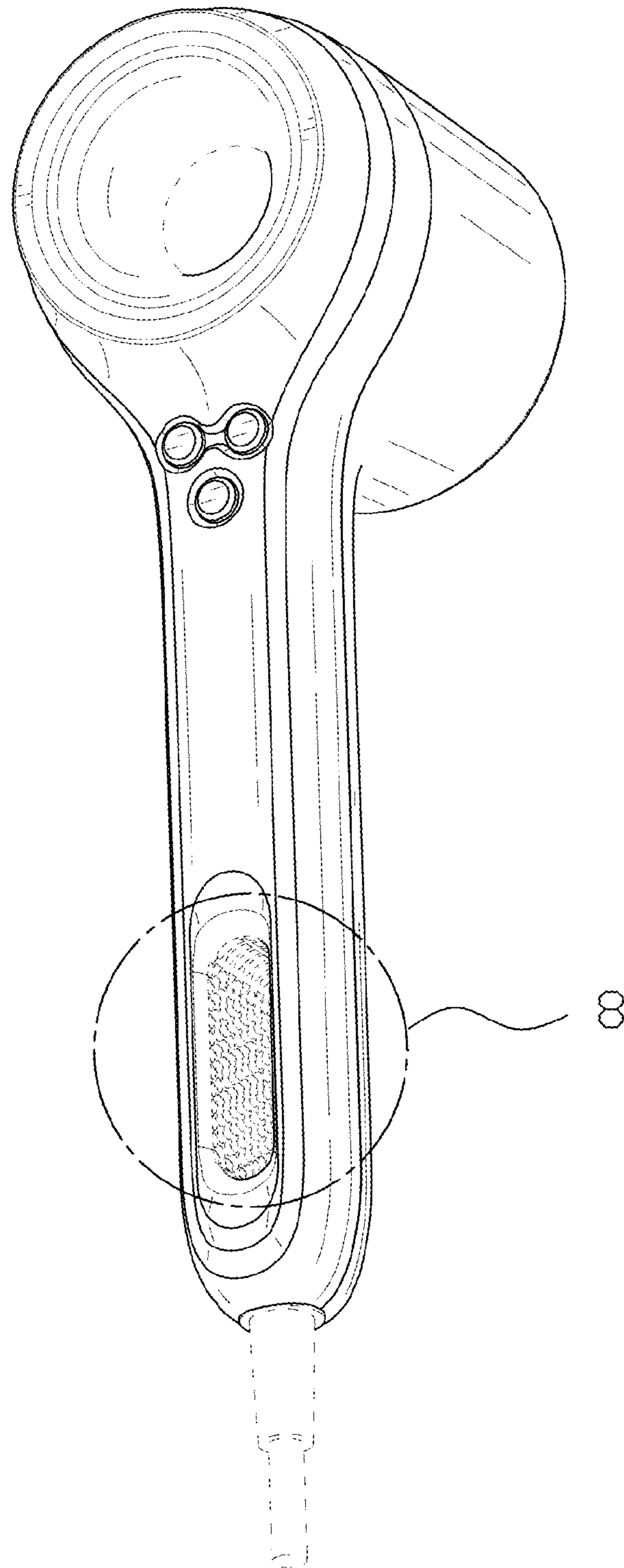


FIG.2

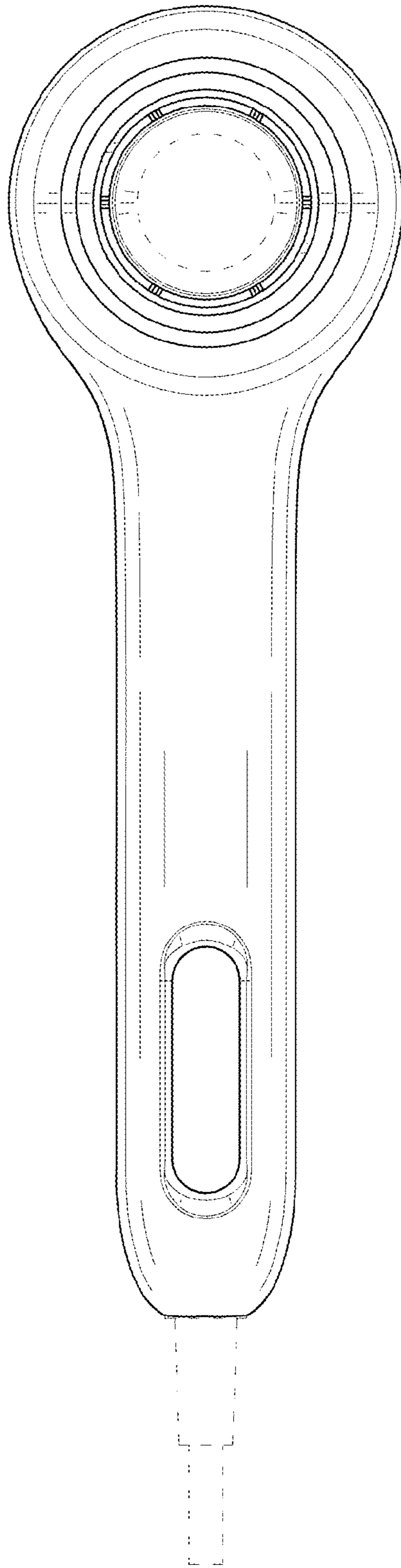


FIG.3

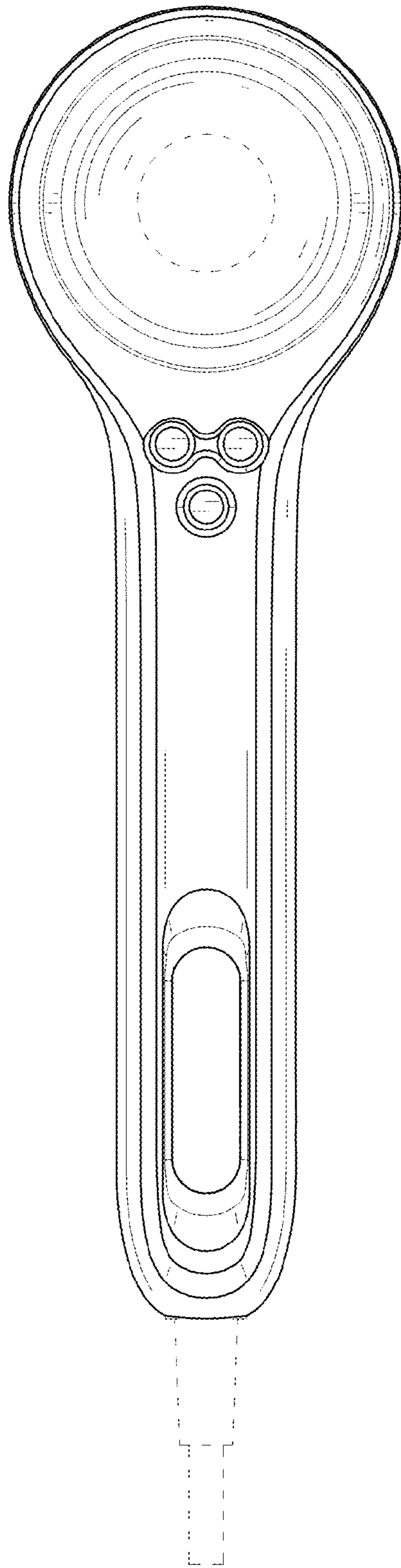


FIG.4

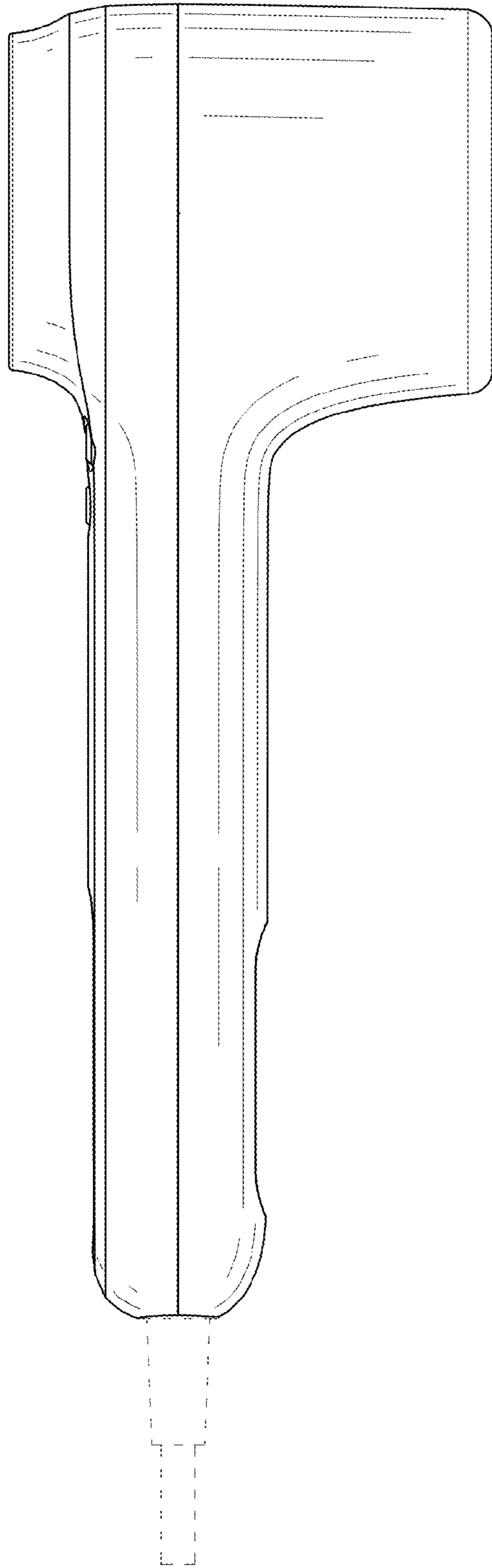


FIG.5

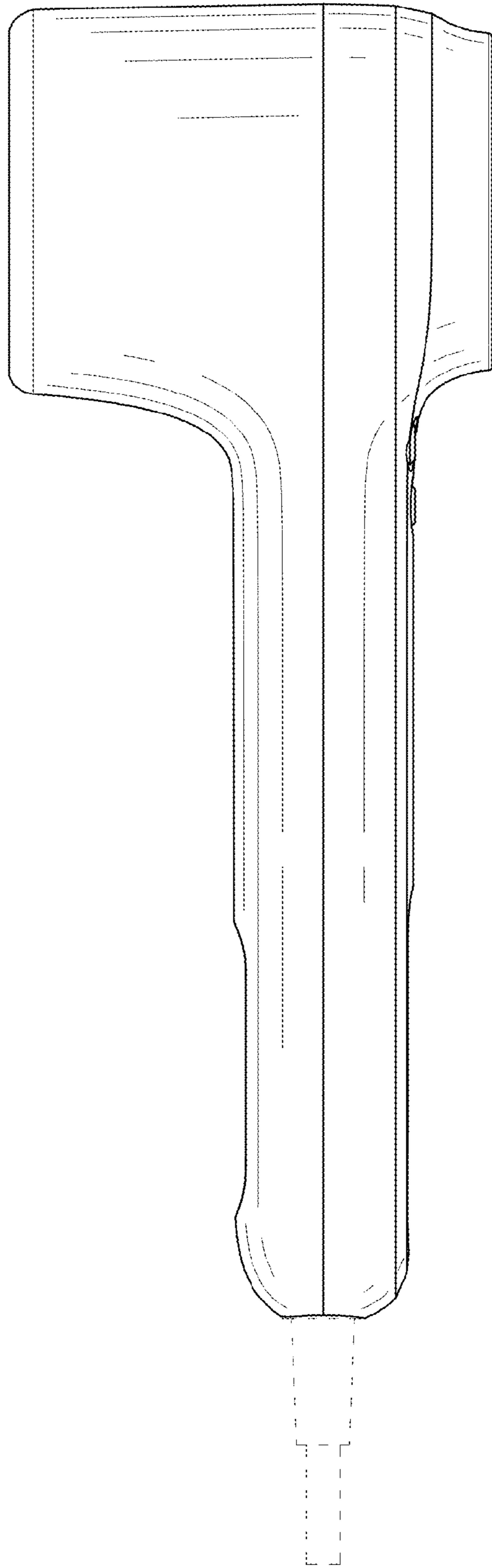


FIG.6

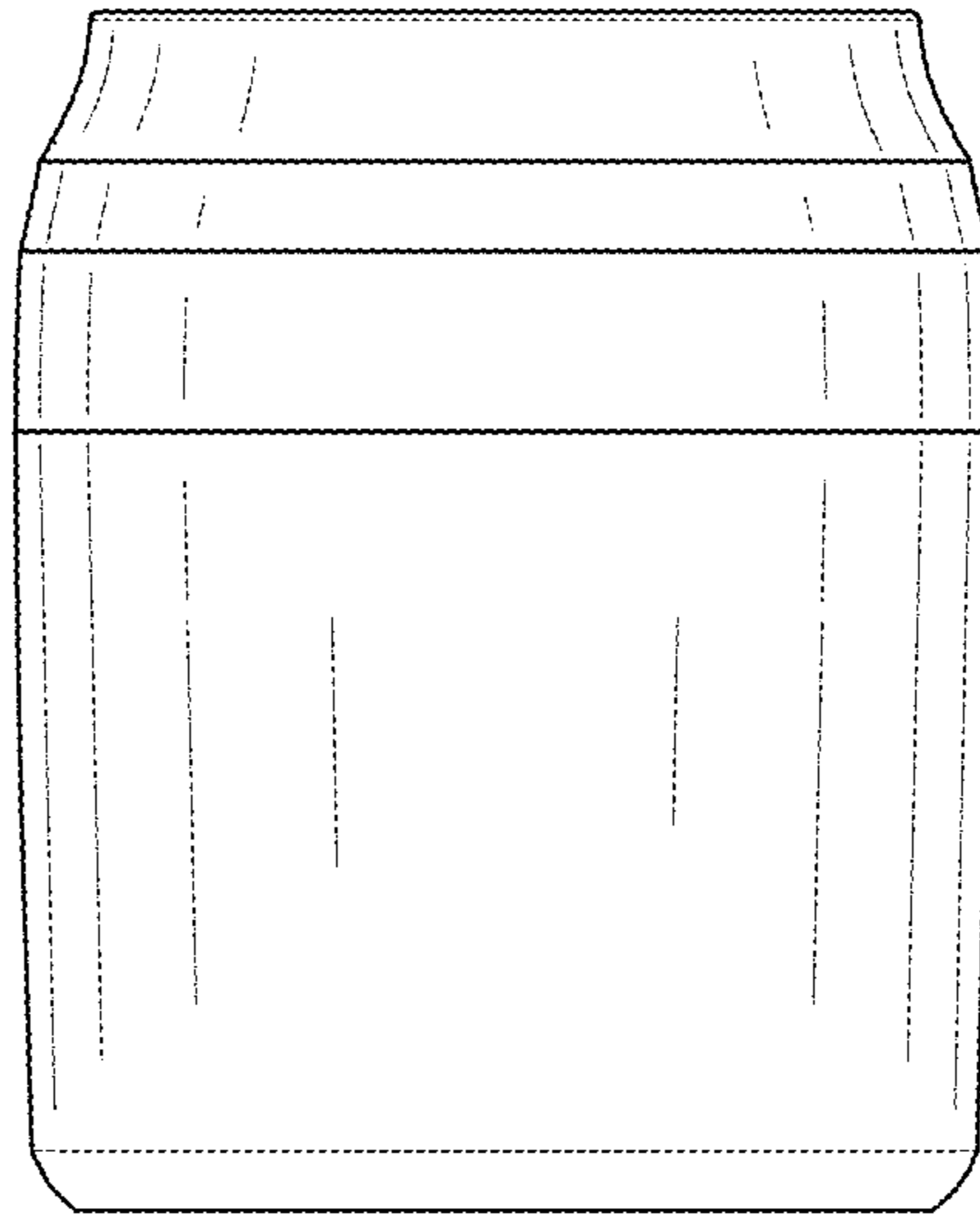


FIG. 7

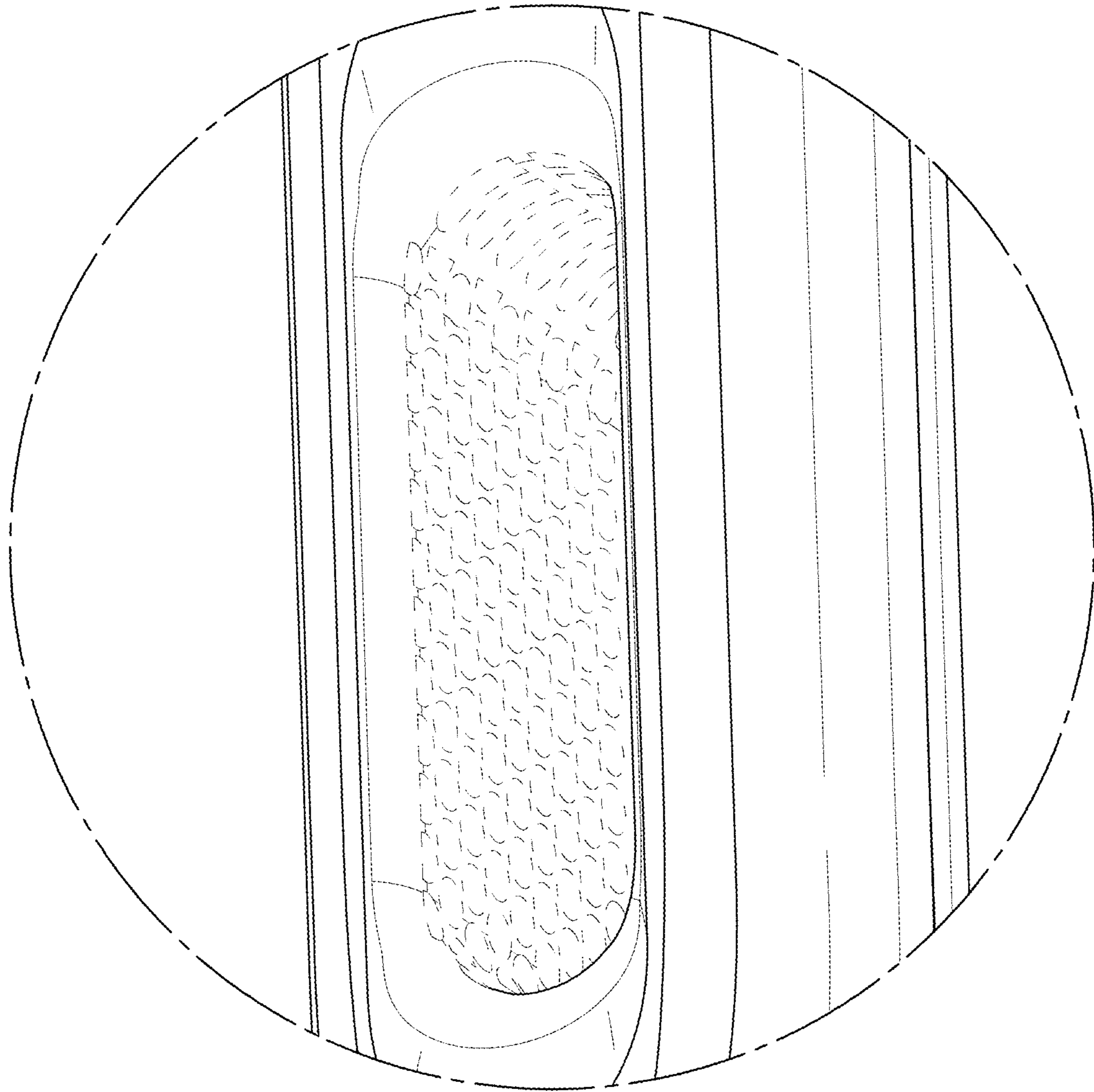


FIG.8