



US00D911603S

(12) **United States Design Patent**
Wang

(10) **Patent No.:** **US D911,603 S**

(45) **Date of Patent:** **** Feb. 23, 2021**

(54) **HAIR DRYER**

(71) Applicant: **Ying Wang**, Dongguan (CN)

(72) Inventor: **Ying Wang**, Dongguan (CN)

(73) Assignee: **Dongguan Wannida Technology Co., Ltd.**, Dongguan (CN)

(**) Term: **15 Years**

(21) Appl. No.: **29/714,296**

(22) Filed: **Nov. 22, 2019**

(51) **LOC (13) Cl.** **28-03**

(52) **U.S. Cl.**
USPC **D28/13**

(58) **Field of Classification Search**

USPC D28/12-19; D8/29.1
CPC A45D 20/00; A45D 20/04; A45D 20/06;
A45D 20/08; A45D 20/10; A45D 20/128;
F24H 3/0423; F24H 3/0488; F24H 3/002;
F24H 9/2071

See application file for complete search history.

(56) **References Cited**

U.S. PATENT DOCUMENTS

D248,048 S * 5/1978 Cousins D28/13
D253,012 S * 9/1979 Rakocy D28/13

D257,492 S * 11/1980 Cousins D28/13
D262,060 S * 11/1981 Nagelkerke D28/13
D262,062 S * 11/1981 Nagelkerke D28/13
D265,767 S * 8/1982 Stewart D28/13
D299,874 S * 2/1989 Yamagami D28/13
D301,231 S * 5/1989 Yoshiharu D14/147
D345,042 S * 3/1994 Montagnino D28/13
D425,662 S * 5/2000 Cheung D28/13

* cited by examiner

Primary Examiner — Zenia I Bennett

(57) **CLAIM**

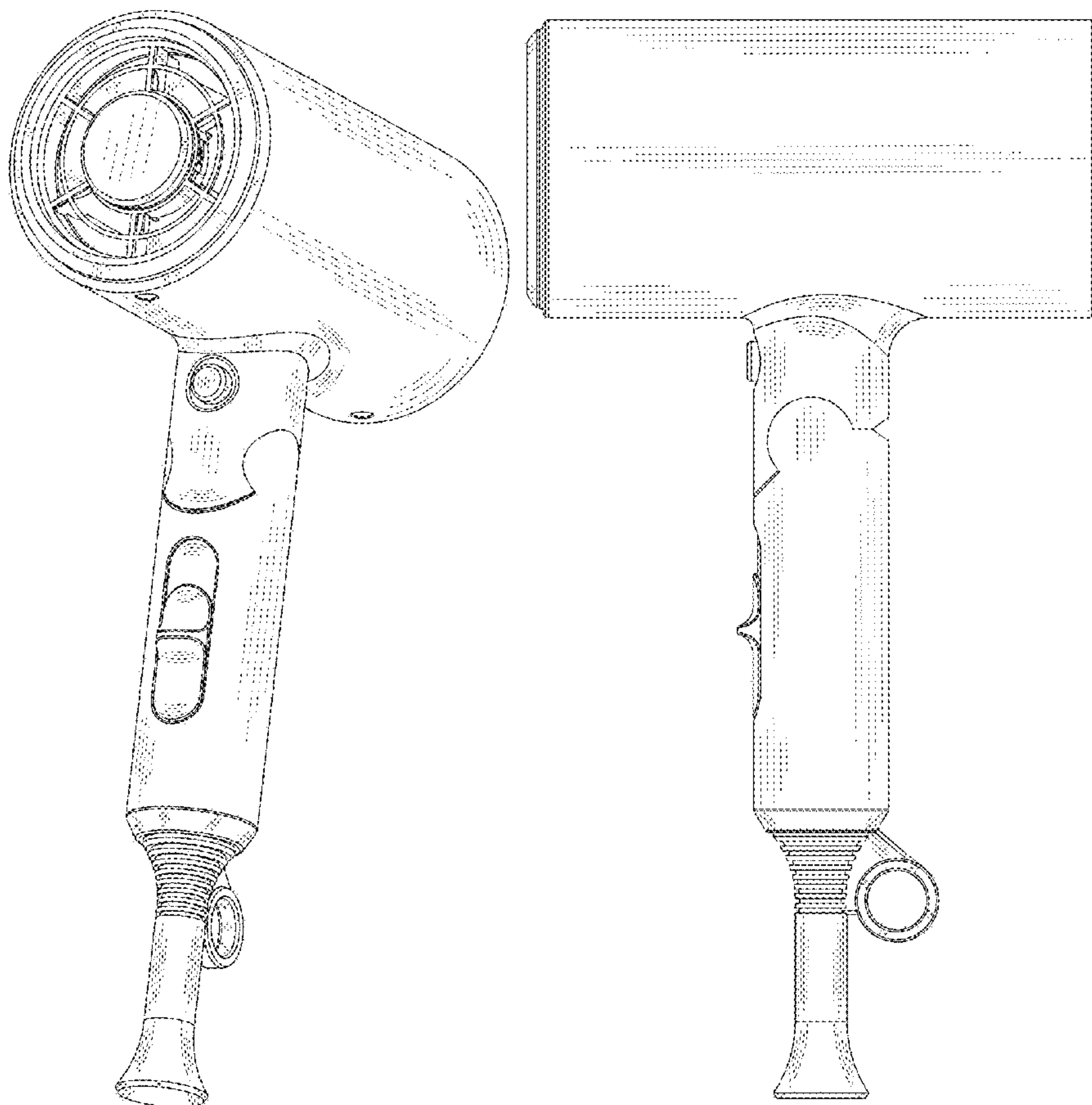
The ornamental design for a hair dryer, as shown and described.

DESCRIPTION

FIG. 1 is a front, right and bottom perspective view of a hair dryer showing my new design;
FIG. 2 is a rear, left and top perspective view thereof;
FIG. 3 is a front elevation view thereof;
FIG. 4 is a rear elevation view thereof;
FIG. 5 is a left side elevation view thereof;
FIG. 6 is a right side elevation view thereof;
FIG. 7 is a top plan view thereof; and,
FIG. 8 is a bottom plan view thereof.

The broken lines depict portions of the hair dryer that form no part of the claimed design.

1 Claim, 8 Drawing Sheets



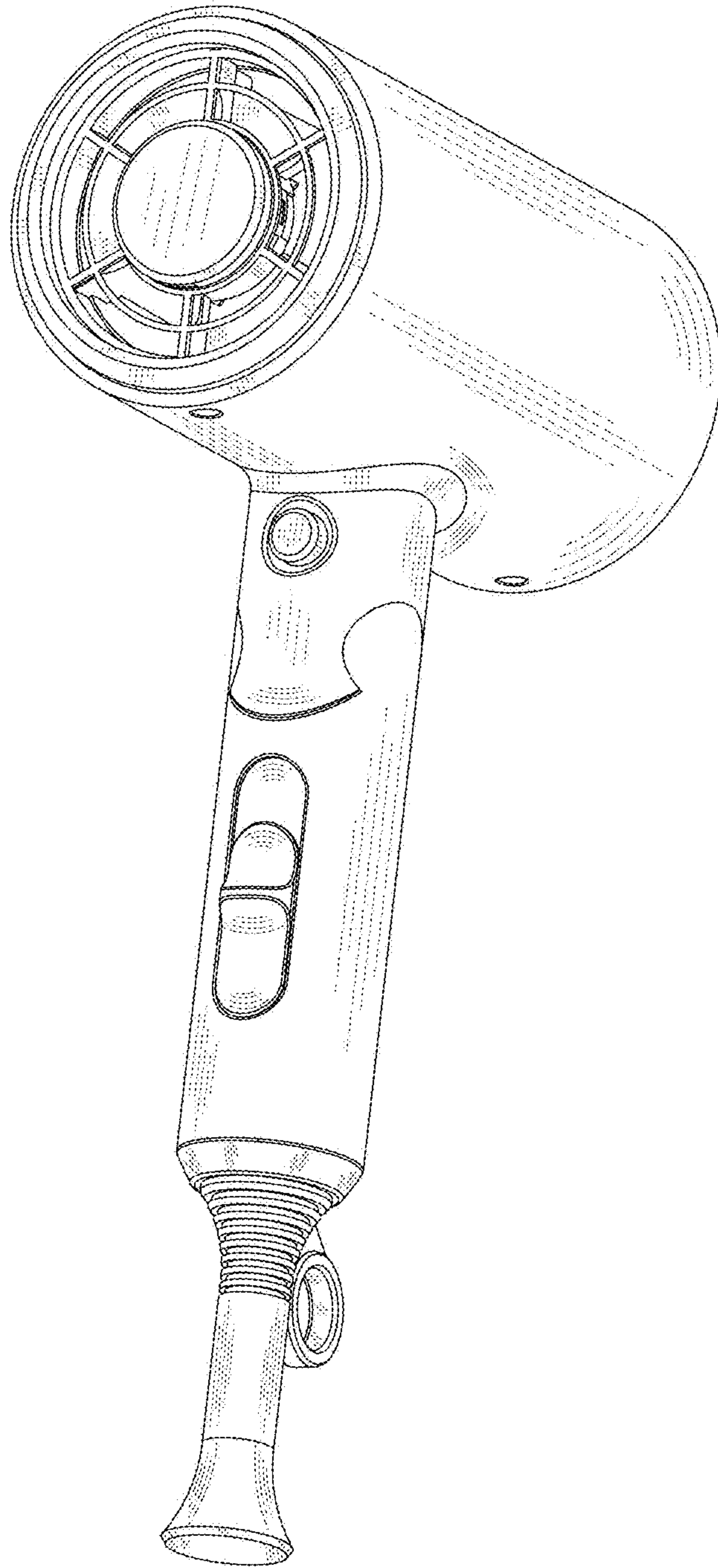


FIG. 1

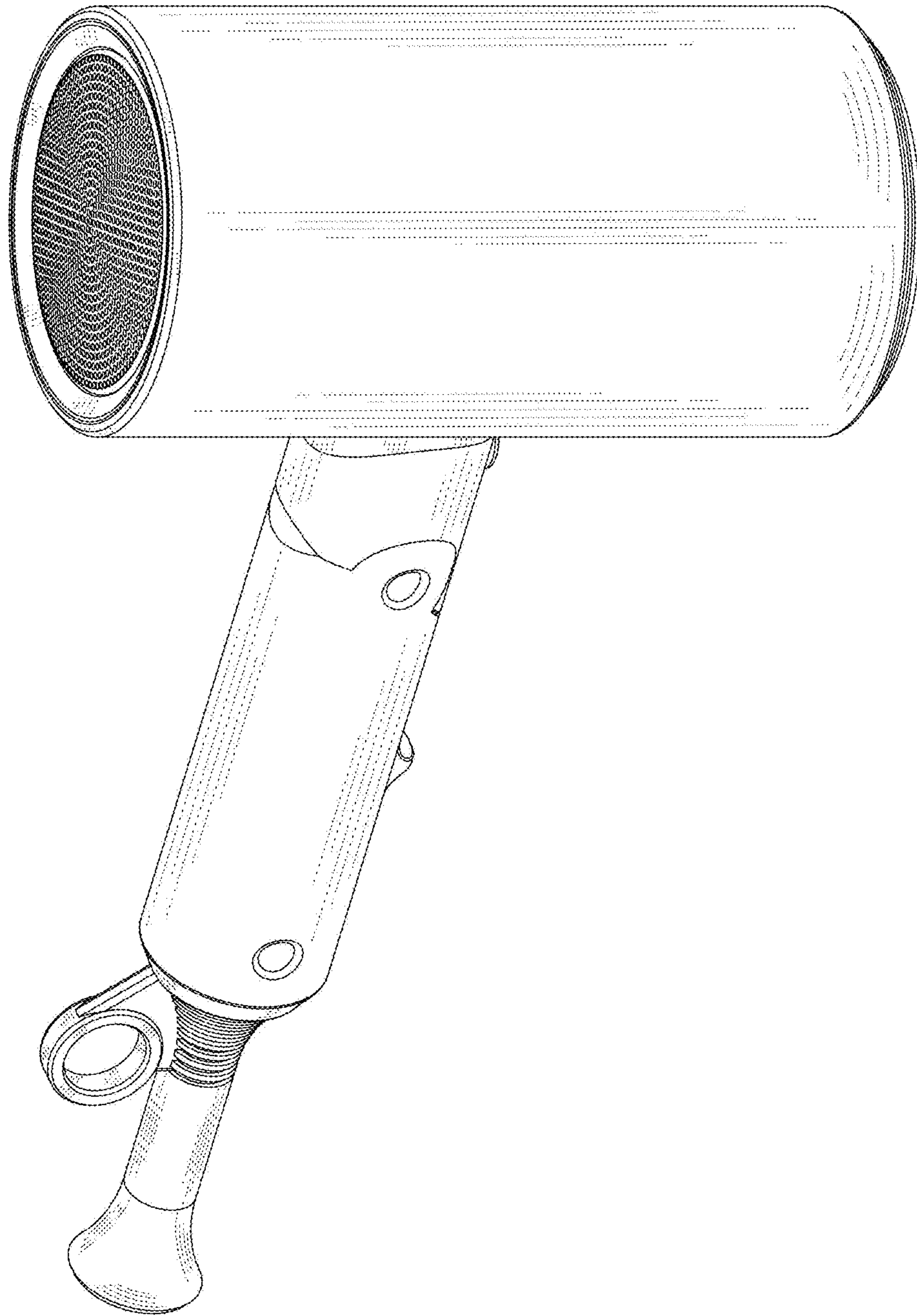


FIG.2

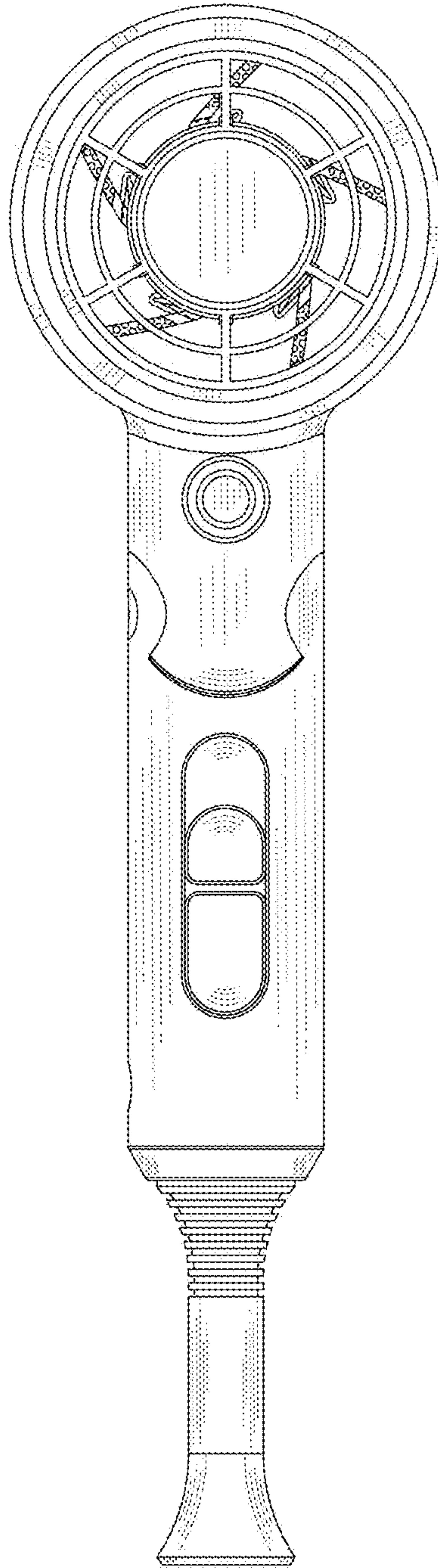


FIG.3

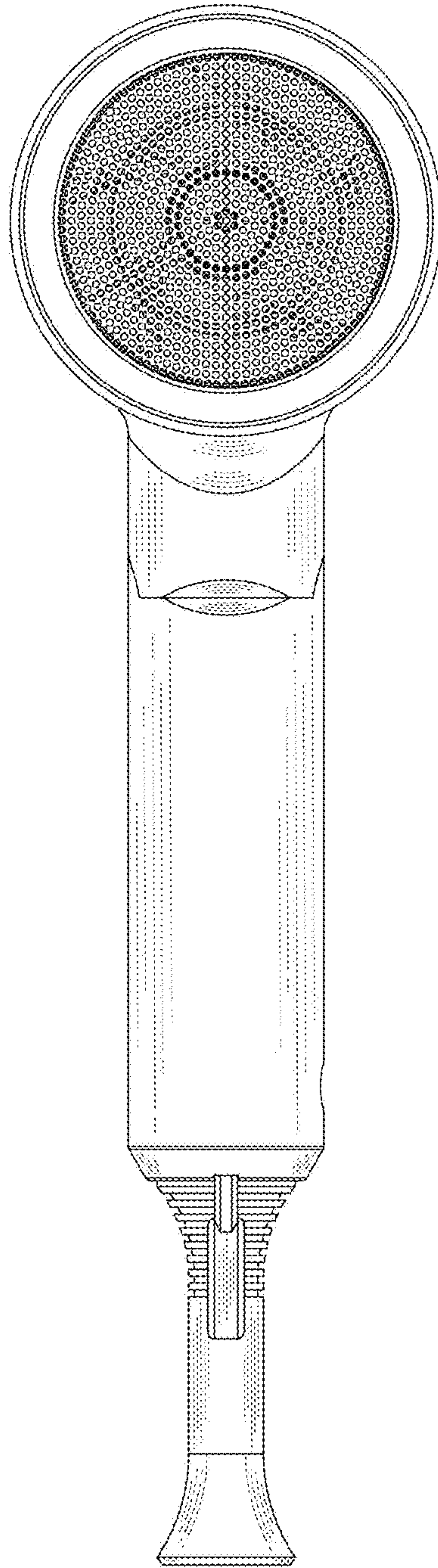


FIG.4

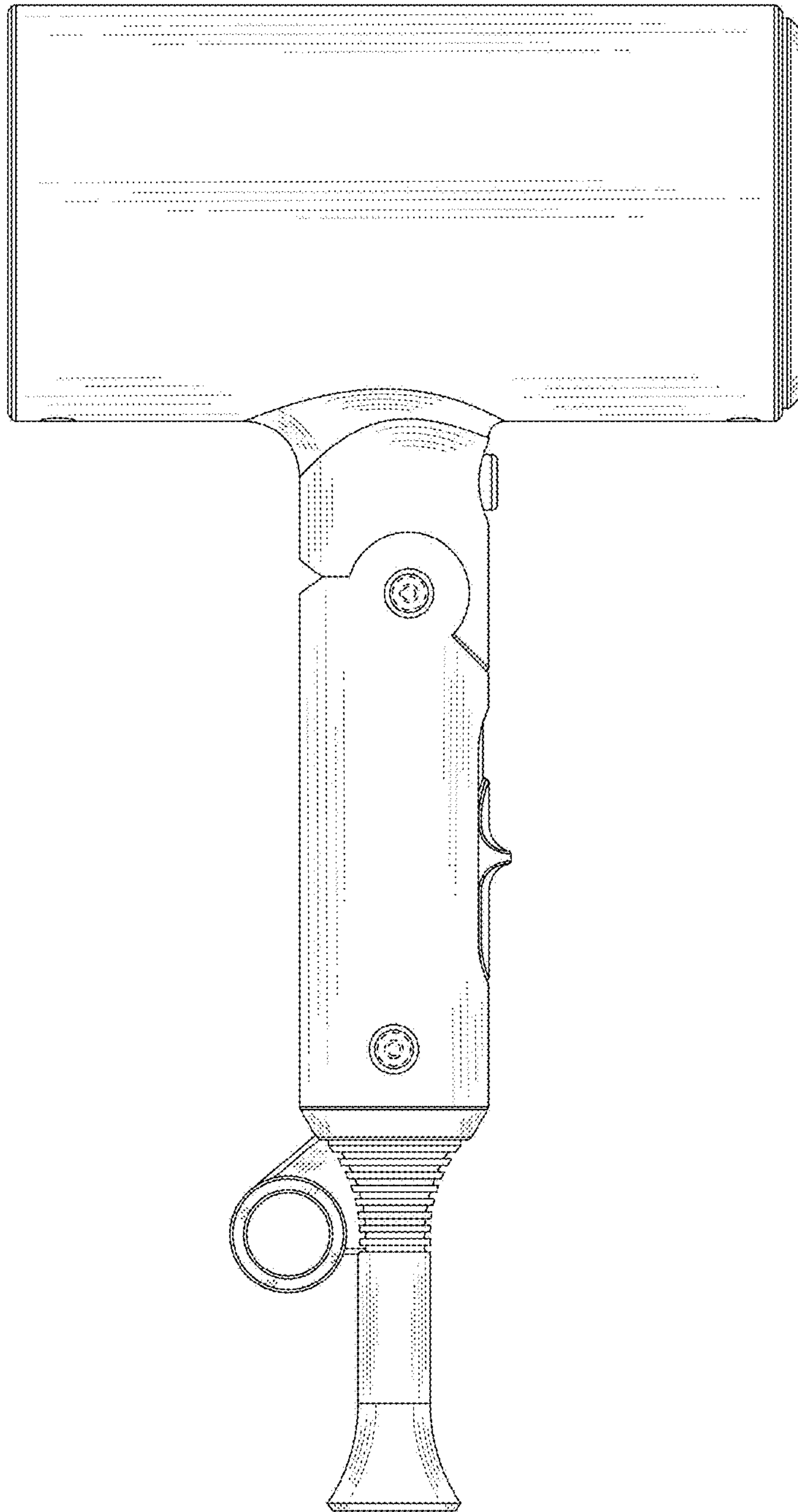


FIG. 5

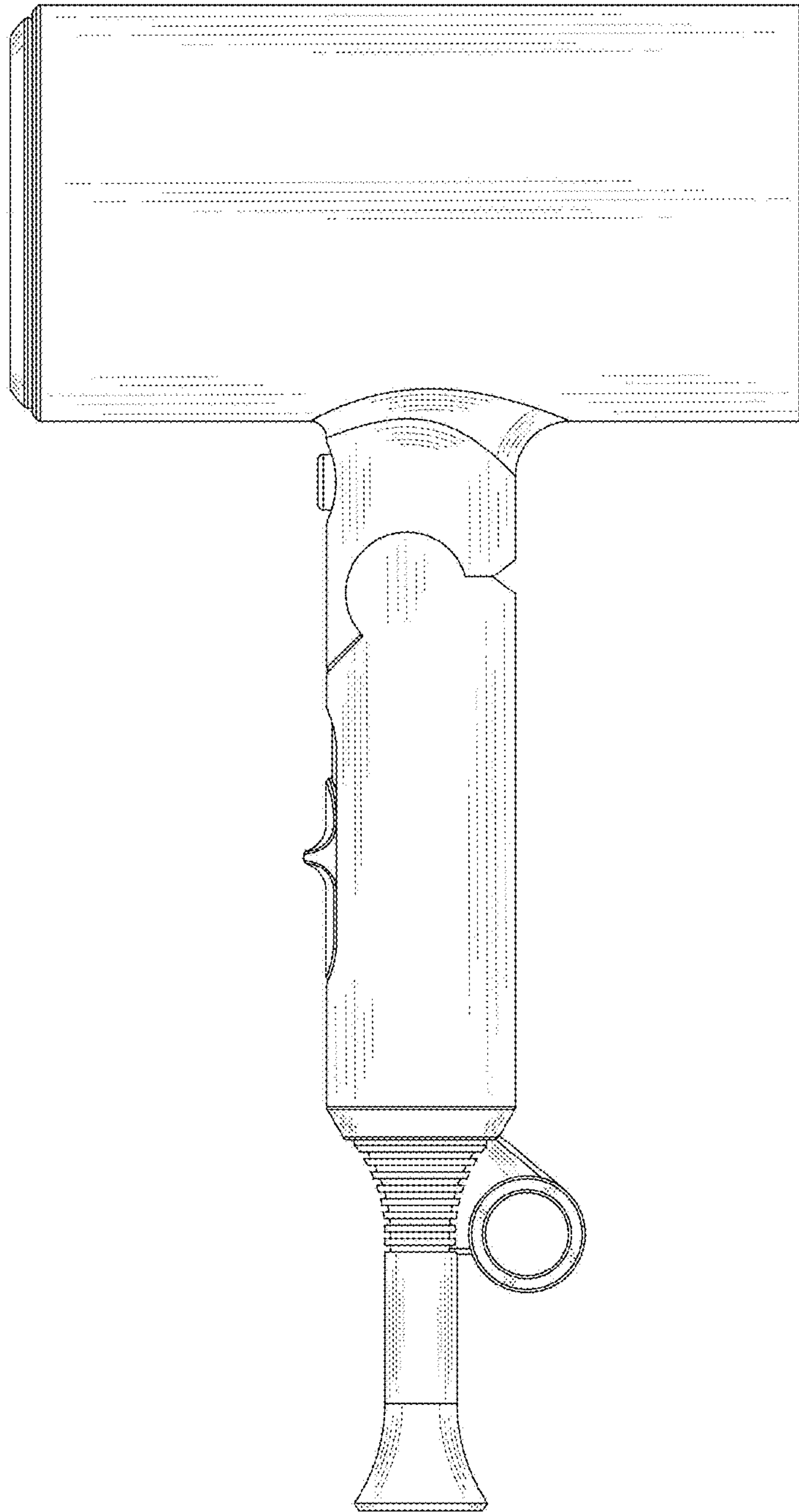


FIG. 6

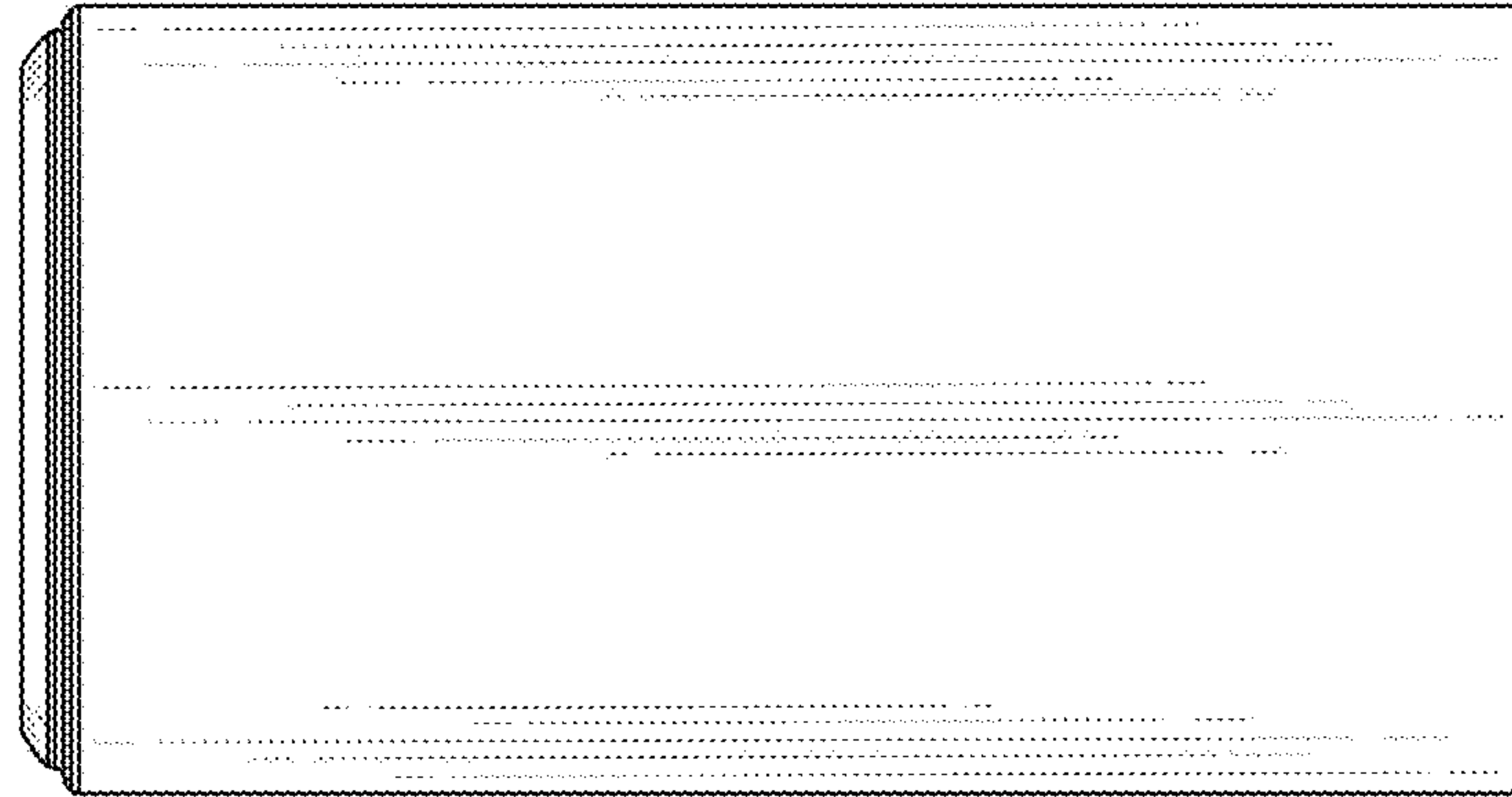


FIG. 7

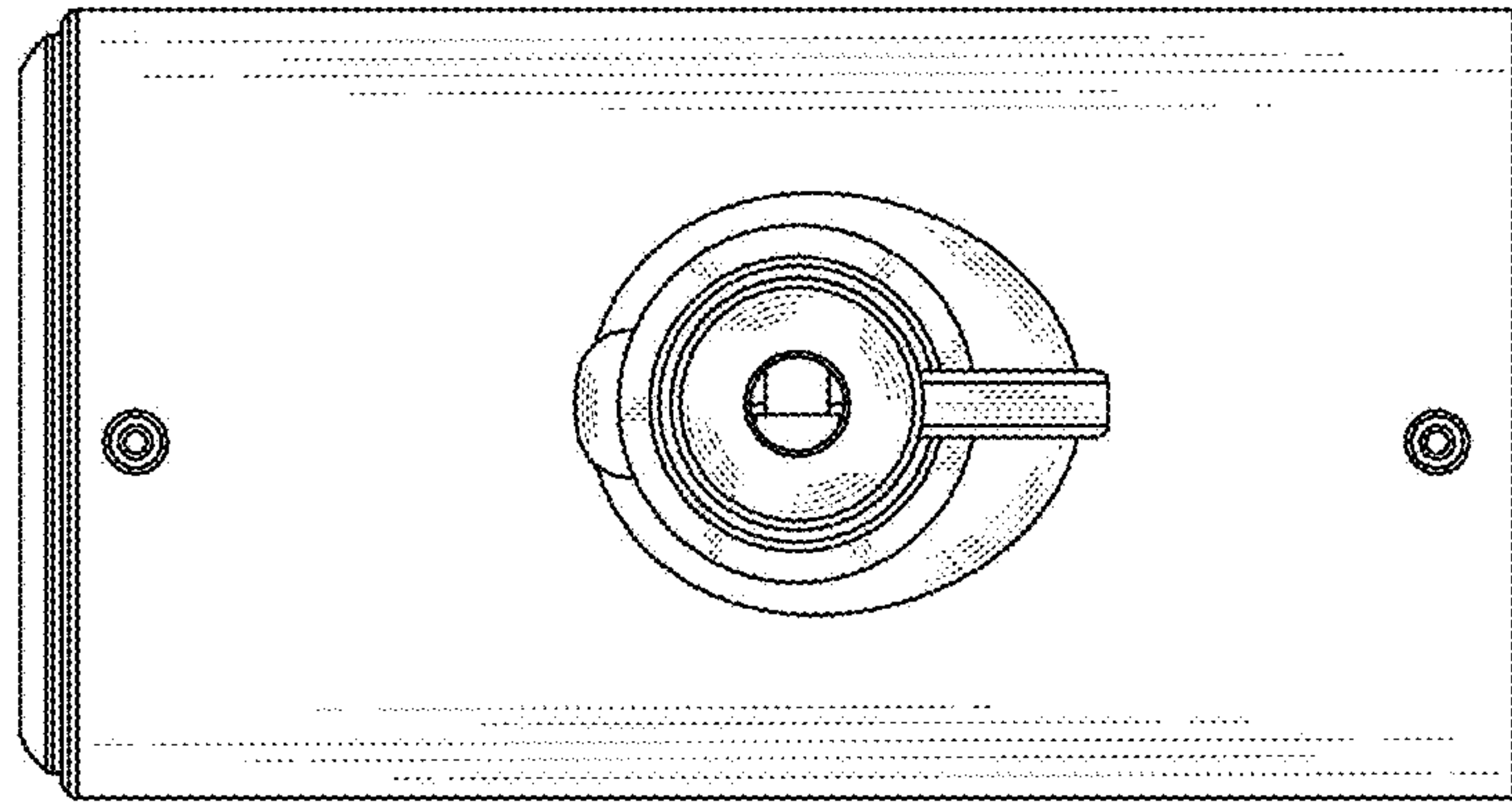


FIG. 8