



US00D911602S

(12) **United States Design Patent** (10) **Patent No.:** **US D911,602 S**  
**Gebhard et al.** (45) **Date of Patent:** **\*\* Feb. 23, 2021**

(54) **HAIR DRYER**  
(71) Applicant: **Albert W. Gebhard**, Denver, CO (US)  
(72) Inventors: **Albert W. Gebhard**, Denver, CO (US);  
**John Anthony Gennaro**, North Bay  
Village, FL (US)  
(73) Assignee: **Albert W. Gebhard**, Denver, CO (US)  
(\*\*) Term: **15 Years**

(21) Appl. No.: **29/669,602**  
(22) Filed: **Nov. 9, 2018**  
(51) **LOC (13) Cl.** ..... **28-03**  
(52) **U.S. Cl.**  
USPC ..... **D28/13**  
(58) **Field of Classification Search**  
USPC ..... D28/10, 11, 12, 13, 14, 15, 16, 17, 18,  
D28/19, 20, 39, 41, 42, 73, 76, 77, 78,  
D28/79, 81, 82, 83, 84, 91, 91.2, 92, 93  
CPC ..... A45D 20/00; A45D 20/04; A45D 20/06;  
A45D 20/08; A45D 20/10; A45D 20/12;  
A45D 20/122; A45D 20/124; A45D  
20/18; A45D 20/48; A45D 20/52  
See application file for complete search history.

(56) **References Cited**  
U.S. PATENT DOCUMENTS

4,309,595	A	1/1982	Long et al.	
D277,613	S *	2/1985	Rittenhouse	D28/13
D283,259	S *	4/1986	Stansbury, Jr.	D28/13
5,956,863	A	9/1999	Allen	
D429,374	S *	8/2000	Muller	D28/18
D518,919	S *	4/2006	Parodi	D28/13
D586,036	S *	2/2009	Petrucelli, Jr.	D28/13
D593,709	S *	6/2009	Yu	D28/13
D600,404	S *	9/2009	Leung	D28/13
D604,901	S *	11/2009	Yu	D28/13
D605,354	S *	12/2009	Keong	D28/13
D617,047	S *	6/2010	Kim	D28/13

8,146,264	B1	4/2012	Stefano et al.	
D690,054	S *	9/2013	Shami	D28/13
D758,657	S *	6/2016	Hary	D28/13
9,526,311	B1	12/2016	Schaefer et al.	
D841,881	S *	2/2019	Lee	D28/13
D849,984	S *	5/2019	Morrill	D26/73
D865,284	S *	10/2019	Janowick	D28/13
D867,658	S *	11/2019	Huang	D28/13
2014/0144459	A1 *	5/2014	Fung	A45D 20/50 132/271
2019/0313761	A1 *	10/2019	Gebhard	A45D 20/122

OTHER PUBLICATIONS

U.S. Appl. No. 62/658,241, filed Apr. 16, 2018, applicant/inventor Albert W. Gebhard.

\* cited by examiner

*Primary Examiner* — Dana K Weiland  
*Assistant Examiner* — Messina L Smith  
(74) *Attorney, Agent, or Firm* — Polson Intellectual  
Property Law, PC; Christopher Sylvain

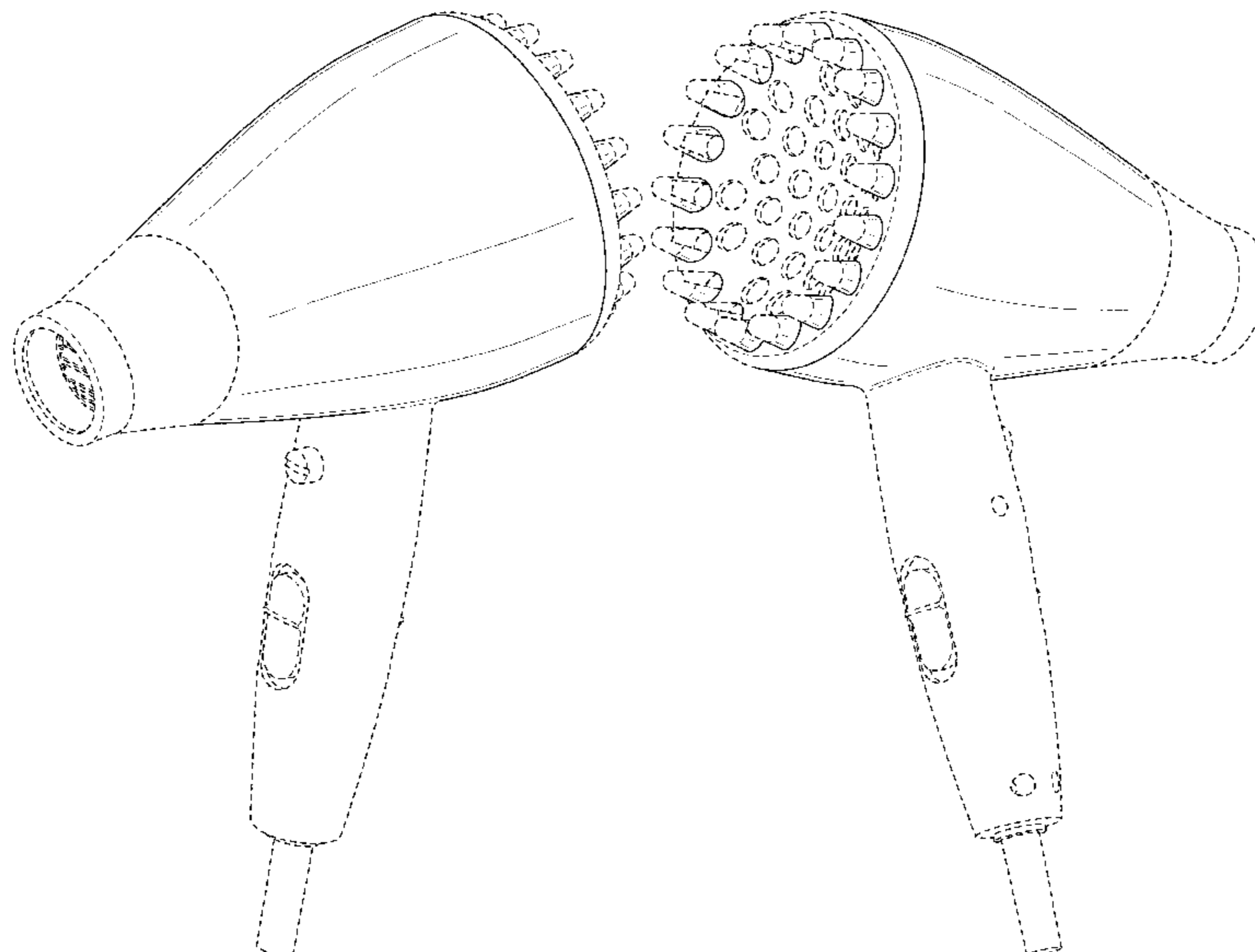
(57) **CLAIM**

The ornamental design for a hair dryer, as shown and described.

**DESCRIPTION**

FIG. 1 is a front perspective view of a hair dryer showing the new design;  
FIG. 2 is a back perspective view of FIG. 1;  
FIG. 3 is a front view of FIG. 1;  
FIG. 4 is a back view of FIG. 1;  
FIG. 5 is a right side view of FIG. 1;  
FIG. 6 is a left side view of FIG. 1;  
FIG. 7 is a top view of FIG. 1; and,  
FIG. 8 is a bottom view of FIG. 1.  
The broken lines in the drawings depict portions of the hair dryer that form no part of the claimed design.

**1 Claim, 8 Drawing Sheets**



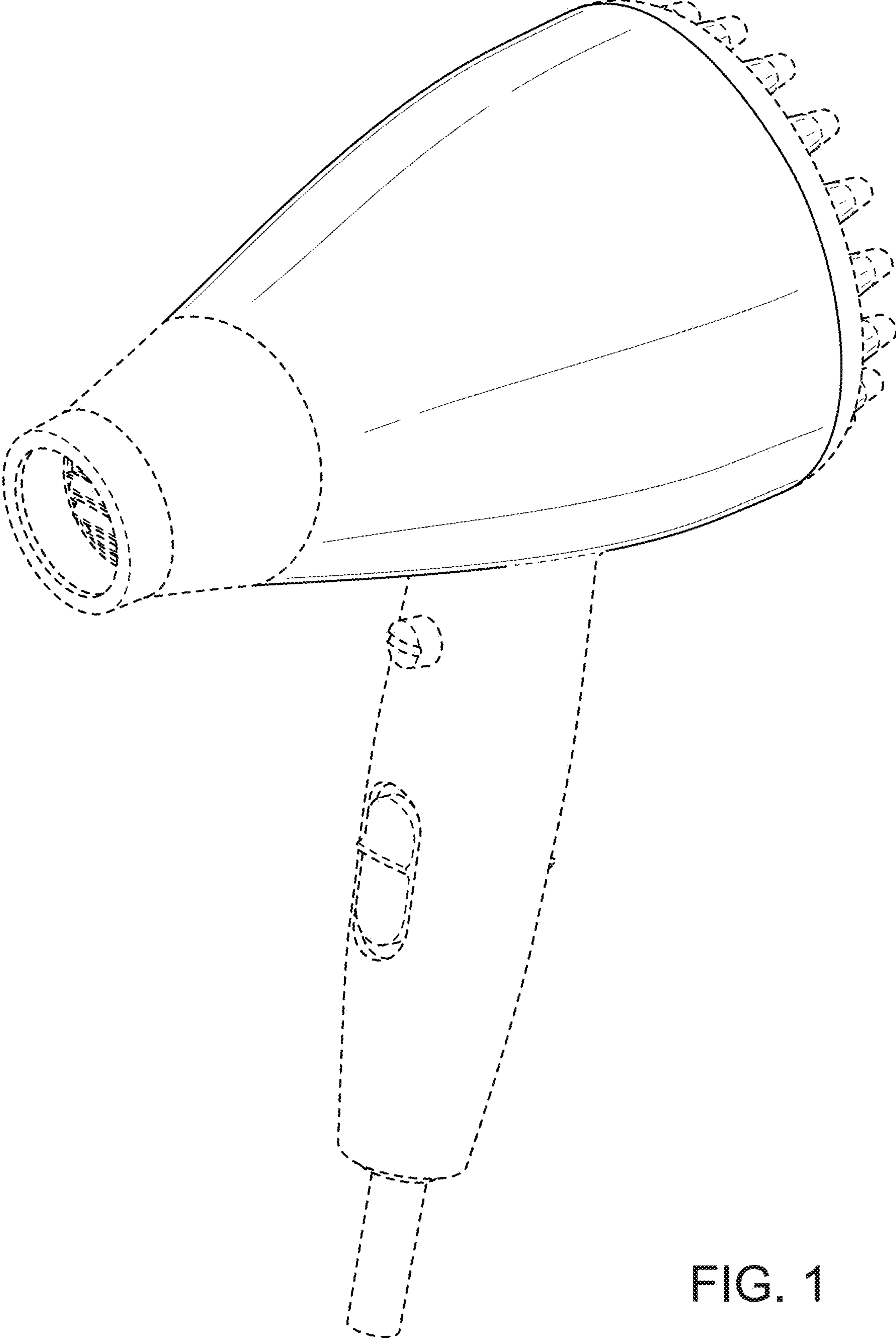


FIG. 1

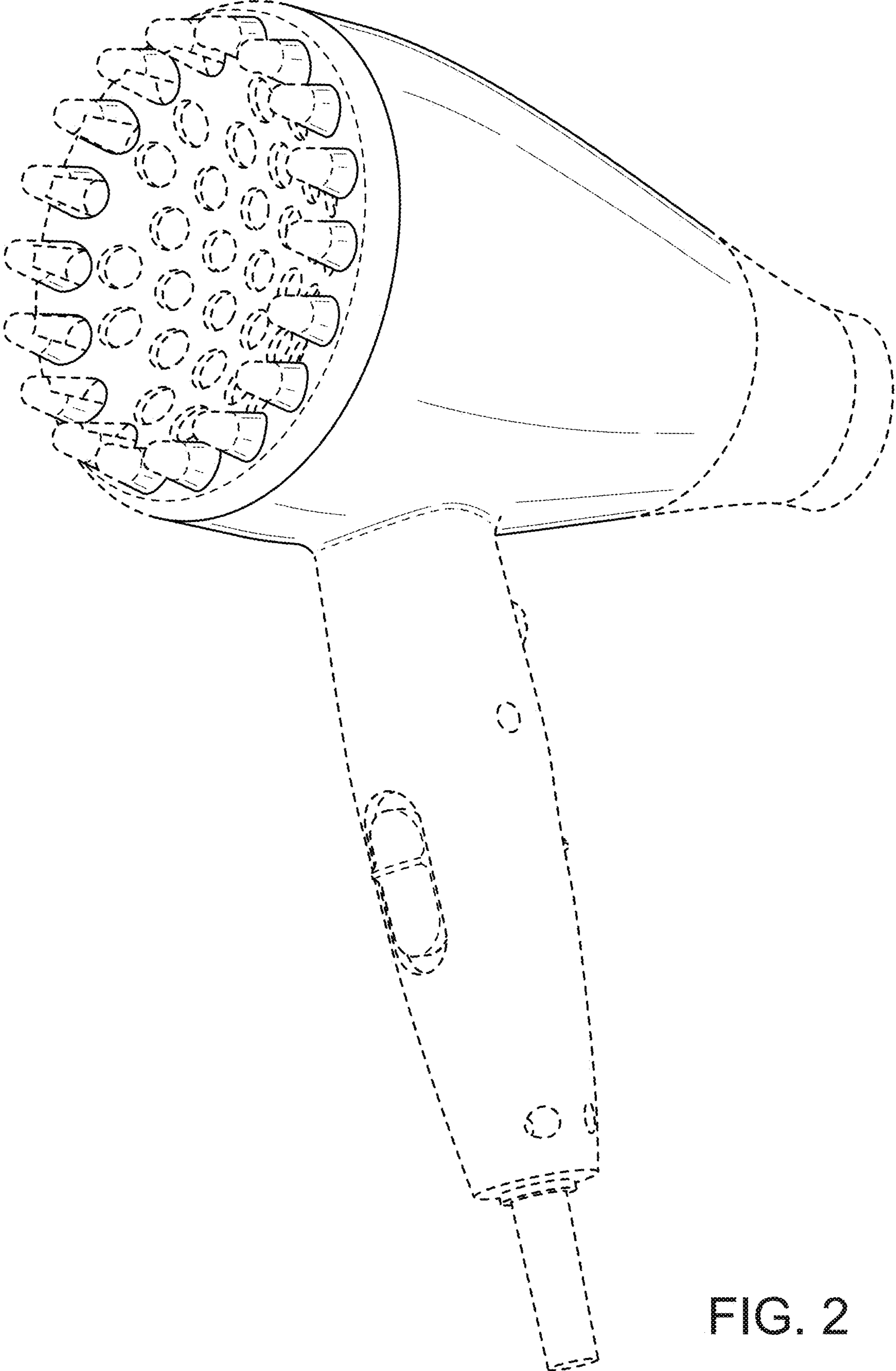


FIG. 2

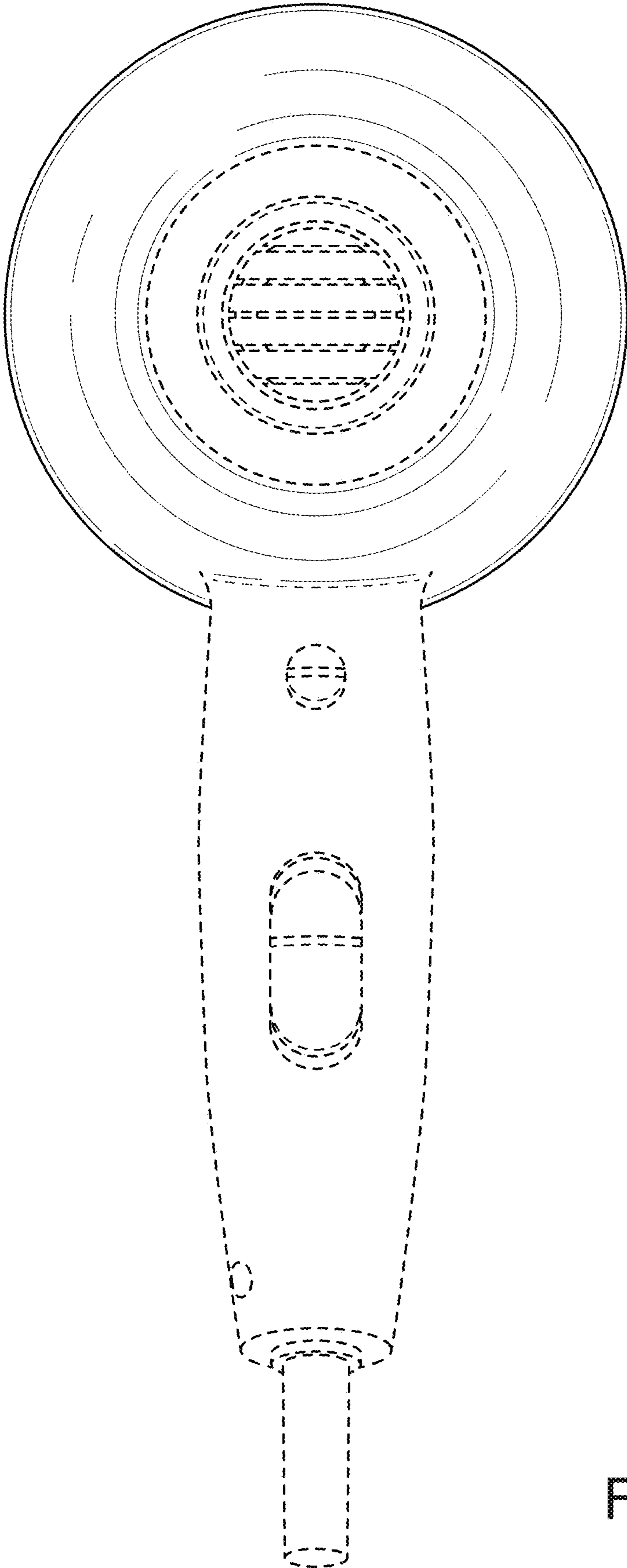


FIG. 3



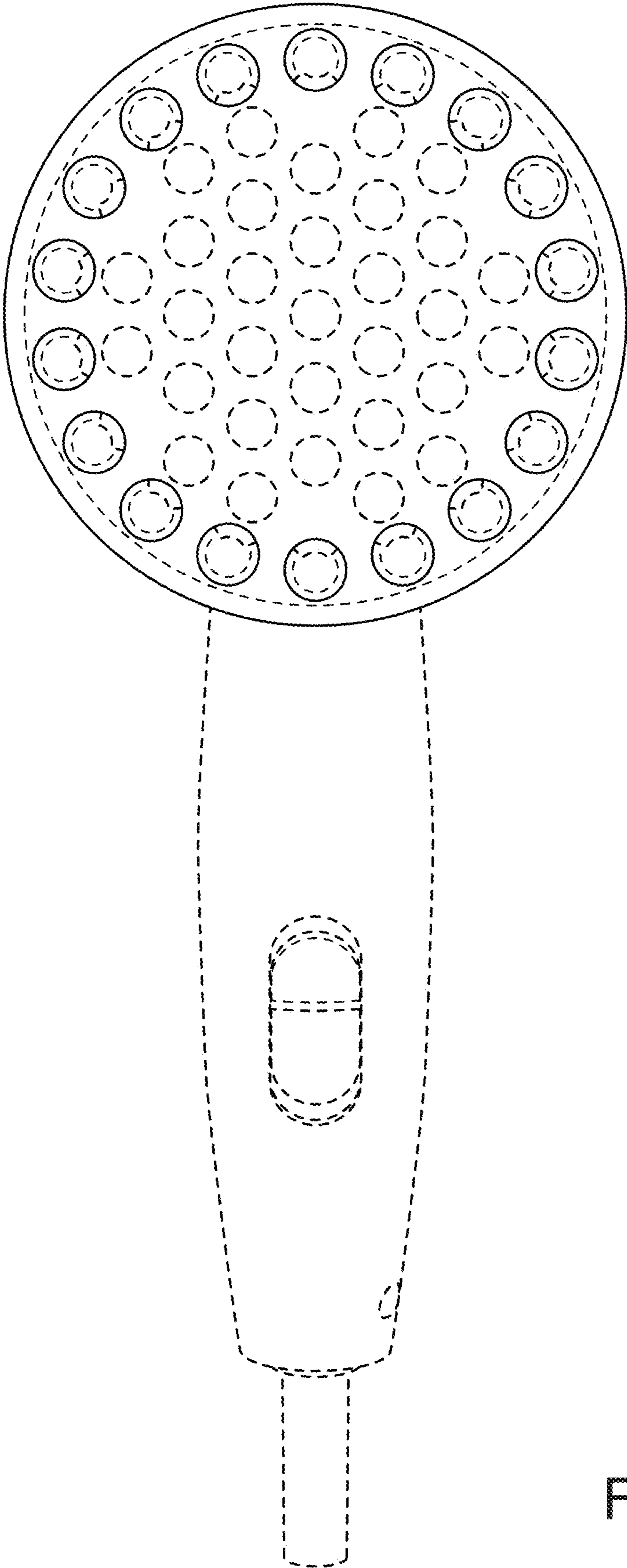


FIG. 4

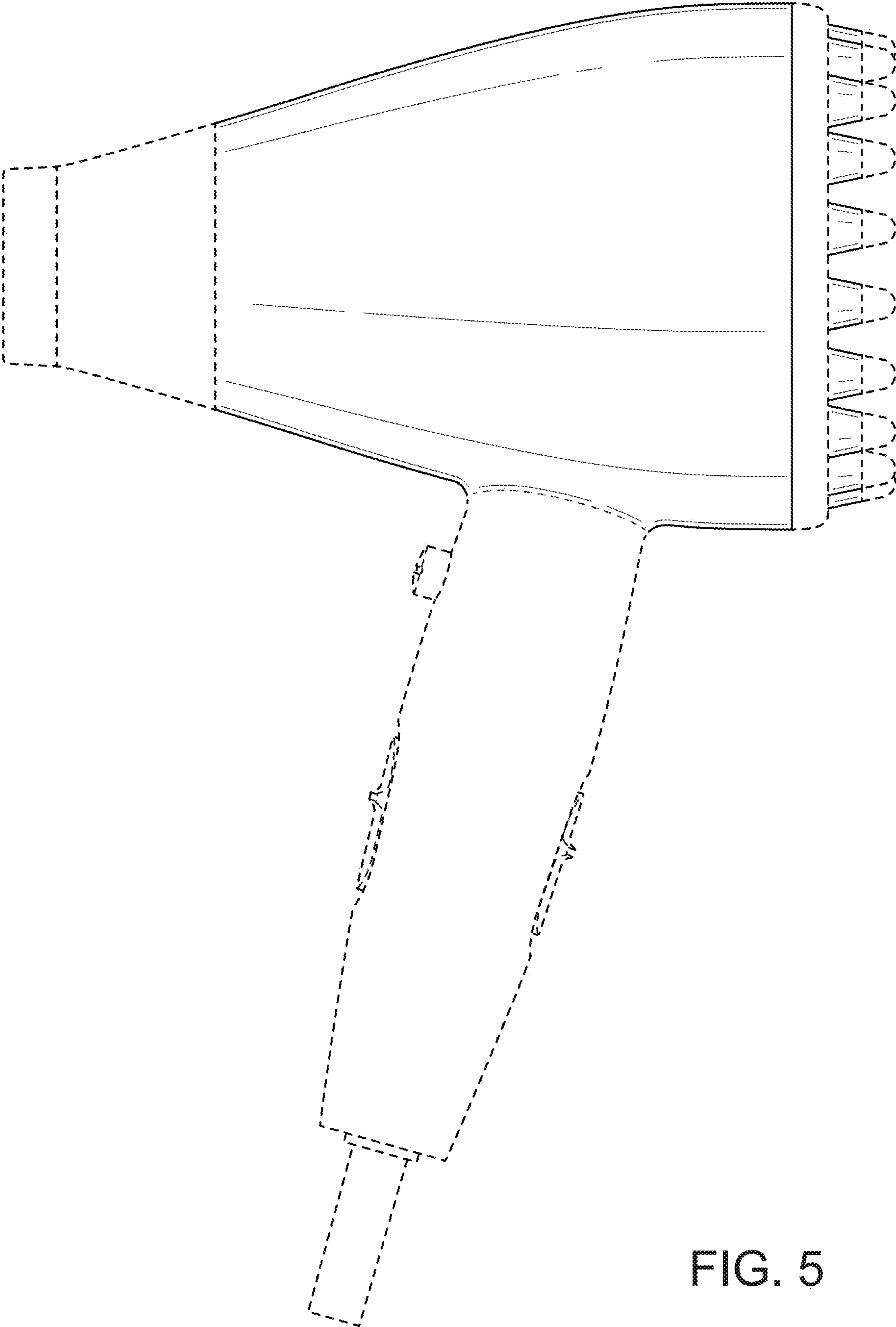


FIG. 5

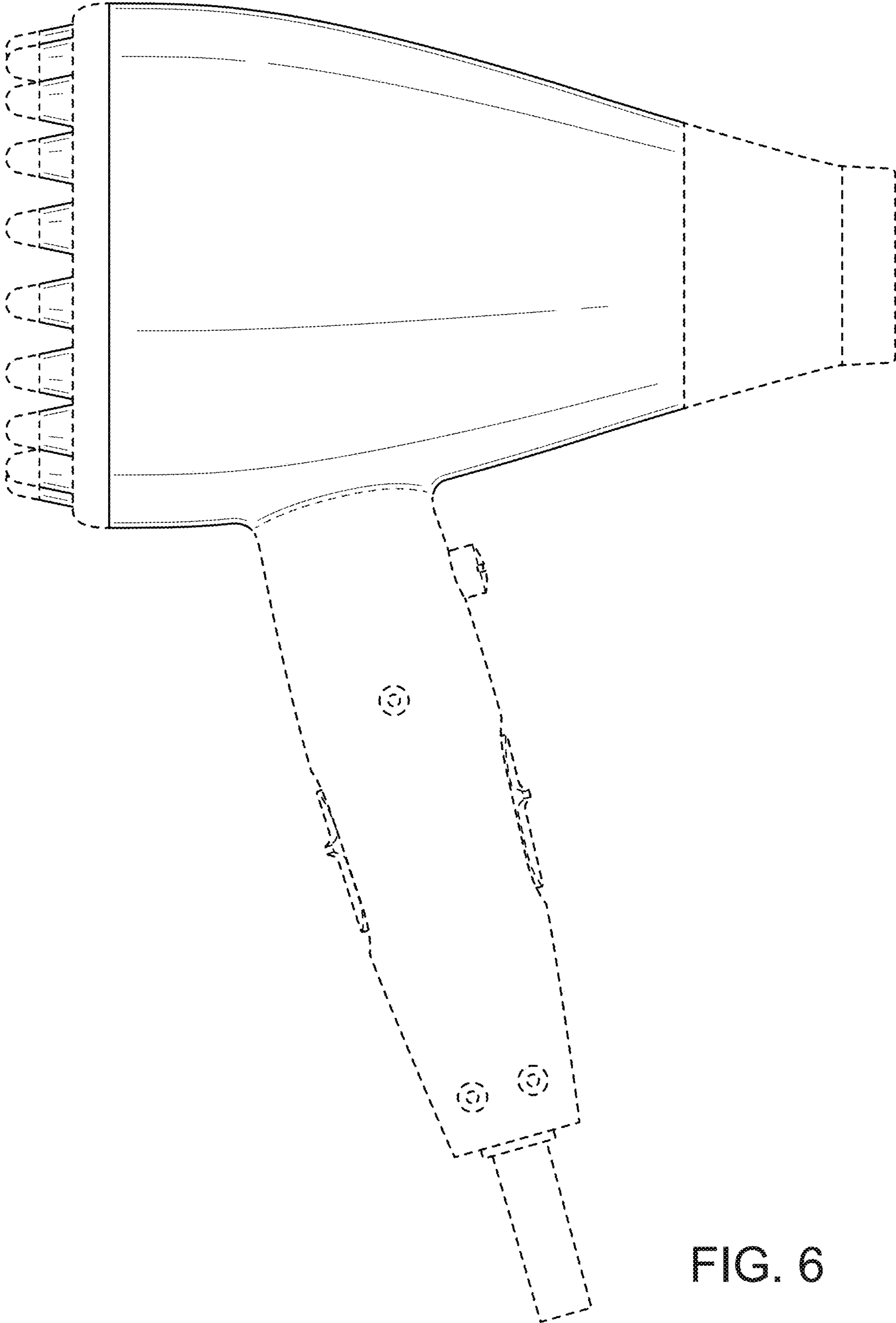


FIG. 6

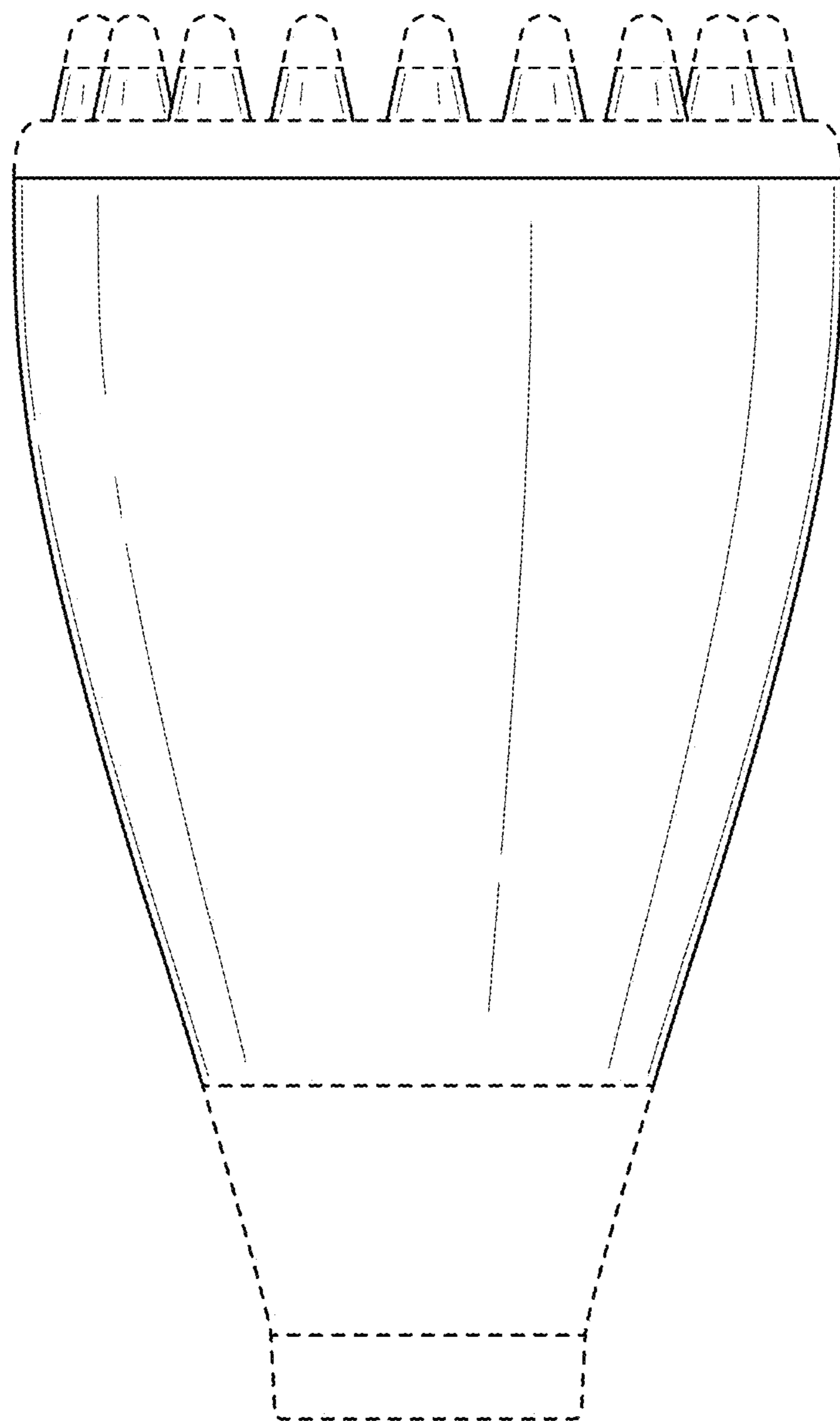


FIG. 7



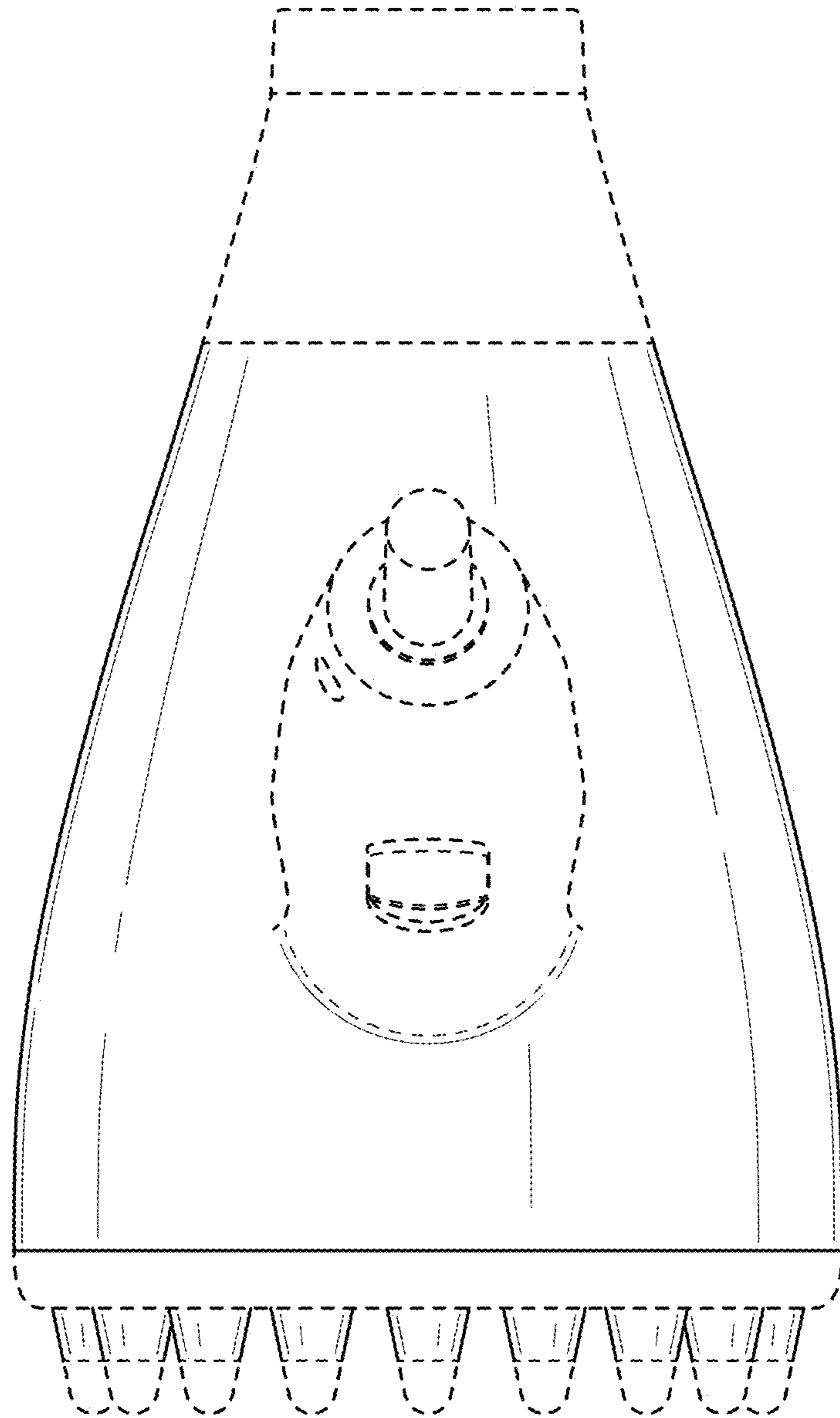


FIG. 8