



US00D911600S

(12) **United States Design Patent** (10) **Patent No.:** **US D911,600 S**  
**Chen** (45) **Date of Patent:** **\*\* Feb. 23, 2021**

(54) **ATOMIZER**  
(71) Applicant: **SHENZHEN SMOORE TECHNOLOGY LIMITED,**  
Guangdong (CN)  
(72) Inventor: **Shouhao Chen,** Guangdong (CN)  
(73) Assignee: **SHENZHEN SMOORE TECHNOLOGY LIMITED,**  
Guangdong (CN)  
(\*\*) Term: **15 Years**

D884,267 S \* 5/2020 Wang ..... D27/162  
D887,630 S \* 6/2020 Lai ..... D27/162  
D887,631 S \* 6/2020 Lai ..... D27/162  
D889,736 S \* 7/2020 Han ..... D27/162  
D890,417 S \* 7/2020 Austin ..... D27/162  
D903,936 S \* 12/2020 He ..... D27/162  
D904,680 S \* 12/2020 Pan ..... D27/162

\* cited by examiner

*Primary Examiner* — Cathron C Brooks  
*Assistant Examiner* — Keith J Wilson

(74) *Attorney, Agent, or Firm* — Ladas & Parry LLP

(21) Appl. No.: **29/718,853**  
(22) Filed: **Dec. 30, 2019**  
(30) **Foreign Application Priority Data**

Sep. 16, 2019 (CN) ..... 201930507632.0

(51) **LOC (13) Cl.** ..... **27-02**

(52) **U.S. Cl.**  
USPC ..... **D27/162; D23/360**

(58) **Field of Classification Search**  
USPC ..... D23/356, 359–360, 366; D27/100–101,  
D27/162, 163–165, 172, 174, 175, 183,  
D27/185–194  
CPC ..... A61M 11/005; A61M 15/0085;  
A61M 11/00; A61M 16/14; A61M 11/02;  
A61M 15/00; A61M 15/0001; A61M  
15/001; A61M 15/06; A24F 47/002; A24F  
47/006; A24F 47/008  
See application file for complete search history.

(56) **References Cited**  
U.S. PATENT DOCUMENTS

D737,419 S \* 8/2015 Emarlou ..... D23/360  
D881,460 S \* 4/2020 Han ..... D27/162

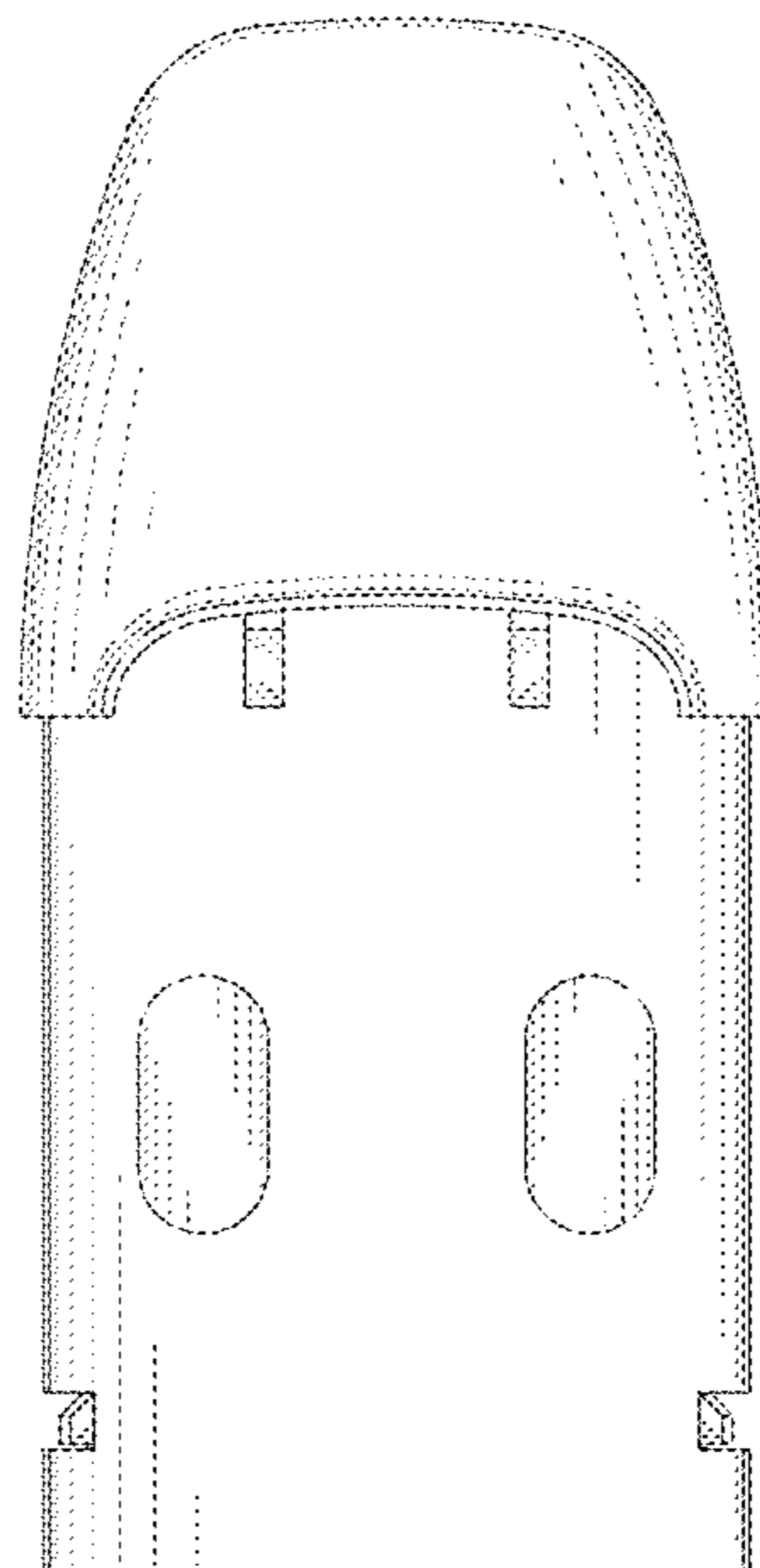
(57) **CLAIM**

The ornamental design for an atomizer, as shown and described.

**DESCRIPTION**

FIG. 1 is a front elevational view of an atomizer showing my new design;  
FIG. 2 is a rear elevational view thereof;  
FIG. 3 is a left side elevational view thereof;  
FIG. 4 is a right side elevational view thereof;  
FIG. 5 is a top plan view thereof;  
FIG. 6 is a bottom plan view thereof;  
FIG. 7 is a front, right, and top perspective view thereof; and,  
FIG. 8 is a rear, left, and bottom perspective view thereof.  
The broken lines in the figures are included for the purpose of illustrating portions of the article which form no part of the claimed design.

**1 Claim, 8 Drawing Sheets**



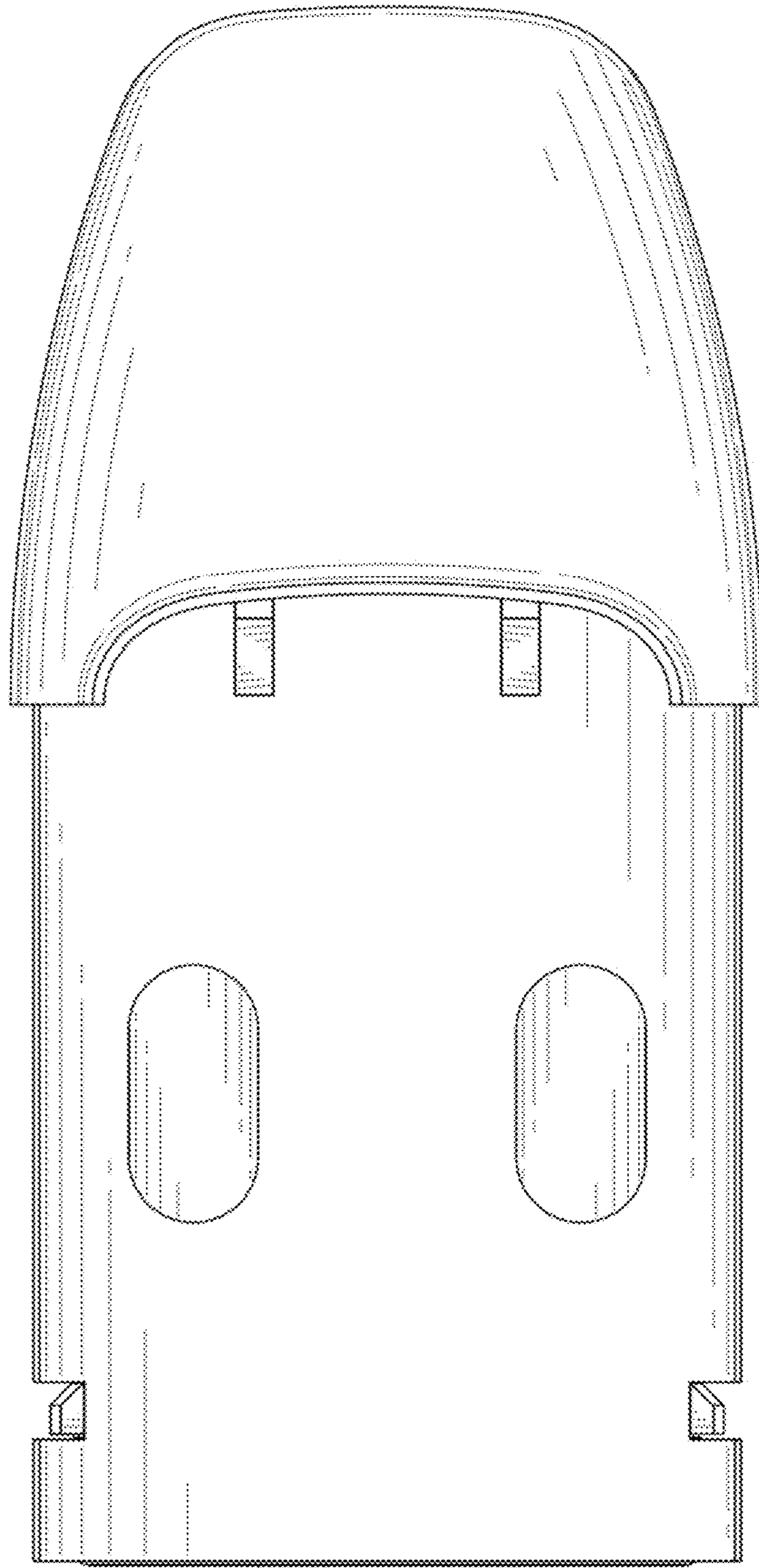


FIG. 1

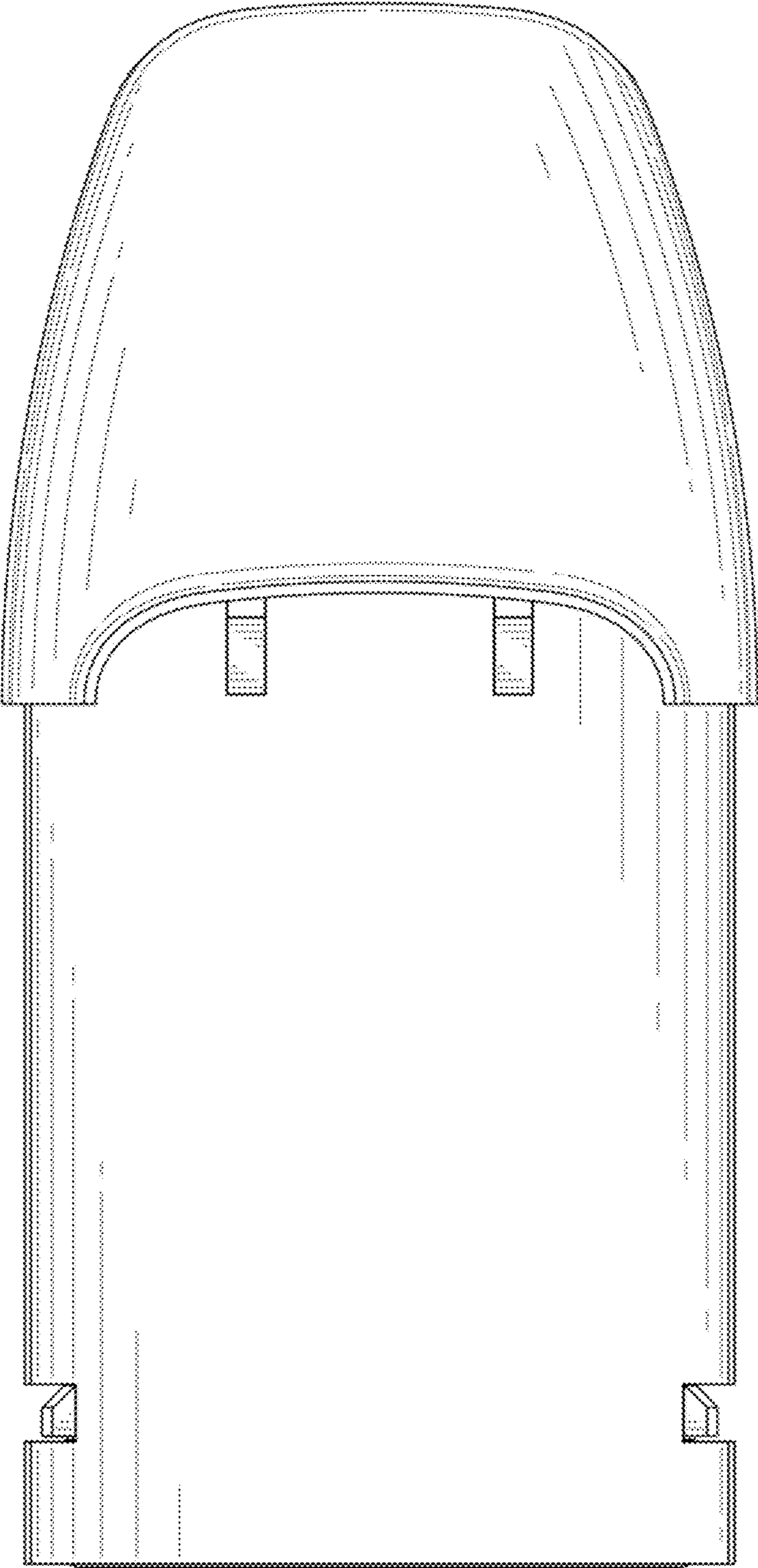


FIG. 2

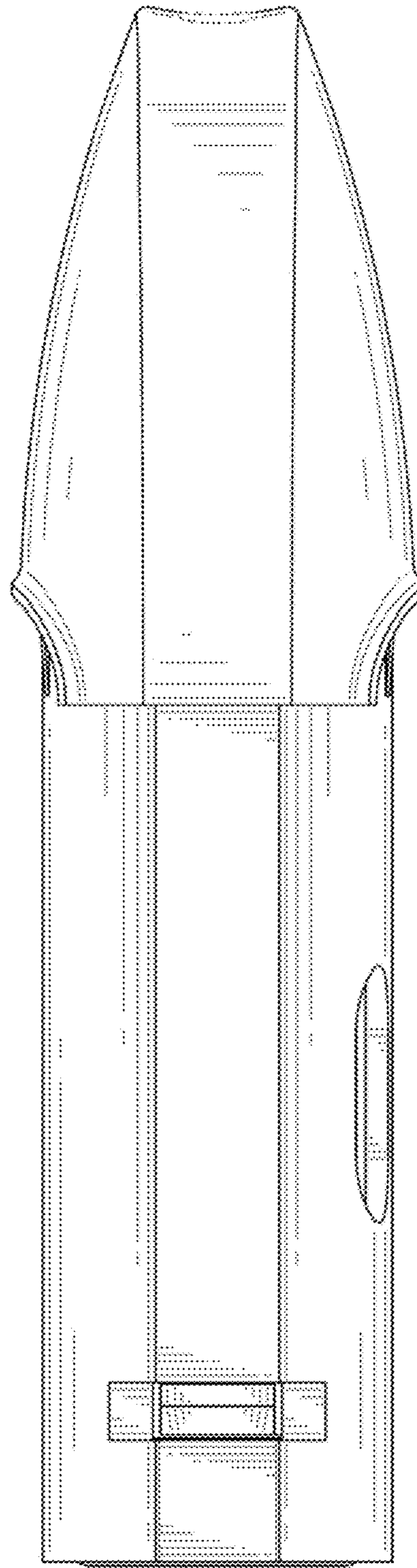


FIG. 3

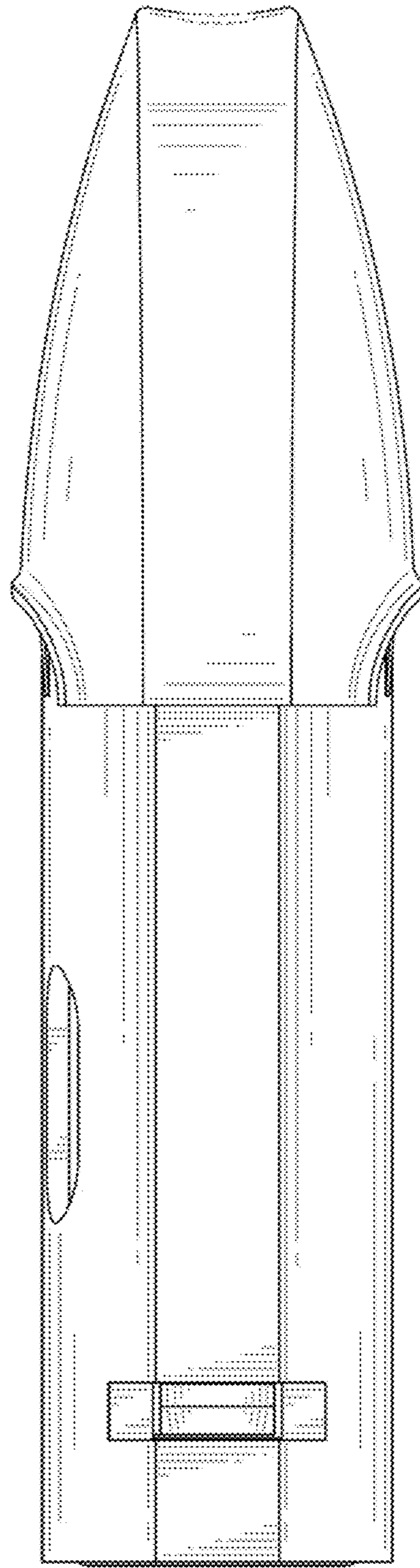


FIG. 4

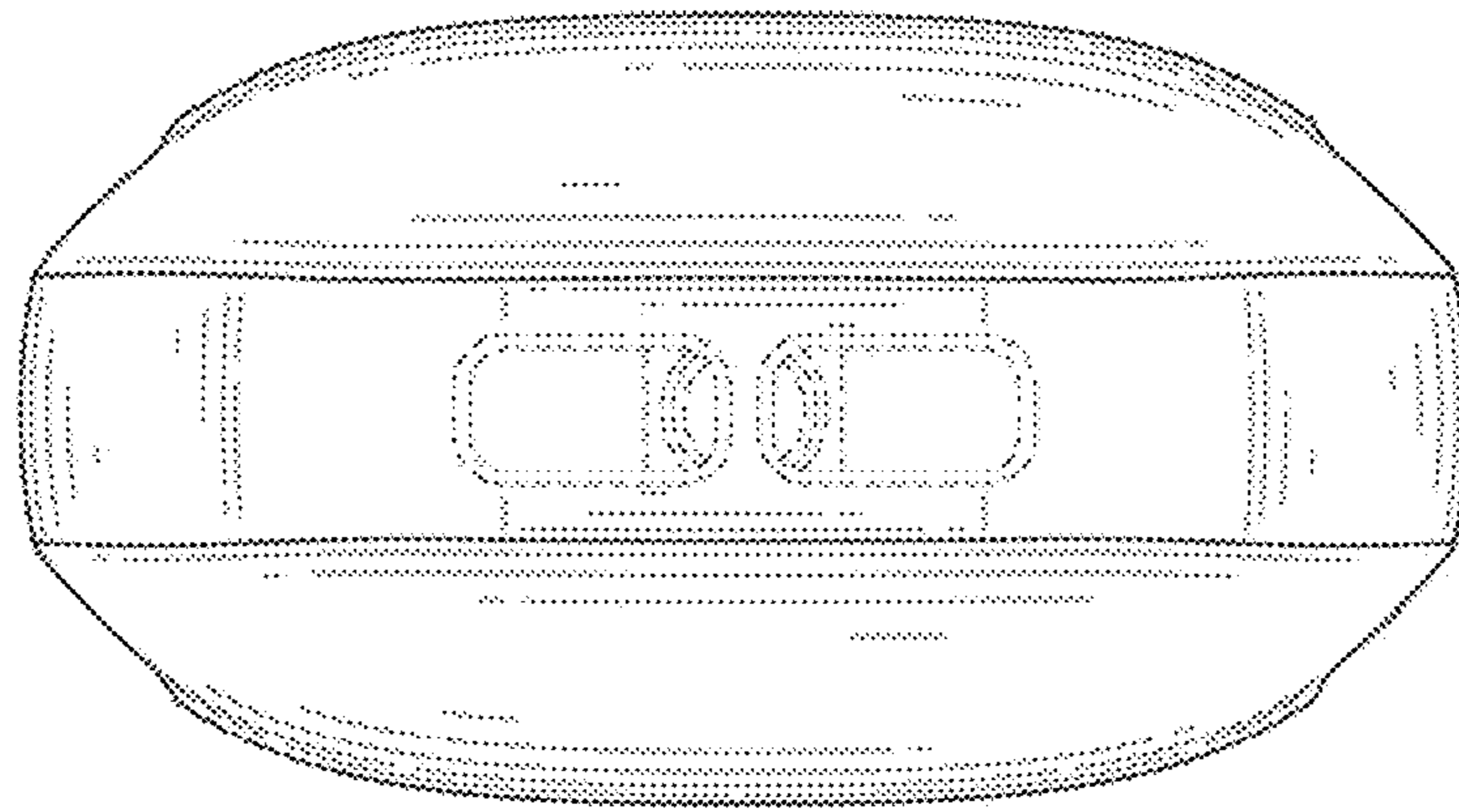


FIG. 5

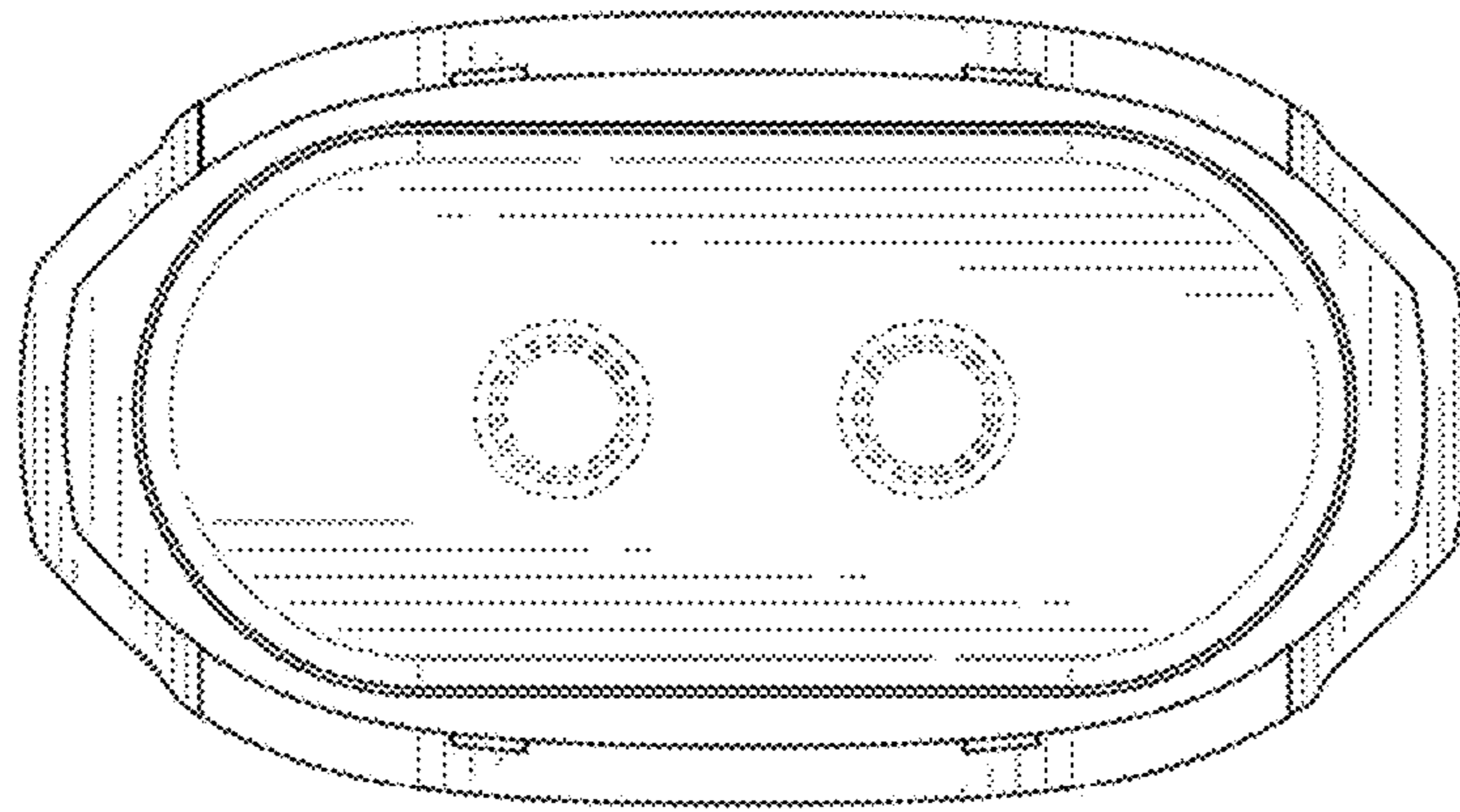


FIG. 6

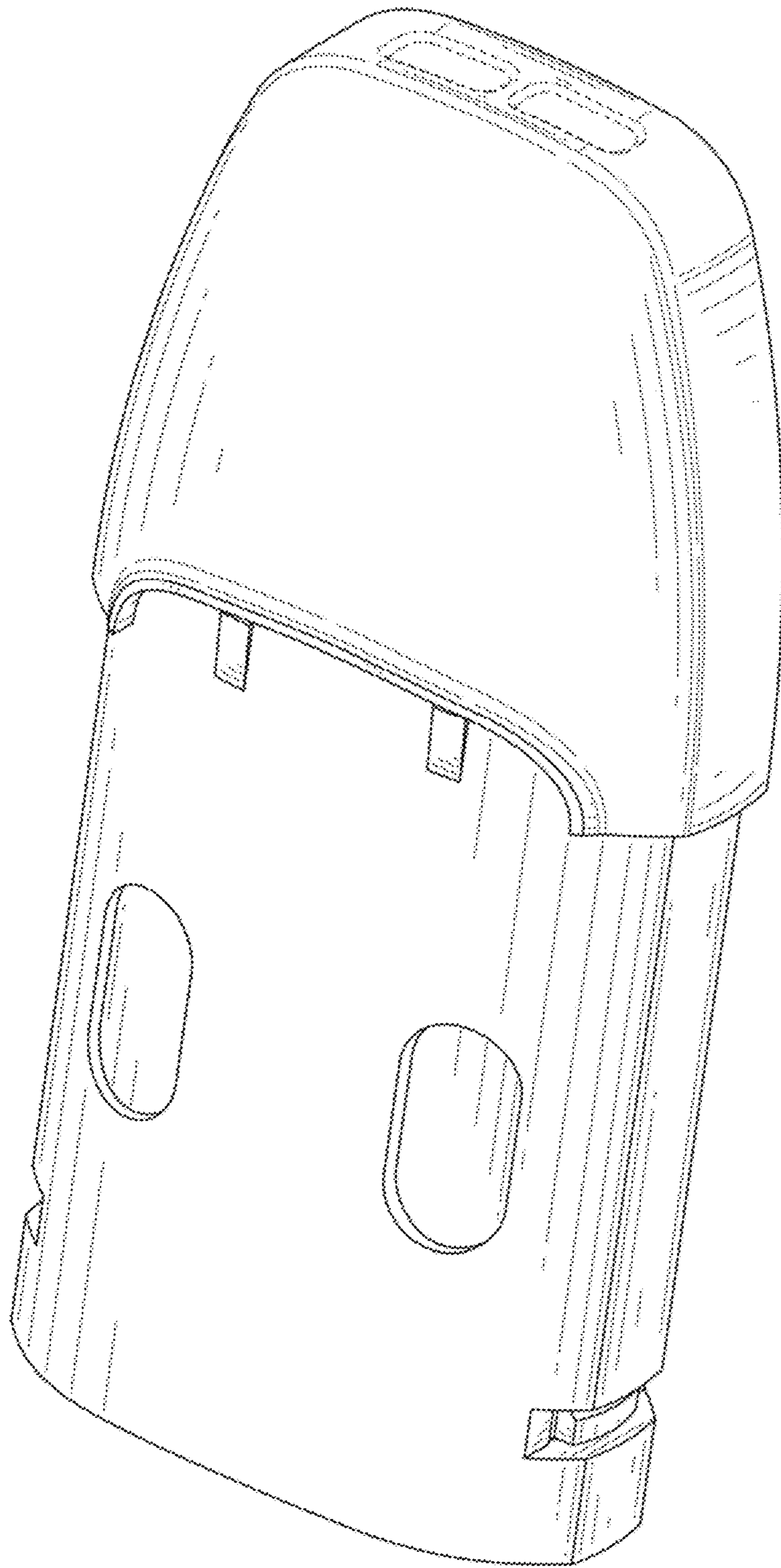


FIG. 7



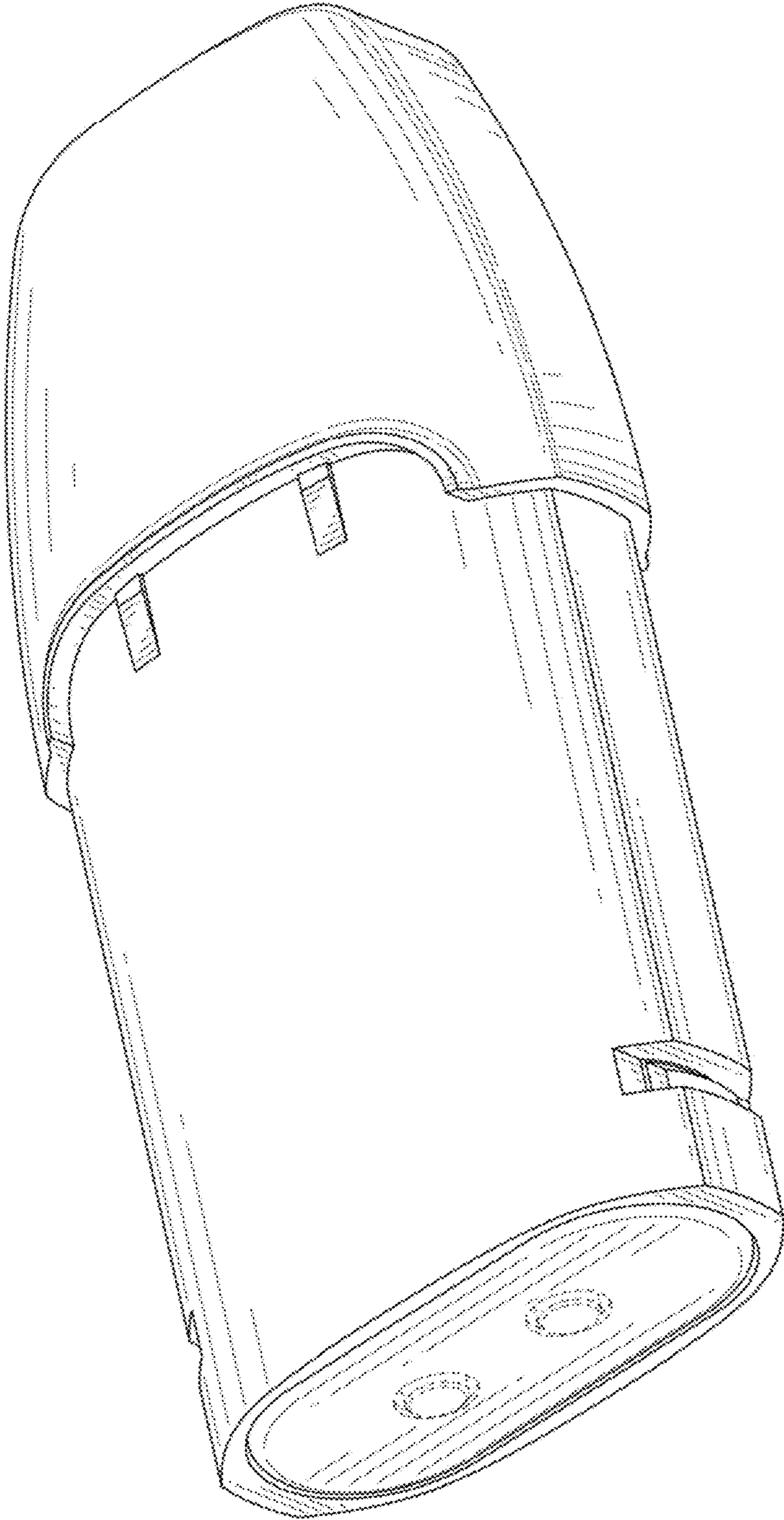


FIG. 8