



US00D911599S

(12) **United States Design Patent** (10) **Patent No.:** **US D911,599 S**
Sun et al. (45) **Date of Patent:** **** Feb. 23, 2021**

(54) **POWER SUPPLY DEVICE FOR ELECTRONIC CIGARETTE**
(71) Applicant: **Shenzhen Smoore Technology Limited**, Guandong (CN)
(72) Inventors: **Zhanhui Sun**, Shenzhen (CN); **Yu Liu**, Shenzhen (CN)
(73) Assignee: **SHENZHEN SMOORE TECHNOLOGY LIMITED**, Shenzhen (CN)

D748,324 S * 1/2016 Choi D27/163
D769,520 S * 10/2016 Hua D27/167
D770,678 S * 11/2016 Shin D27/163
D772,477 S * 11/2016 Smith D27/163
D828,953 S * 9/2018 Chen D27/167
D842,238 S * 3/2019 Qiu D13/103
D843,052 S * 3/2019 Powell D27/163
D853,022 S * 7/2019 Srour D27/183
D855,880 S * 8/2019 Sarsurluoglu D27/186
D869,086 S * 12/2019 Pan D27/162
D870,034 S * 12/2019 Lai D13/103
D881,459 S * 4/2020 Ouyang D27/162
D885,332 S * 5/2020 Han D13/108
D889,740 S * 7/2020 Beer D27/194
D892,039 S * 8/2020 Chen D13/103

(**) Term: **15 Years**

* cited by examiner

(21) Appl. No.: **29/696,698**

Primary Examiner — Marissa J Cash

(22) Filed: **Jun. 29, 2019**

Assistant Examiner — Rebecca Tsehaye

(30) **Foreign Application Priority Data**

(57) **CLAIM**

Jan. 2, 2019 (CN) 201930000925.X

The ornamental design for a power supply device for an electronic cigarette, as shown and described.

(51) **LOC (13) Cl.** **27-02**

(52) **U.S. Cl.**
USPC **D27/162**

DESCRIPTION

(58) **Field of Classification Search**
USPC D27/162, 100, 101, 163–165, 172, 174, D27/183, 185–194; D24/110, 110.5; D13/107–109; D14/341, 342, 344, 346
CPC A24F 47/002; A24F 47/006; A24F 47/008; A61M 15/00; A61M 15/06
See application file for complete search history.

FIG. 1 is a first perspective view of a power supply device for an electronic cigarette of the design;
FIG. 2 is a second perspective view thereof;
FIG. 3 is a front elevational view thereof;
FIG. 4 is a rear elevational view thereof;
FIG. 5 is a left side elevational view thereof;
FIG. 6 is a right side elevational view thereof;
FIG. 7 is an enlarged top plan view thereof; and,
FIG. 8 is an enlarged bottom plan view thereof.

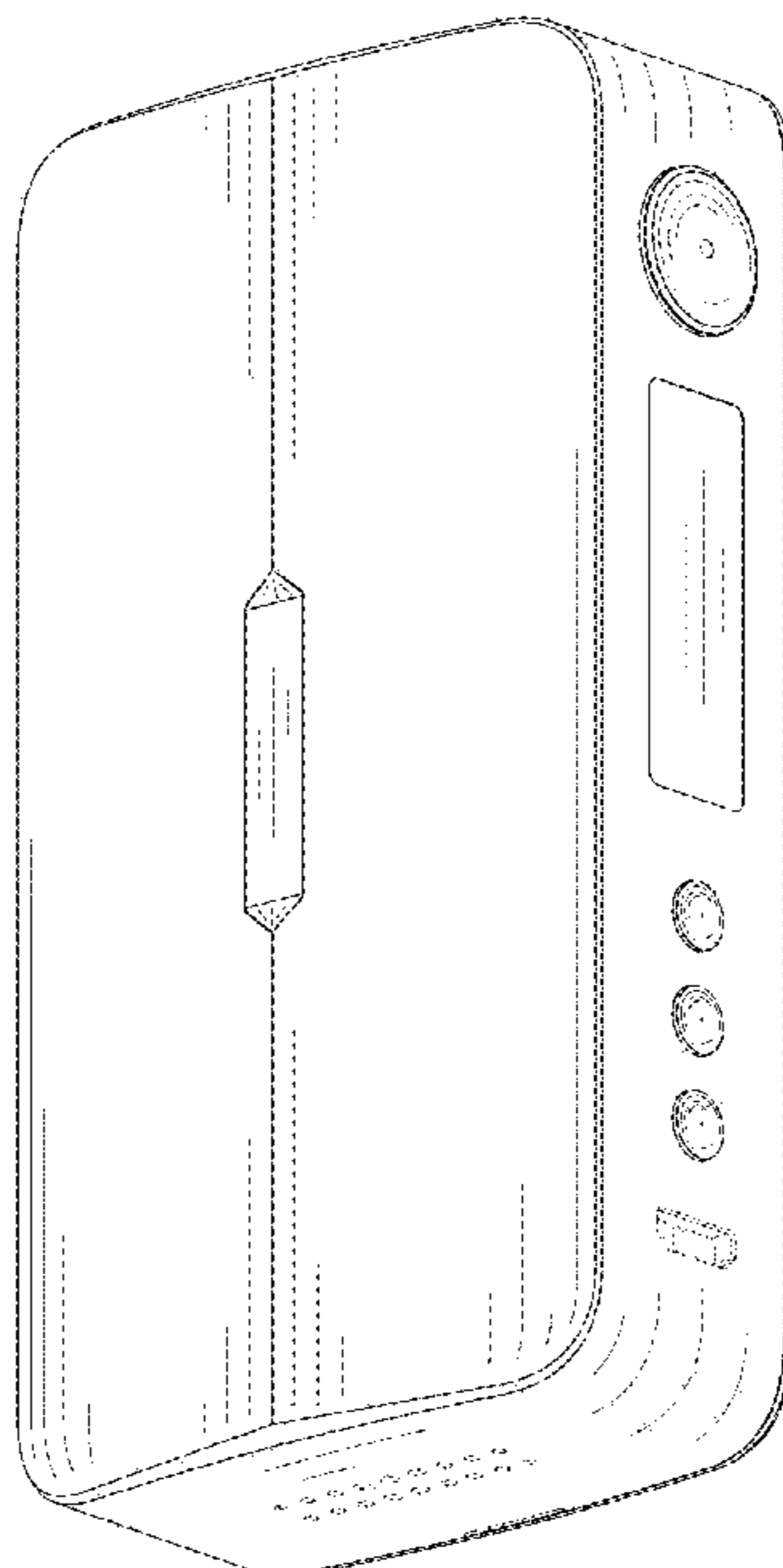
(56) **References Cited**

The broken lines in the drawings depict portions of the power supply device for electronic cigarette that form no part of the claimed design.

U.S. PATENT DOCUMENTS

D612,329 S * 3/2010 Guccione D13/108
D654,160 S * 2/2012 Yomtov D23/360
D708,727 S * 7/2014 Postma D23/360

1 Claim, 8 Drawing Sheets



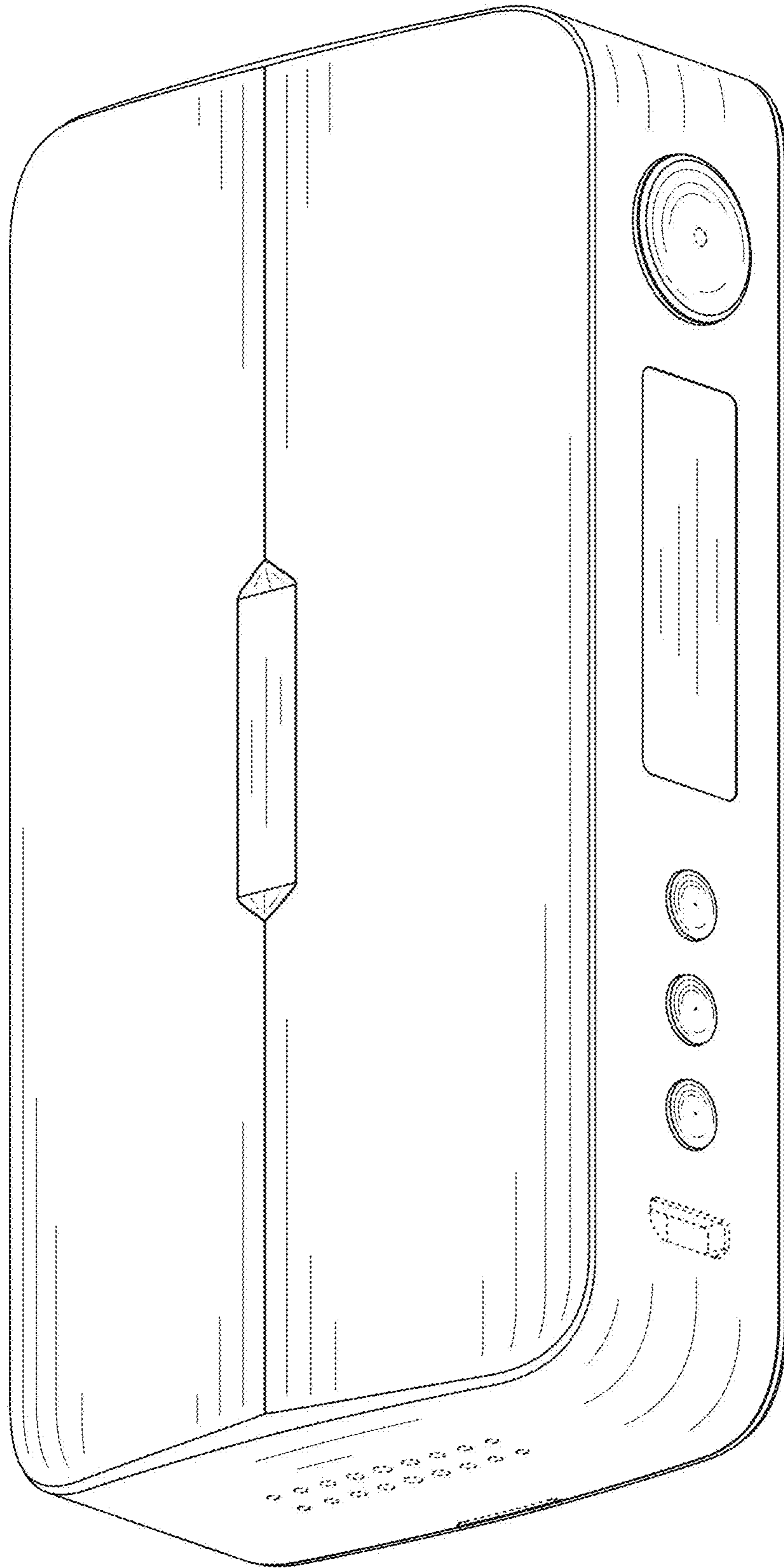


FIG. 1

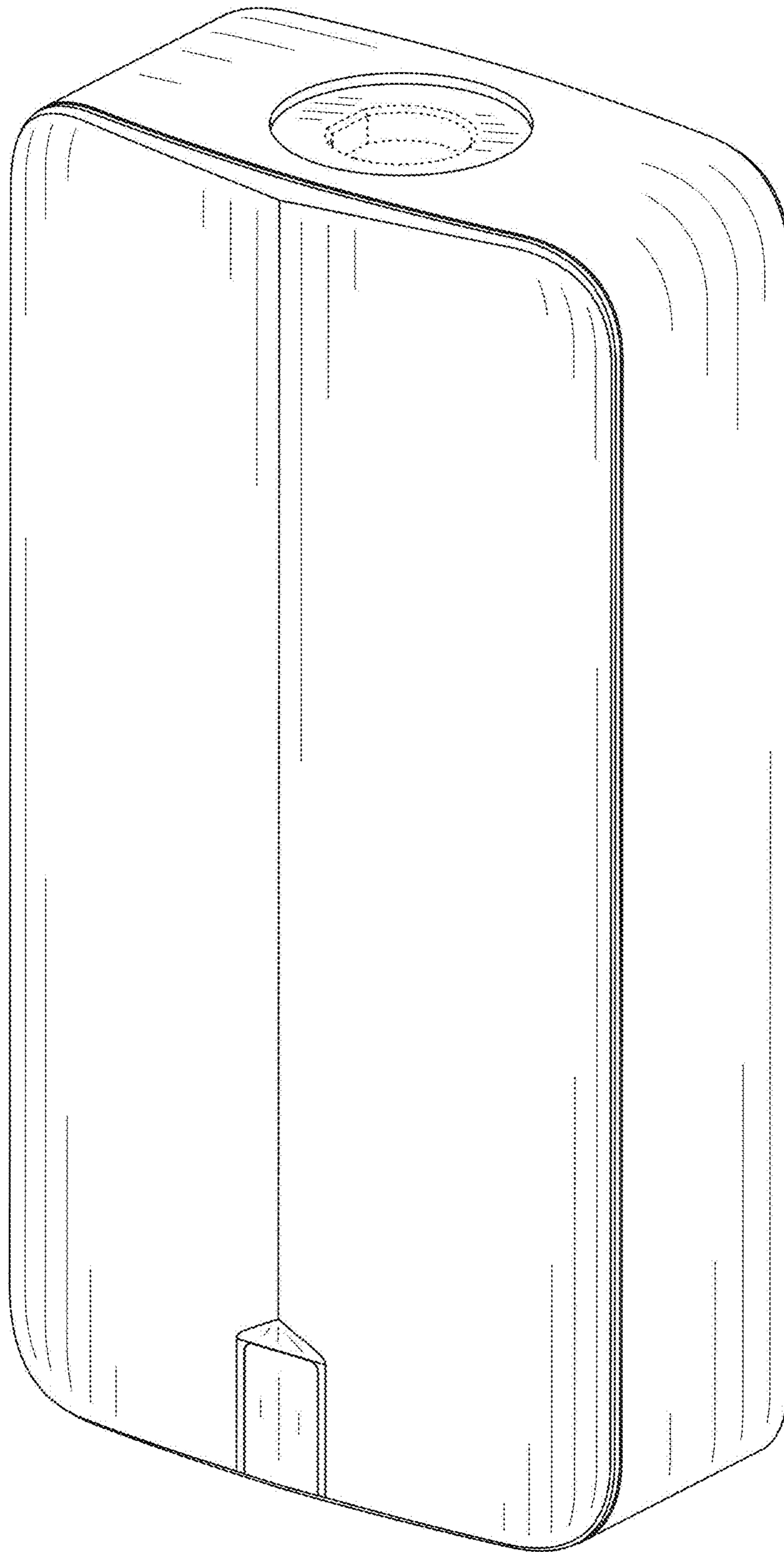


FIG. 2

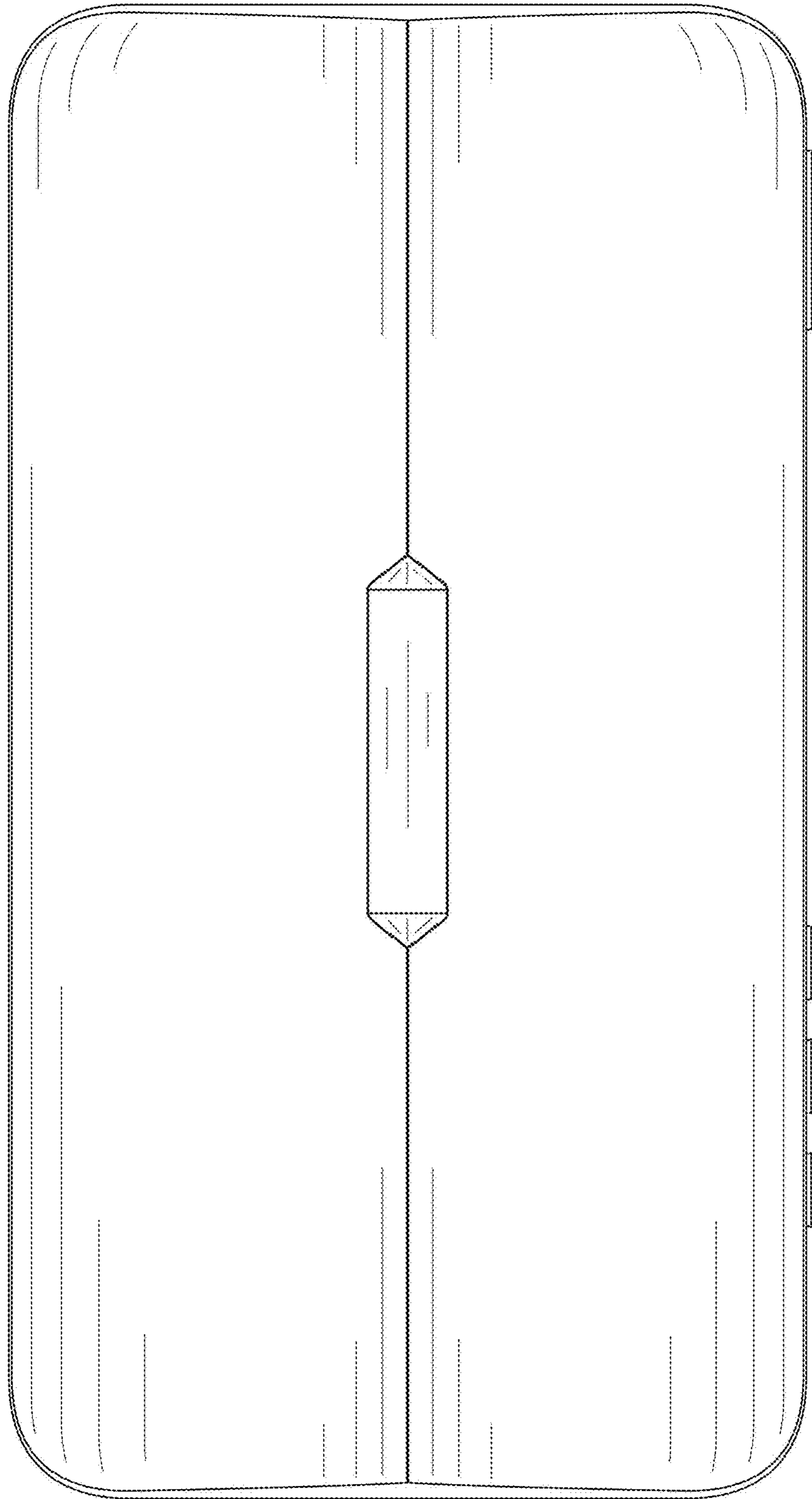


FIG. 3

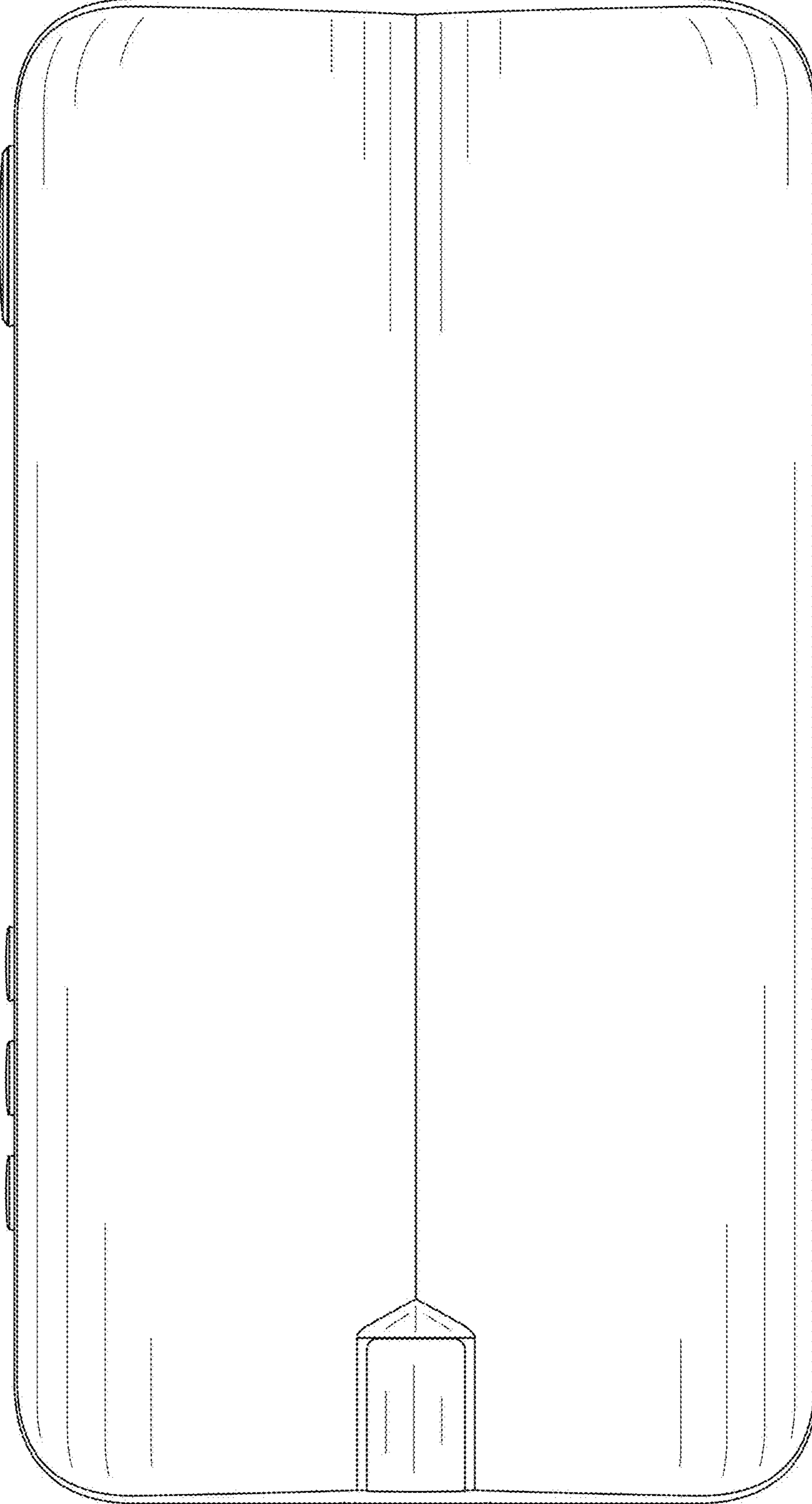


FIG. 4

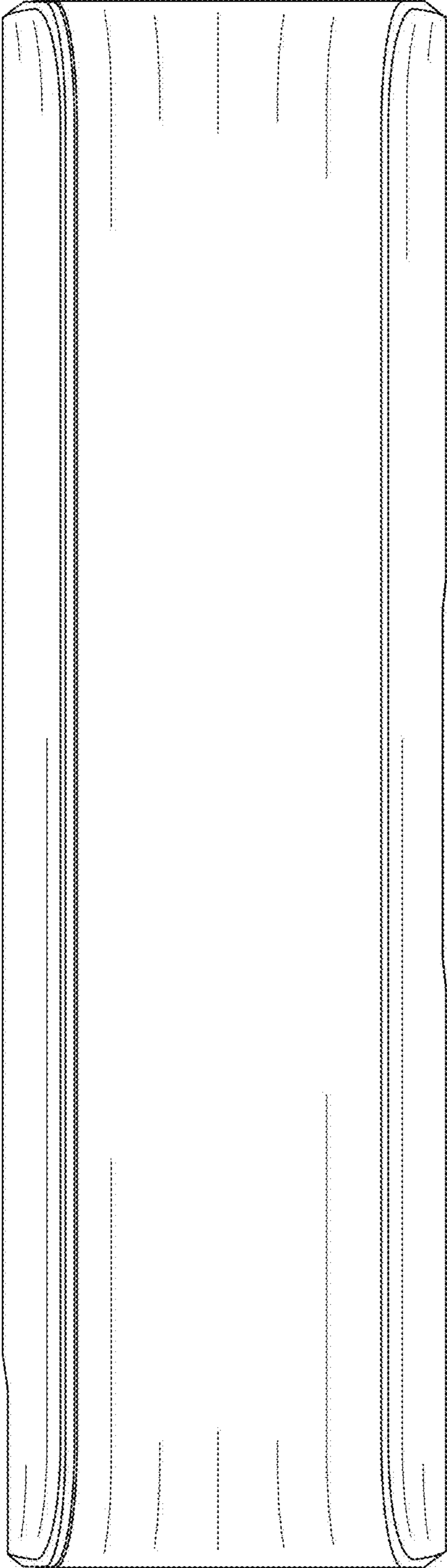


FIG. 5

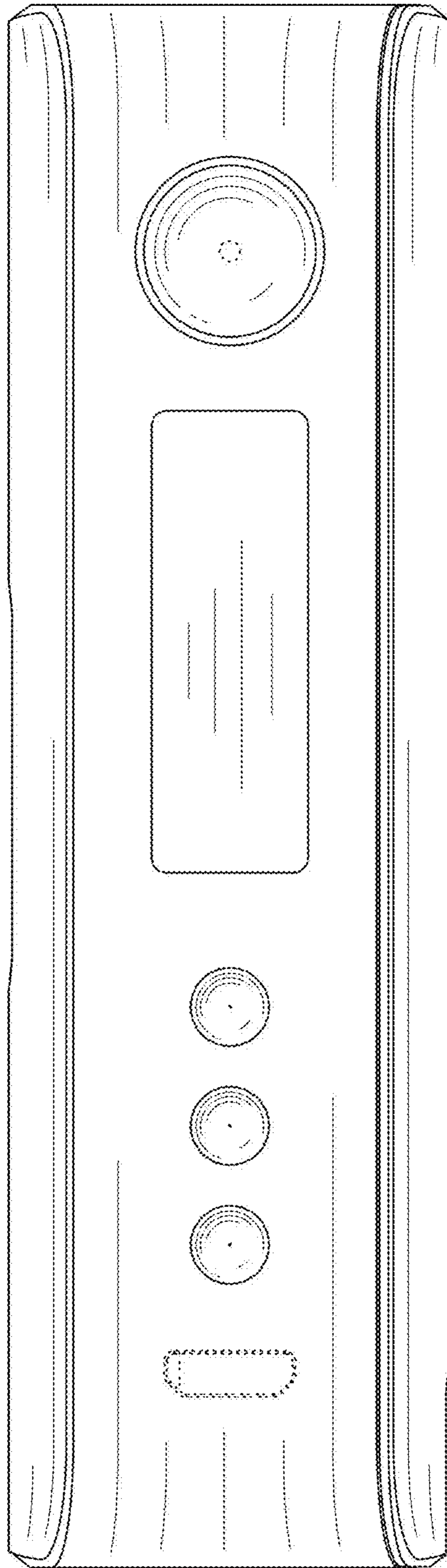


FIG. 6

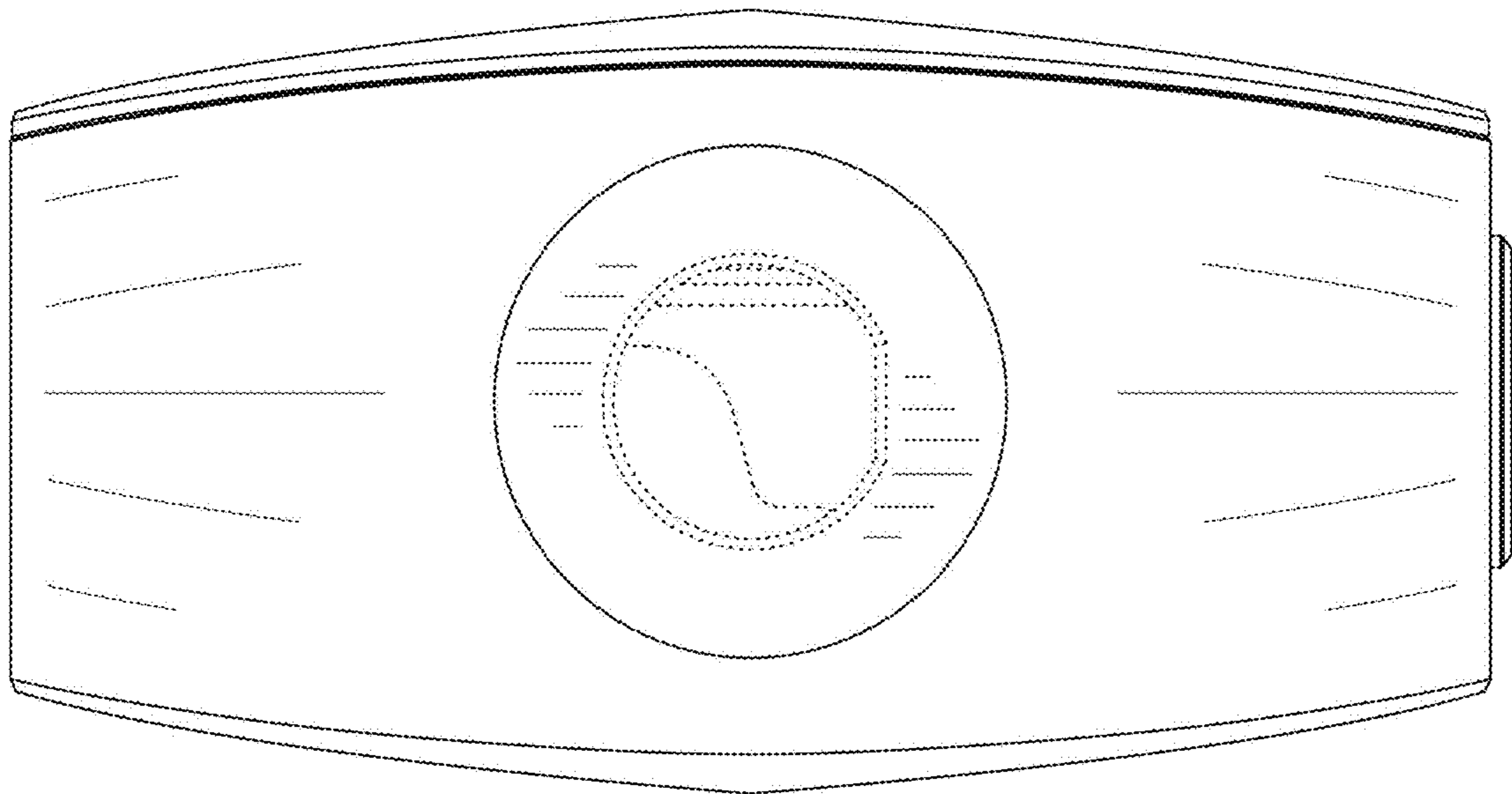


FIG. 7

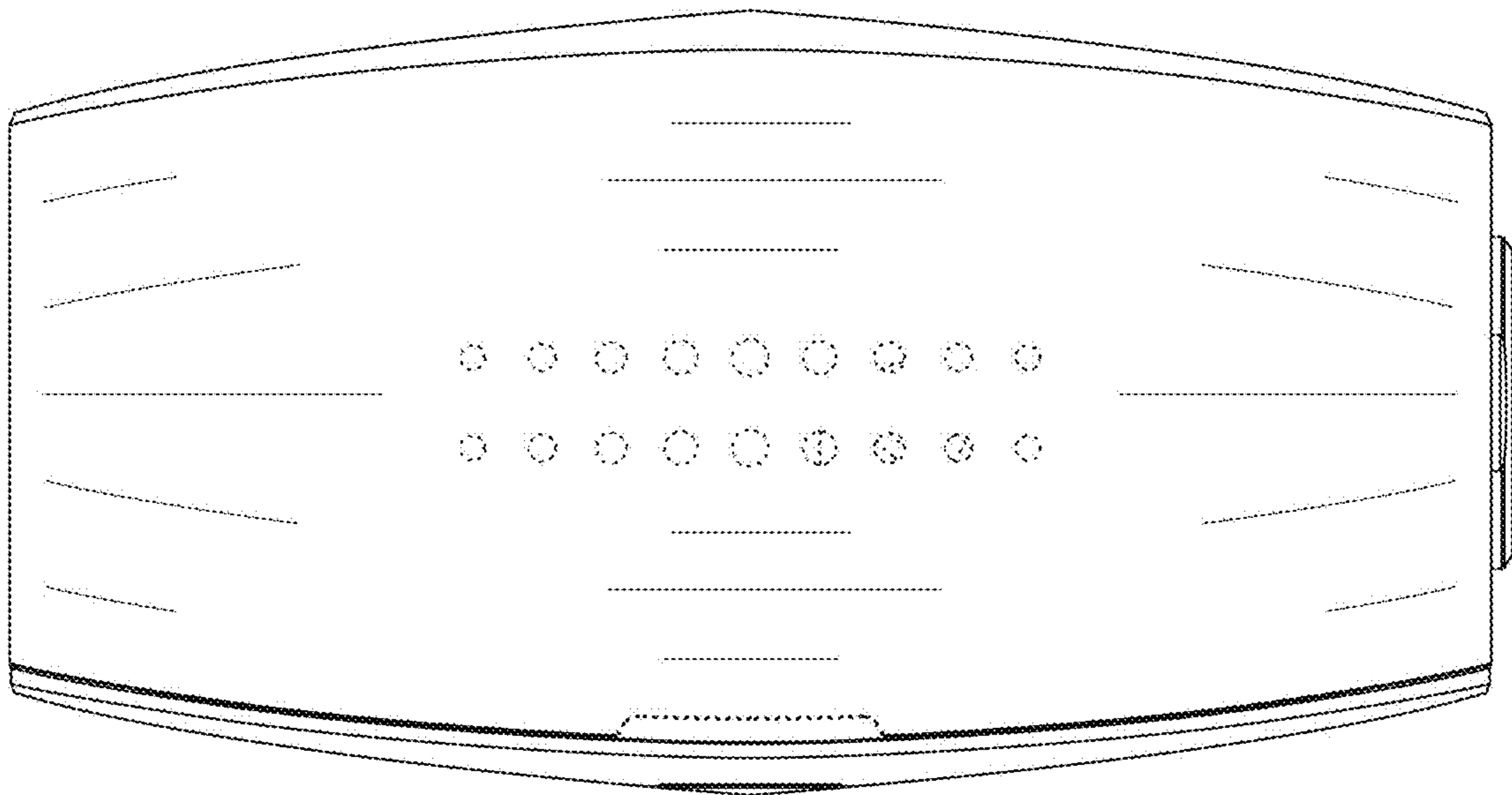


FIG. 8