



US00D911597S

(12) **United States Design Patent**
Harmon

(10) **Patent No.:** **US D911,597 S**
(45) **Date of Patent:** **** Feb. 23, 2021**

(54) **CIRCULAR LAMP**

(71) Applicant: **Bear Down Brands, LLC**, Huntington Beach, CA (US)

(72) Inventor: **Nicholas Harmon**, Waitsfield, VT (US)

(73) Assignee: **Bear Down Brands, LLC**, Huntington Beach, CA (US)

(**) Term: **15 Years**

(21) Appl. No.: **29/701,664**

(22) Filed: **Aug. 13, 2019**

(51) **LOC (13) Cl.** **26-05**

(52) **U.S. Cl.**
USPC **D26/118**

(58) **Field of Classification Search**
USPC D26/1, 7, 24, 32, 36, 78-83, 93, 94, 106, D26/118, 123, 124, 125; D16/237, 239, D16/250; D6/512, 513
CPC F21S 8/00; F21S 8/04; F21S 8/024; F21S 8/026; F21S 8/031; F21S 8/043; F21S 6/00; F21S 6/002-008; F21S 2/00; F21S 9/00; F21S 9/02; F21S 9/022
See application file for complete search history.

(56) **References Cited**

U.S. PATENT DOCUMENTS

D253,495 S *	11/1979	Bodine	D26/36
D260,558 S *	9/1981	Catte	D26/29
D351,670 S *	10/1994	Tsai	D26/29
D356,177 S *	3/1995	Yuen	D26/104
D681,258 S *	4/2013	Chiang	D26/106
D808,572 S *	1/2018	Zhang	D26/106

D861,228 S *	9/2019	Grau	D26/93
D879,358 S *	3/2020	Du	D26/106
2013/0170180 A1 *	7/2013	Lee	F21V 29/00 362/92

* cited by examiner

Primary Examiner — Wan Laymon

Assistant Examiner — Clint A Samuel

(74) *Attorney, Agent, or Firm* — Lowenstein Sandler LLP

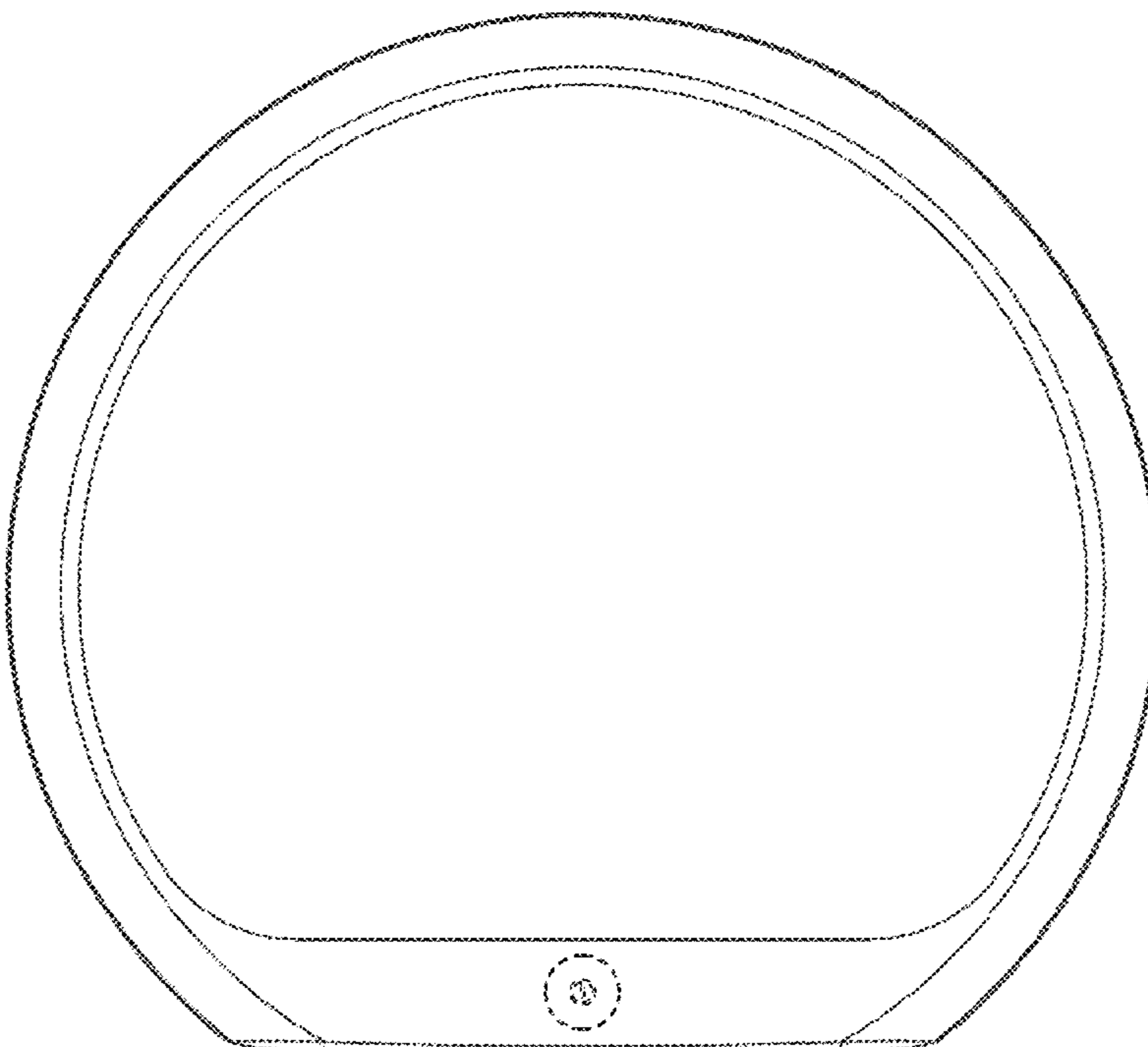
(57) **CLAIM**

The ornamental design for a circular lamp, as shown and described.

DESCRIPTION

FIG. 1 is a front view of a circular lamp in accordance with the new design;
FIG. 2 is a side view thereof;
FIG. 3 is a back view thereof;
FIG. 4 is a bottom view thereof;
FIG. 5 is a front view of a circular lamp in accordance with the new design;
FIG. 6 is a side view thereof;
FIG. 7 is a back view thereof;
FIG. 8 is a bottom view thereof;
FIG. 9 is a front view of a circular lamp in accordance with the new design;
FIG. 10 is a side view thereof;
FIG. 11 is a back view thereof; and,
FIG. 12 is a bottom view thereof.
The broken lines shown in FIGS. 1-12 represent portions of the article which are not claimed. The broken lines form no part of the claimed design.

1 Claim, 12 Drawing Sheets



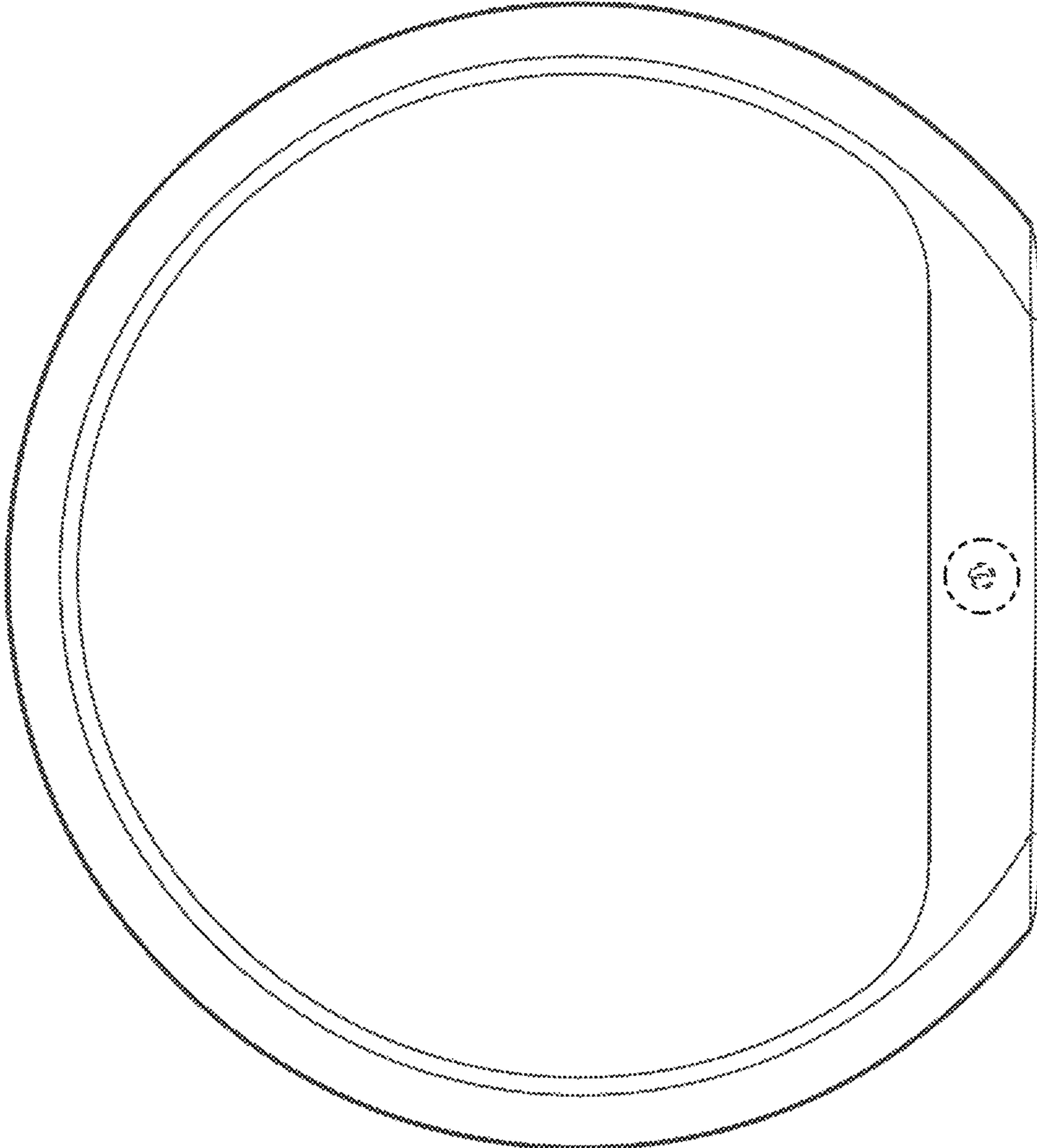


Fig. 1

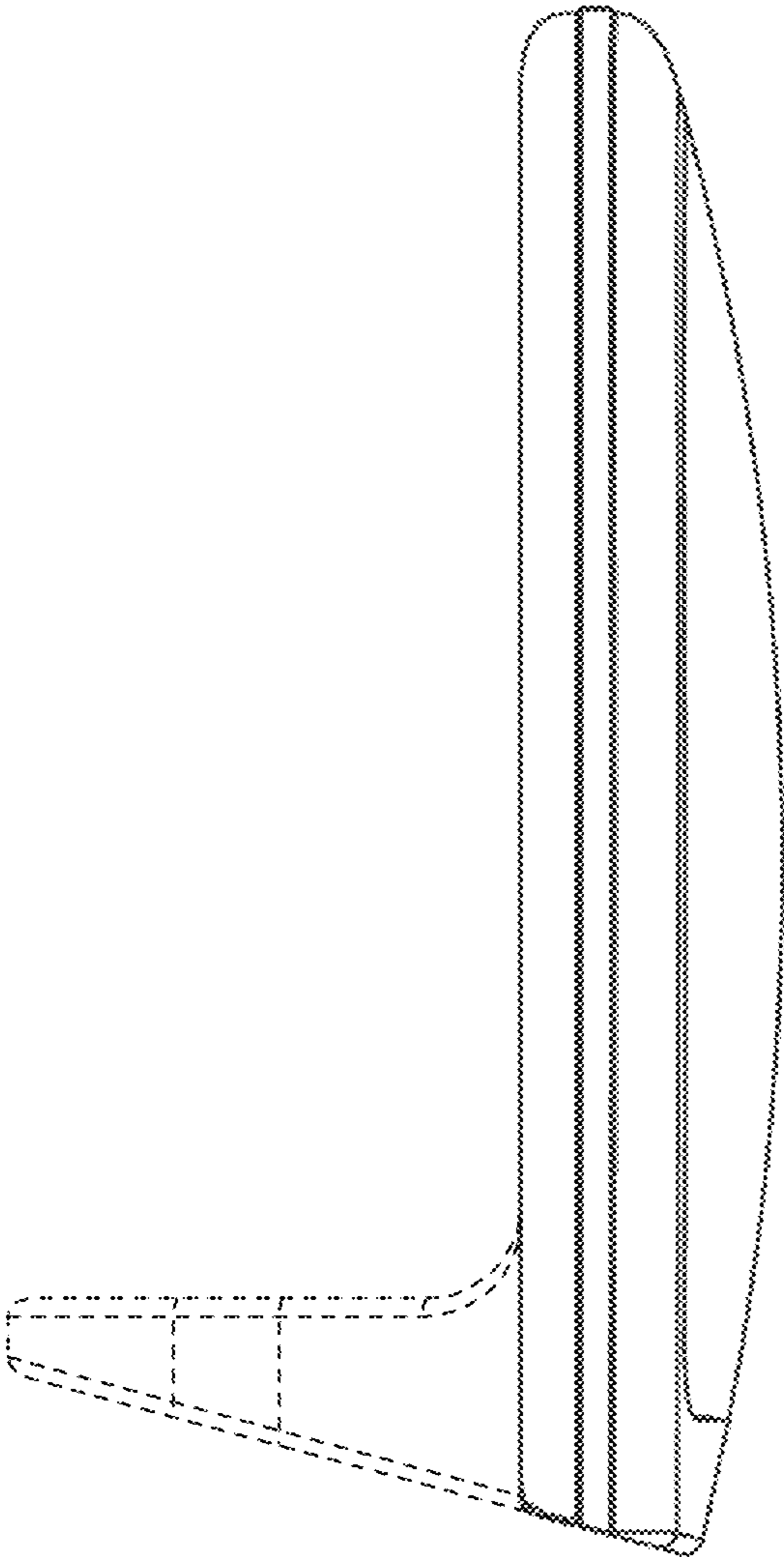


Fig. 2

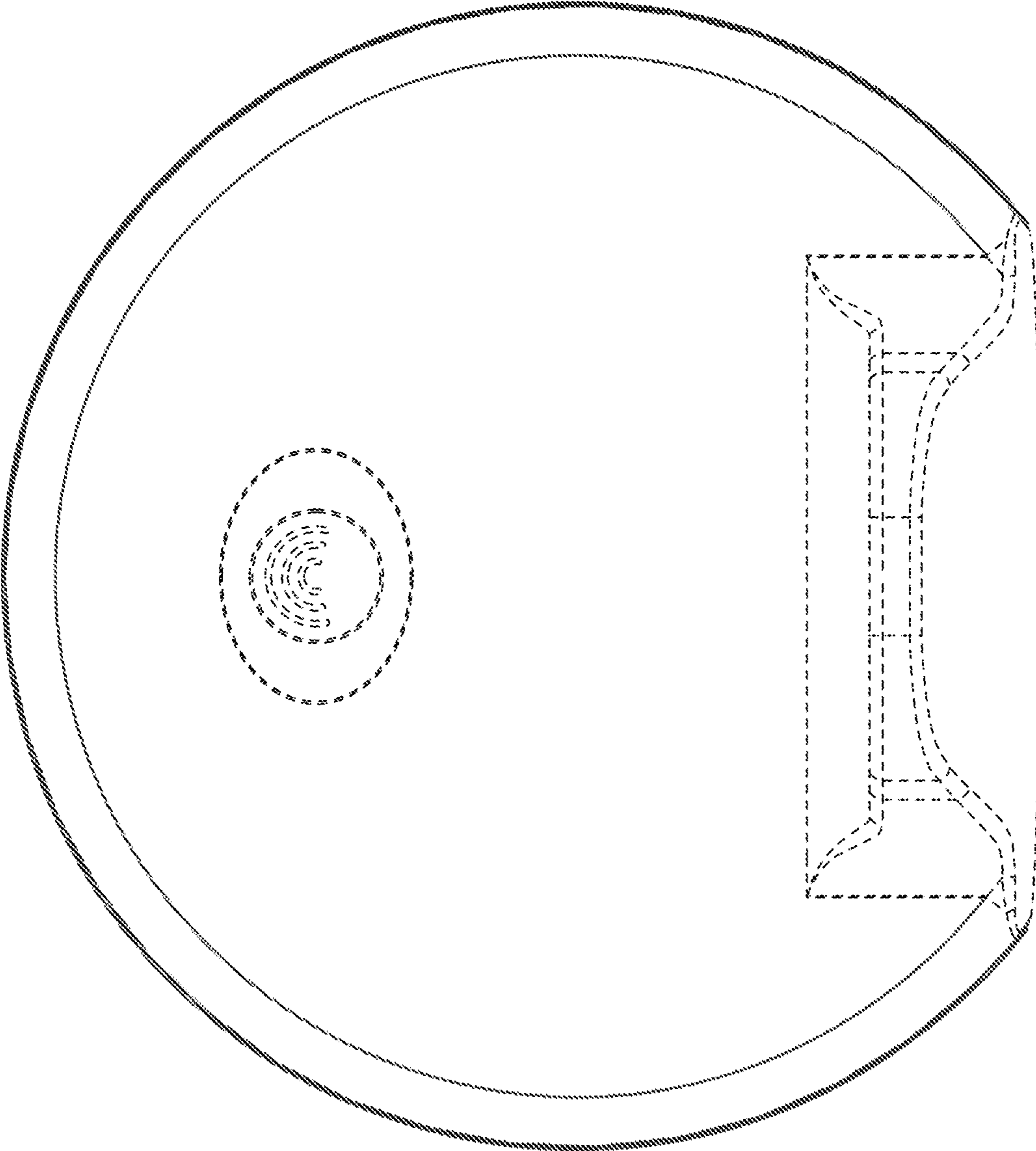


Fig. 3

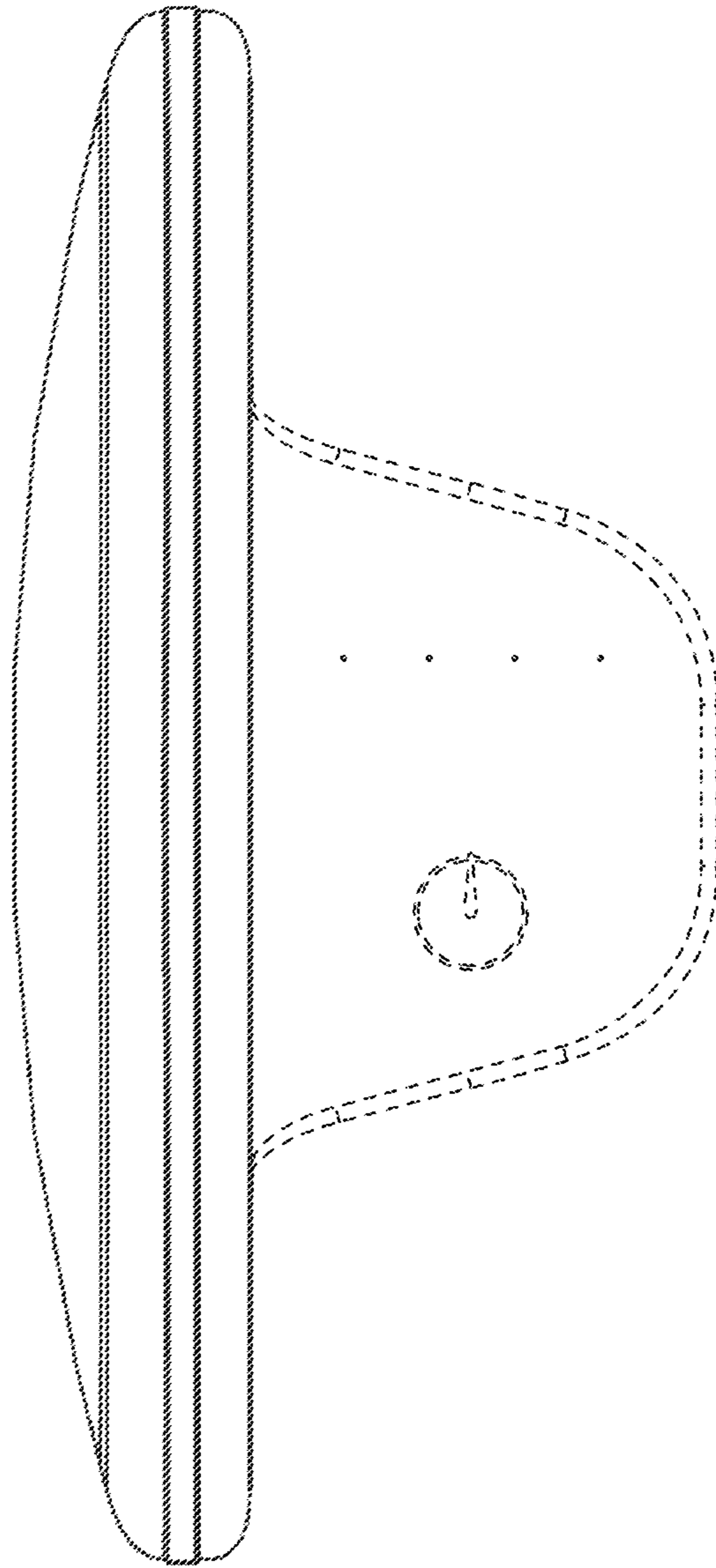


Fig. 4

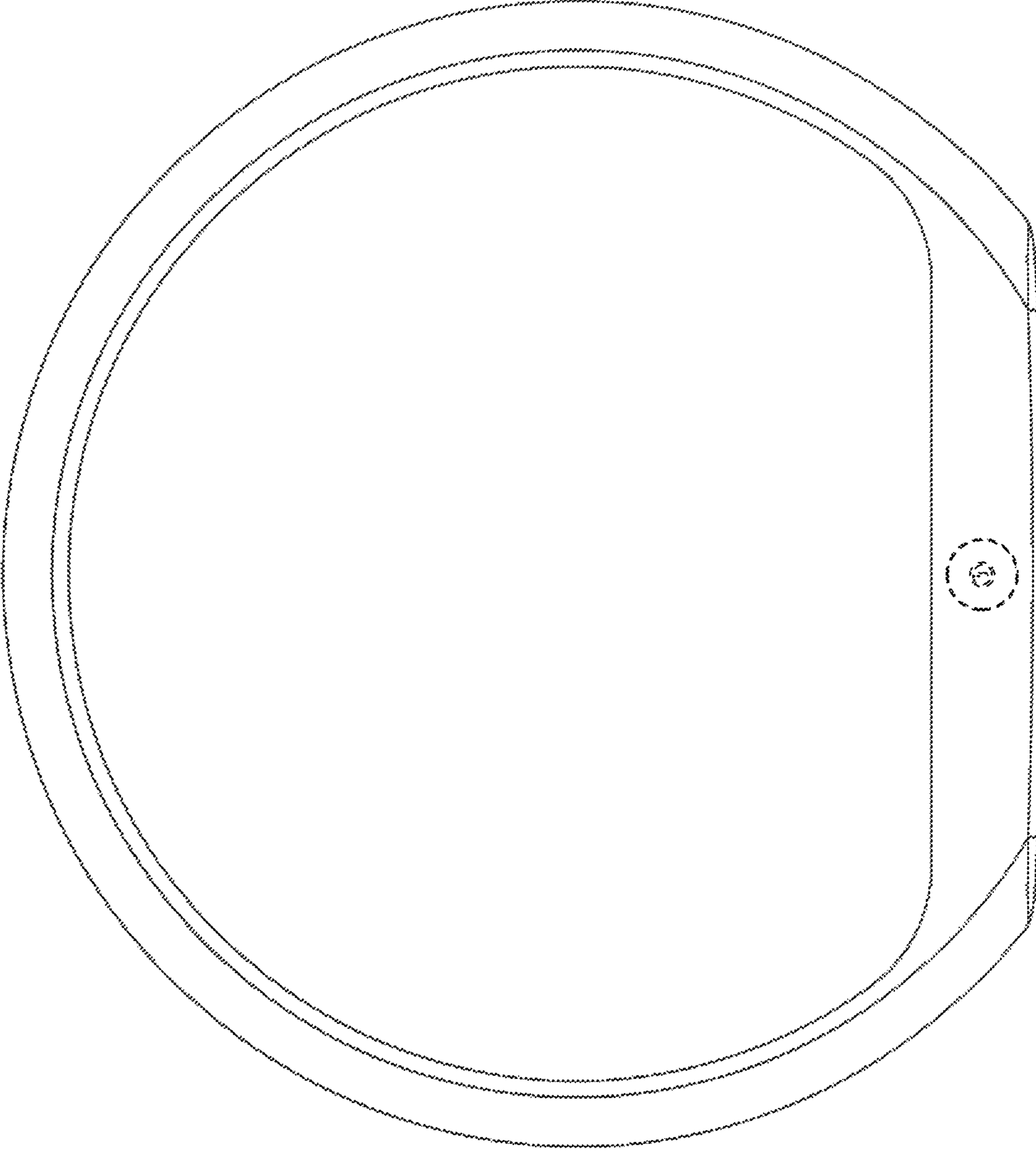


Fig. 5

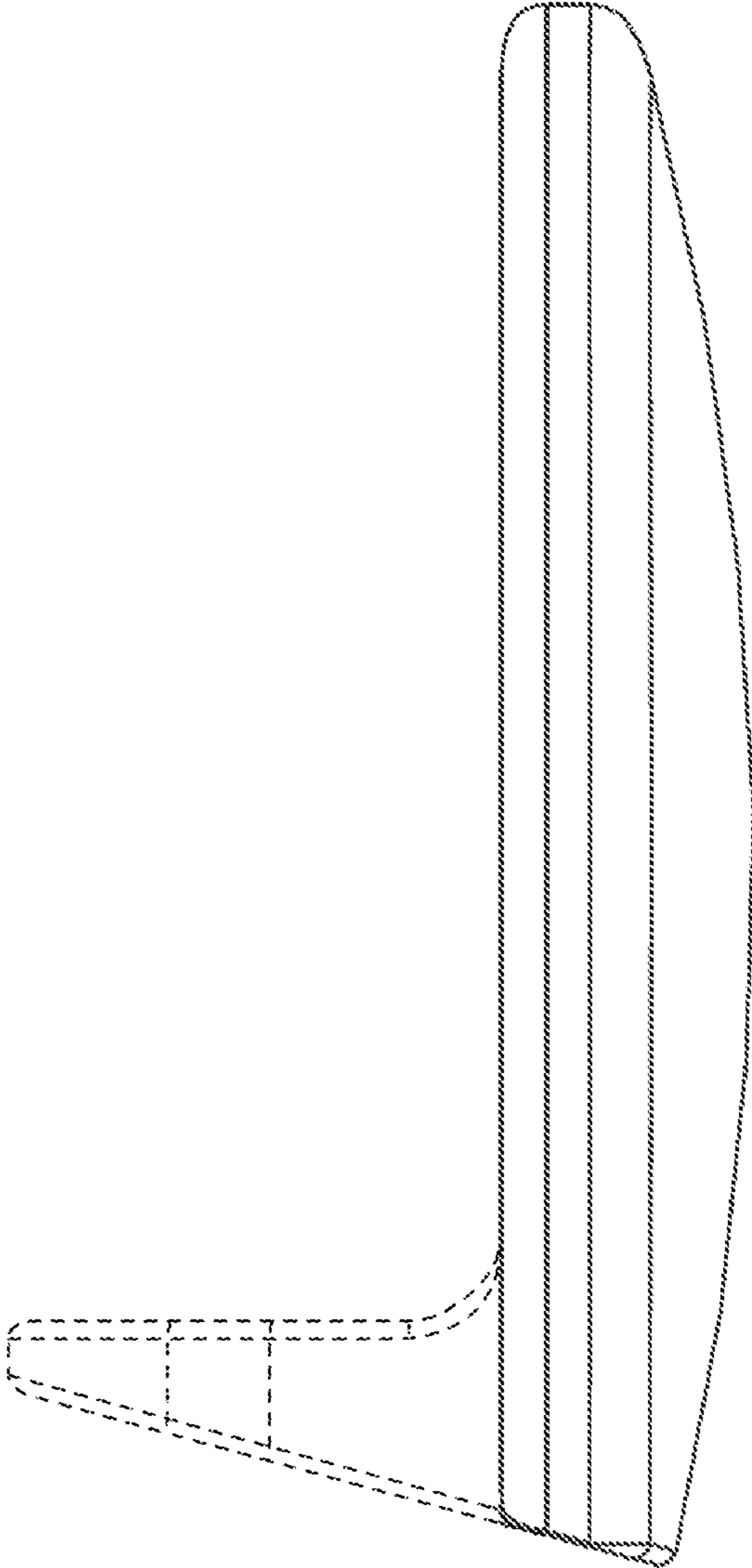


Fig. 6

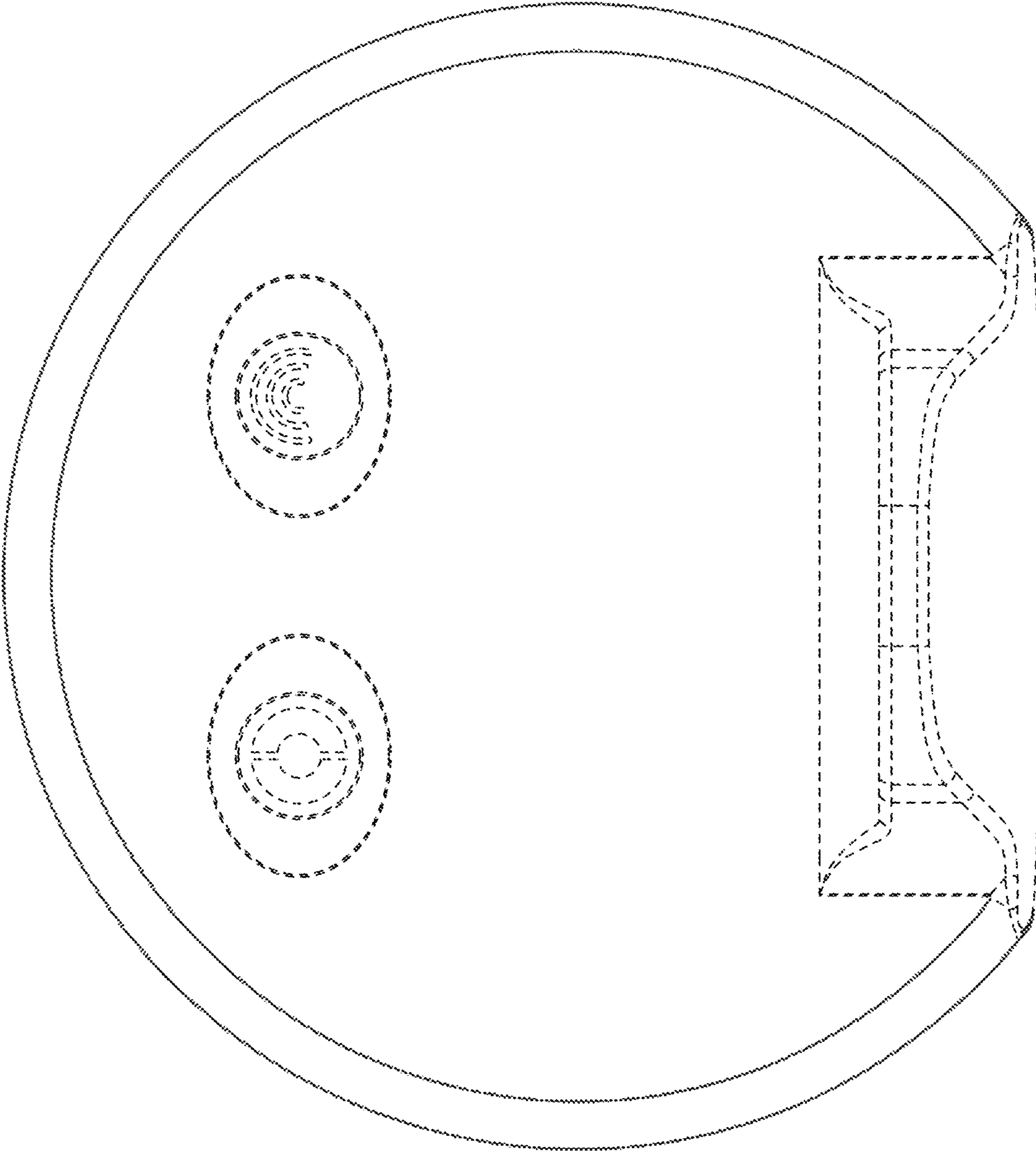


Fig. 7

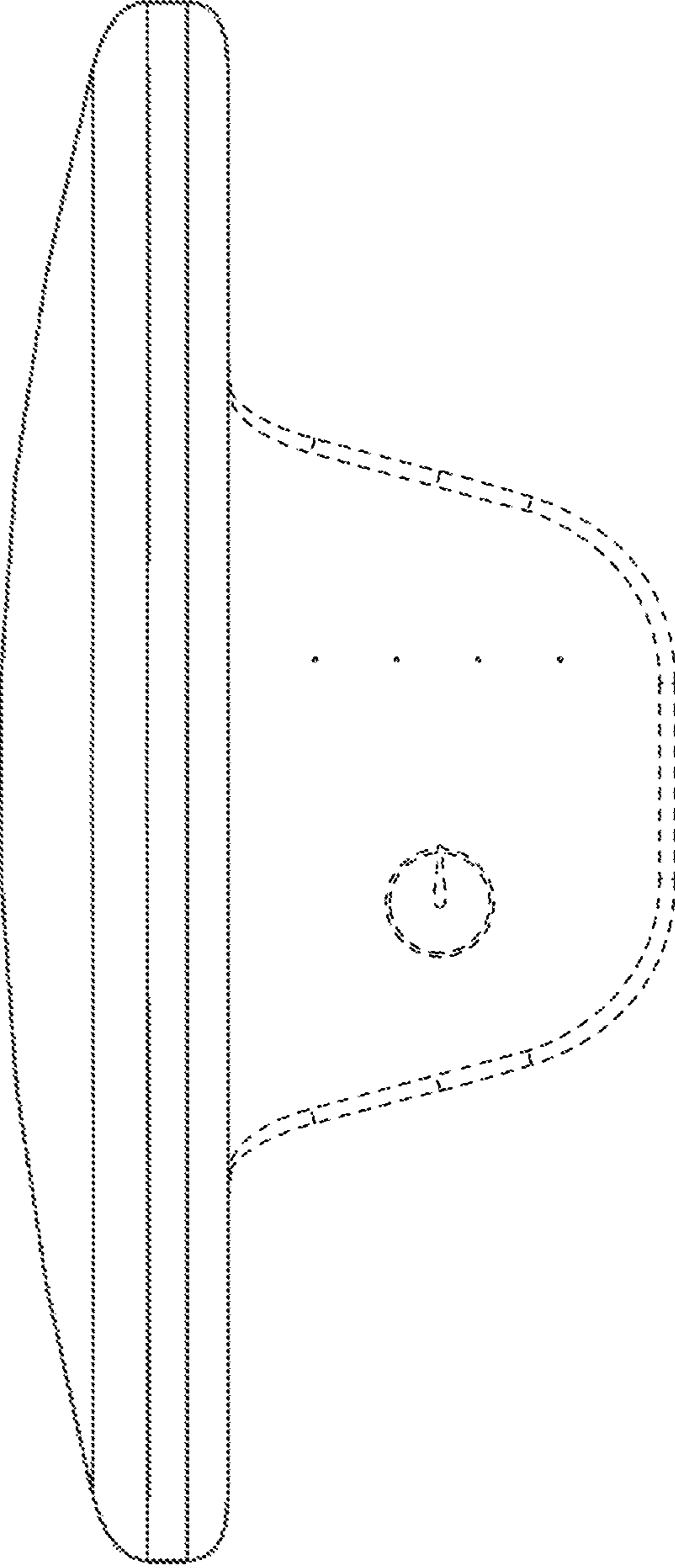


Fig. 8

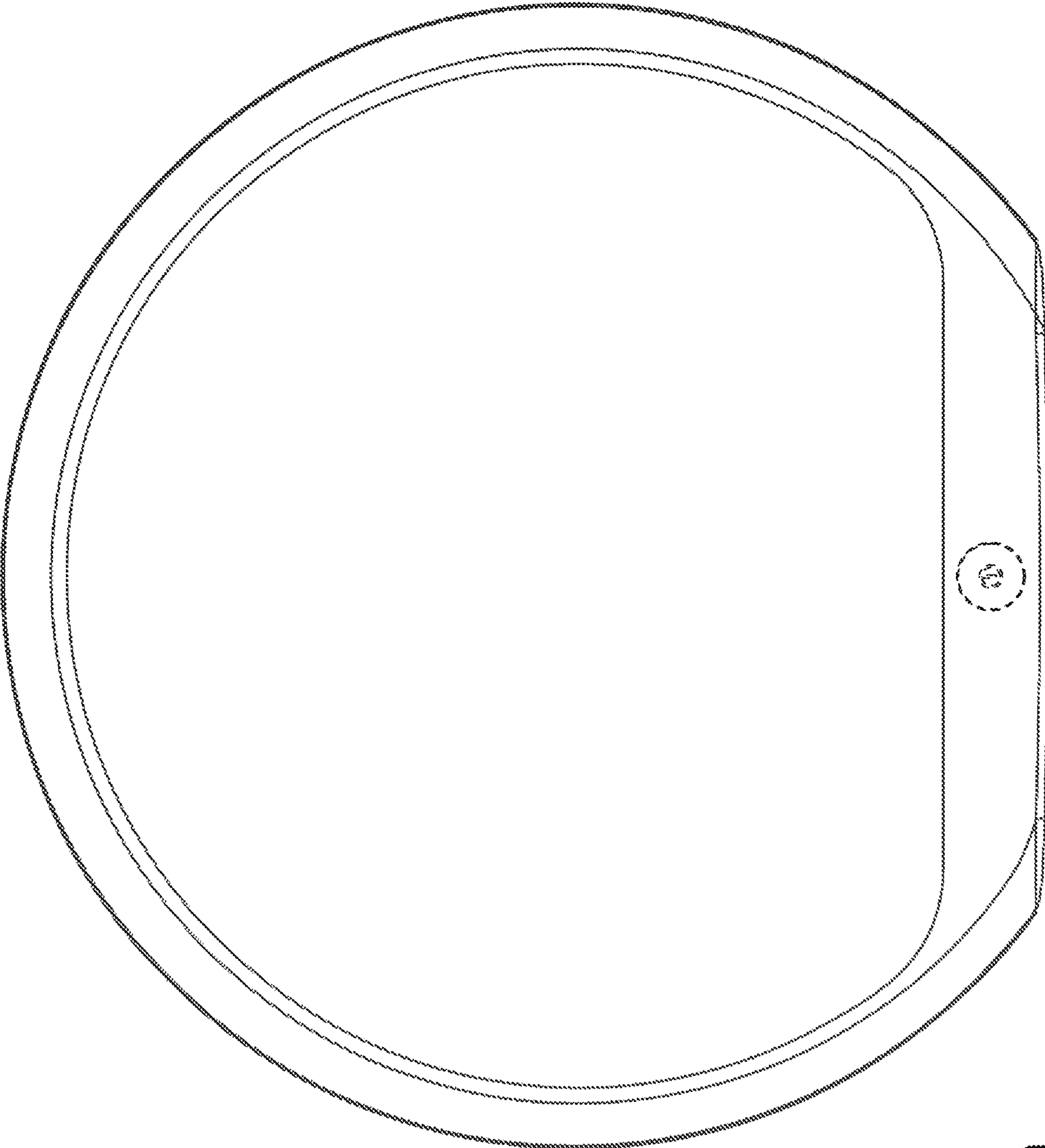


Fig. 9

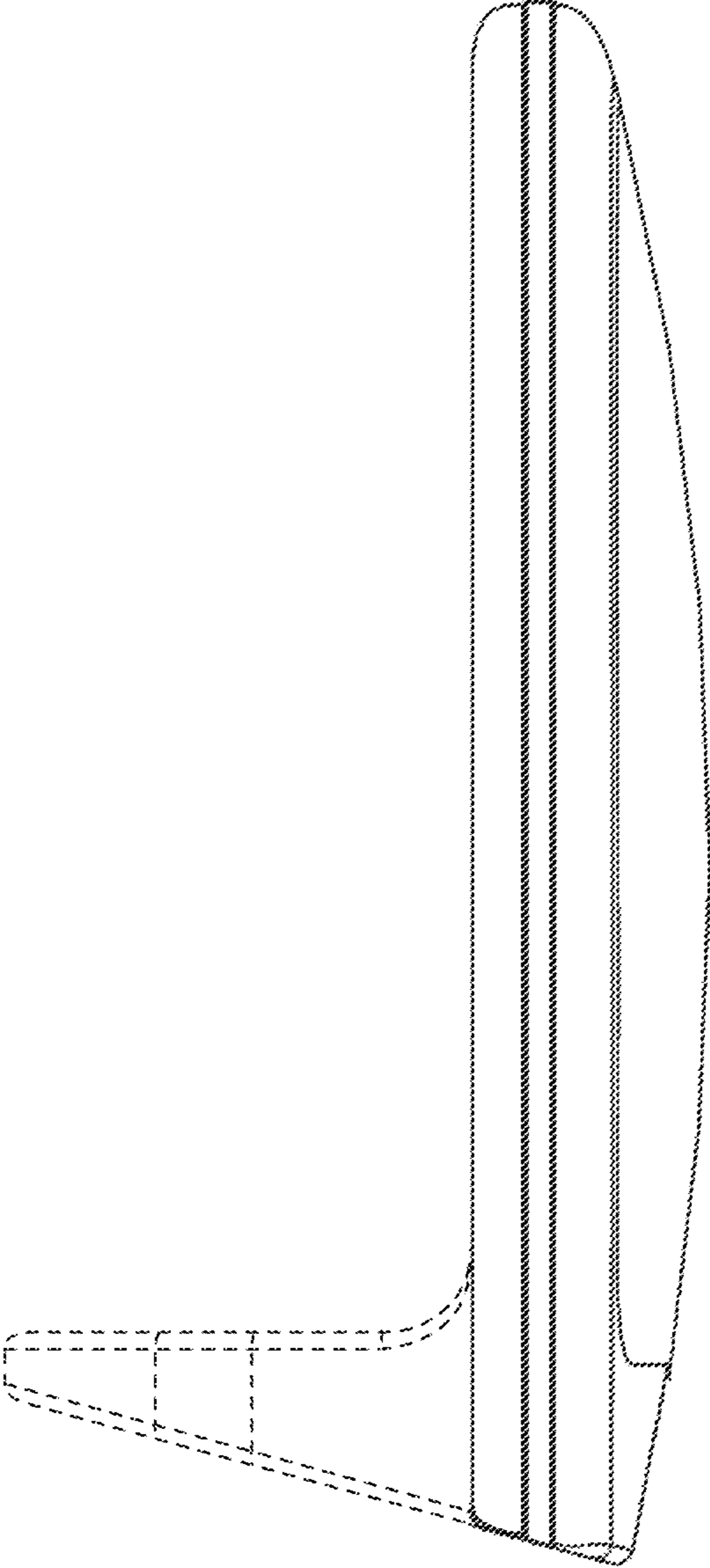


Fig. 10

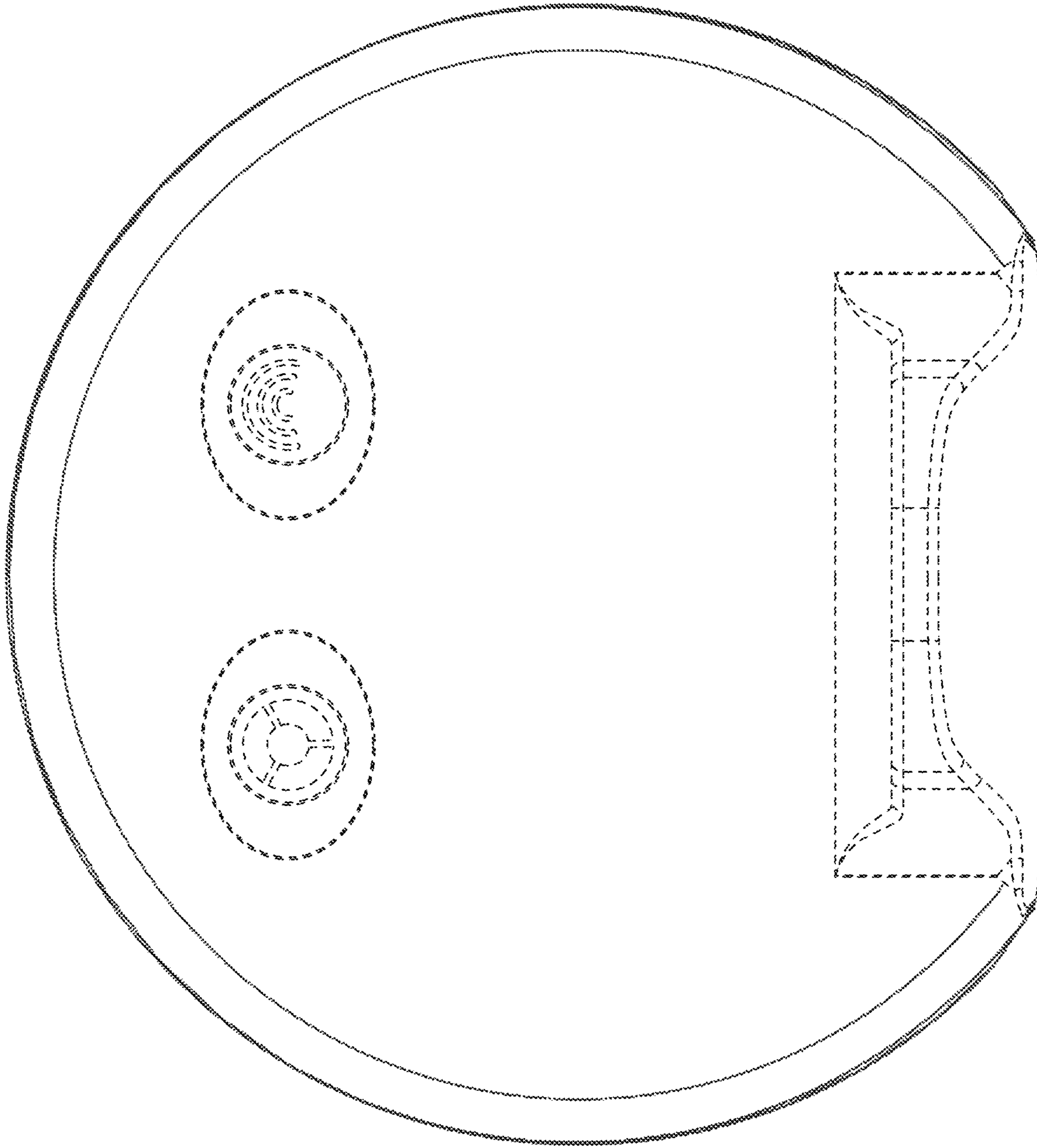


Fig. 11

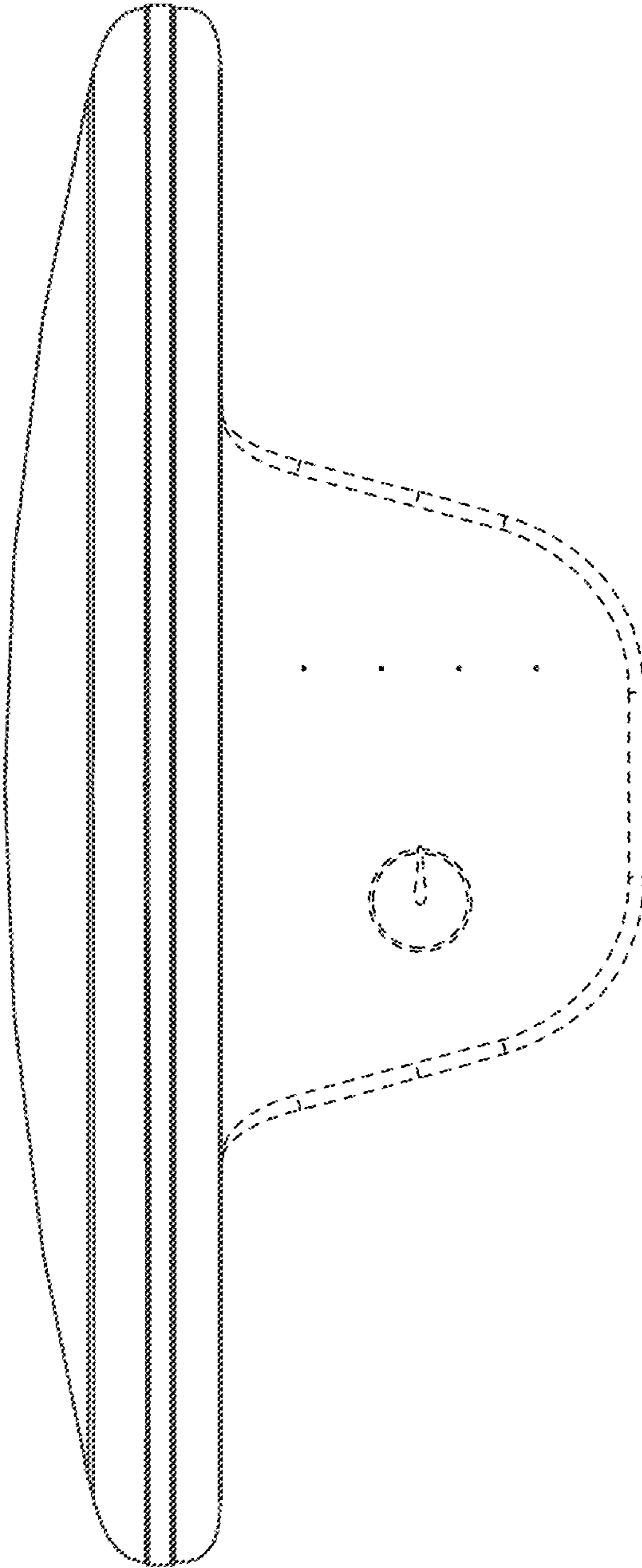


Fig. 12