



US00D911596S

(12) **United States Design Patent** (10) **Patent No.:** **US D911,596 S**  
**Ormsbee et al.** (45) **Date of Patent:** **\*\* \*Feb. 23, 2021**

(54) **LIGHTING MODULE**

(71) Applicant: **Nite Ize, Inc.**, Boulder, CO (US)

(72) Inventors: **Bowden Ormsbee**, Longmont, CO (US); **Steven L. Lindquist**, Broomfield, CO (US)

(73) Assignee: **NITE IZE, INC.**, Boulder, CO (US)

(\*) Notice: This patent is subject to a terminal disclaimer.

(\*\*) Term: **15 Years**

(21) Appl. No.: **29/671,993**

(22) Filed: **Nov. 30, 2018**

(51) **LOC (13) Cl.** ..... **26-05**

(52) **U.S. Cl.**  
USPC ..... **D26/118**

(58) **Field of Classification Search**

USPC ..... D26/1, 24, 36, 40, 72, 88, 89, 118, 123, D26/124, 138

CPC ..... F21V 29/00; F21V 29/74; F21V 29/77; F21V 29/78; F21V 29/80; F21V 29/506; F21V 29/507; F21V 29/767; F21V 29/777; F21V 29/2212; F21V 21/00; F21V 21/02; F21V 21/03; F21V 21/008; F21V 15/00; F21V 15/01; F21V 15/012; F21V 31/00; F21Y 2115/10; F21Y 2103/33

See application file for complete search history.

(56) **References Cited**

U.S. PATENT DOCUMENTS

D308,947 S \* 7/1990 Downing ..... D10/106.5  
D341,442 S \* 11/1993 Shapiro ..... D26/118  
D566,323 S \* 4/2008 Piegras ..... D26/123  
D581,081 S \* 11/2008 Mier-Langner ..... D26/72

D583,967 S \* 12/2008 Leunis ..... D26/24  
D633,644 S \* 3/2011 Sprengers ..... D26/89  
D634,885 S \* 3/2011 Kim ..... D26/138  
D650,116 S \* 12/2011 Buyce ..... D26/118  
D691,744 S \* 10/2013 Tseng ..... D26/1  
D726,951 S \* 4/2015 Serwacki ..... D26/74  
D736,449 S \* 8/2015 Getty ..... D26/110  
D744,963 S \* 12/2015 Tseng ..... D13/180  
D744,964 S \* 12/2015 Sachsenweger ..... D13/180  
D745,210 S \* 12/2015 Serwacki ..... D26/138  
D761,484 S \* 7/2016 Laukkanen ..... D26/118  
D822,257 S \* 7/2018 Wang ..... D26/76  
D837,443 S \* 1/2019 Slaatto ..... D26/118  
D840,070 S \* 2/2019 Cramer ..... D26/37  
D878,639 S \* 3/2020 Luo ..... D26/24  
D880,733 S \* 4/2020 Lo ..... D26/1  
D886,335 S \* 6/2020 Zhu ..... D26/24  
2012/0243254 A1 \* 9/2012 Frost ..... F21K 9/00  
362/555  
2018/0058671 A1 \* 3/2018 Cramer ..... F21V 21/0965

(Continued)

*Primary Examiner* — Wan Laymon

*Assistant Examiner* — Clint A Samuel

(74) *Attorney, Agent, or Firm* — Haynes and Boone, LLP

(57) **CLAIM**

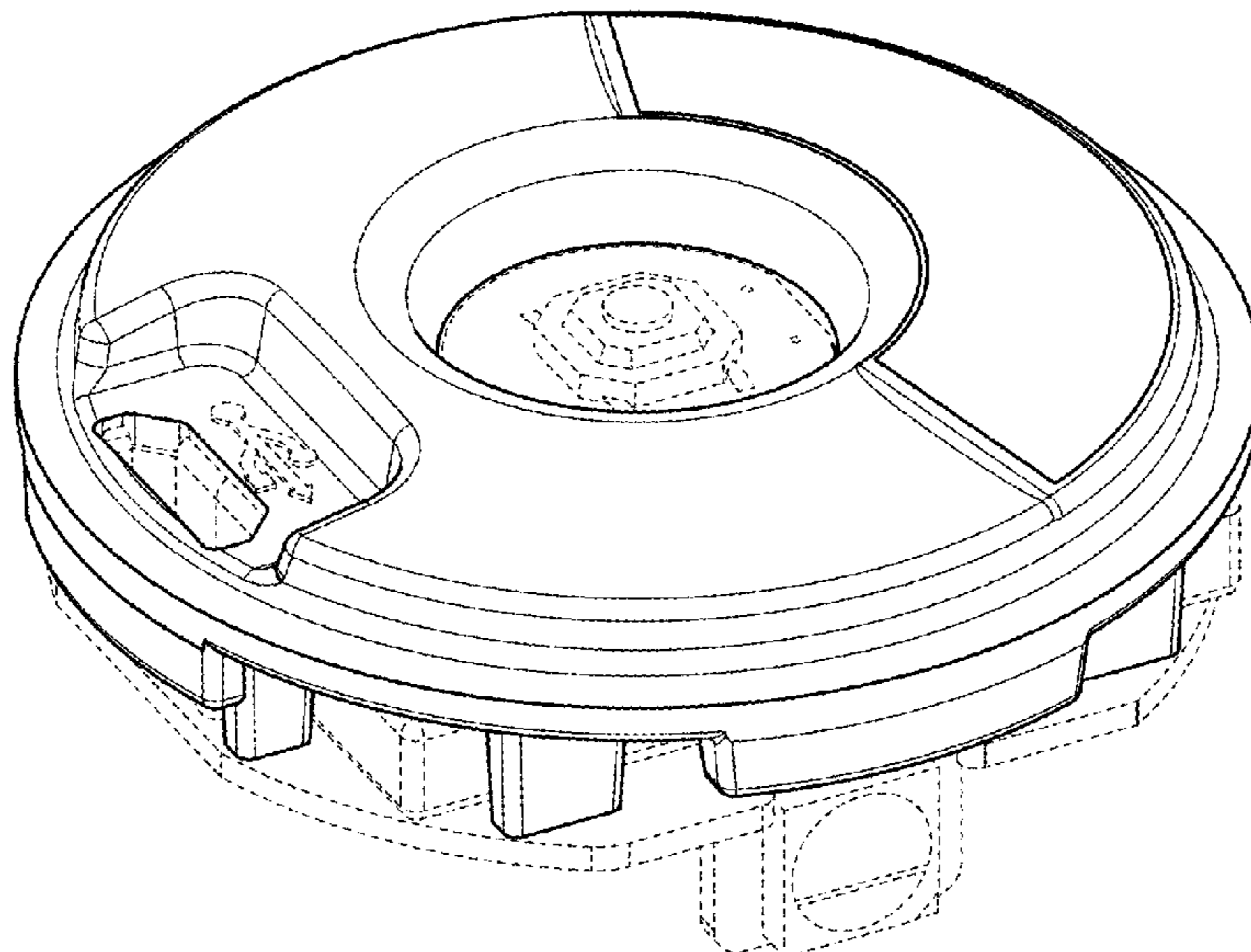
The ornamental design for a lighting module, as shown and described.

**DESCRIPTION**

FIG. 1 shows a front perspective view of a lighting module; FIG. 2 shows a top view of the lighting module of FIG. 1; FIG. 3 shows a right side view of the lighting module of FIG. 1; FIG. 4 shows a left side view of the lighting module of FIG. 1; and, FIG. 5 shows a bottom view of the lighting module of FIG. 1.

The broken line showing in the drawings is included for the purpose of illustrating portions of the Lighting Module and forms no part of the claimed design.

**1 Claim, 3 Drawing Sheets**



(56)

**References Cited**

U.S. PATENT DOCUMENTS

2020/0058201 A1\* 2/2020 Mochida ..... G08B 5/36  
2020/0173637 A1\* 6/2020 Ormsbee ..... F21V 15/01

\* cited by examiner

FIG. 1

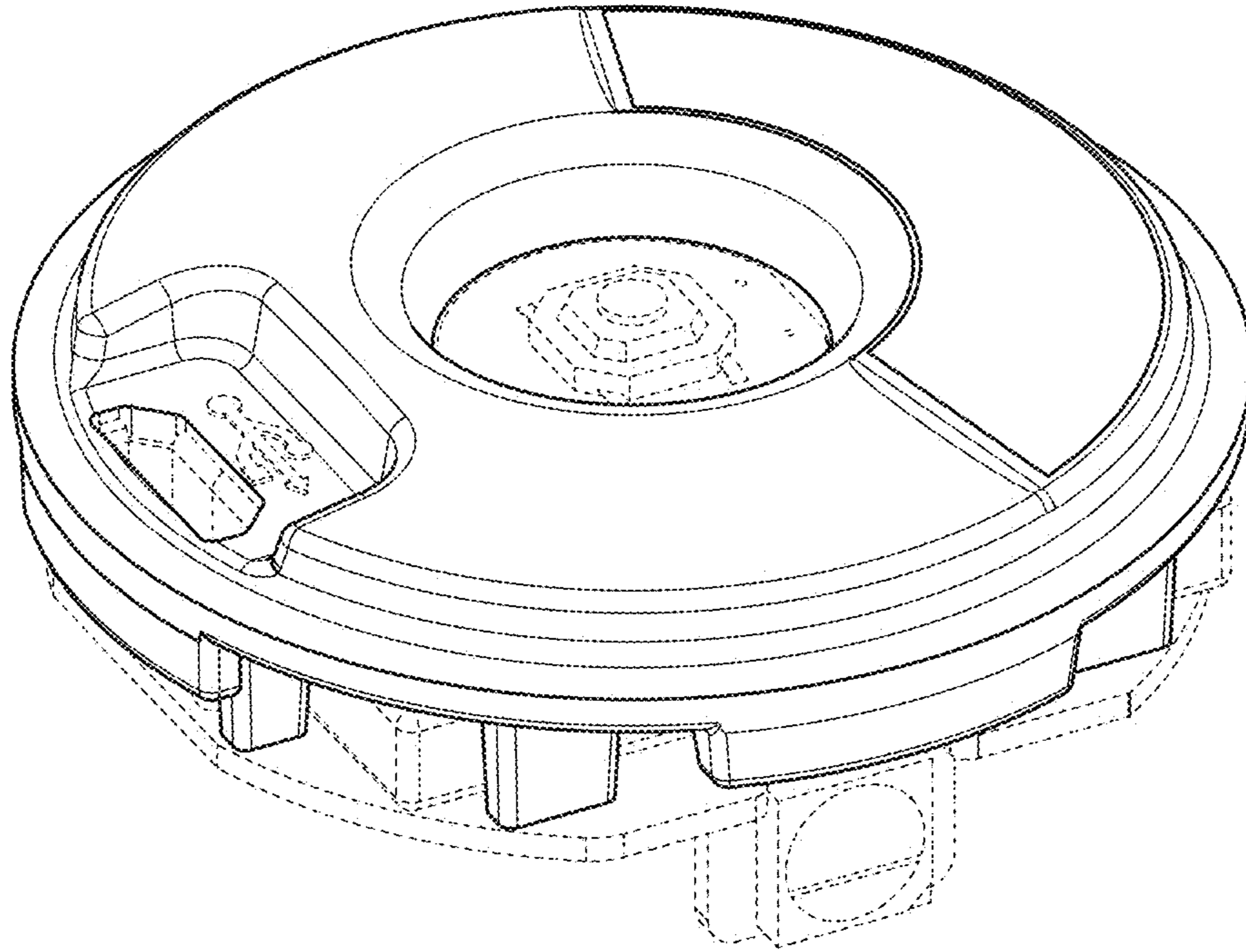
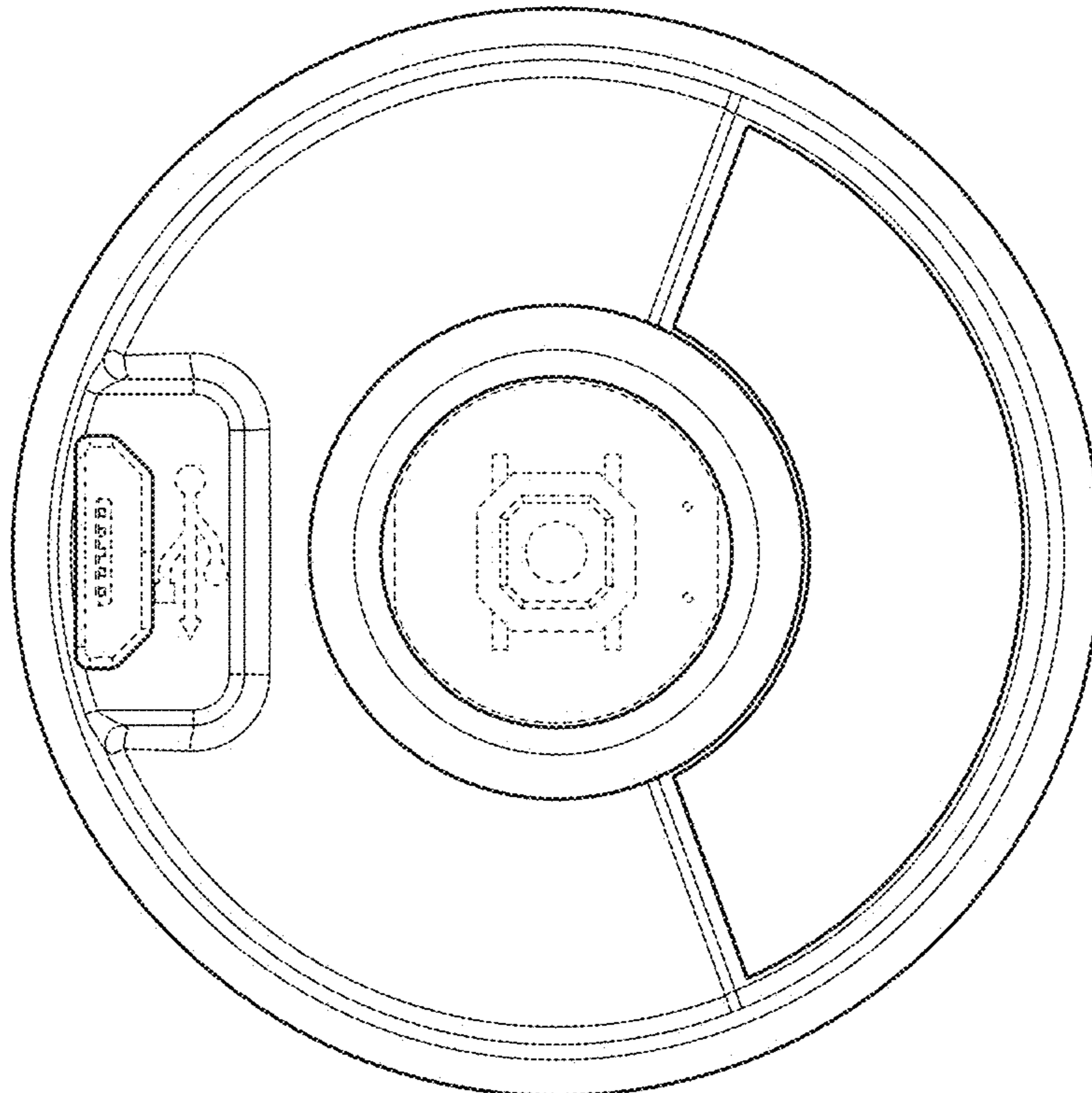
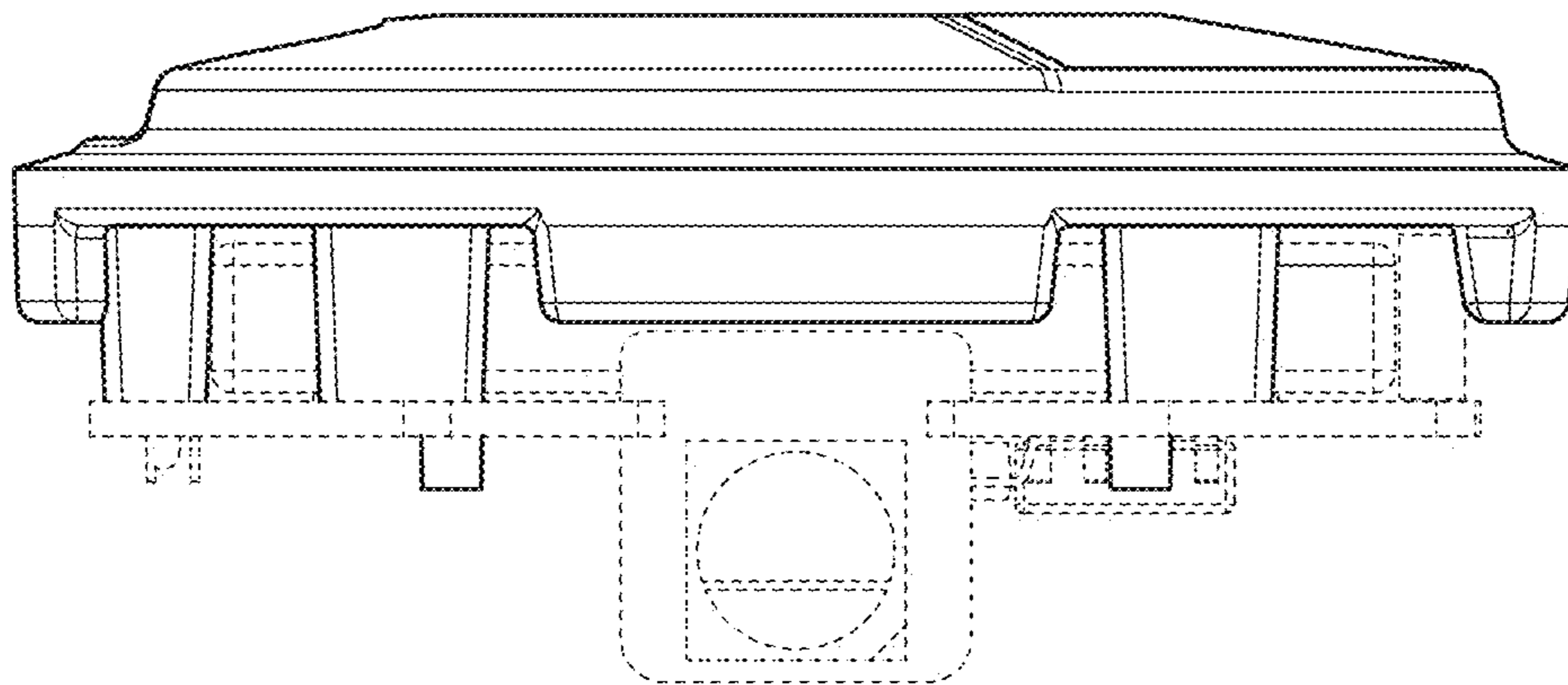


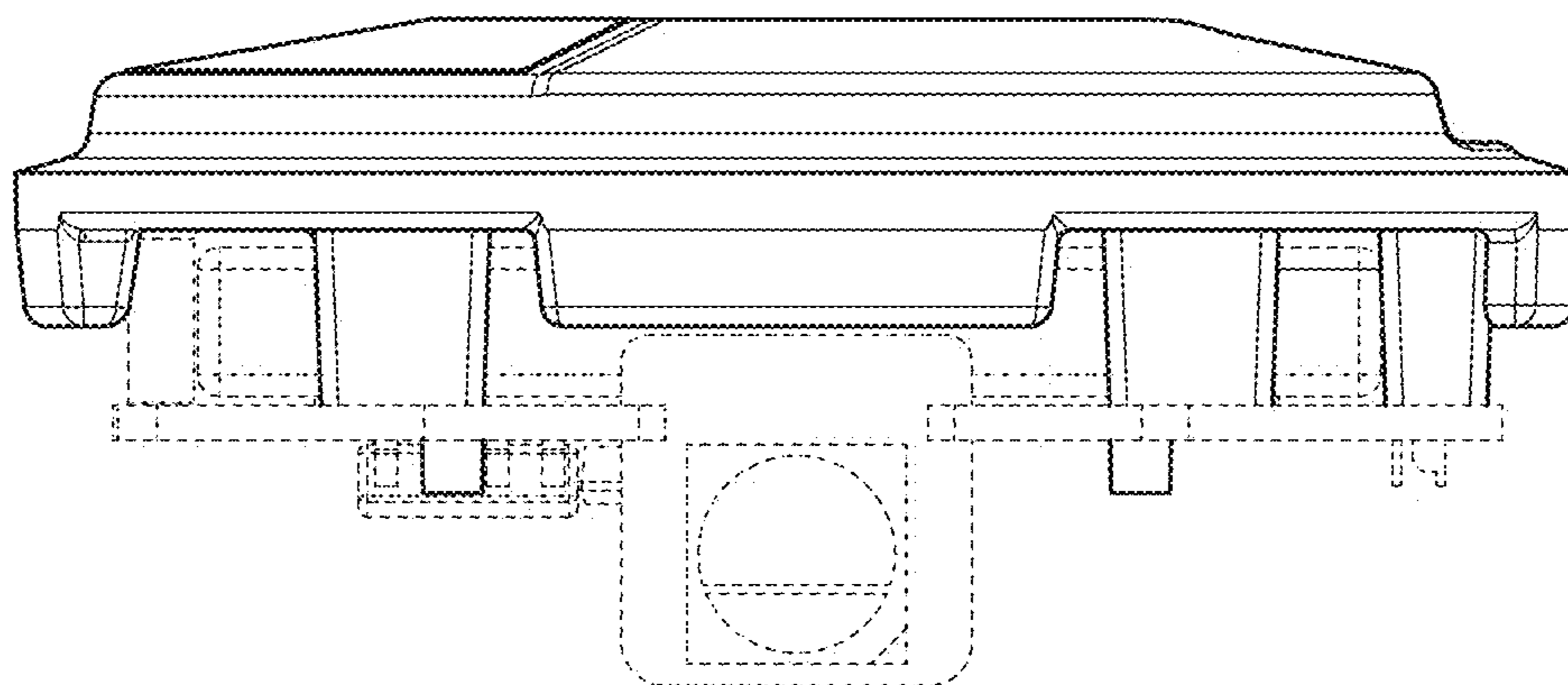
FIG. 2



**FIG. 3**



**FIG. 4**



**FIG. 5**

