



US00D911595S

(12) **United States Design Patent**  
**Giessler**

(10) **Patent No.:** **US D911,595 S**

(45) **Date of Patent:** **\*\* Feb. 23, 2021**

(54) **DOWNLIGHT SPOT**

(71) Applicant: **erco gmbh**, Luedenscheid (DE)

(72) Inventor: **Holm Giessler**, Essen (DE)

(73) Assignee: **ERCO GMBH**, Luedenscheid (DE)

(\*\*) Term: **15 Years**

(21) Appl. No.: **29/662,191**

(22) Filed: **Sep. 4, 2018**

(30) **Foreign Application Priority Data**

Mar. 9, 2018 (DE) ..... 004748390

(51) **LOC (13) Cl.** ..... **26-05**

(52) **U.S. Cl.**  
USPC ..... **D26/118**

(58) **Field of Classification Search**  
USPC ..... D26/1, 24, 63, 67, 72, 73, 83, 85, 91,  
D26/118, 119, 135

CPC ..... F21V 21/00; F21V 21/14; F21V 21/30;  
F21V 14/00; F21V 14/02; F21V 13/04;  
F21V 7/00; F21V 7/0091; F21V 1/00;  
F21V 1/04; F21V 1/08; F21V 1/14; F21S  
8/00; F21S 8/003; F21S 8/043

See application file for complete search history.

(56) **References Cited**

**U.S. PATENT DOCUMENTS**

D711,030 S \* 8/2014 Zhan ..... D26/65  
D770,074 S \* 10/2016 Romano ..... D26/63

D788,966 S \* 6/2017 Gan ..... D26/63  
D816,253 S \* 4/2018 Ruberg ..... D26/63  
D821,011 S \* 6/2018 Yan ..... D26/63  
D855,245 S \* 7/2019 Chami ..... D26/118  
D864,458 S \* 10/2019 Liu ..... D26/85  
D875,984 S \* 2/2020 Xiao ..... D26/63  
2017/0234520 A1 \* 8/2017 Yu ..... F21V 29/83  
362/294

\* cited by examiner

*Primary Examiner* — Wan Laymon

*Assistant Examiner* — Clint A Samuel

(74) *Attorney, Agent, or Firm* — Andrew Wilford

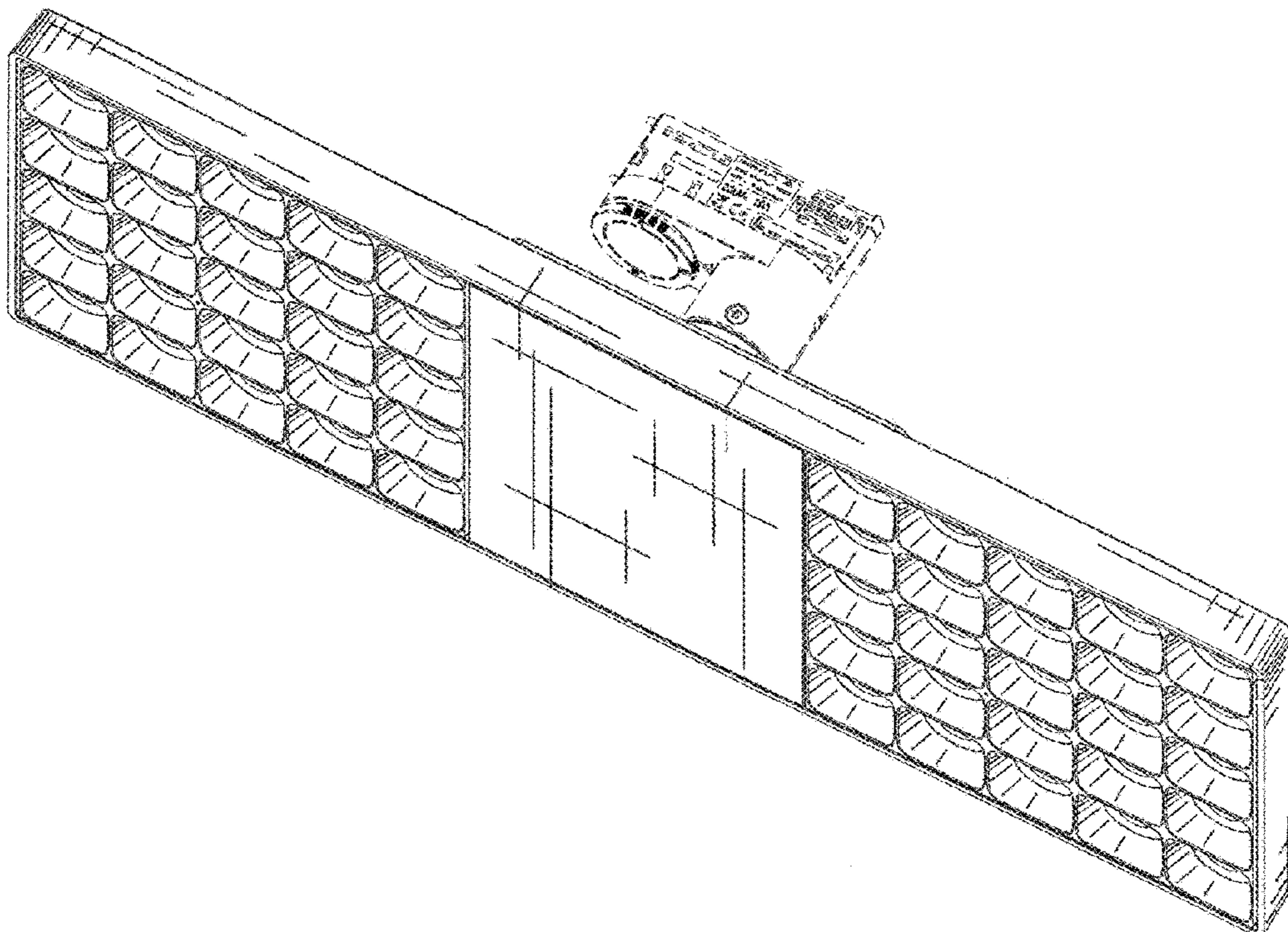
(57) **CLAIM**

The ornamental design for a downlight spot, as shown and described.

**DESCRIPTION**

FIG. 1 is a perspective front view of the invention;  
FIG. 2 is a perspective rear view of the invention;  
FIG. 3 is a side elevational view of the invention, the  
opposite side being a mirror image thereof;  
FIG. 4 is a top view of the invention;  
FIG. 5 is a front view of the invention; and,  
FIG. 6 is a rear view of the invention.

**1 Claim, 4 Drawing Sheets**



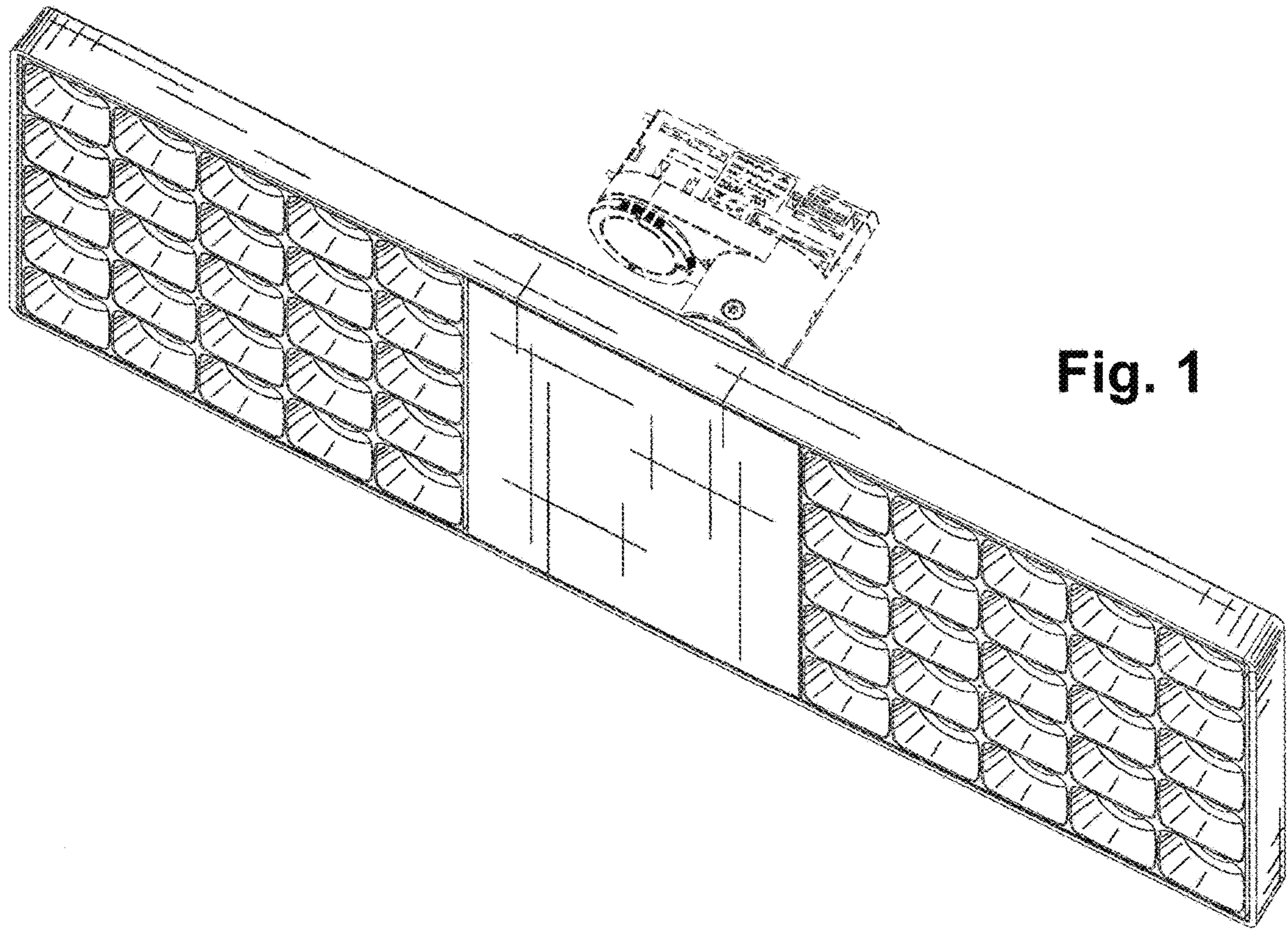


Fig. 1

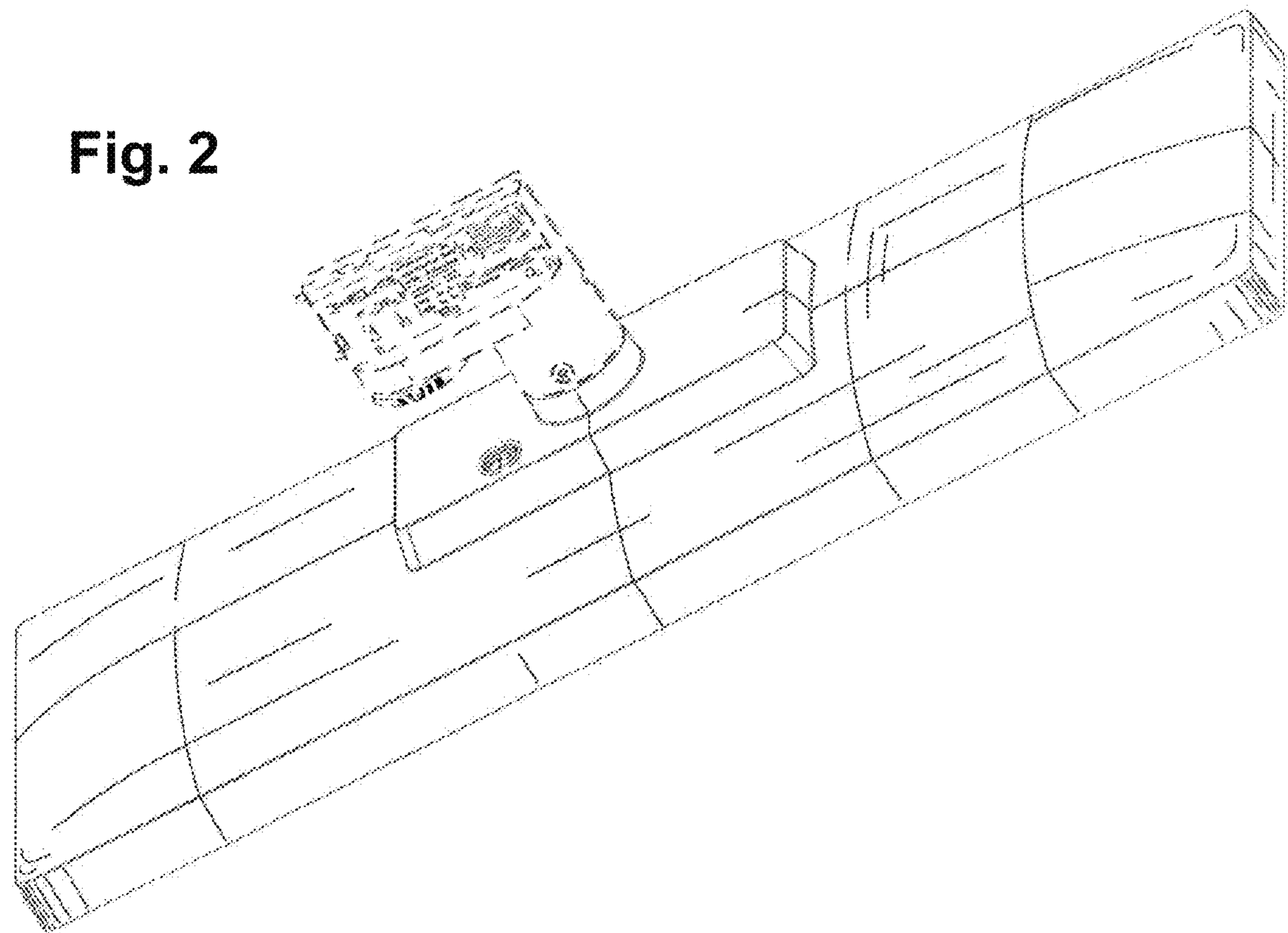
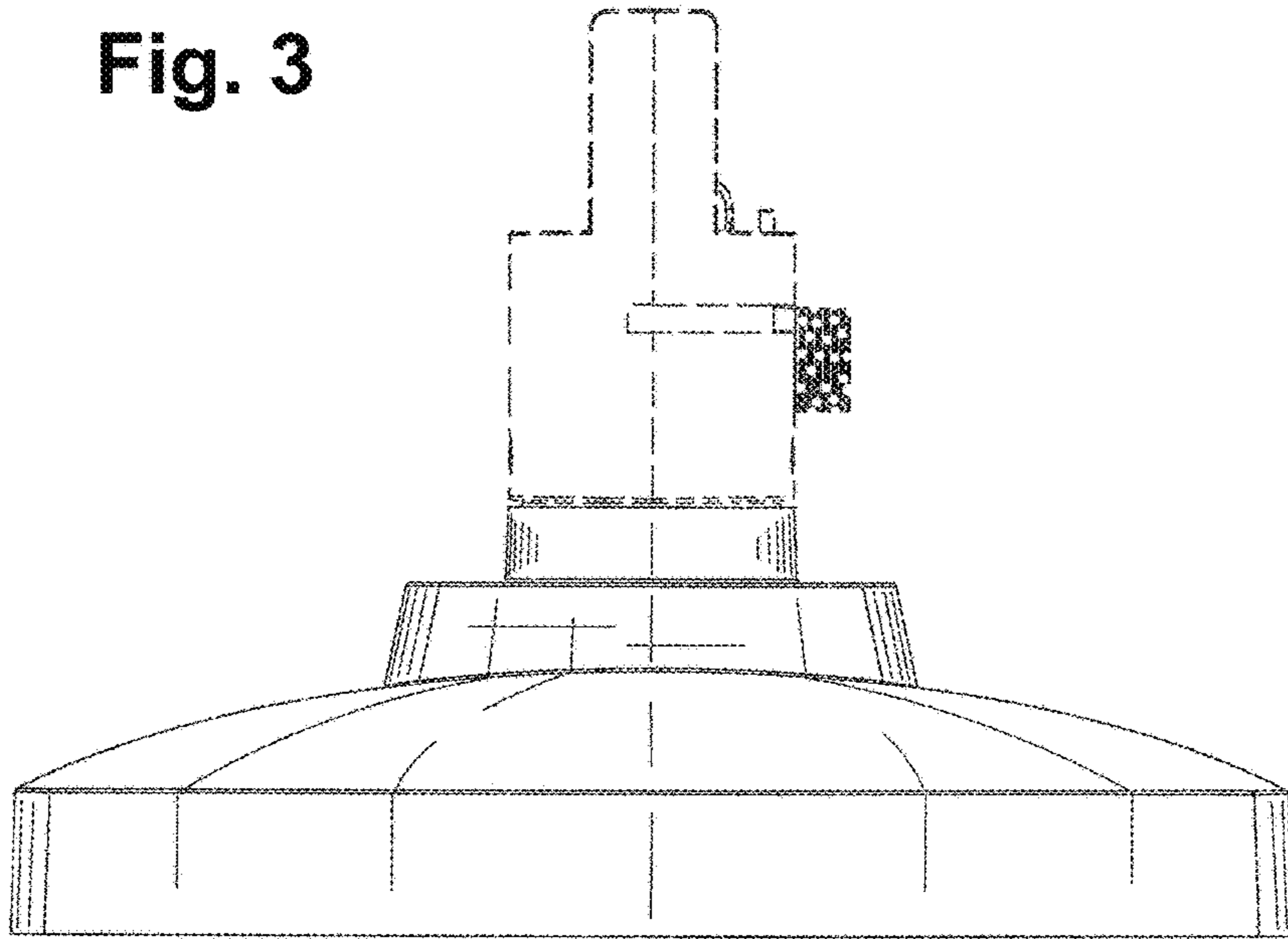
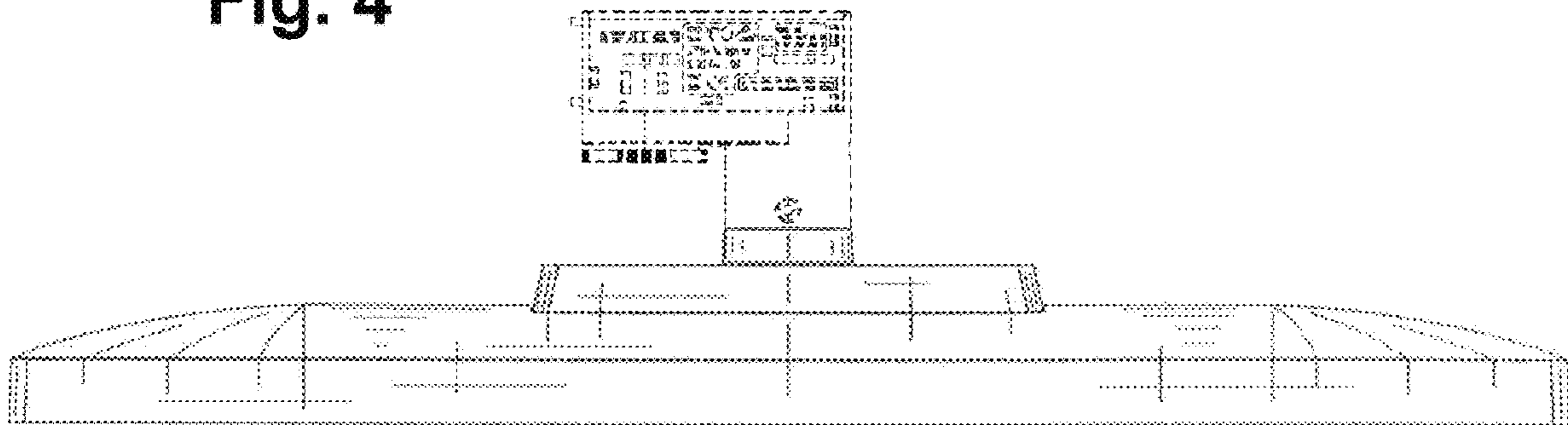


Fig. 2

**Fig. 3**



**Fig. 4**



**Fig. 5**

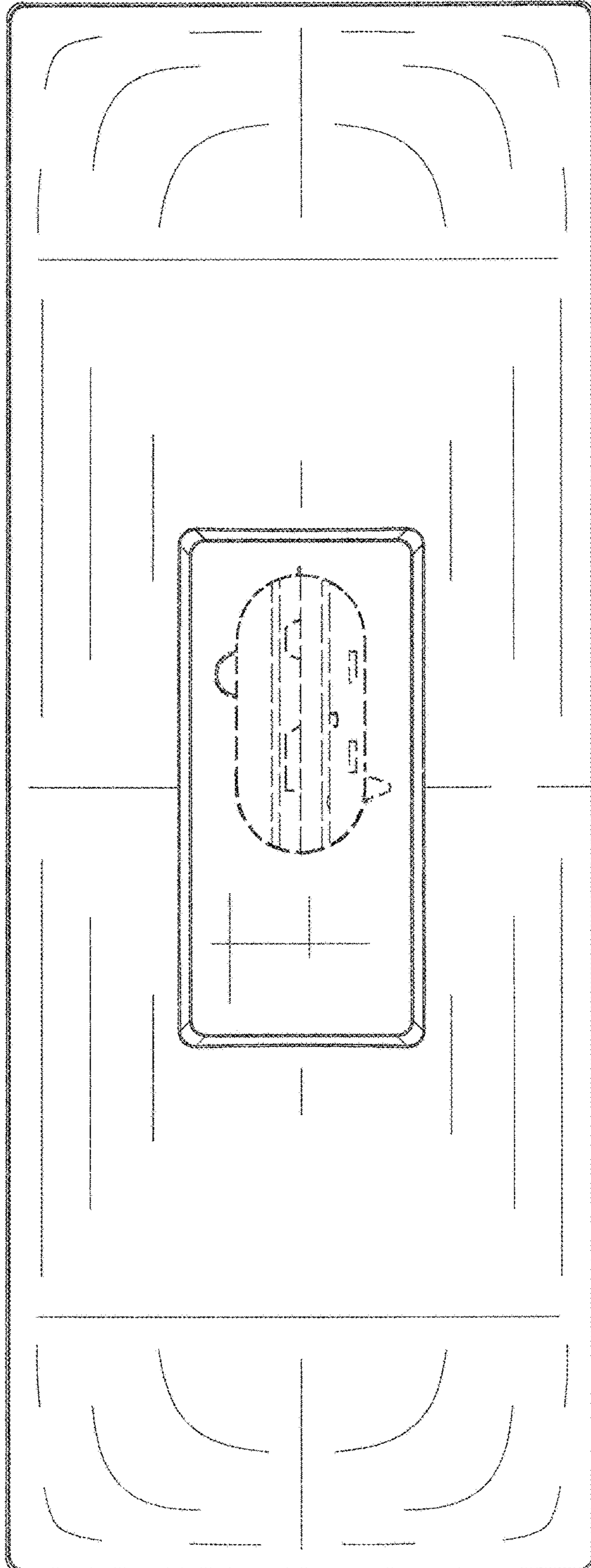


Fig. 6

