



US00D911593S

(12) **United States Design Patent**  
**Lai**

(10) **Patent No.:** **US D911,593 S**

(45) **Date of Patent:** **\*\* Feb. 23, 2021**

(54) **OPTICAL ELEMENT FOR VEHICLE LIGHTHEAD**

(71) Applicant: **Juluen Enterprise Co., Ltd.**, New Taipei (TW)

(72) Inventor: **Wen-Hsiang Lai**, New Taipei (TW)

(73) Assignee: **Juluen Enterprise Co., Ltd.**, New Taipei (TW)

(\*\*) Term: **15 Years**

(21) Appl. No.: **29/669,769**

(22) Filed: **Nov. 11, 2018**

(51) **LOC (13) Cl.** ..... **26-99**

(52) **U.S. Cl.**  
USPC ..... **D26/113**

(58) **Field of Classification Search**  
USPC ..... D26/28, 31, 74, 76, 113, 120, 122, 128  
CPC ..... B60Q 1/2611; B60Q 1/268; B60Q 1/52  
See application file for complete search history.

(56) **References Cited**

**U.S. PATENT DOCUMENTS**

- D397,479 S \* 8/1998 Compton ..... D26/76
- D738,031 S \* 9/2015 Martins ..... D26/118
- D797,364 S \* 9/2017 Deyaf ..... D26/120

- D873,450 S \* 1/2020 Chen ..... D26/28
- D875,974 S \* 2/2020 Chen ..... D26/28
- D881,428 S \* 4/2020 Ko ..... D26/28
- D884,936 S \* 5/2020 Chen ..... D26/28
- D888,295 S \* 6/2020 Grabowski ..... D26/28

\* cited by examiner

*Primary Examiner* — Zenia I Bennett

(74) *Attorney, Agent, or Firm* — Winston Hsu

(57) **CLAIM**

The ornamental design for an optical element for vehicle lighthouse, as shown and described.

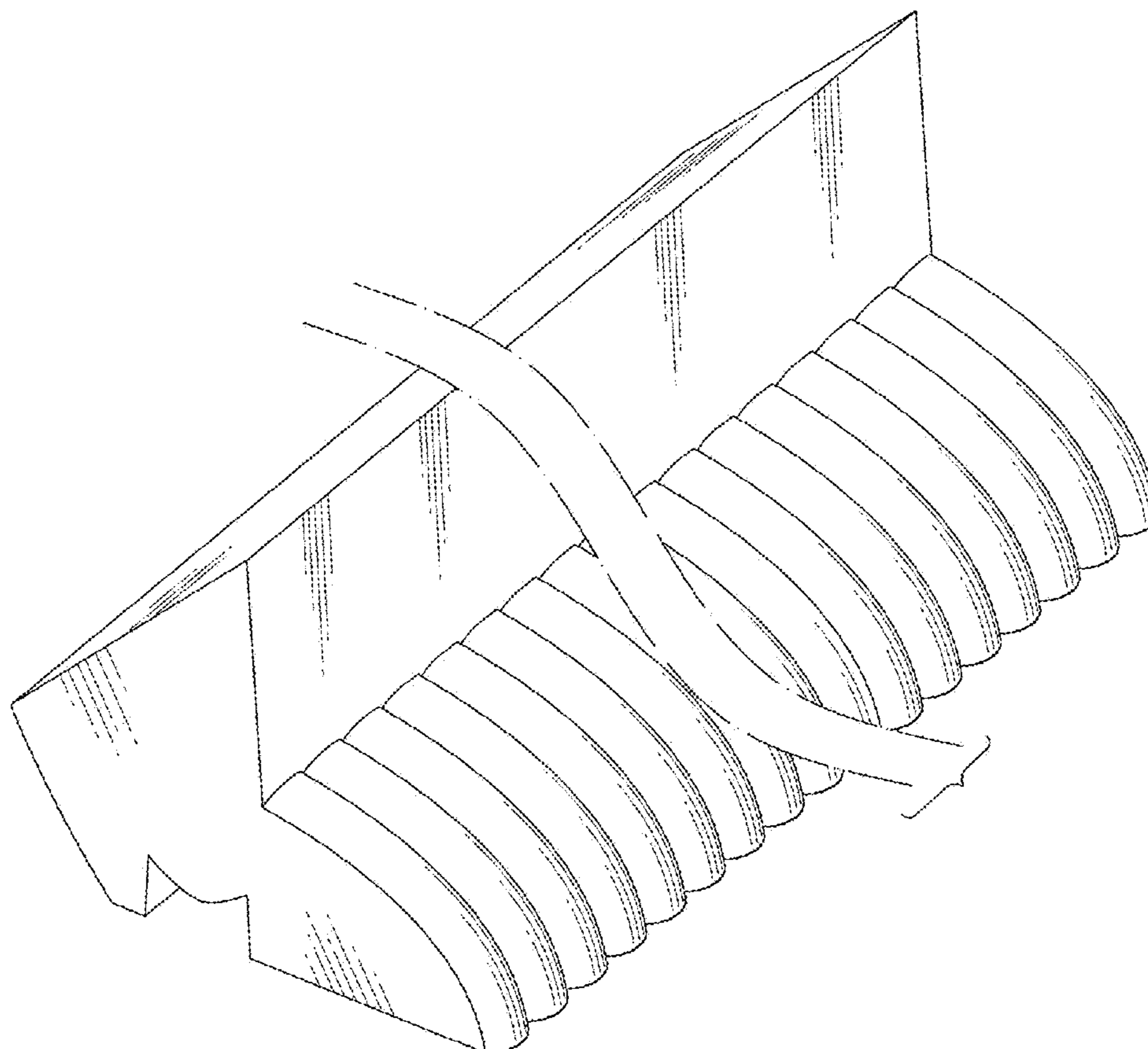
**DESCRIPTION**

FIG. 1 is a front, top and right perspective view of an optical element for vehicle lighthouse showing my new design; FIG. 2 is a top, rear and right perspective view thereof; FIG. 3 is a front elevation view thereof; FIG. 4 is a rear elevation view thereof; FIG. 5 is a left side elevation view thereof; FIG. 6 is a right side elevation view thereof; and, FIG. 7 is a top plan view of the optical element for vehicle lighthouse, wherein the bottom view is a mirror image thereof.

The optical element for vehicle lighthouse have been shown separated and bound by dot-dash broken lines and a bracket to indicate indeterminate length.

The dot-dash broken lines in the figures show boundaries that form no part of the claimed design.

**1 Claim, 7 Drawing Sheets**



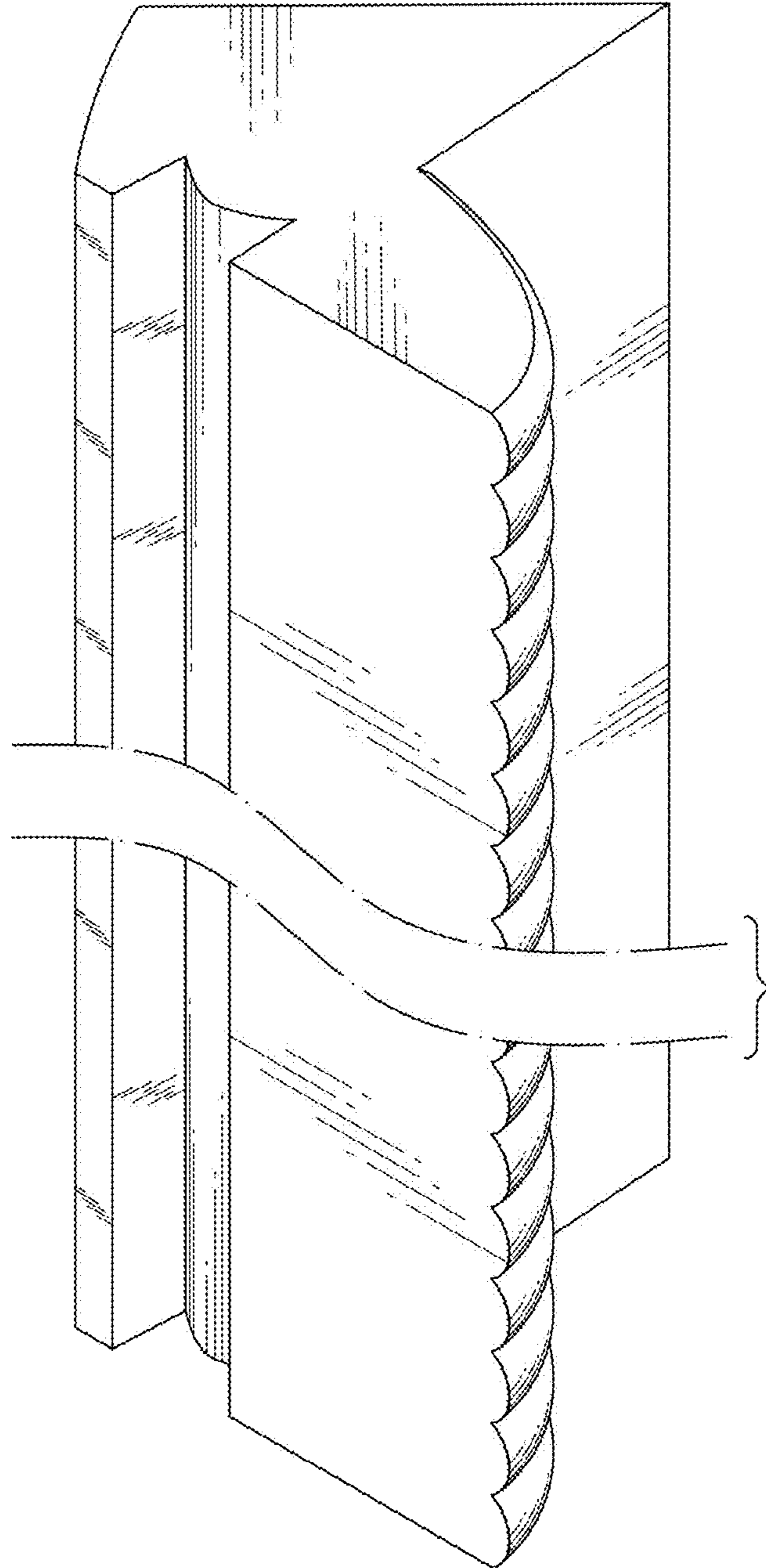


FIG. 1

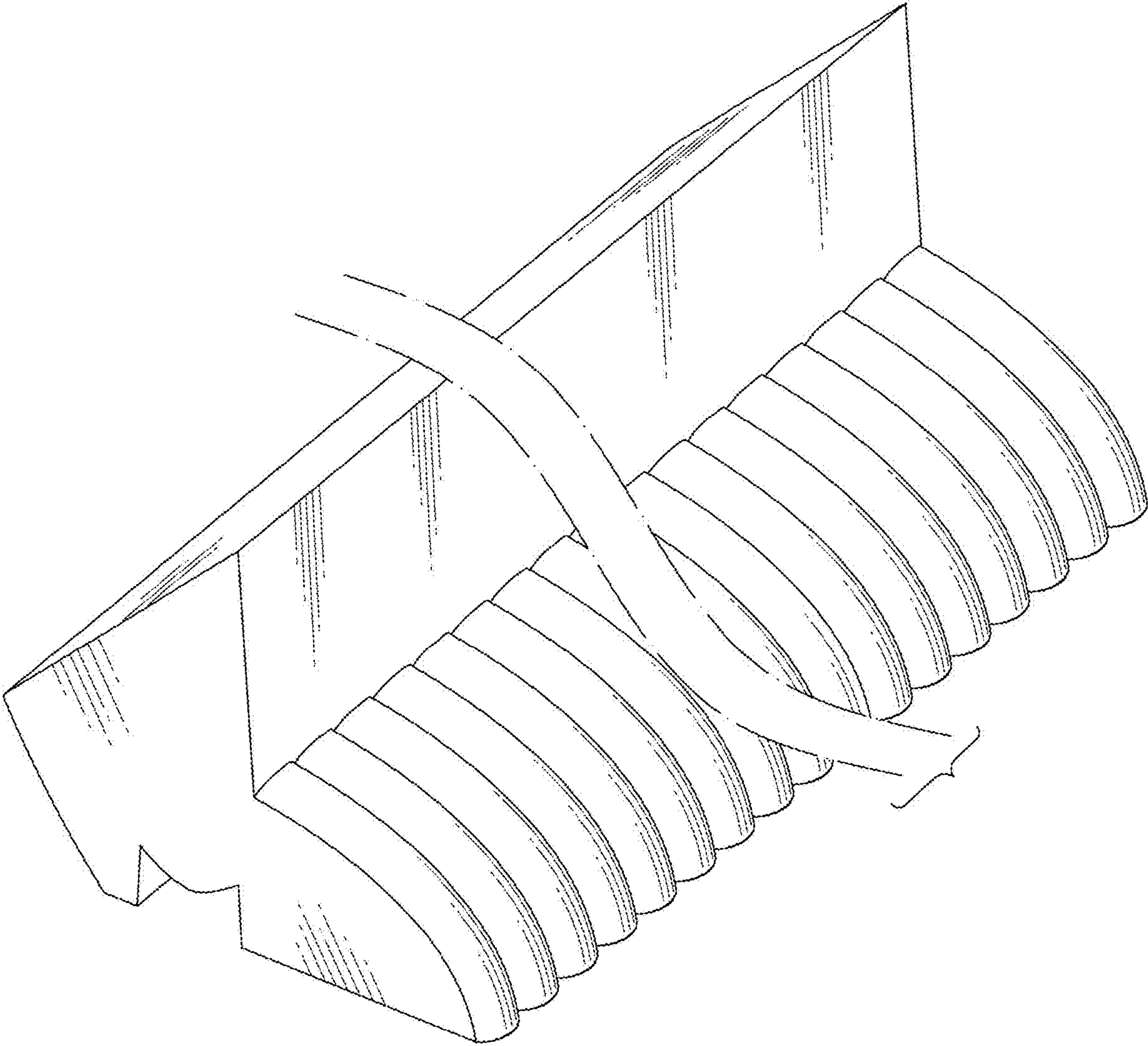


FIG. 2

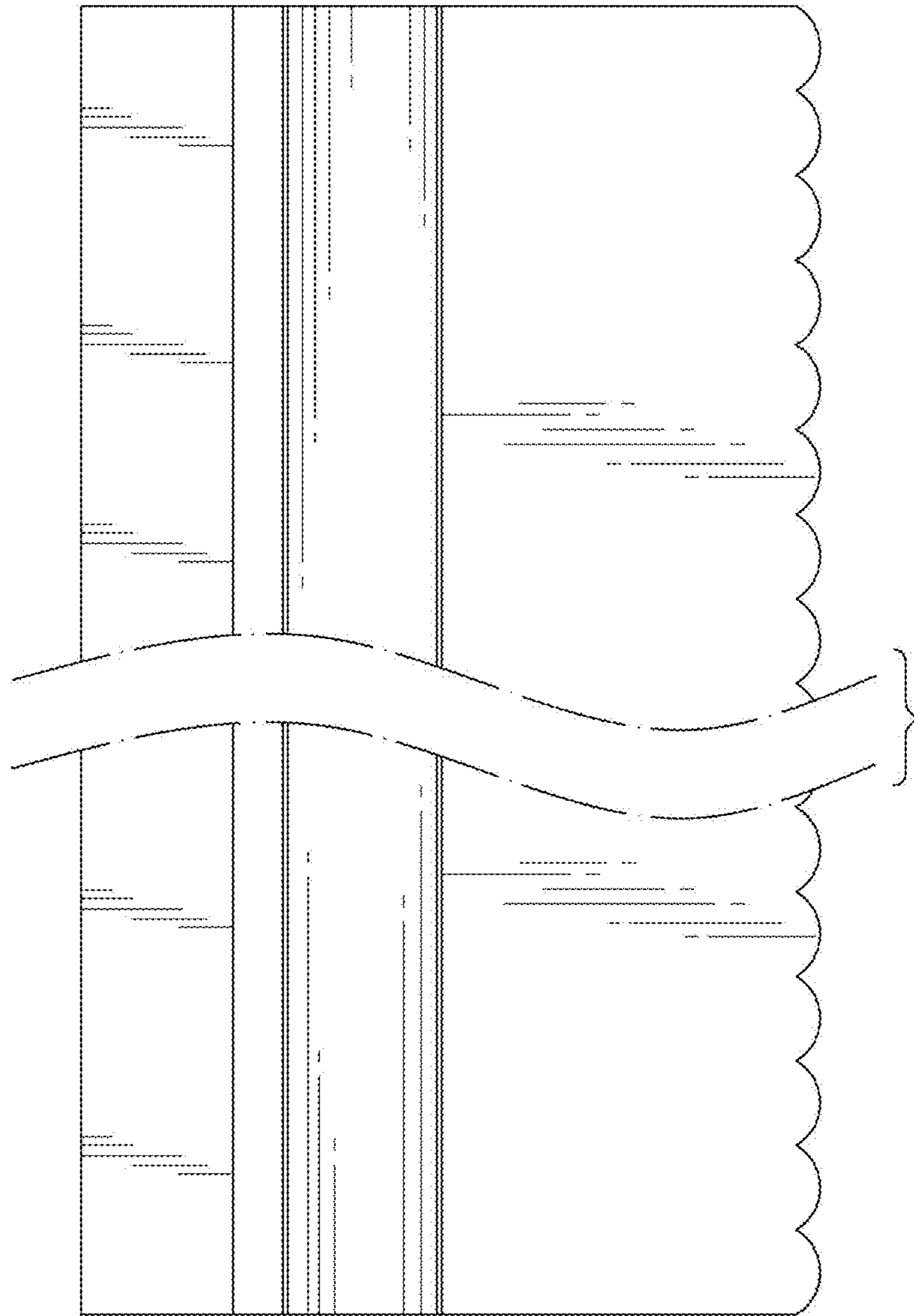


FIG. 3



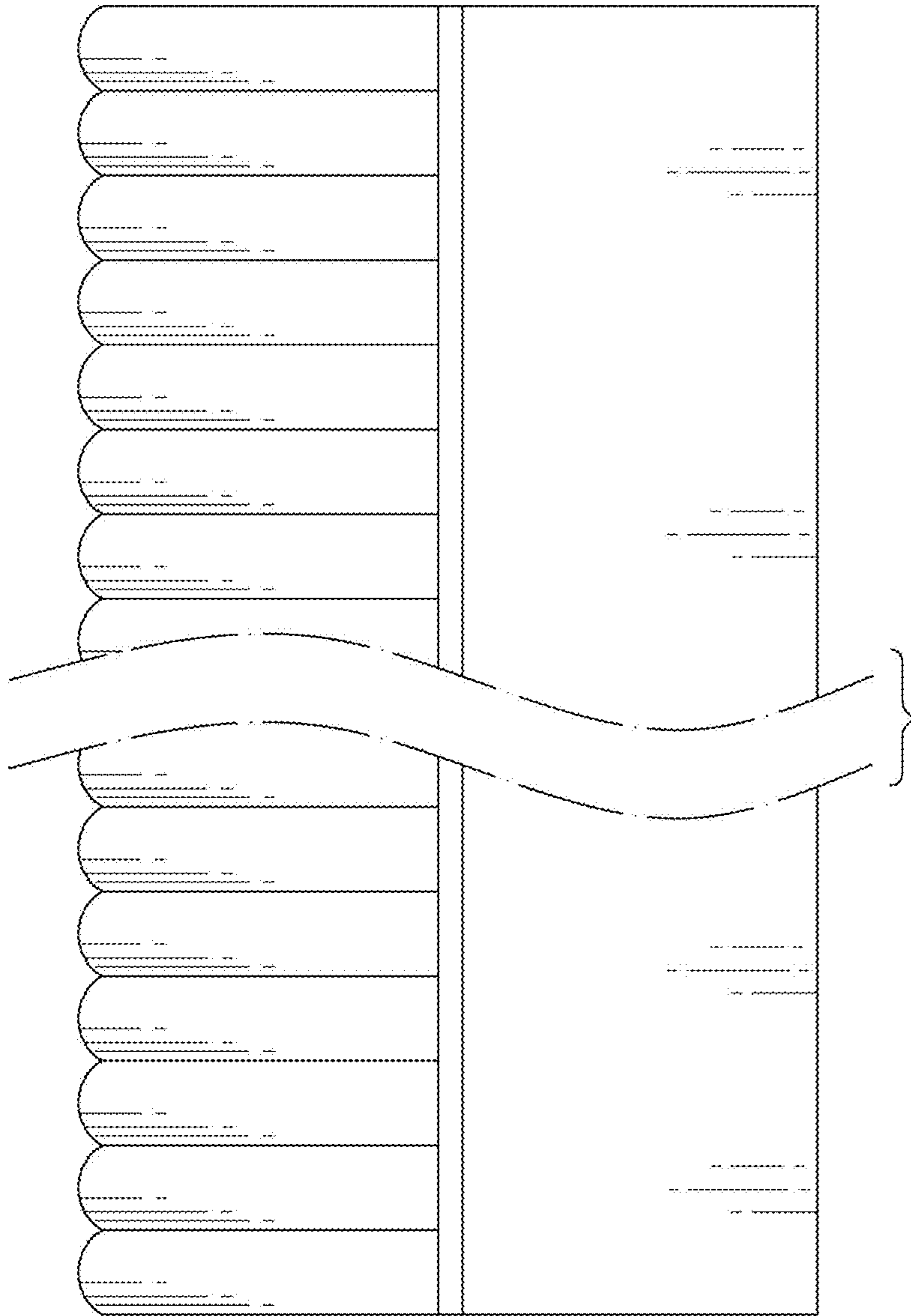


FIG. 4

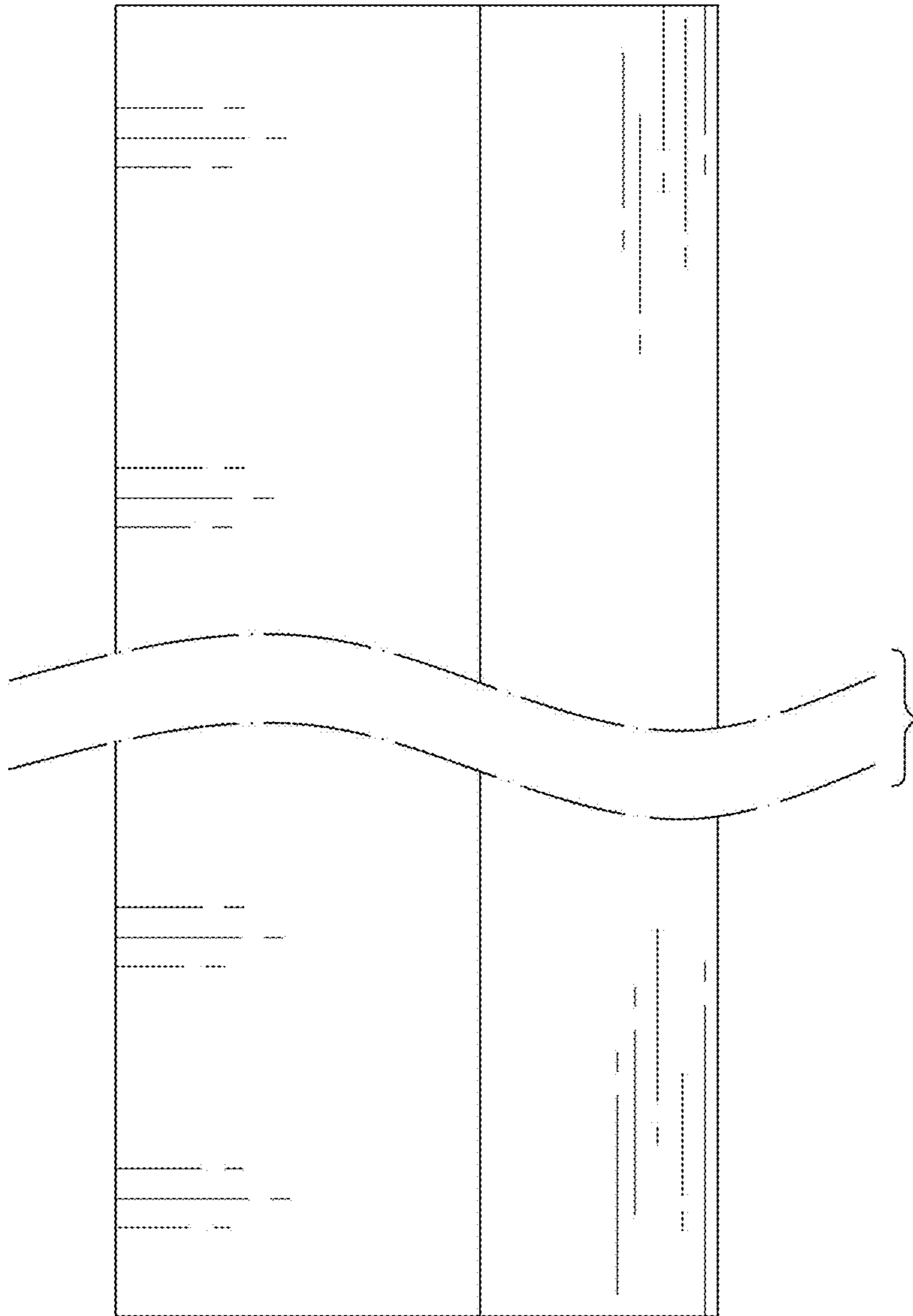


FIG. 5

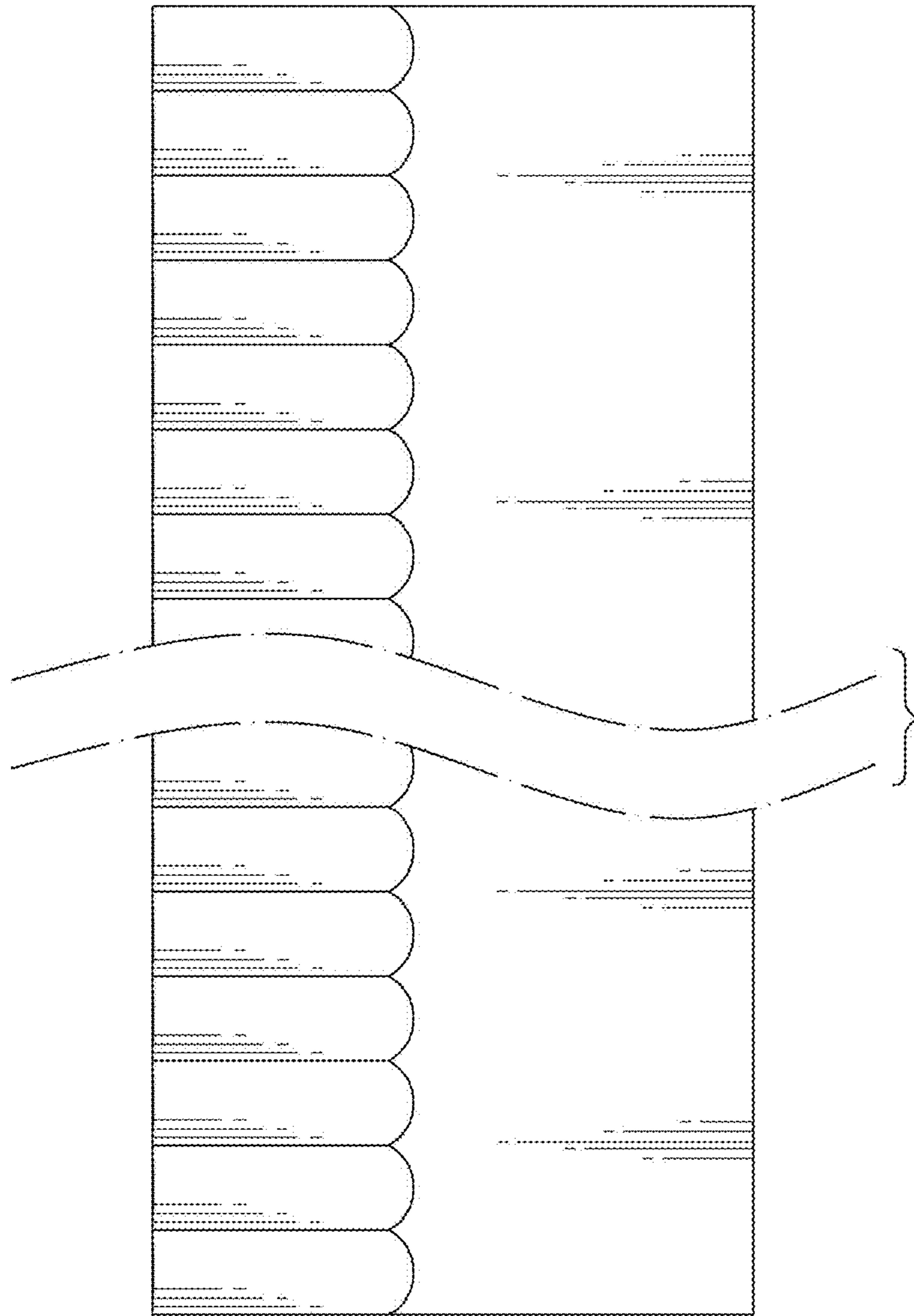


FIG. 6

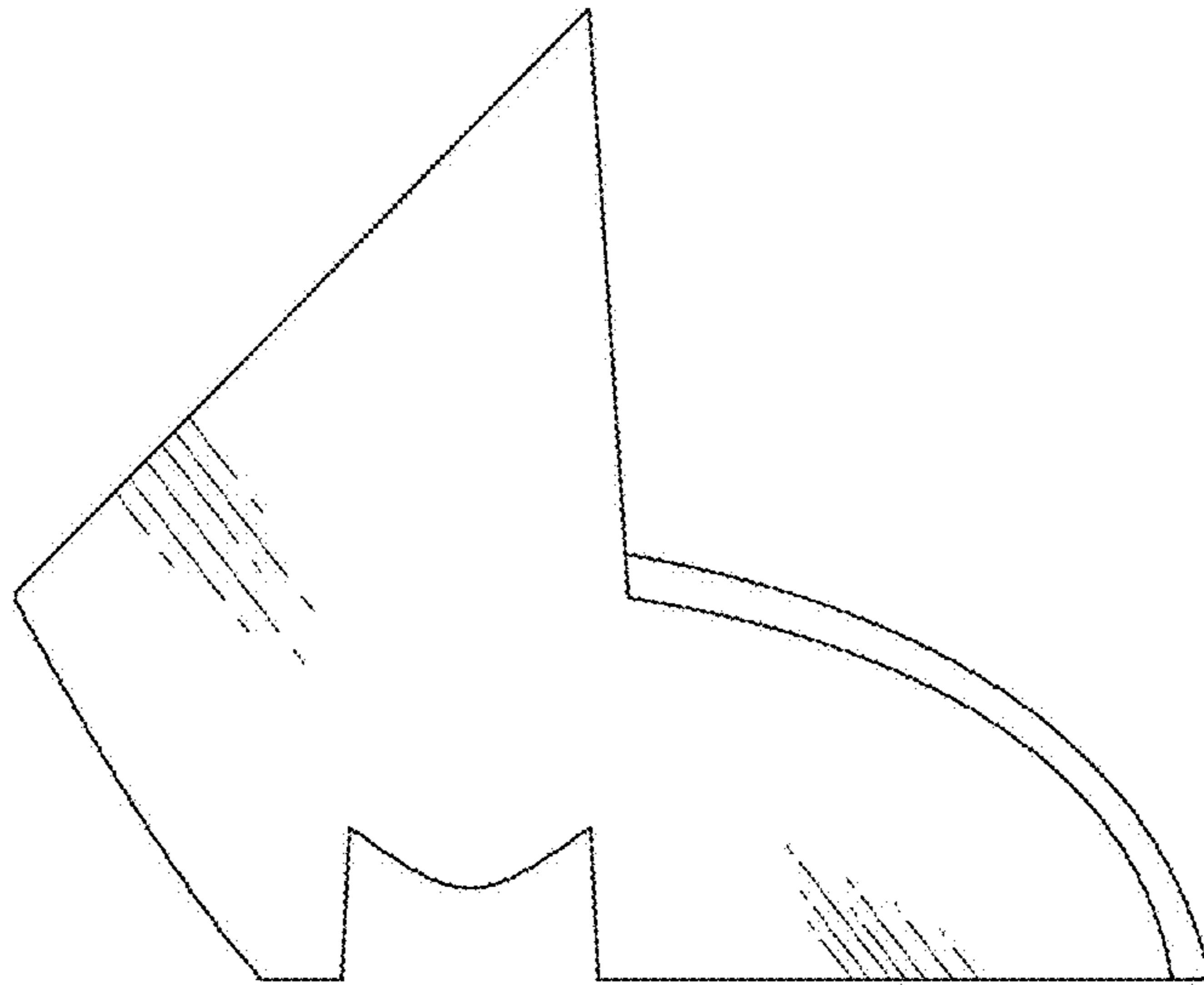


FIG. 7