



US00D911592S

(12) **United States Design Patent** (10) **Patent No.:** **US D911,592 S**
Yaphe et al. (45) **Date of Patent:** **** *Feb. 23, 2021**

(54) **LIGHT FIXTURE SEGMENT**

(71) Applicant: **AXIS LIGHTING INC.**, Lasalle (CA)

(72) Inventors: **Howard Yaphe**, Lasalle (CA); **Andrew Miles**, Lasalle (CA); **Stephane Beland**, Lasalle (CA); **Jean Gagne**, Lasalle (CA)

(73) Assignee: **Axis Lighting Inc.**, LaSalle (CA)

(*) Notice: This patent is subject to a terminal disclaimer.

(**) Term: **15 Years**

(21) Appl. No.: **29/664,989**

(22) Filed: **Sep. 28, 2018**

Related U.S. Application Data

(63) Continuation of application No. 29/623,018, filed on Oct. 20, 2017, now abandoned, which is a (Continued)

(51) **LOC (13) Cl.** **26-99**

(52) **U.S. Cl.**
USPC **D26/113**

(58) **Field of Classification Search**
USPC D26/24, 70, 71, 72, 74-77, 80, 83, 88, D26/113, 118-120, 122, 138, 144 (Continued)

(56) **References Cited**

U.S. PATENT DOCUMENTS

D97,213 S * 10/1935 Stone D26/83
5,452,187 A * 9/1995 Belfer F21S 4/20
362/221

(Continued)

OTHER PUBLICATIONS

Esse-Ci Srl, ISDI_DIAMANTE (To the best of the Applicant's knowledge and understanding, the reference does not have a specific

publication date but is believed to have been known by the Applicant on or after Dec. 1, 2017. Applicant believes it may have been available before the priority date of the application because the earliest date relating to this material that could be located online is Apr. 2017).

(Continued)

Primary Examiner — Brian N. Vinson

(74) *Attorney, Agent, or Firm* — Barnes & Thornburg LLP

(57) **CLAIM**

What is claimed is the ornamental design for a light fixture segment, as shown and described.

DESCRIPTION

FIG. 1 is a perspective view as viewed from above of the light fixture segment of our design, showing four illuminatable surfaces, in an illuminated state;

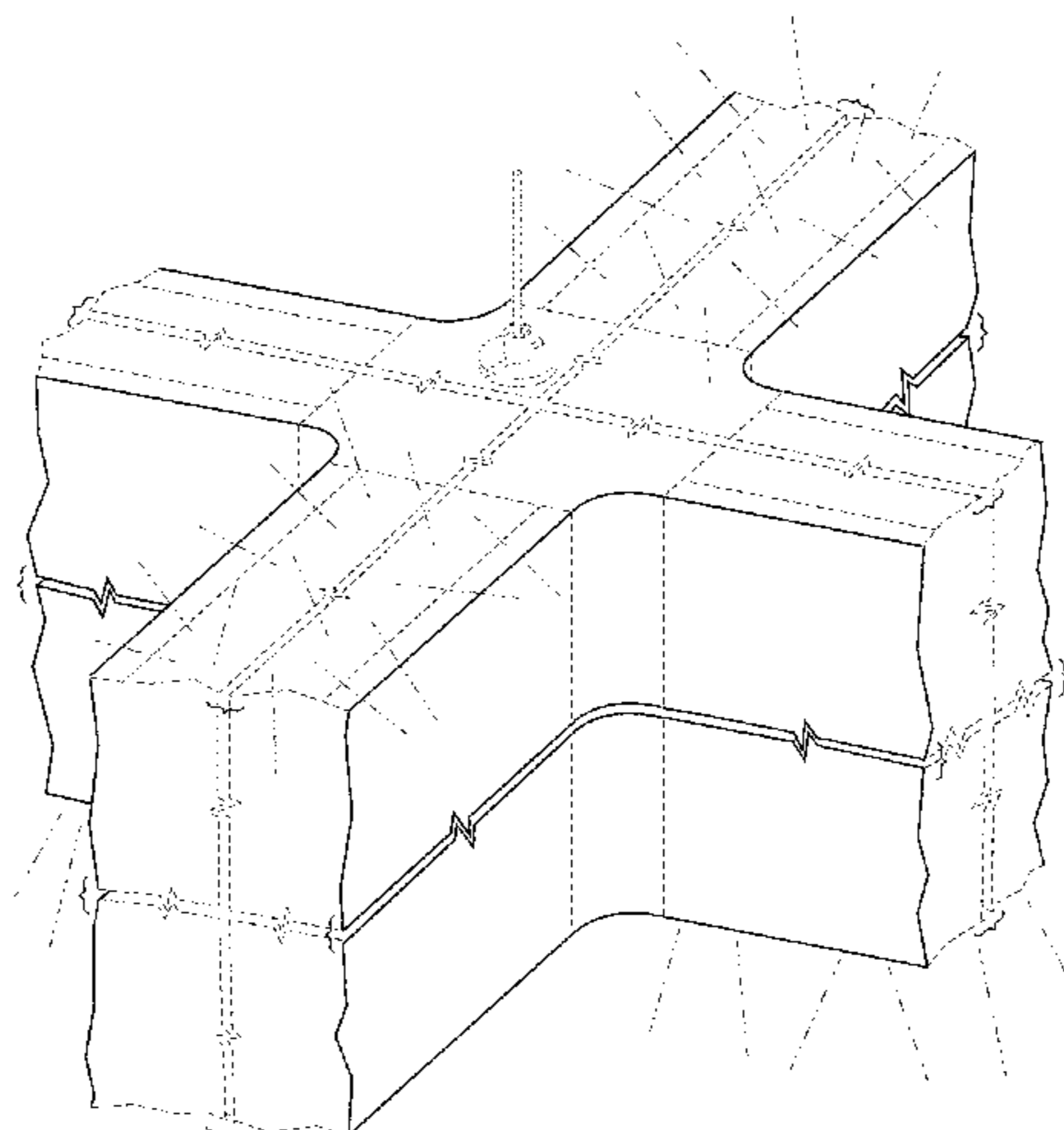
FIG. 2 is a perspective view as viewed from below thereof, showing three illuminatable surfaces, in an illuminated state; FIG. 3 is a front elevational view thereof, showing three illuminatable surfaces, in an illuminated state, where the rear, right and left side elevational views are identical images of this view and, therefore, have been omitted;

FIG. 4 is a top plan view thereof, showing two illuminatable surfaces, in an illuminated state; and,

FIG. 5 is a bottom plan view thereof, showing two illuminatable surfaces, in an illuminated state.

The light fixture segment is an illuminatable device capable of multiple states of illumination. The broken radiating line representations shown in the figures are provided for the purpose of illustrating illumination regions in a state of illumination and are not intended to depict any particular color, texture, reflectivity, or material. Light providing the illumination in an illuminated state is not indicated to be nor intended to be emanating from any particular source or type of lighting device. Embodiments of the light fixture segment in the present disclosure also encompass illustrated embodiments without the broken line radiating line illumination representations on any one or more of the surfaces presently shown therewith.

(Continued)



The broken lines in the drawings are directed to environment and are for illustrative purposes and form no part of the claimed design.

The light fixture segment is shown with symbolic break lines along its length, width and/or depth. The appearance of a portion of the article between the break lines does not form part of the design. A separation and a bracket are used to indicate that, for ease of illustration, the specific dimension of the article associated with the separation and bracket is not claimed and is to be broadly interpreted.

The light fixture segment is not limited to the scale shown here in.

1 Claim, 5 Drawing Sheets

Related U.S. Application Data

continuation-in-part of application No. 29/601,129, filed on Apr. 19, 2017, now abandoned, which is a continuation-in-part of application No. 29/601,125, filed on Apr. 19, 2017, now abandoned, which is a continuation-in-part of application No. 15/299,168, filed on Oct. 20, 2016, now Pat. No. 10,215,380.

(58) **Field of Classification Search**

CPC . A47F 3/001; H05B 33/0845; H05B 33/0842; G02B 6/0083; G02B 1/046; F21K 9/00; F21K 9/135; F21K 9/27; F21K 9/64; A61L 9/20; A61B 90/30; B60Q 1/2696; B60Q 1/2615; F21S 8/032; F21S 8/033; F21S 8/00; F21S 8/086; F21S 8/043; F21S 8/046; F21S 8/04; F21S 8/02; F21S 8/026; F21S 48/215; F21S 2/005; F21S 2/00; F21S 4/00; F21V 17/10; F21V 29/74; F21V 29/83; F21V 29/76; F21V 29/505; F21V 7/005; F21V 15/01; F21V 23/026; F21V 23/003; F21V 7/09; F21V 5/01; F21V 5/04; F21V 21/005; F21V 3/0445; F21V 1/22

See application file for complete search history.

(56)

References Cited

U.S. PATENT DOCUMENTS

6,454,431	B1 *	9/2002	Grossman	F21S 2/00
				362/150
6,464,179	B1	10/2002	Bulvan	
6,702,453	B2	3/2004	Weedon	
7,293,895	B2 *	11/2007	Grossman	F21S 2/00
				174/110 R
D565,786	S *	4/2008	Willmorth	D26/138
D591,444	S *	4/2009	Beno	D26/88
7,735,794	B1	6/2010	Gretz	
D735,928	S *	8/2015	Hawkins	D26/120
D764,095	S *	8/2016	Clark	D26/88
D797,988	S *	9/2017	Sonneman	D26/138
D826,450	S *	8/2018	Clark	D26/80
D865,263	S *	10/2019	Amato	D26/144
2009/0296381	A1	12/2009	Dubord	
2013/0050997	A1	2/2013	Bretschneider	
2014/0226316	A1	8/2014	Medendorp	
2015/0300605	A1 *	10/2015	Clark	F21V 1/22
				362/367
2015/0338068	A1	11/2015	Bolscher	
2015/0364853	A1	12/2015	Thijssen	
2016/0245488	A1 *	8/2016	Clark	F21S 2/00
2017/0082253	A1	3/2017	Sorensen	
2018/0313503	A1	11/2018	Sonneman	

OTHER PUBLICATIONS

GES Lighting Track System, GES 1-Circuit Global Track System (To the best of the Applicant's knowledge and understanding, the reference does not have a specific publication date but is believed to have been known by the Applicant on or after Dec. 1, 2017. Applicant believes it may have been available before the priority date of the application because the earliest date relating to this material that could be located online is Jun. 2017).
 Lighting Services Inc., Recessed Track Installation (2015).
 Lumenalpha™ spot, 209272, lumenpulse Global Tek 100 track system installation instructions (2016).
 Lytespan Track lighting 9100 (1999).
 Philips, Lytespan, Basic, 1 Circuit Track 6000 (2015).
 WAC Lighting, J Series 2 Circuit Track (2012).

* cited by examiner

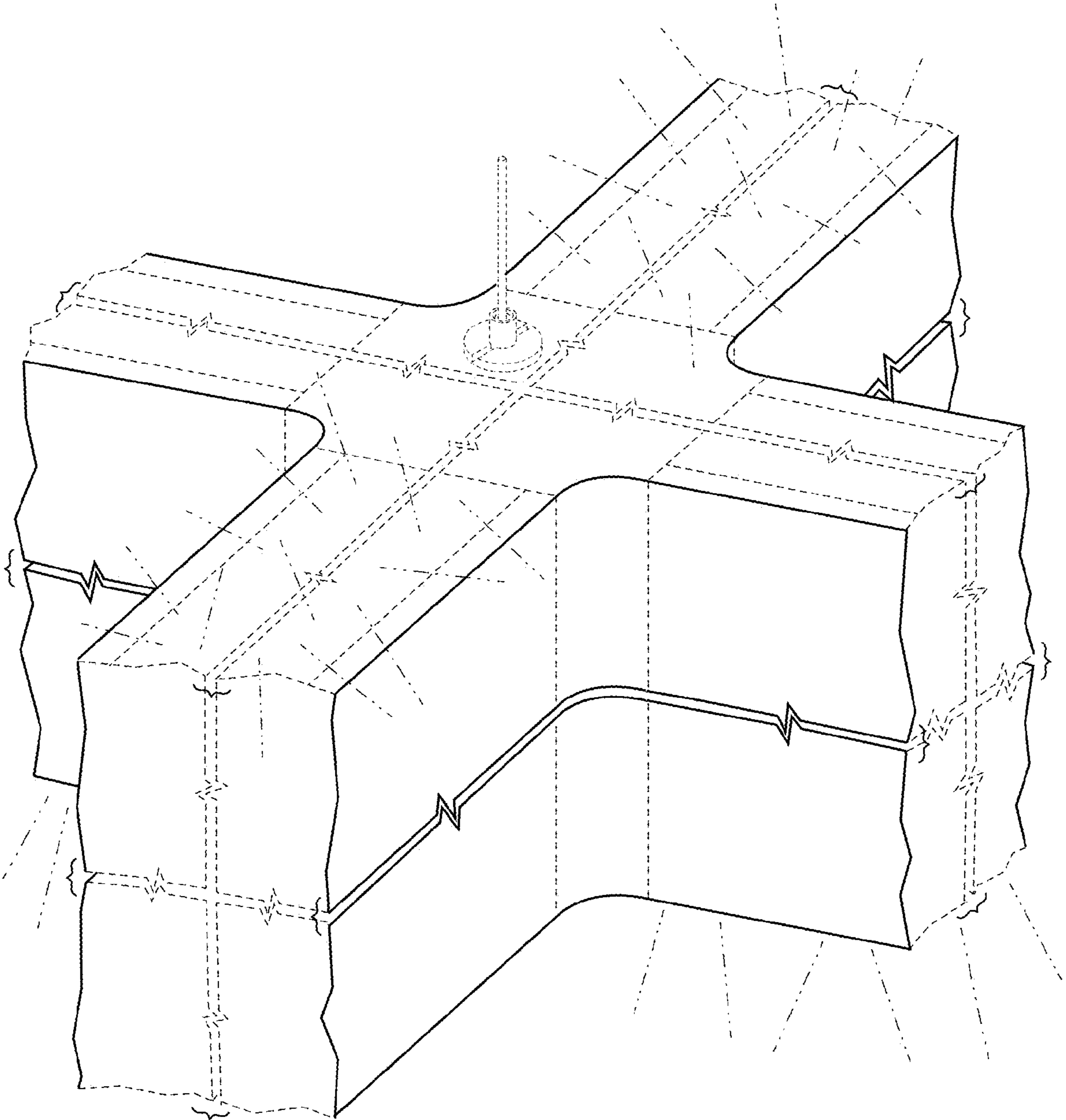


FIG. 1

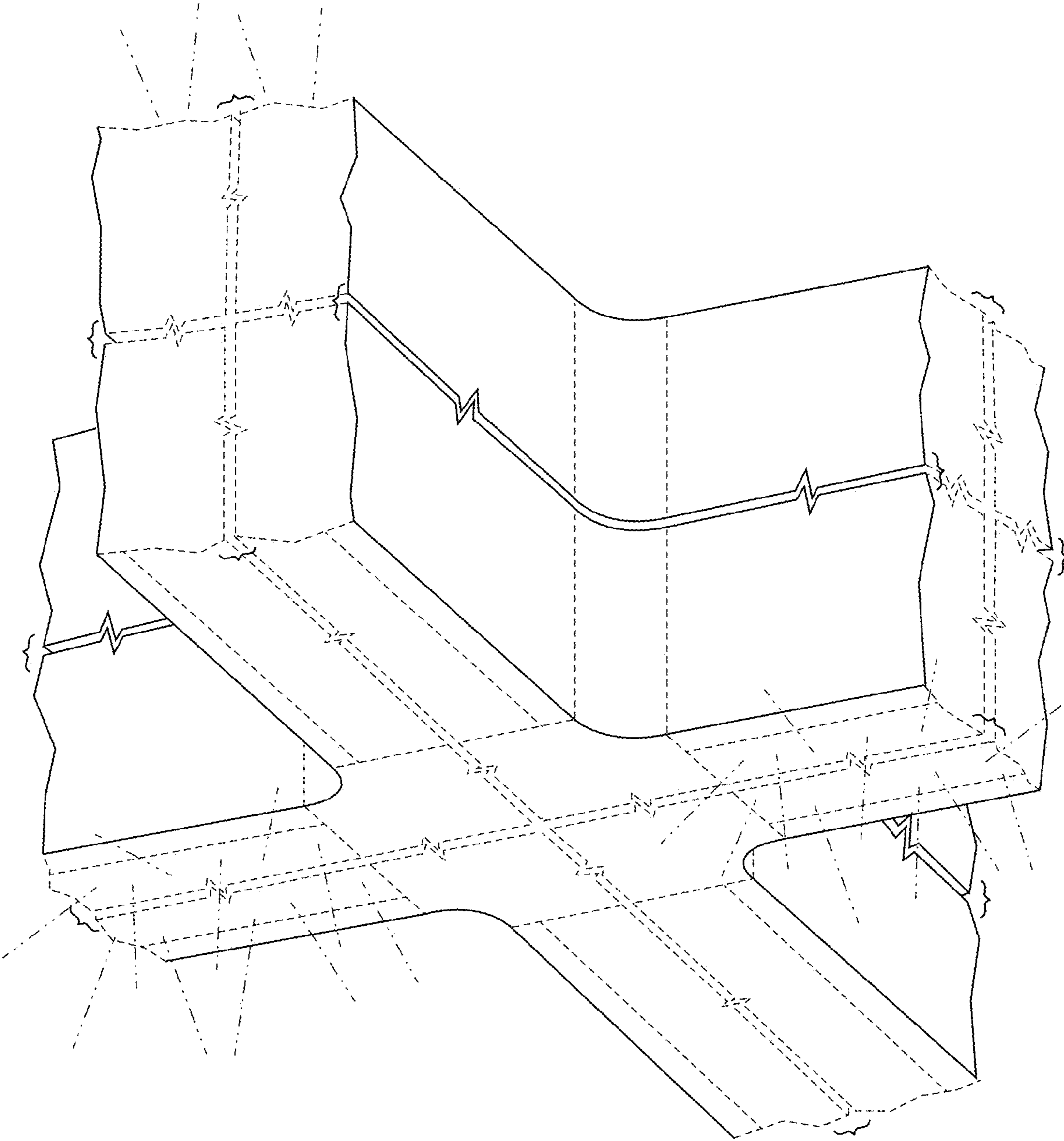


FIG. 2

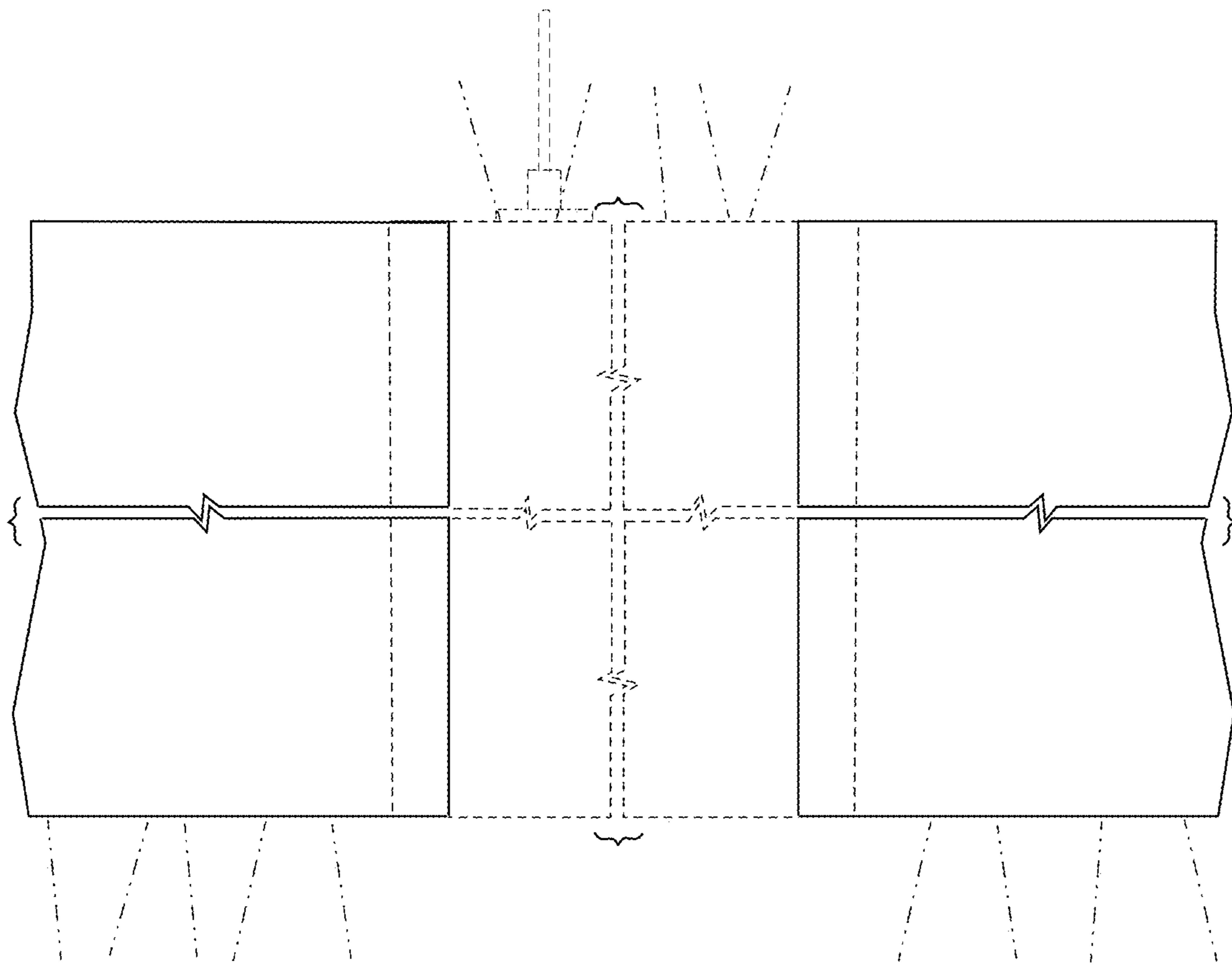


FIG. 3

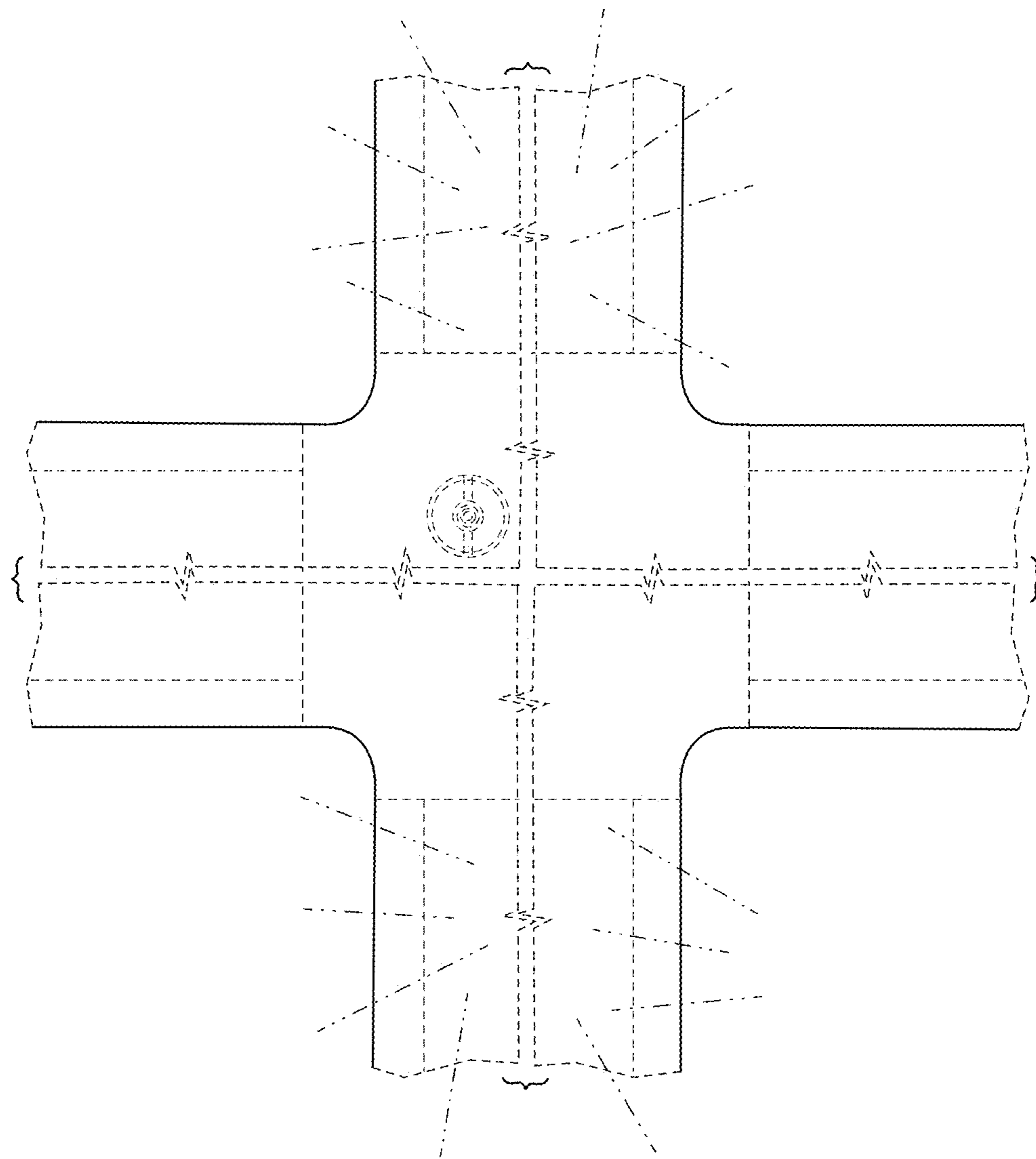


FIG. 4

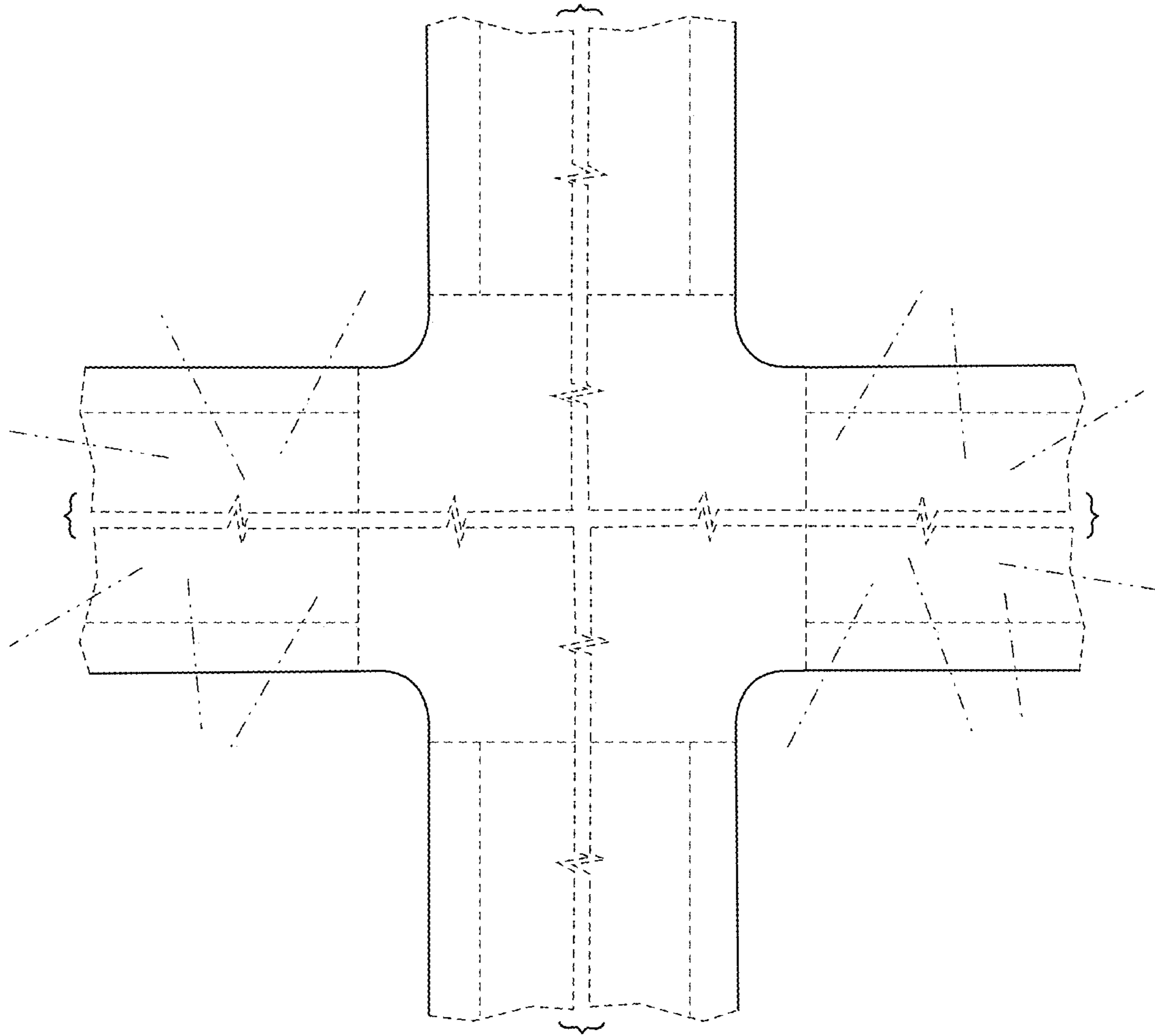


FIG. 5