



US00D911590S

(12) **United States Design Patent** (10) **Patent No.:** **US D911,590 S**
Muller et al. (45) **Date of Patent:** **** Feb. 23, 2021**

(54) **LAMP**

D631,596 S * 1/2011 Sadler D26/110
D751,749 S * 3/2016 Lovegrove D26/93
D871,657 S * 12/2019 Sonneman D26/128

(71) Applicant: **Starbucks Corporation**, Seattle, WA
(US)

* cited by examiner

(72) Inventors: **Elisabeth G. M. Coolen Muller**,
Seattle, WA (US); **Franciscus Johannes
Paulus**, Seattle, WA (US)

Primary Examiner — Brian N. Vinson
(74) *Attorney, Agent, or Firm* — Knobbe, Martens, Olson
& Bear, LLP

(73) Assignee: **Starbucks Corporation**, Seattle, WA
(US)

(**) Term: **15 Years**

(57) **CLAIM**

(21) Appl. No.: **29/681,760**

The ornamental design for a lamp, as shown and described
herein.

(22) Filed: **Feb. 27, 2019**

(51) **LOC (13) Cl.** **26-03**

DESCRIPTION

(52) **U.S. Cl.**
USPC **D26/110**

(58) **Field of Classification Search**
USPC D26/1, 24, 67, 93–94, 104–110, 95, 101,
D26/112, 118, 128
CPC .. F21Y 2103/00; F21Y 2101/02; F21V 15/00;
F21V 25/00
See application file for complete search history.

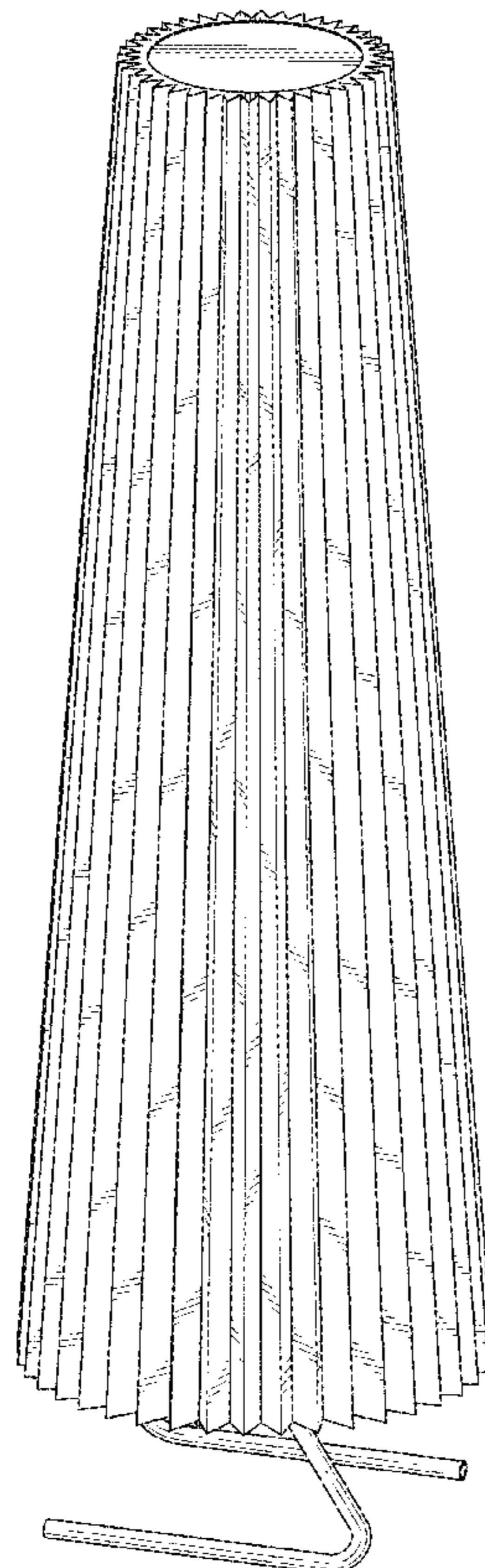
FIG. 1 is a top perspective view of a lamp showing our
design;
FIG. 2 is a bottom perspective view thereof;
FIG. 3 is a front elevation view thereof;
FIG. 4 is a rear elevation view thereof;
FIG. 5 is a right-side elevation view thereof;
FIG. 6 is a left-side elevation view thereof;
FIG. 7 is a top plan view thereof; and,
FIG. 8 is a bottom plan view thereof.
The broken lines shown in the figures represent portions of
the lamp that form no part of the claimed design.

(56) **References Cited**

U.S. PATENT DOCUMENTS

D464,764 S * 10/2002 Stephens D26/110
D596,340 S * 7/2009 Sabernig D26/93

1 Claim, 7 Drawing Sheets



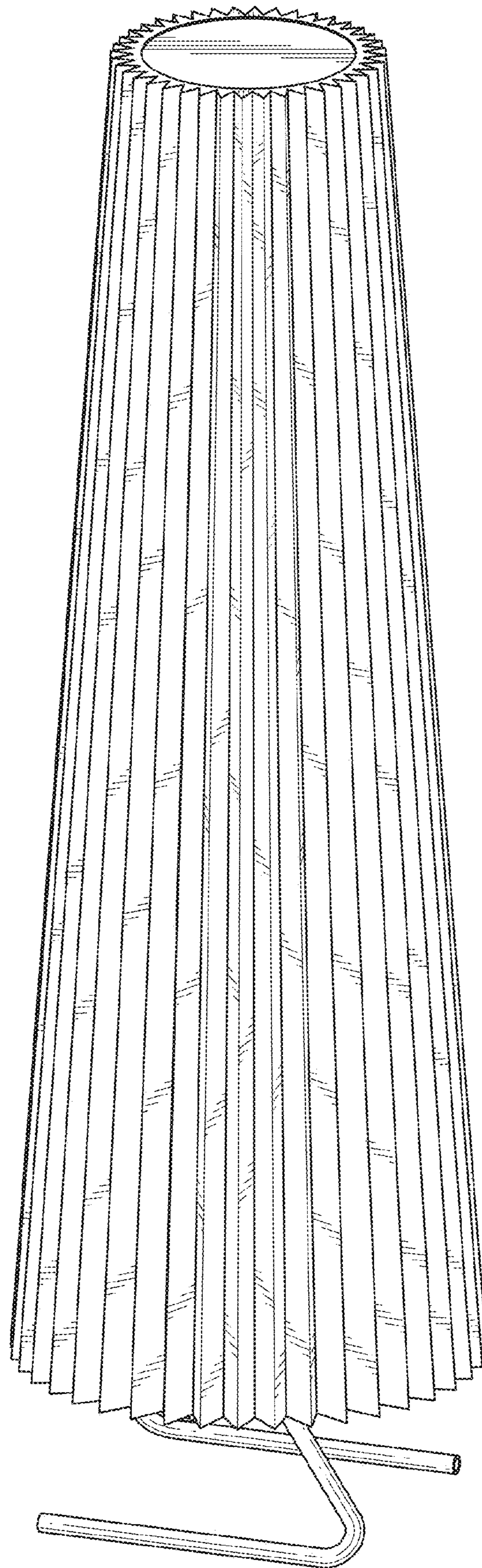


FIG. 1

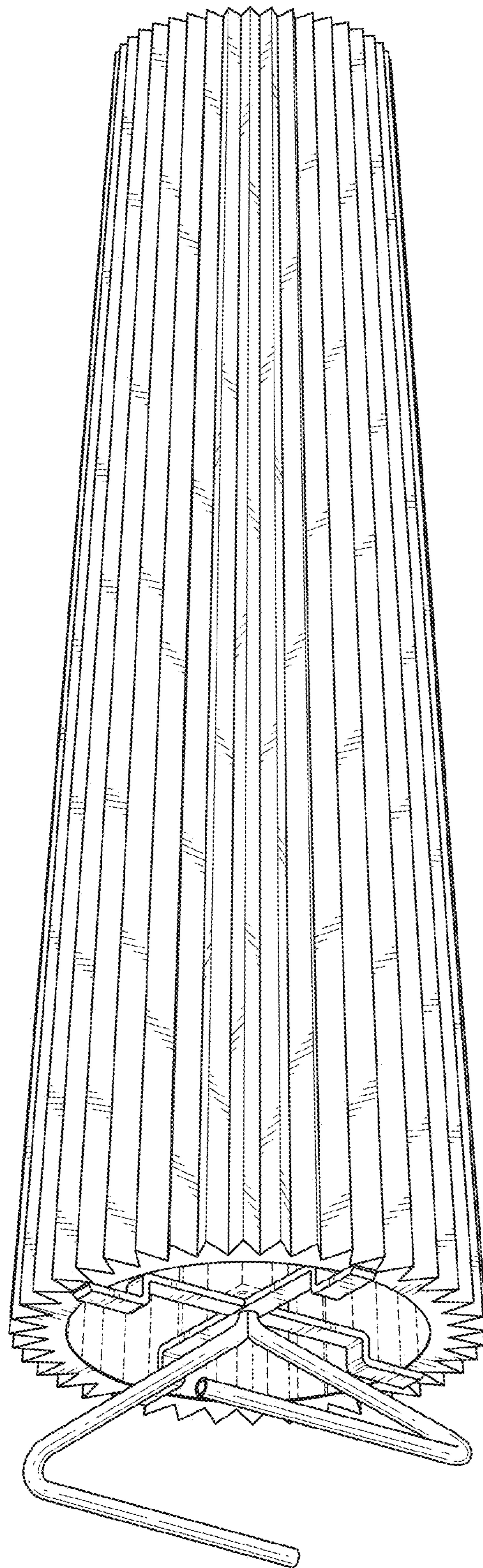


FIG. 2

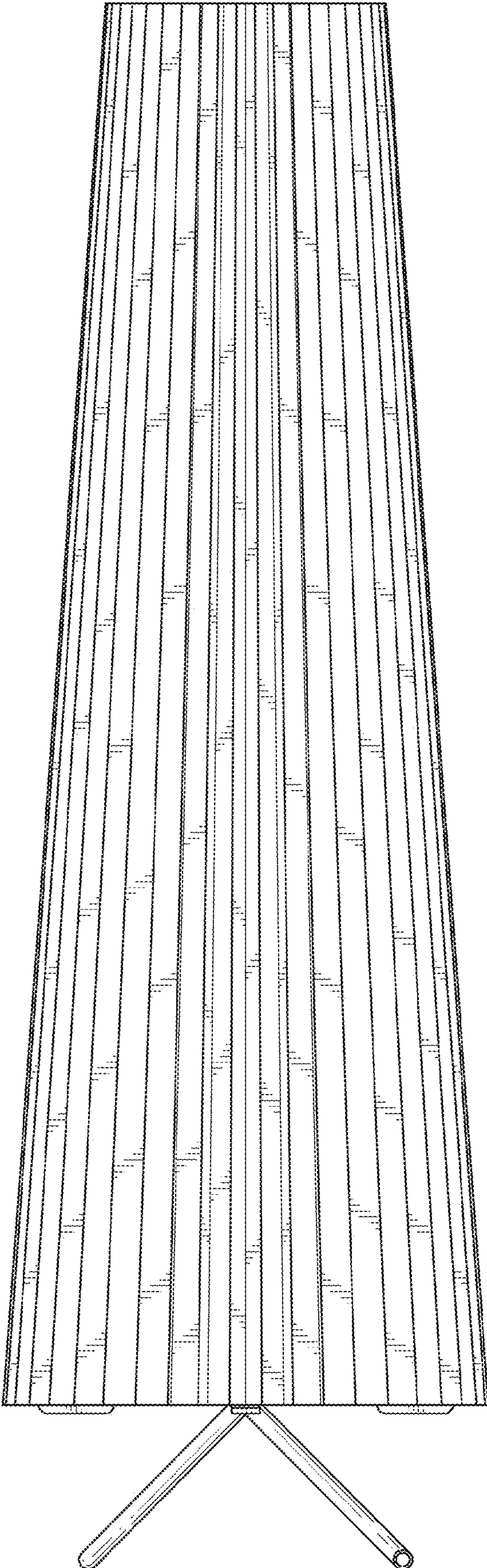


FIG. 3

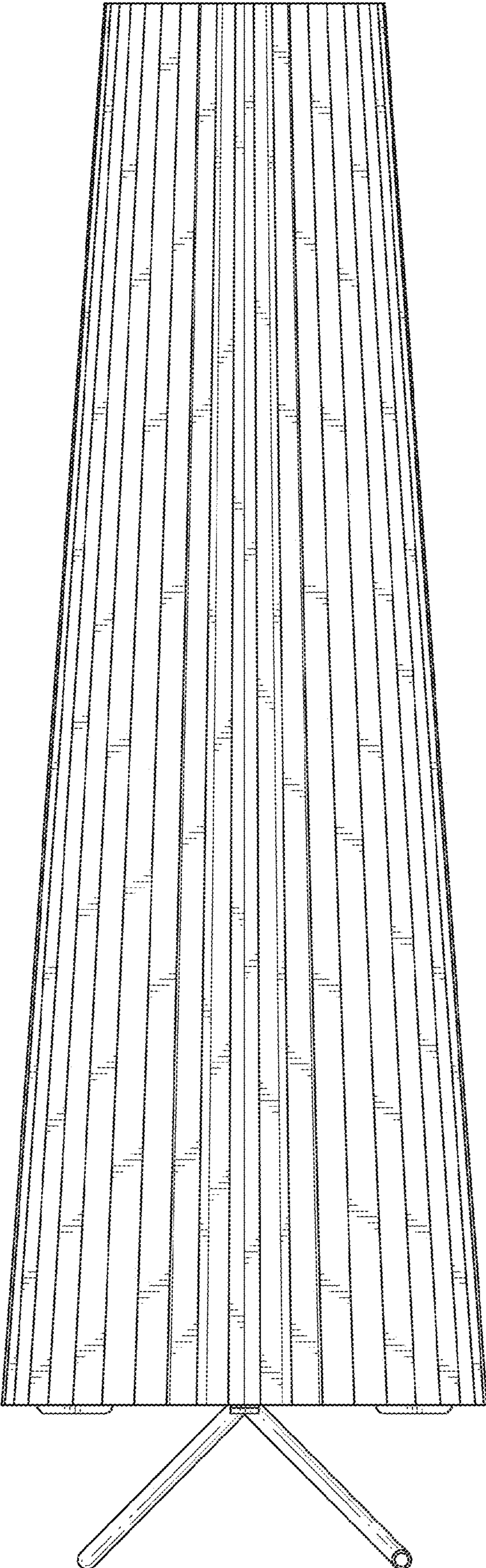


FIG. 4

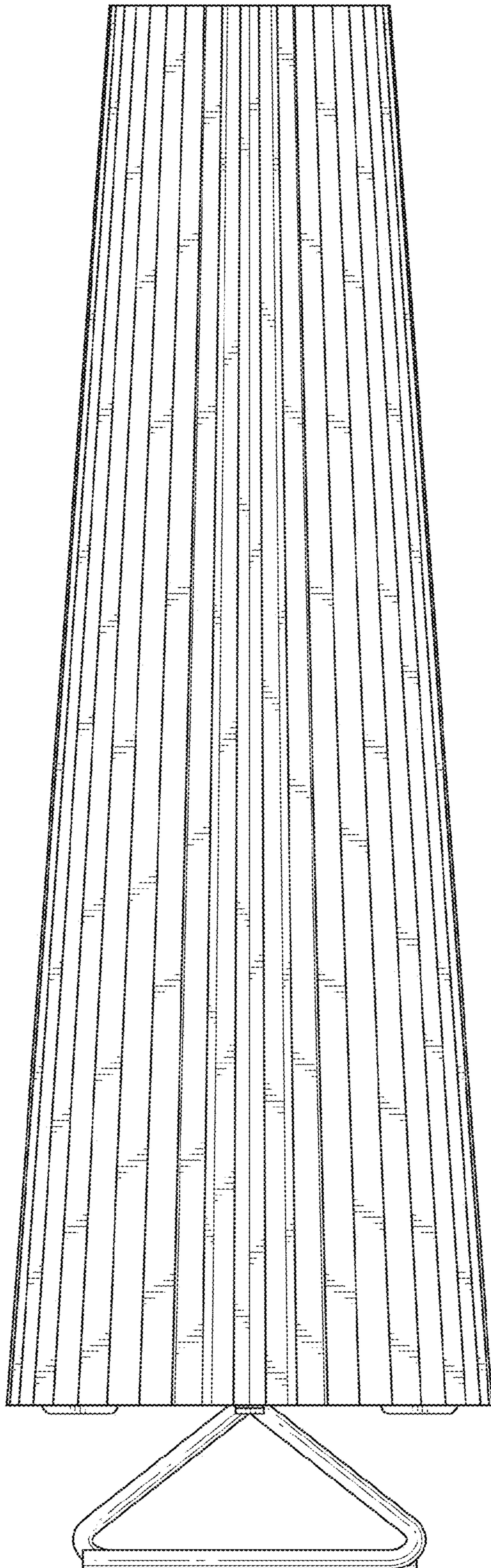


FIG. 5

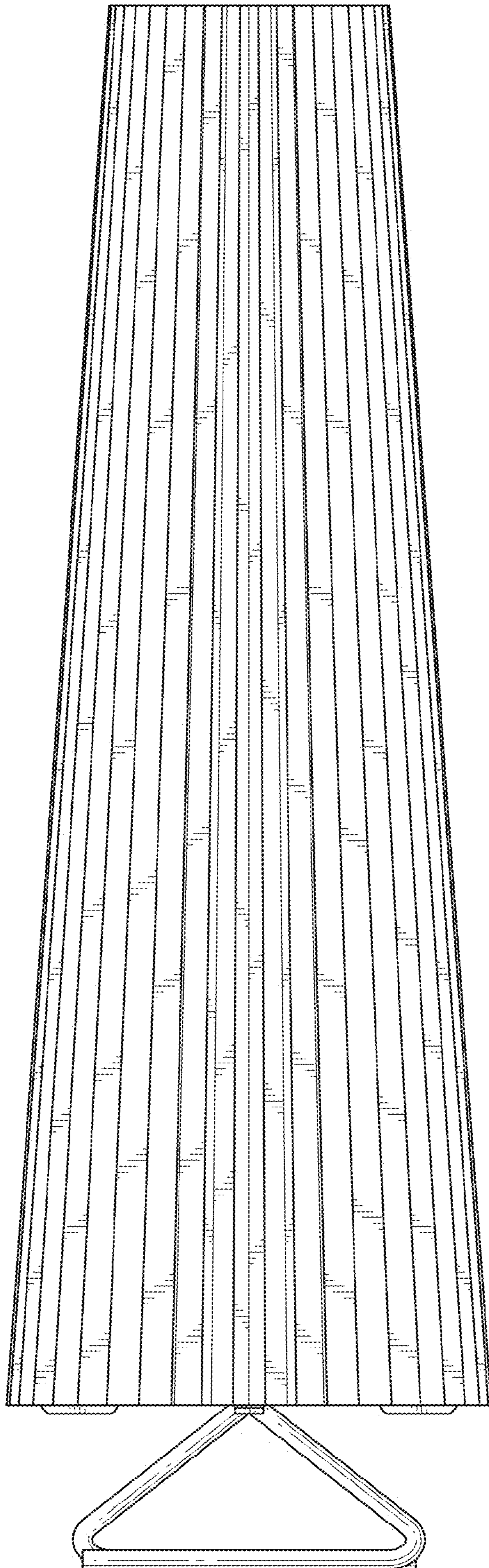


FIG. 6

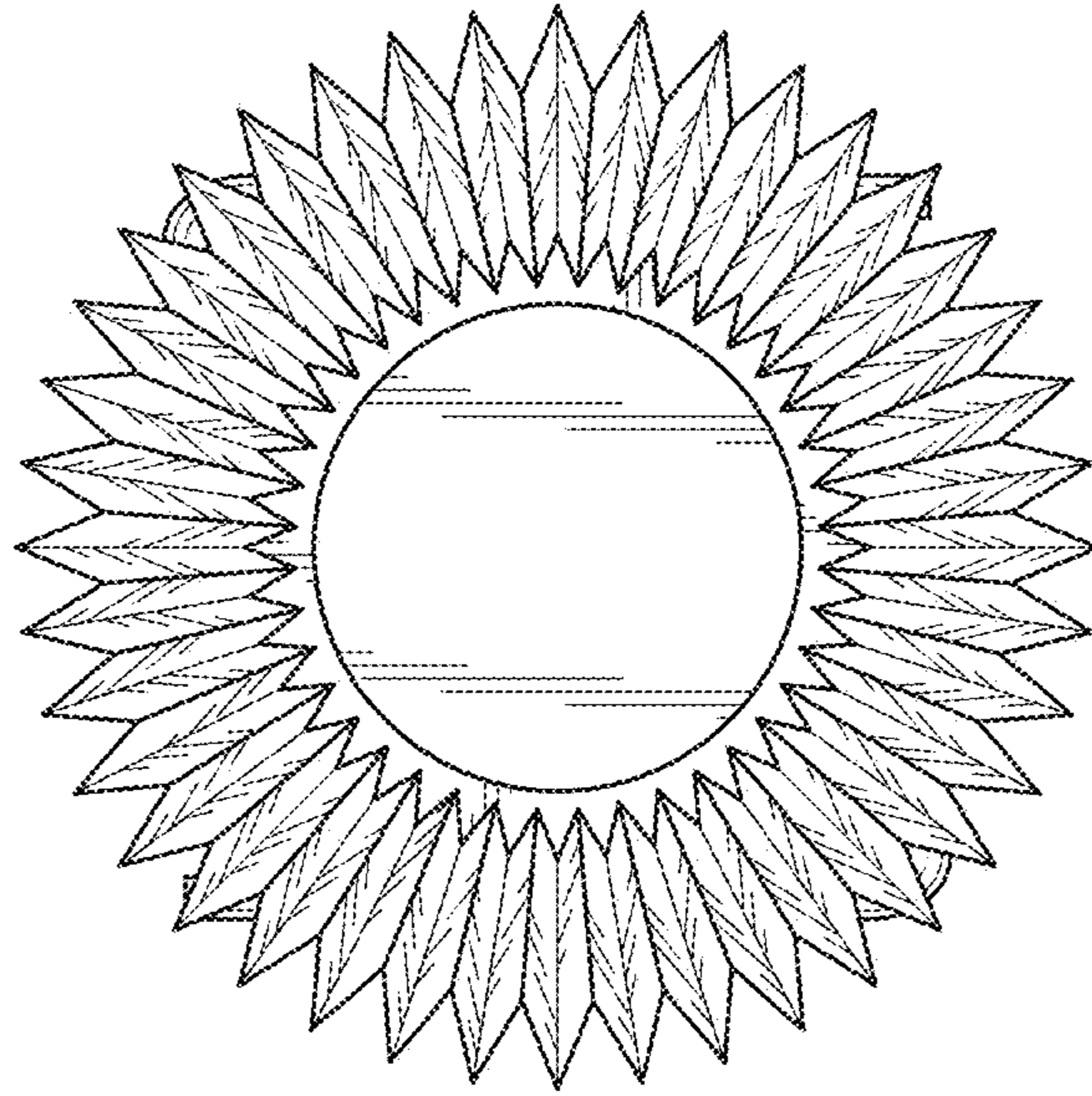


FIG. 7

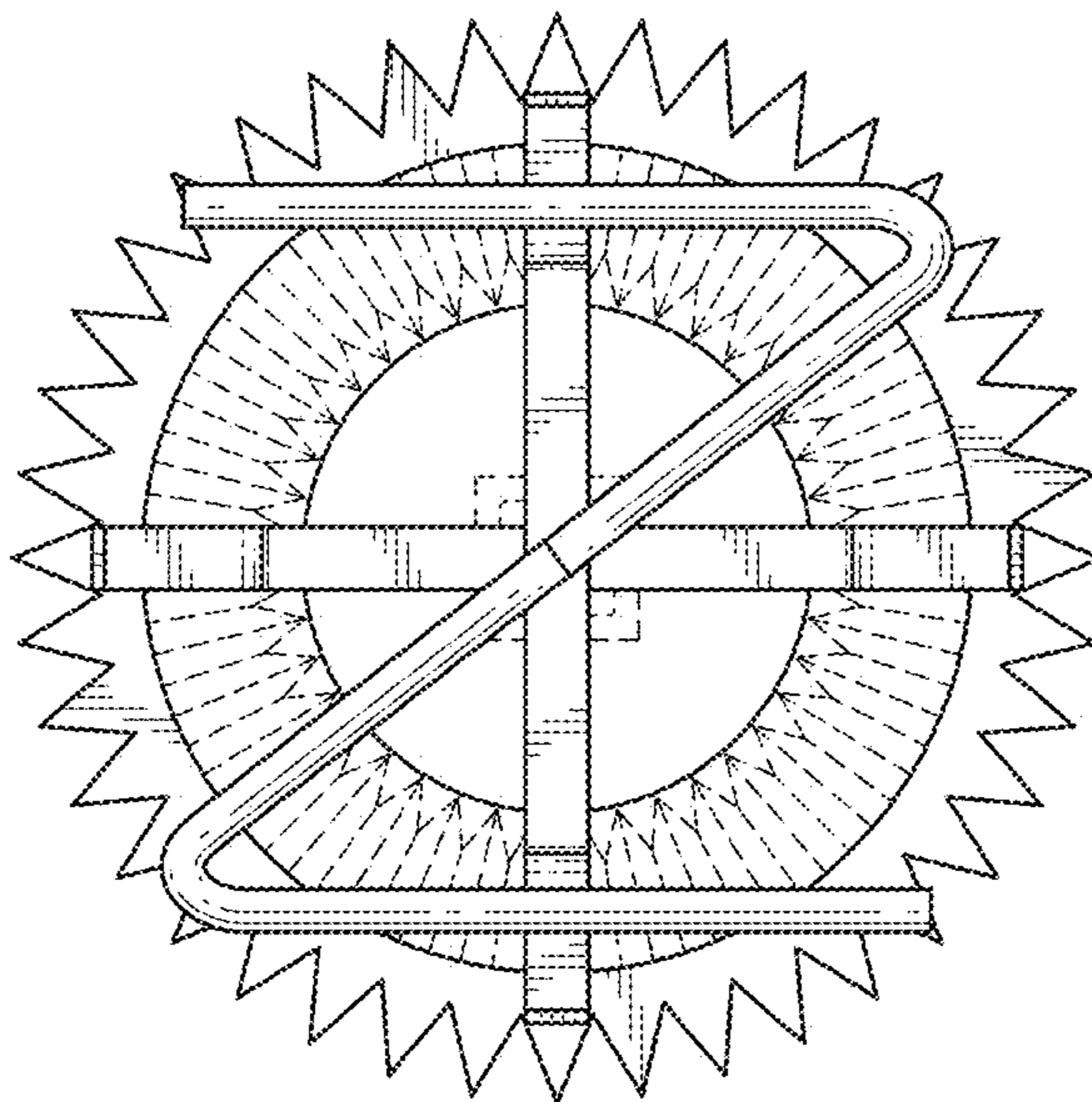


FIG. 8