



US00D911589S

(12) **United States Design Patent**
Huang

(10) **Patent No.:** **US D911,589 S**

(45) **Date of Patent:** **** Feb. 23, 2021**

(54) **DESK LAMP**

(71) Applicant: **Dongguan City TianHua Photoelectric Technology Co., Ltd.**, Dongguan (CN)

(72) Inventor: **XiaoYing Huang**, Dongguan (CN)

(73) Assignee: **Dongguan City TianHua Photoelectric Technology Co., Ltd.**, Dongguan (CN)

(**) Term: **15 Years**

(21) Appl. No.: **29/721,407**

(22) Filed: **Jan. 21, 2020**

(51) **LOC (13) Cl.** **26-03**

(52) **U.S. Cl.**
USPC **D26/107**

(58) **Field of Classification Search**
USPC D26/93, 106, 107, 108
CPC . F21S 6/002; F21V 1/00; F21V 21/02; F21W 2131/30

See application file for complete search history.

(56) **References Cited**

U.S. PATENT DOCUMENTS

4,977,489 A * 12/1990 Fung F21S 6/003
362/184
D582,087 S * 12/2008 Su D26/63

D681,865 S * 5/2013 Lee D26/107
D744,693 S * 12/2015 Kitts D26/107
D759,289 S * 6/2016 Newhouse D26/107
D835,330 S * 12/2018 Richardson D26/107
D889,023 S * 6/2020 Sun D26/107

* cited by examiner

Primary Examiner — Brian N. Vinson

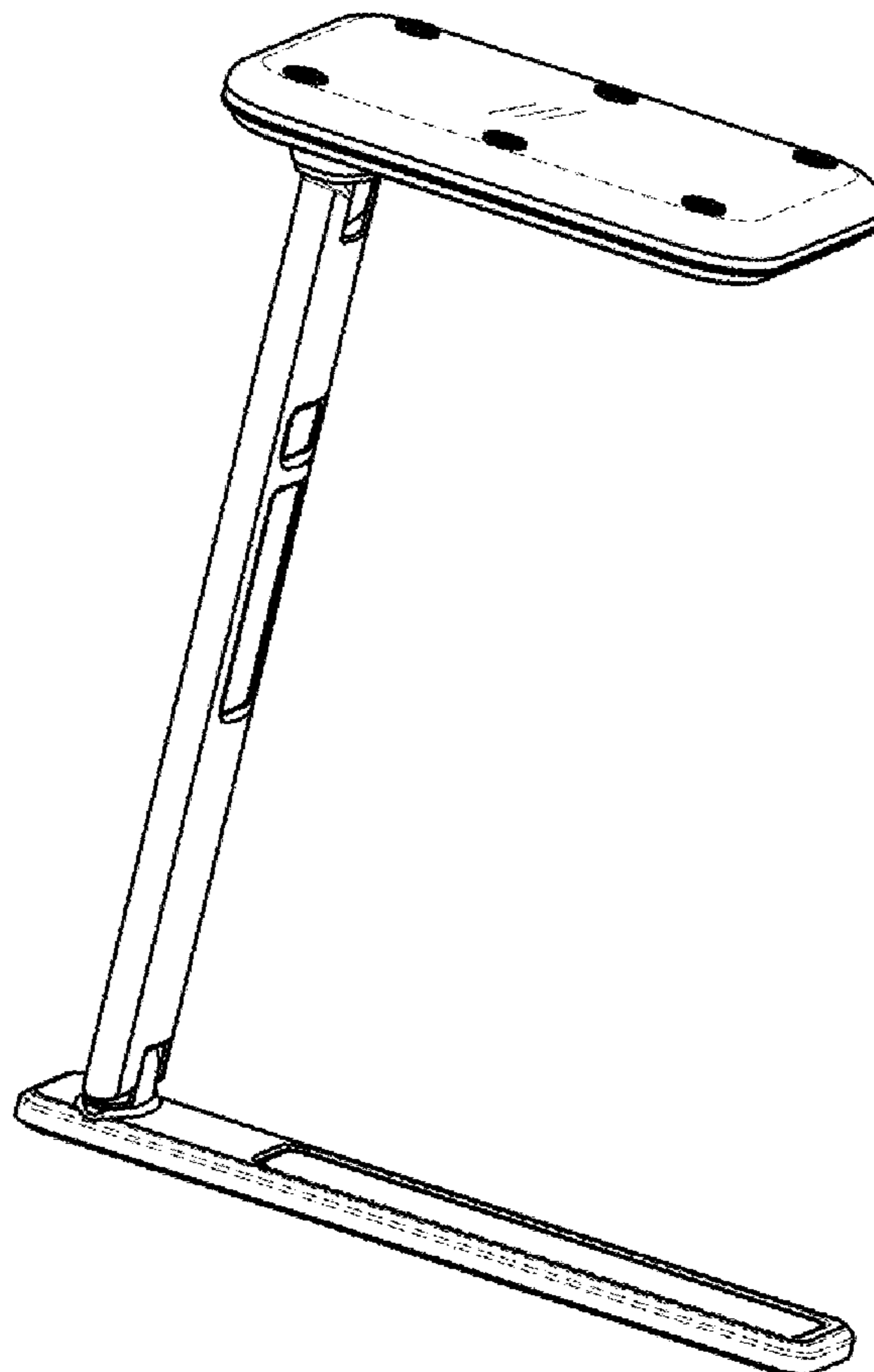
(57) **CLAIM**

The ornamental design for the desk lamp, as shown and described.

DESCRIPTION

FIG. 1 is a front elevation view of the desk lamp showing my new design;
FIG. 2 is a back elevation view thereof;
FIG. 3 is a left elevation view thereof;
FIG. 4 is a right elevation view thereof;
FIG. 5 is a top elevation view thereof;
FIG. 6 is a bottom elevation view thereof; and,
FIG. 7 is a perspective view thereof.
The broken lines illustrate portions of the desk lamp that form no part of the claimed design.

1 Claim, 4 Drawing Sheets



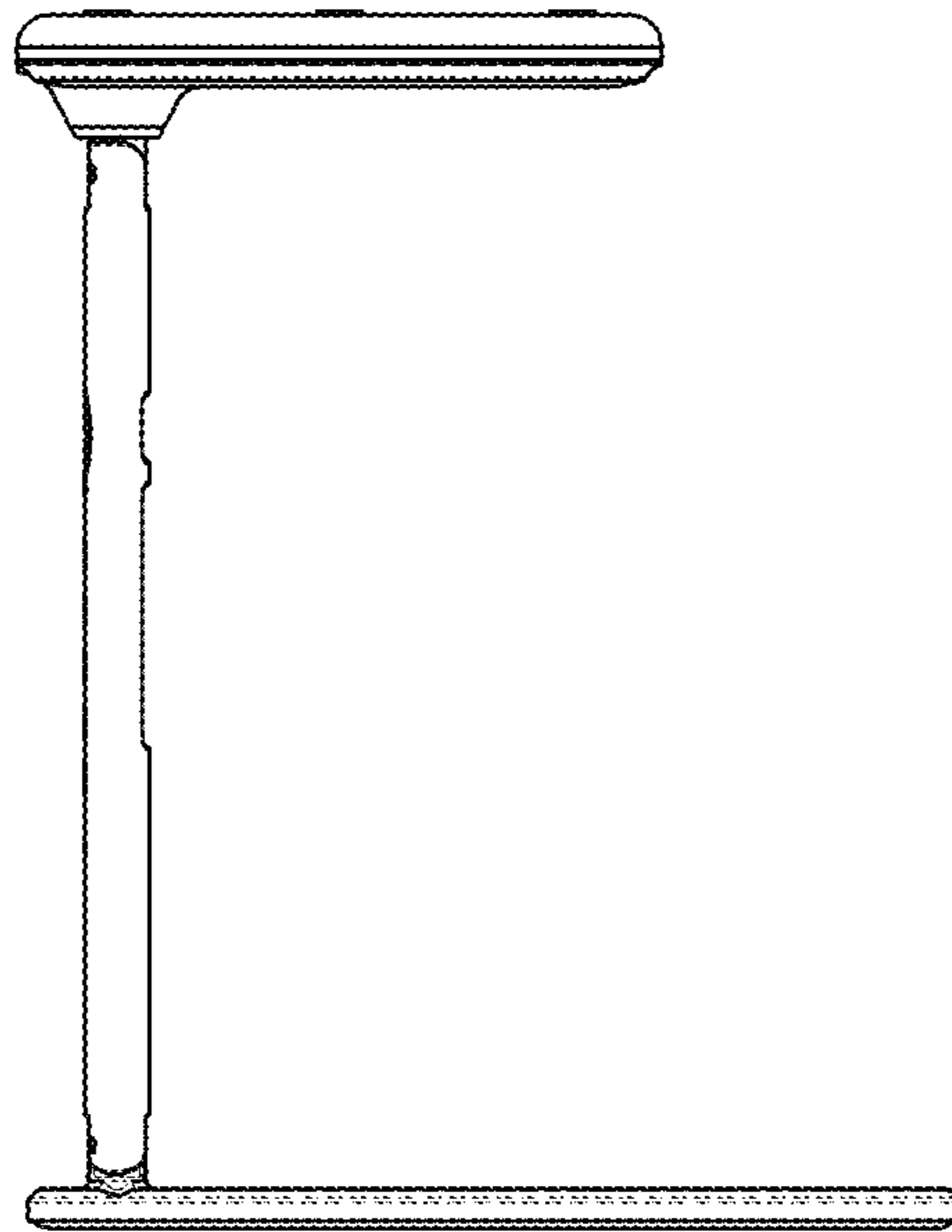


Fig.1

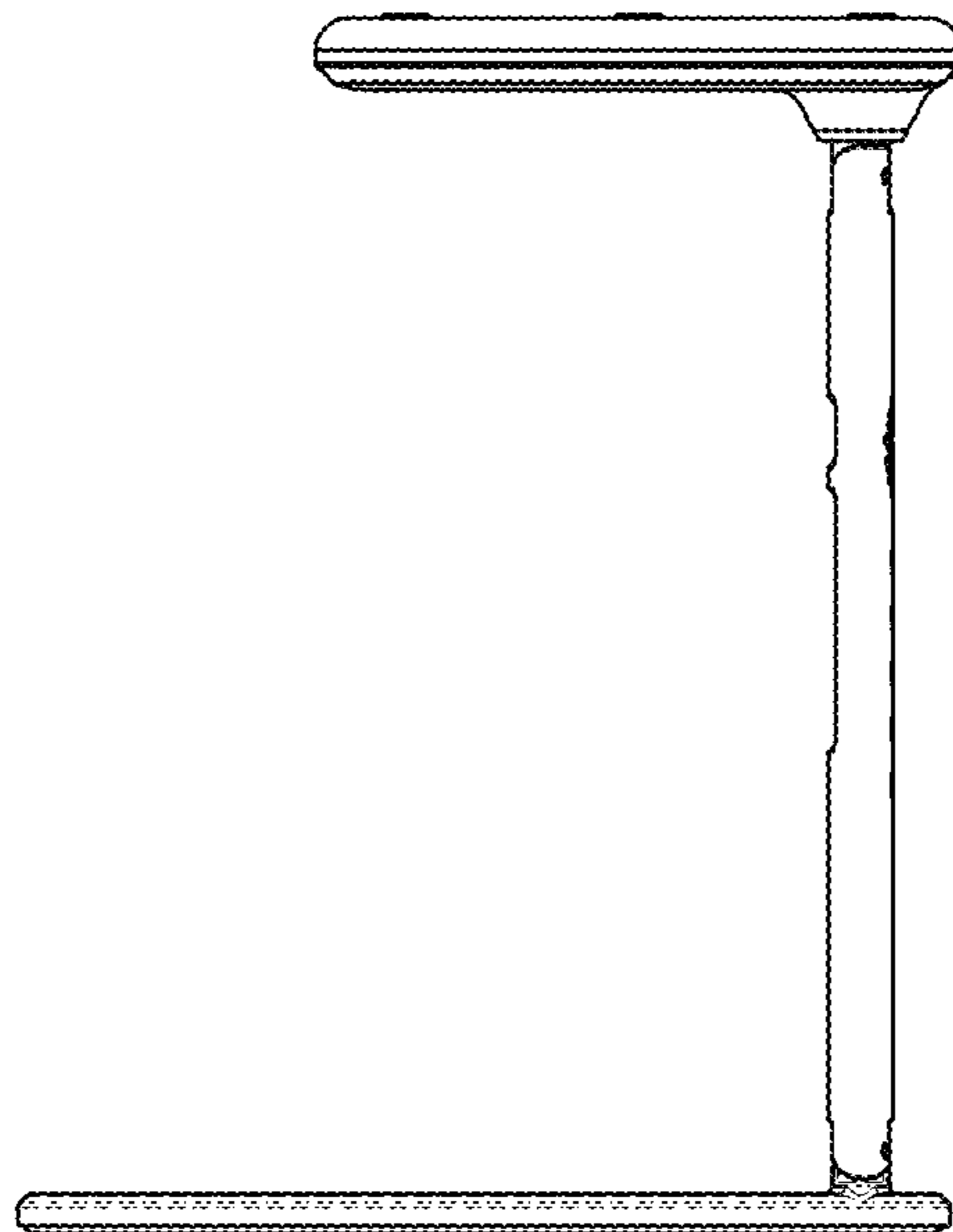


Fig.2

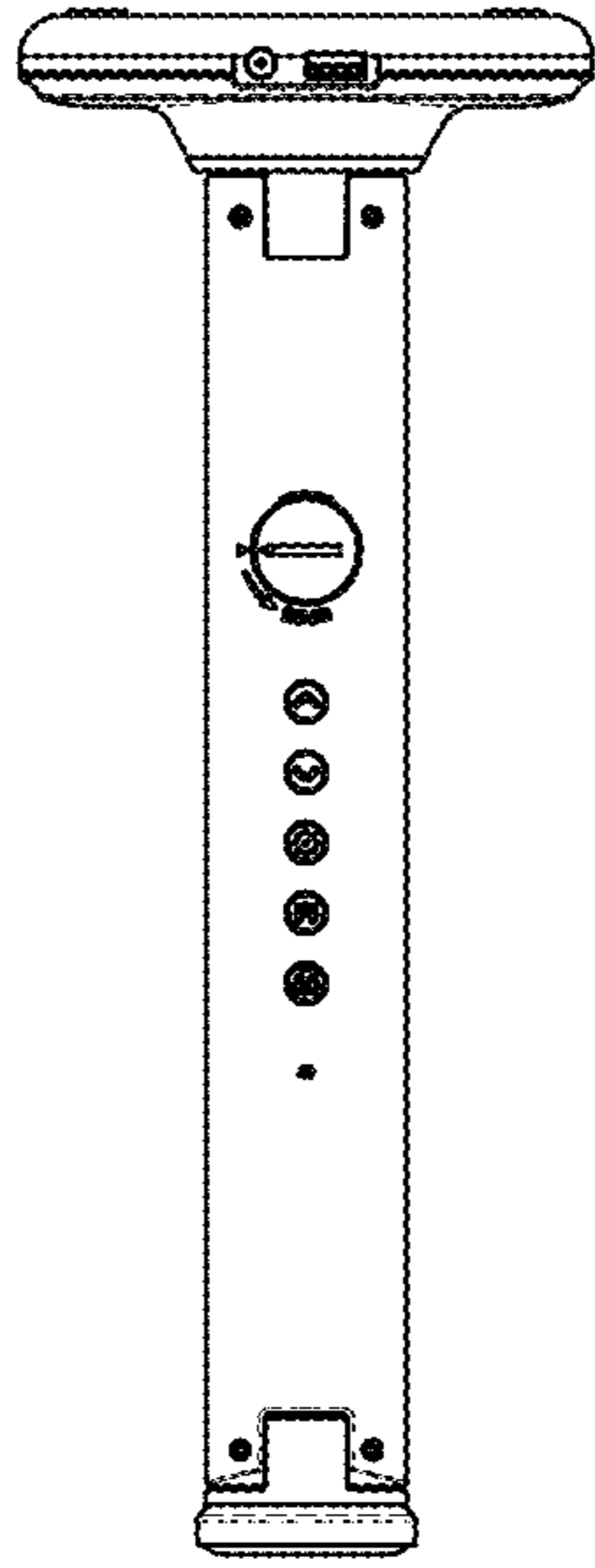


Fig.3

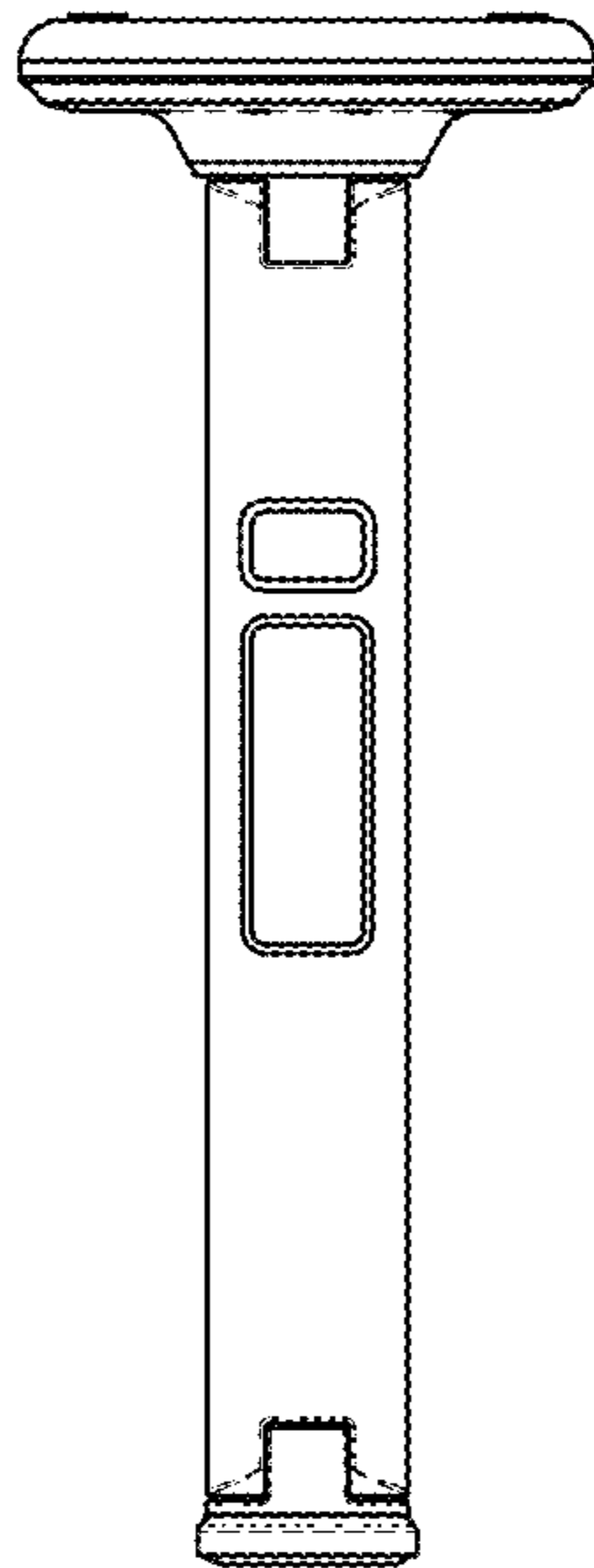


Fig.4

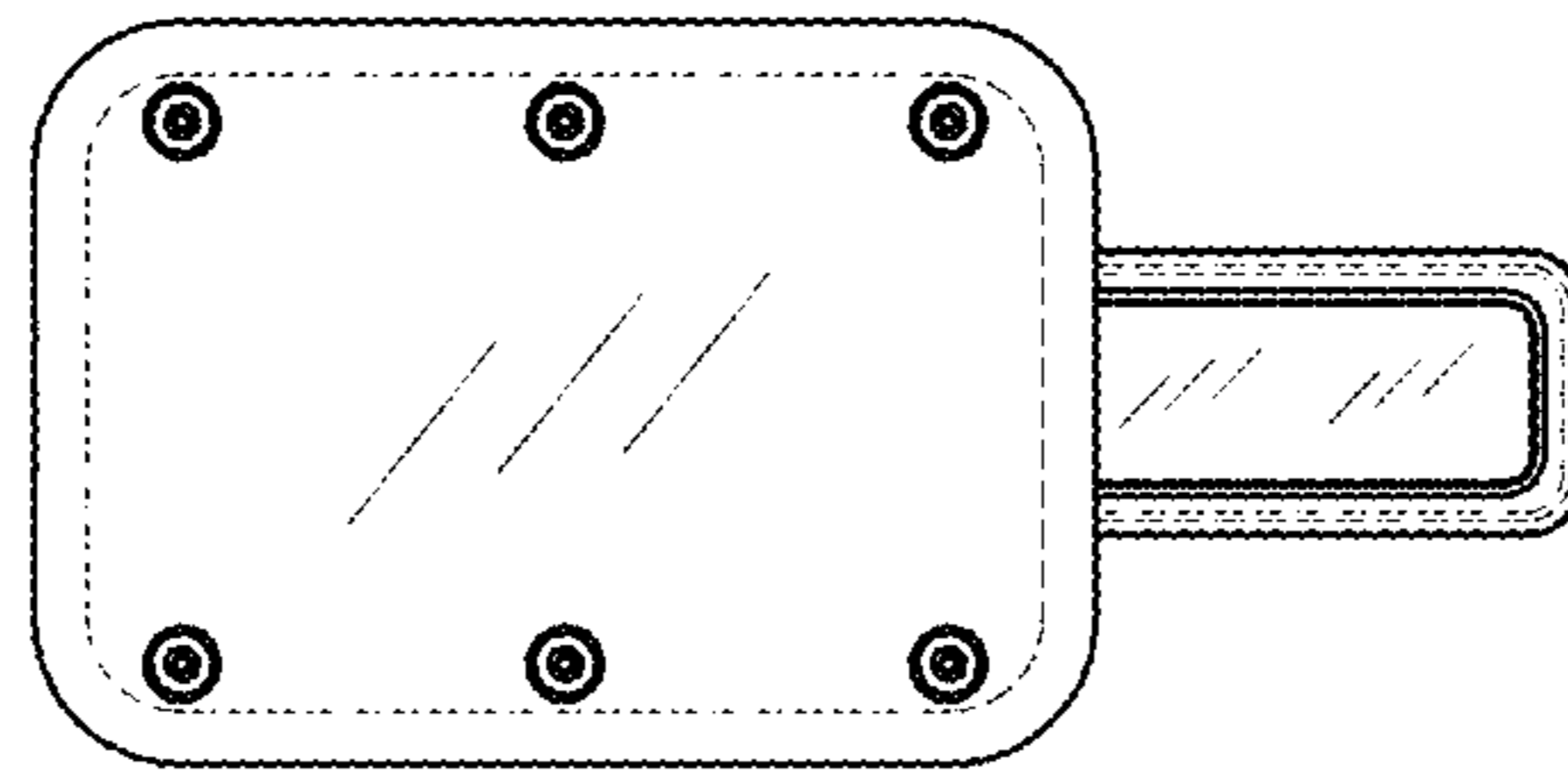


Fig.5

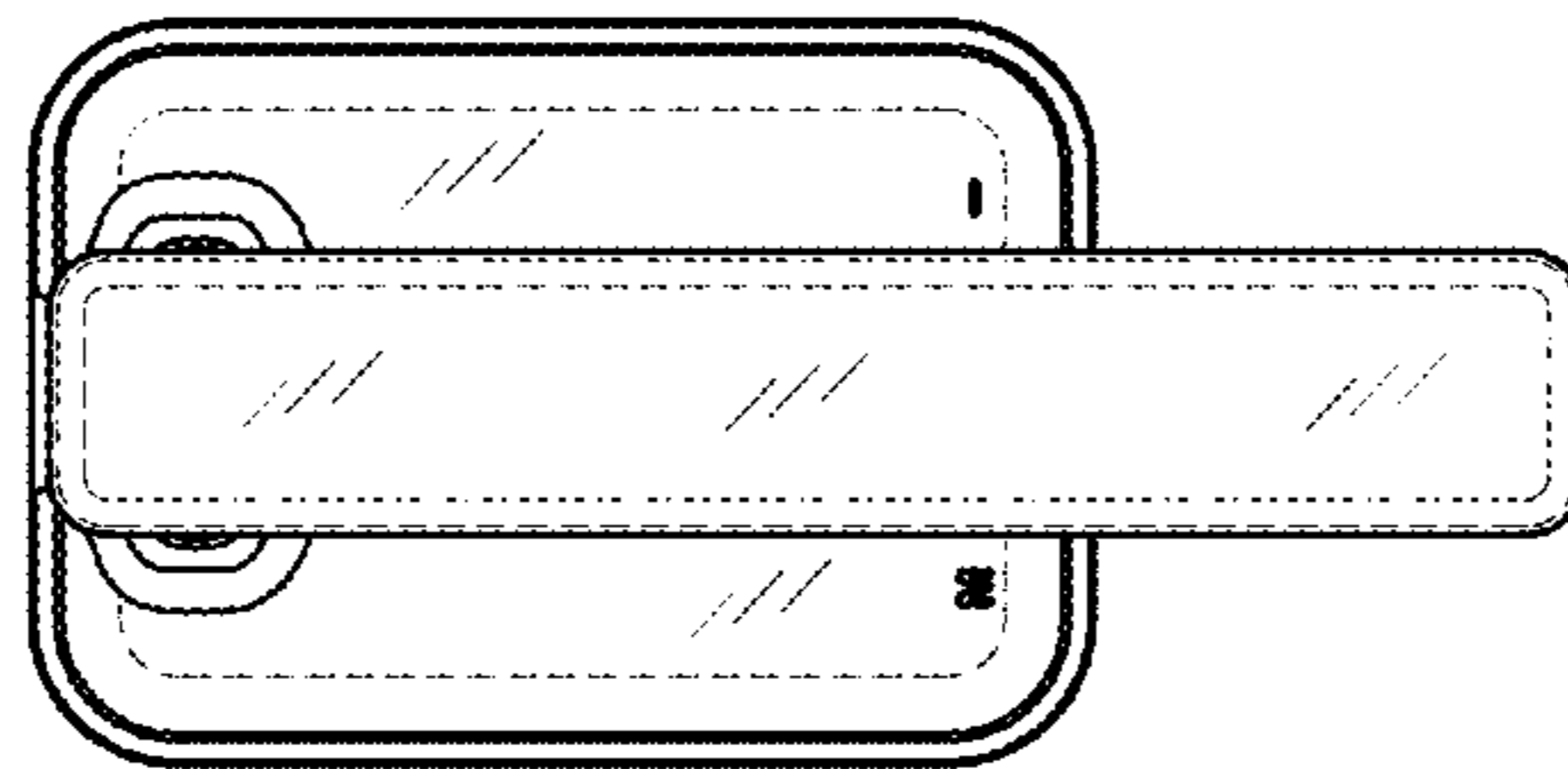


Fig.6

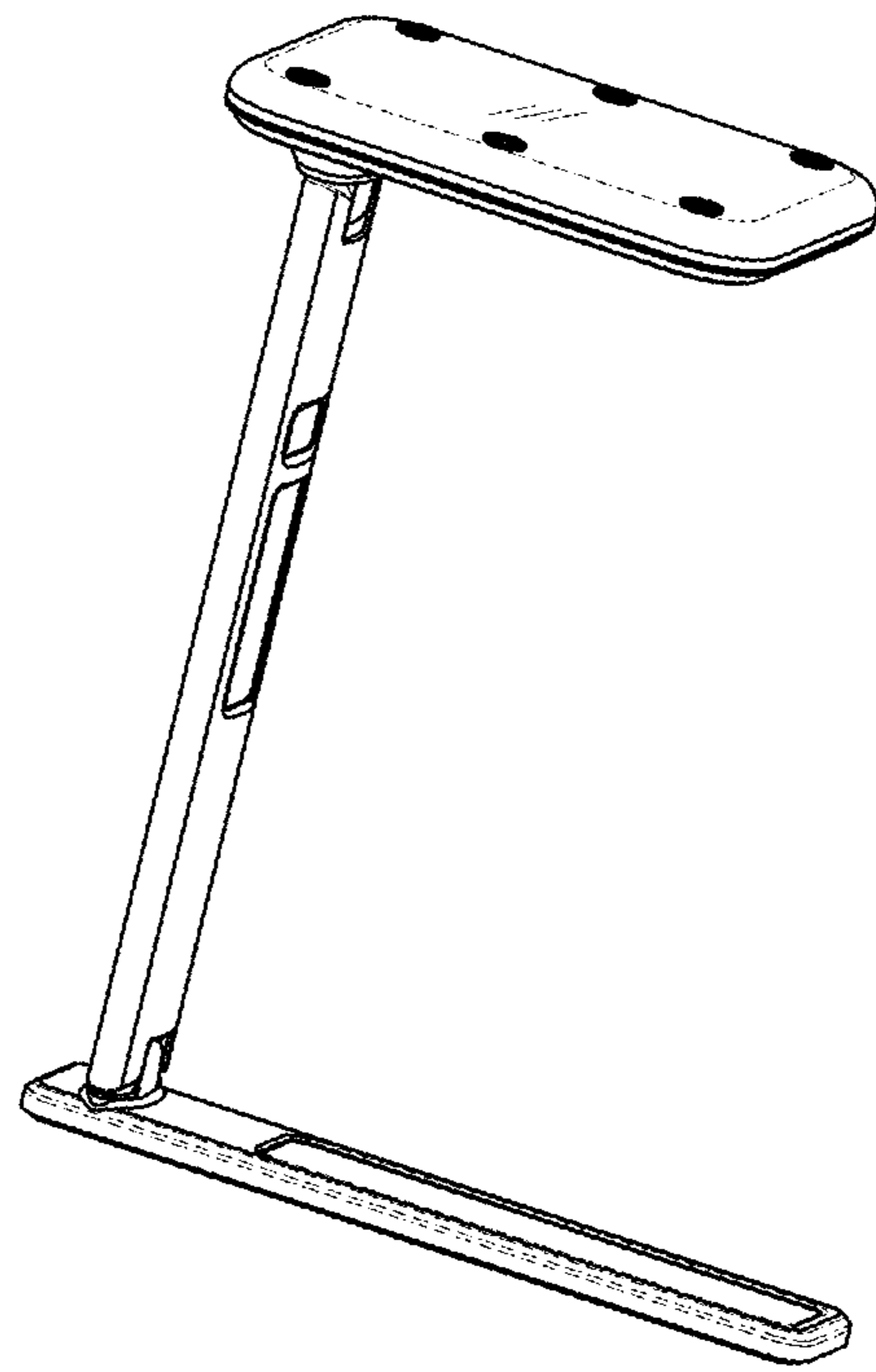


Fig.7