



US00D911586S

(12) **United States Design Patent** (10) **Patent No.:** **US D911,586 S**  
**Lin** (45) **Date of Patent:** **\*\* Feb. 23, 2021**

(54) **CANDLE LED LIGHT**

(71) Applicant: **Zhili Lin**, Shehzneh (CN)

(72) Inventor: **Zhili Lin**, Shehzneh (CN)

(\*\*) Term: **15 Years**

(21) Appl. No.: **29/674,475**

(22) Filed: **Dec. 21, 2018**

(51) **LOC (13) Cl.** ..... **26-03**

(52) **U.S. Cl.**  
USPC ..... **D26/96; D26/5**

(58) **Field of Classification Search**  
USPC ..... D26/4-10, 96  
CPC .... F21S 6/00; F21S 6/001; F21S 10/04; F21S  
10/10; F21S 10/043; F21S 8/08; F21S  
48/115; F21V 21/00; F21V 35/00; F21W  
2121/00; C11C 5/002; C11C 5/004  
See application file for complete search history.

(56) **References Cited**

**U.S. PATENT DOCUMENTS**

D292,323 S \* 10/1987 Vandrilla ..... D26/96  
D406,379 S \* 3/1999 Andrews ..... D26/96  
D545,458 S \* 6/2007 Jensen ..... D26/96  
D612,076 S \* 3/2010 Peterson ..... D26/96

D702,864 S \* 4/2014 Lee ..... D26/96  
D743,096 S \* 11/2015 Patton ..... D26/7  
D757,306 S \* 5/2016 Li ..... D26/96  
D798,489 S \* 9/2017 Patton ..... D26/96

\* cited by examiner

*Primary Examiner* — Marcus A Jackson  
(74) *Attorney, Agent, or Firm* — Juan Carlos A. Marquez;  
Marquez IP Law Office, PLLC

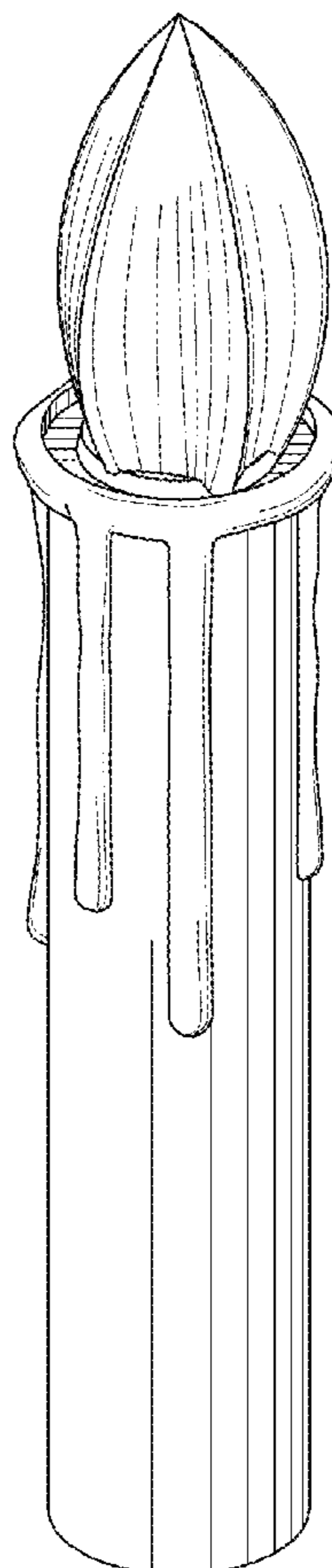
(57) **CLAIM**

The ornamental design for a candle LED light, as shown and described.

**DESCRIPTION**

FIG. 1 is a perspective view of a candle LED light, showing the new design;  
FIG. 2 is a front view thereof;  
FIG. 3 is a rear view thereof;  
FIG. 4 is a left-side view thereof;  
FIG. 5 is a right-side view thereof;  
FIG. 6 is a top view thereof;  
FIG. 7 is a bottom view thereof;  
FIG. 8 is a perspective view of an embodiment I of the candle LED light;  
FIG. 9 is a perspective view of an embodiment II of the candle LED light; and,  
FIG. 10 is a perspective view of an embodiment III of the candle LED light.

**1 Claim, 7 Drawing Sheets**



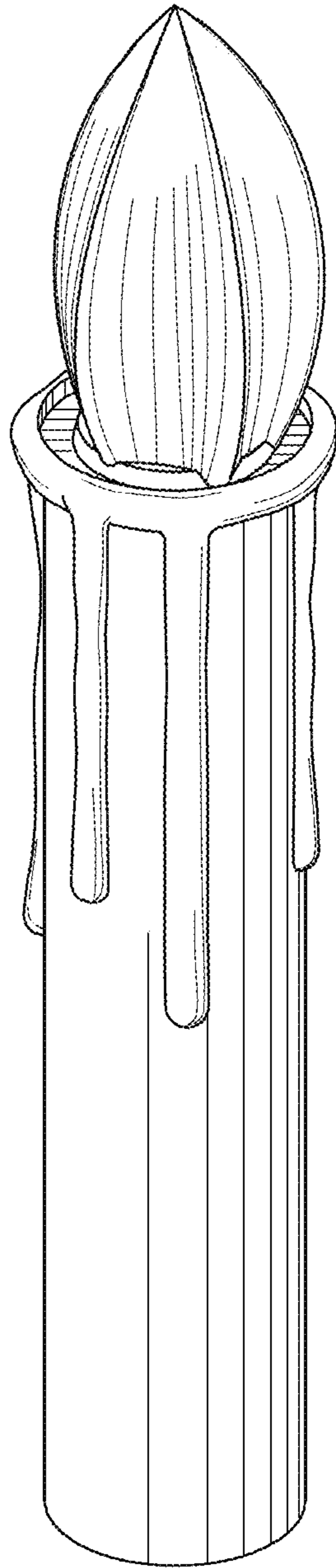


FIG. 1

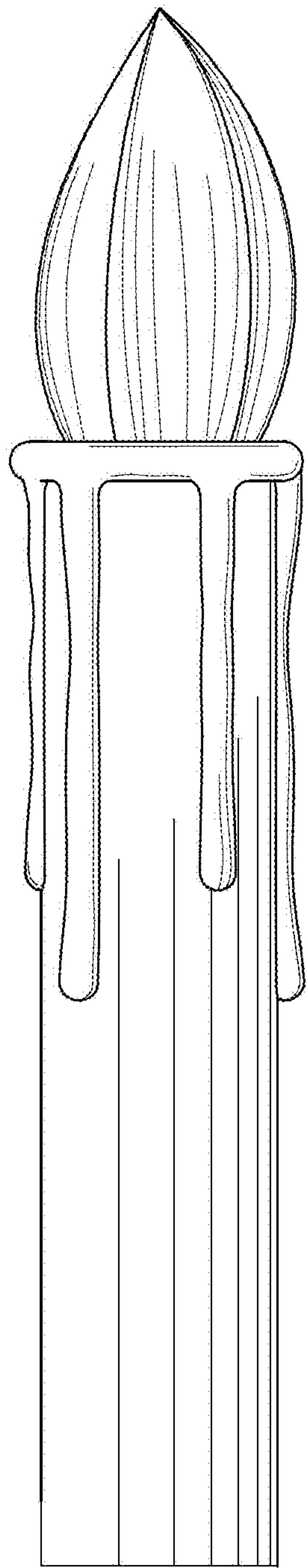


FIG. 2

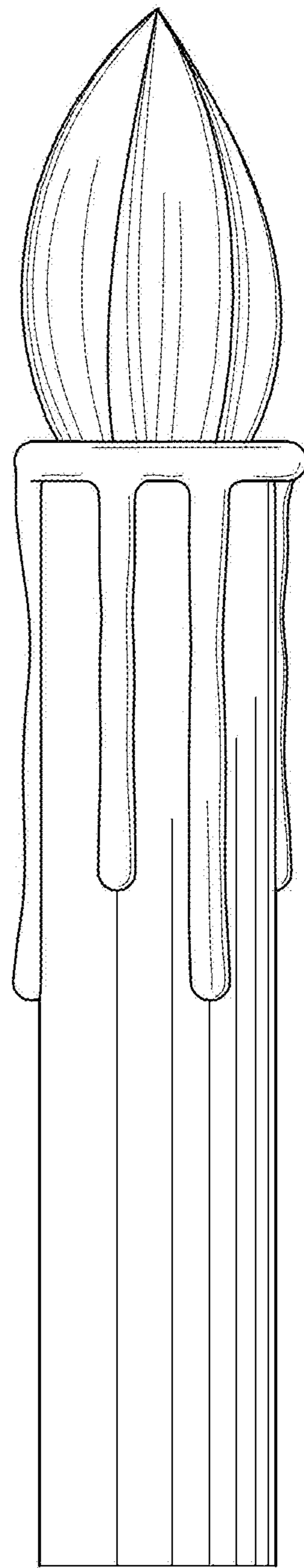


FIG. 3

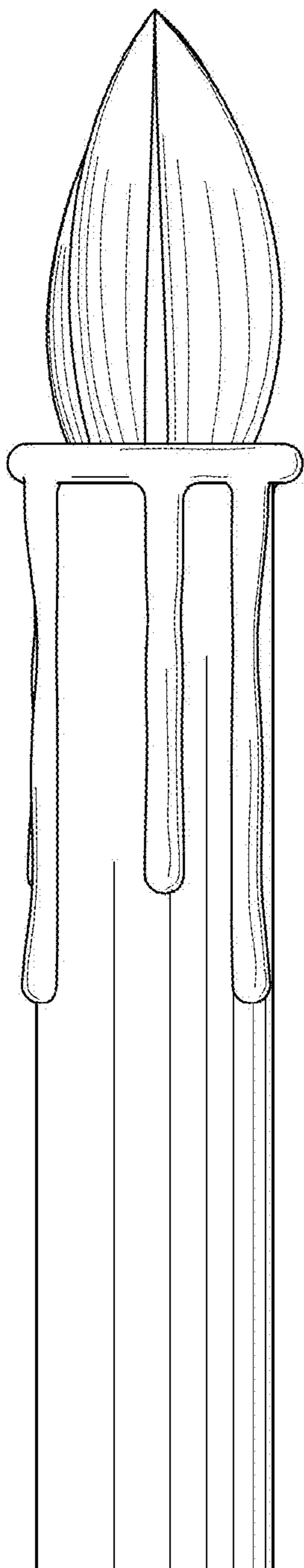


FIG. 4

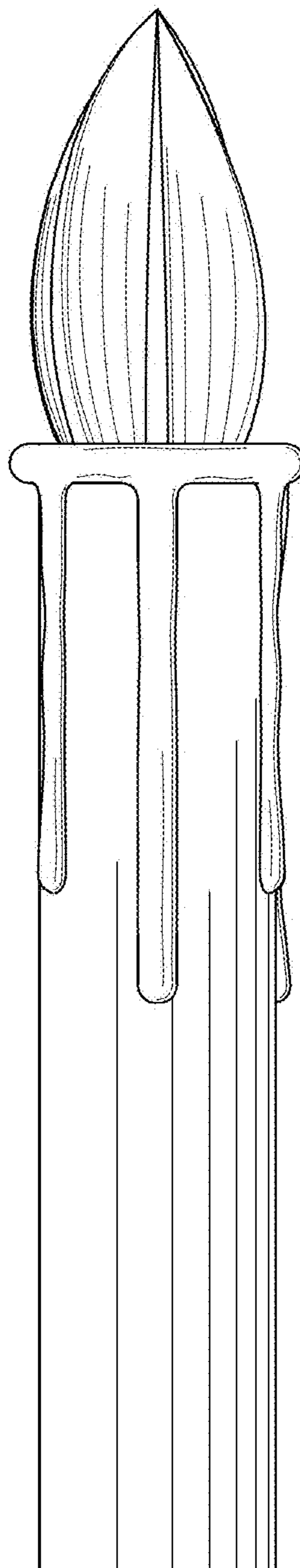


FIG. 5

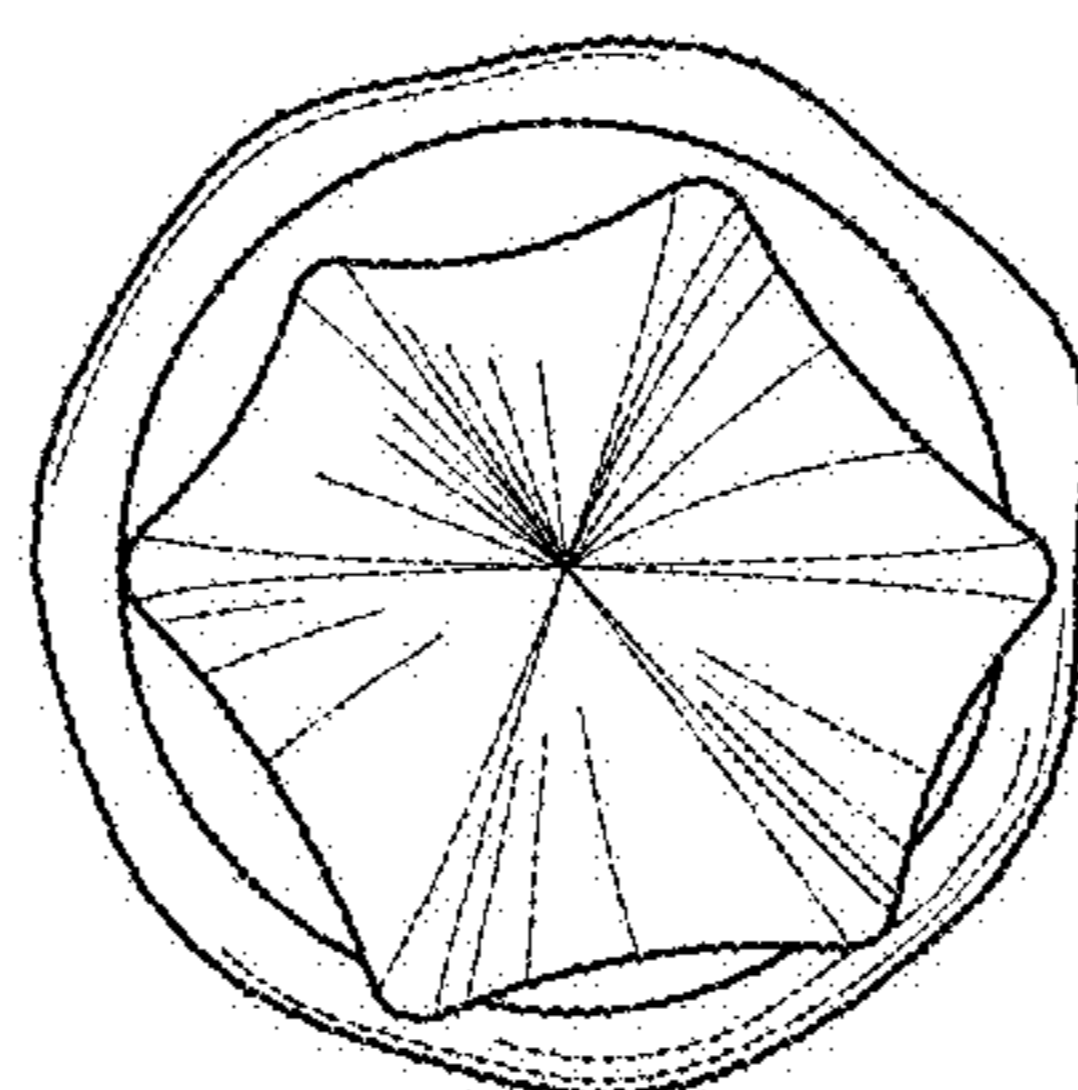


FIG. 6

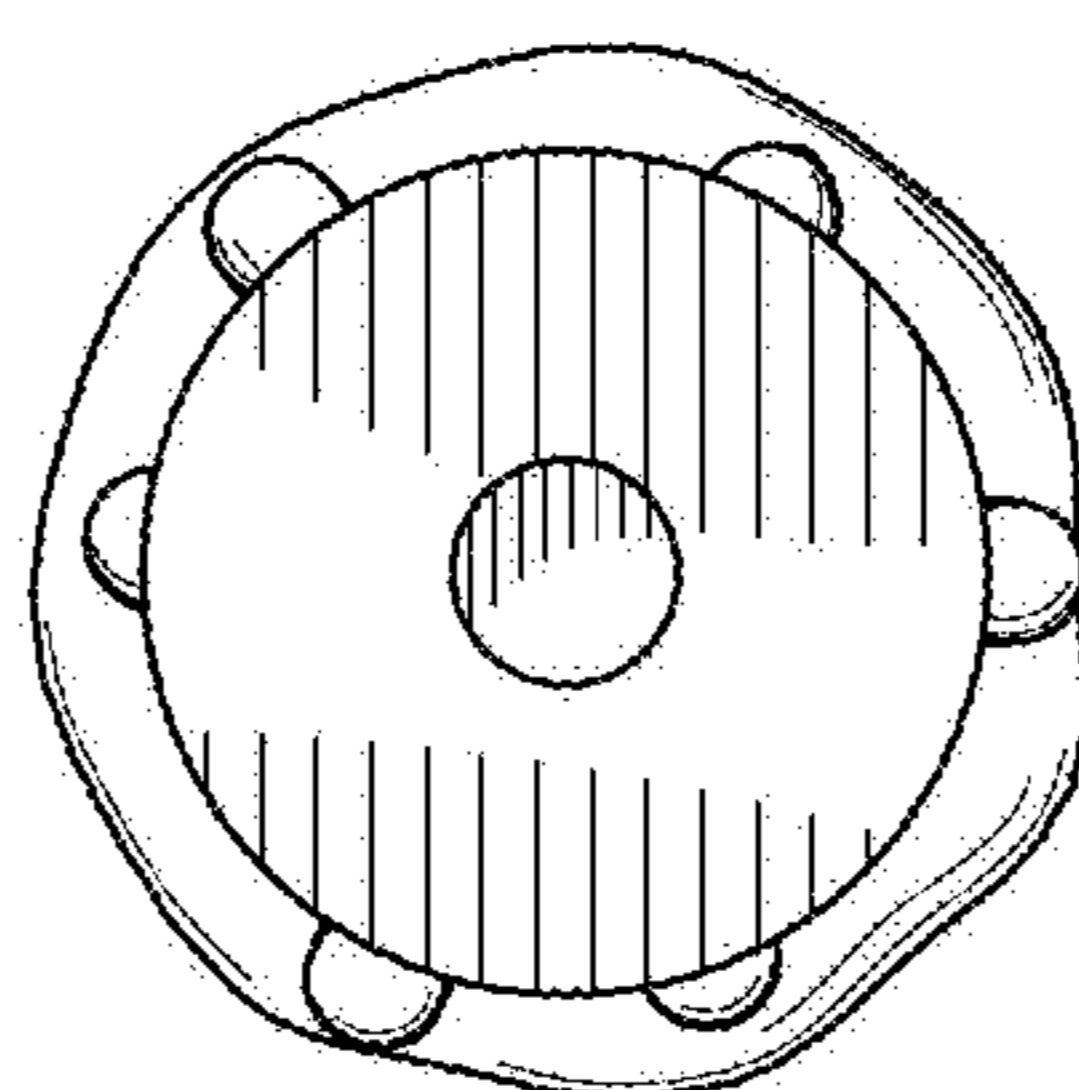


FIG. 7

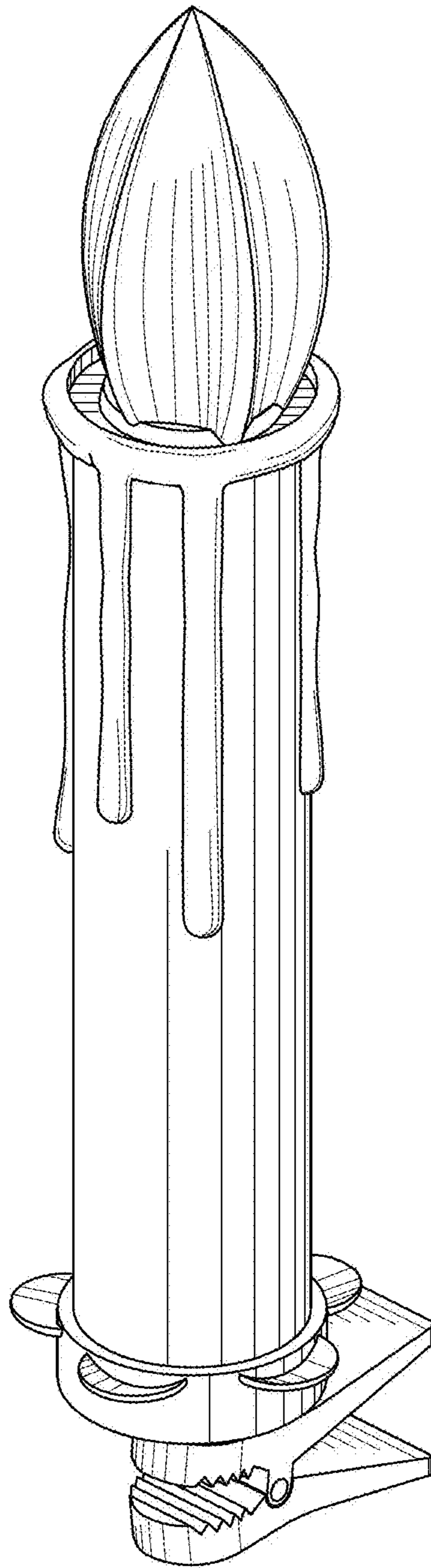


FIG. 8

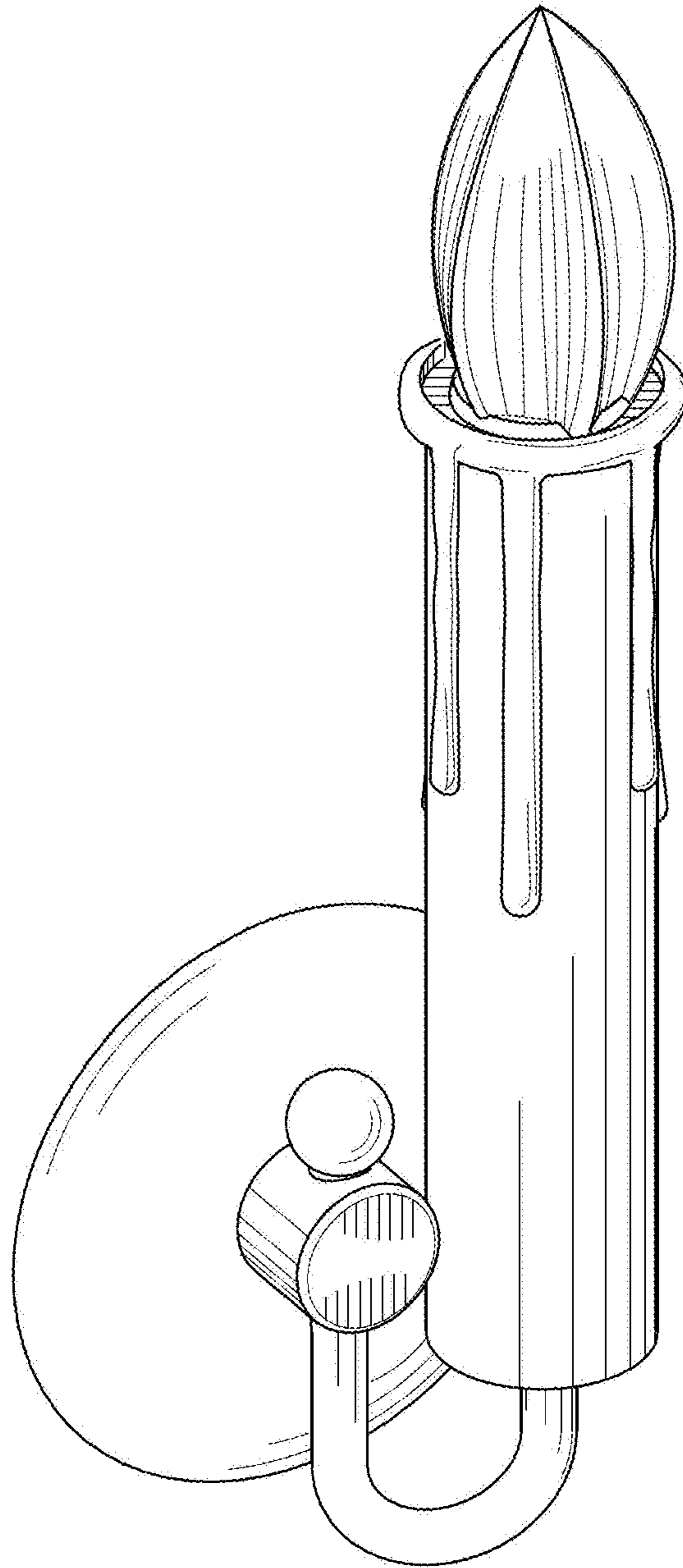


FIG. 9

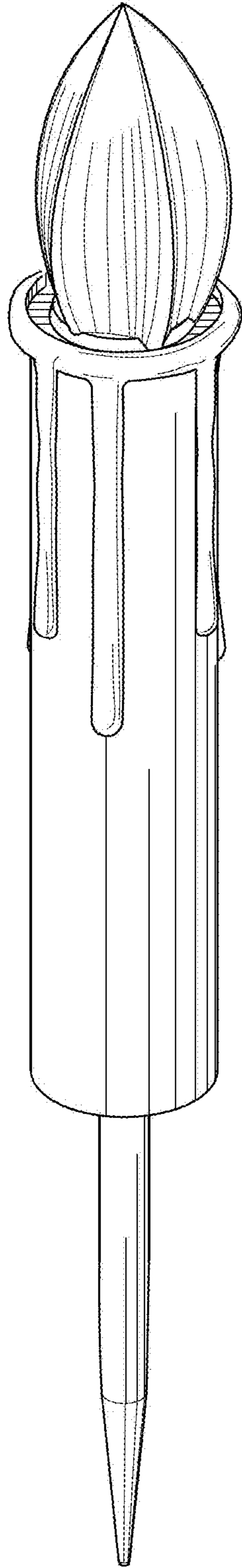


FIG. 10