



US00D911584S

(12) **United States Design Patent**
Zheng

(10) **Patent No.:** **US D911,584 S**

(45) **Date of Patent:** **** Feb. 23, 2021**

(54) **VANITY LIGHT FIXTURE**

(71) Applicant: **Nan Zheng**, Guangdong (CN)

(72) Inventor: **Nan Zheng**, Guangdong (CN)

(**) Term: **15 Years**

(21) Appl. No.: **29/734,156**

(22) Filed: **May 8, 2020**

(51) **LOC (13) Cl.** **26-03**

(52) **U.S. Cl.**
USPC **D26/86**

(58) **Field of Classification Search**

USPC D26/67, 68, 72, 85-87

CPC F21S 13/10

See application file for complete search history.

(56) **References Cited**

U.S. PATENT DOCUMENTS

D676,588 S *	2/2013	Nankil	D26/67
D720,490 S *	12/2014	Bahler	D26/87
8,939,598 B1 *	1/2015	Schmuckle	F21V 21/08
				362/147
D816,881 S *	5/2018	Qiao	D26/86
D816,882 S *	5/2018	Qiao	D26/86
D869,730 S *	12/2019	Lin	D26/80
D879,353 S *	3/2020	Lin	D26/87
D879,354 S *	3/2020	Lin	D26/87
D881,441 S *	4/2020	Van Den Akker	D26/87
D882,844 S	4/2020	Mathews		
D887,617 S *	6/2020	Wang	D26/87
D888,316 S *	6/2020	Huang	D26/86

OTHER PUBLICATIONS

Nevada 2-Light Chrome Bath Light by BELDI Model #24174-W2, available at homedepot.com as early as Jun. 24, 2017. (Year: 2017).*

Bazely 3-Light Brushed Nickel Halogen Vanity Light by Kichler Model #45479NI available at homedepot.com as early as Dec. 22, 2017. (Year: 2017).*

Alberson Collection 4-Light Brushed Nickel LED Vanity Light with Frosted Acrylic Shade by Home Decorators Collection Model #28025-HBU available at homedepot.com as early as Jan. 7, 2016. (Year: 2016).*

Olivet 4-Light Chrome Vanity Light with Cube Glass Shades by Hampton Bay Model #25724-HBU available at homedepot.com as early as Jun. 1, 2014. (Year: 2014).*

* cited by examiner

Primary Examiner — Clare E Heffin

(74) *Attorney, Agent, or Firm* — Justin Lampel

(57) **CLAIM**

The ornamental design for a vanity light fixture, as shown and described.

DESCRIPTION

FIG. 1 is a perspective view of a vanity light fixture, showing the claimed design;

FIG. 2 is a top plan view thereof;

FIG. 3 is a left side view thereof;

FIG. 4 is a front elevational view thereof;

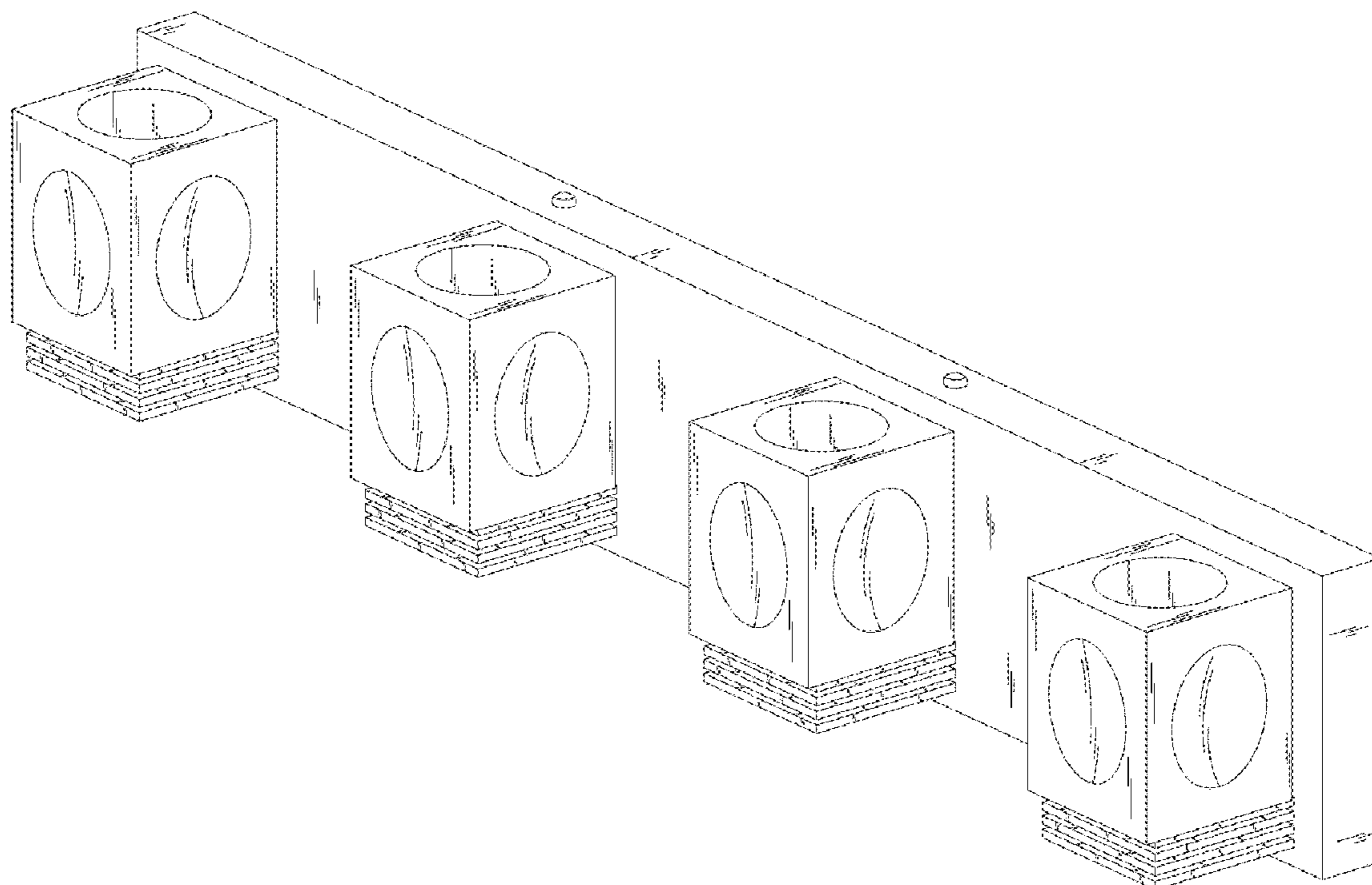
FIG. 5 is a right side view thereof;

FIG. 6 is a rear elevational view thereof; and,

FIG. 7 is a bottom plan view thereof.

The broken lines shown on the drawings depict portions of the vanity light fixture that form no part of the claimed design.

1 Claim, 7 Drawing Sheets



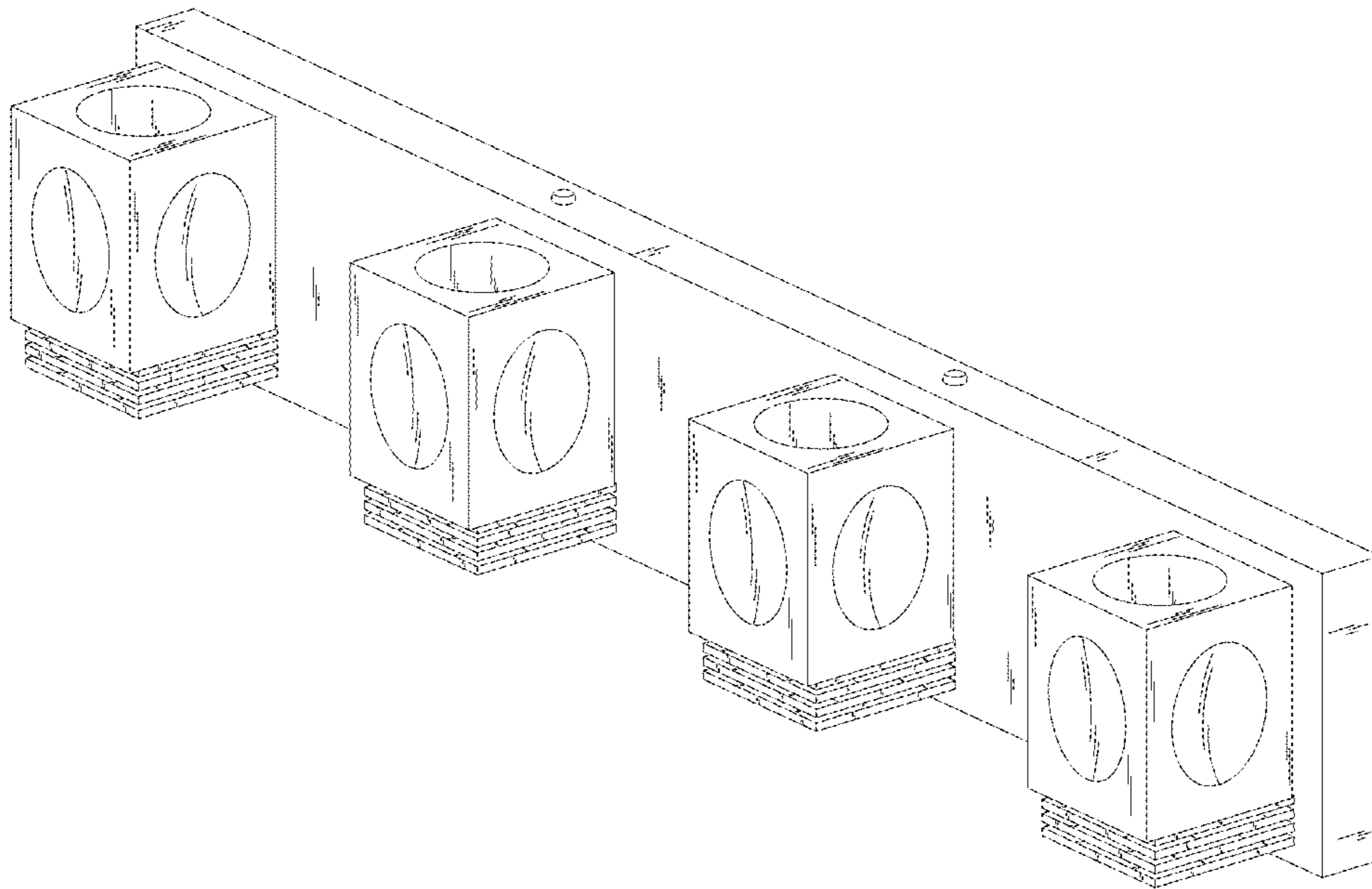


FIG.1

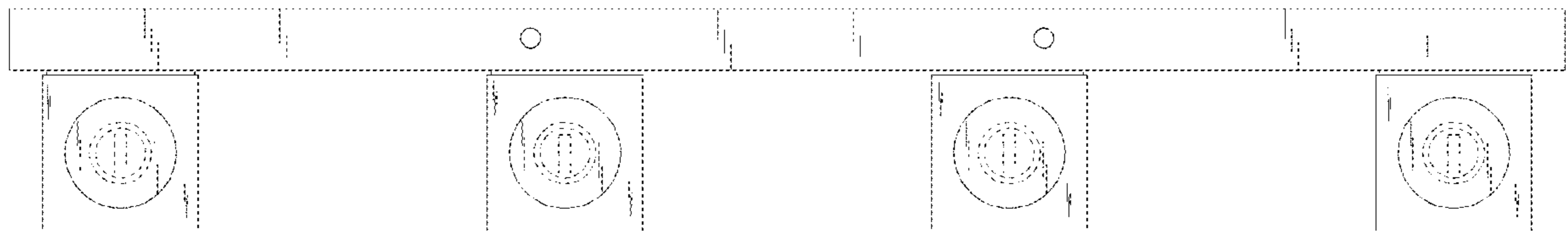


FIG. 2

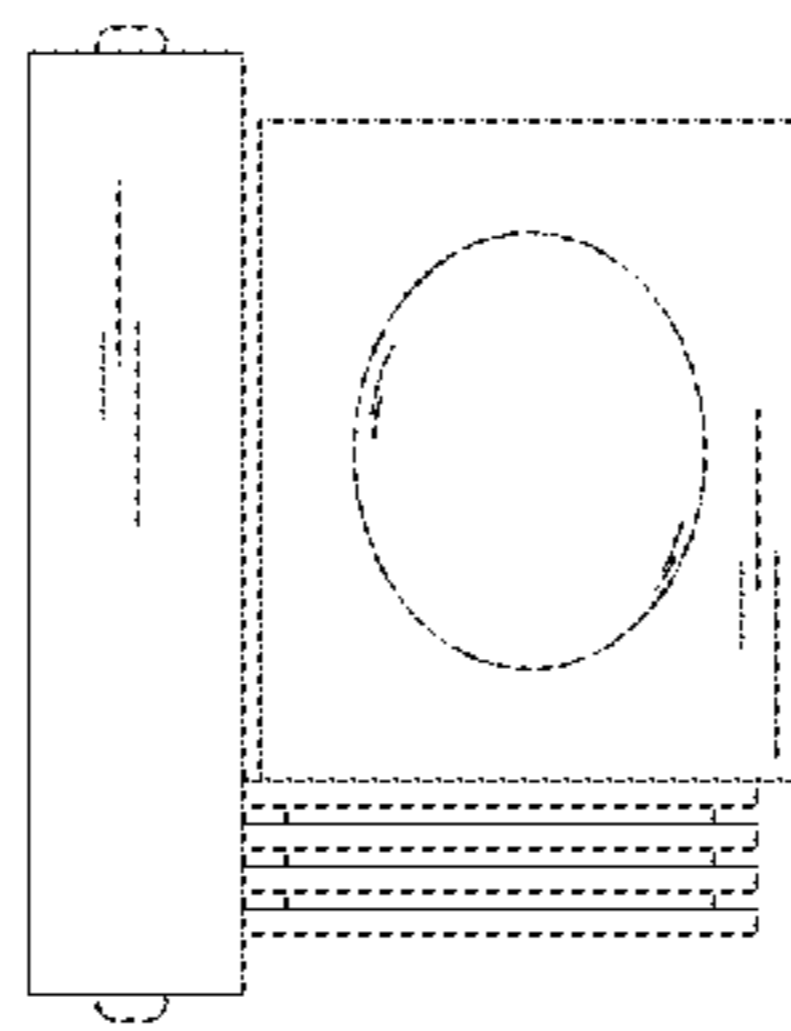


FIG. 3

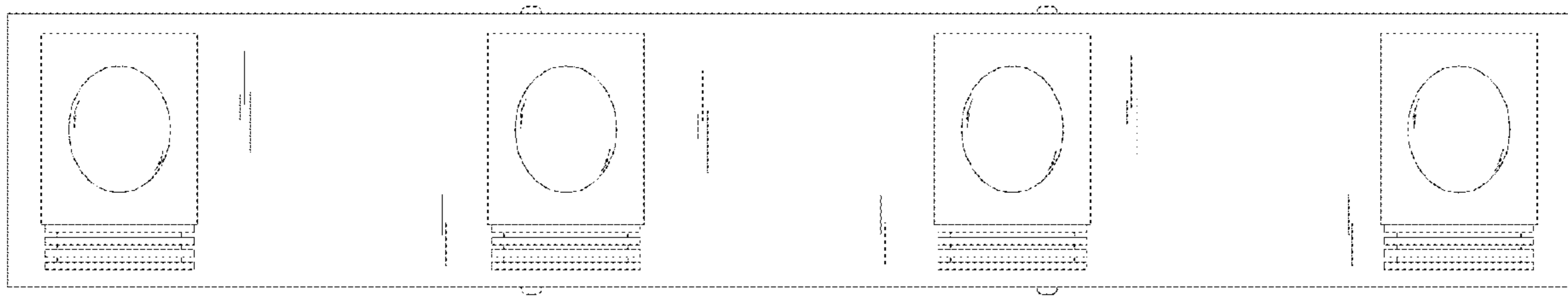


FIG. 4

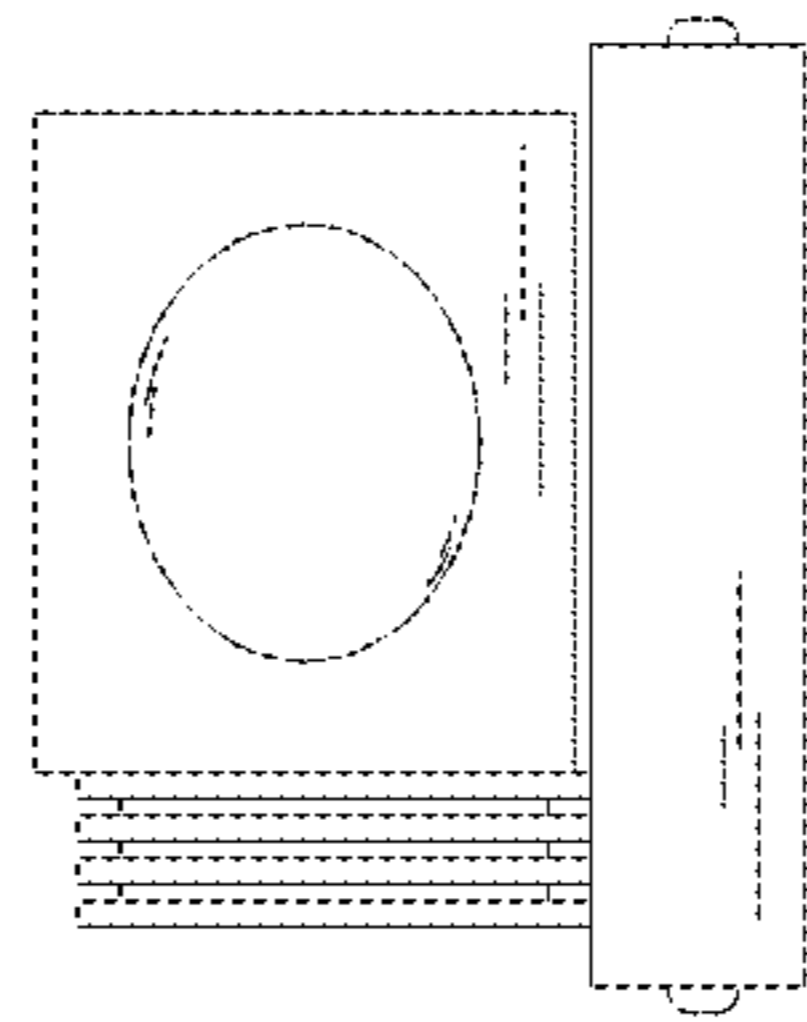


FIG.5

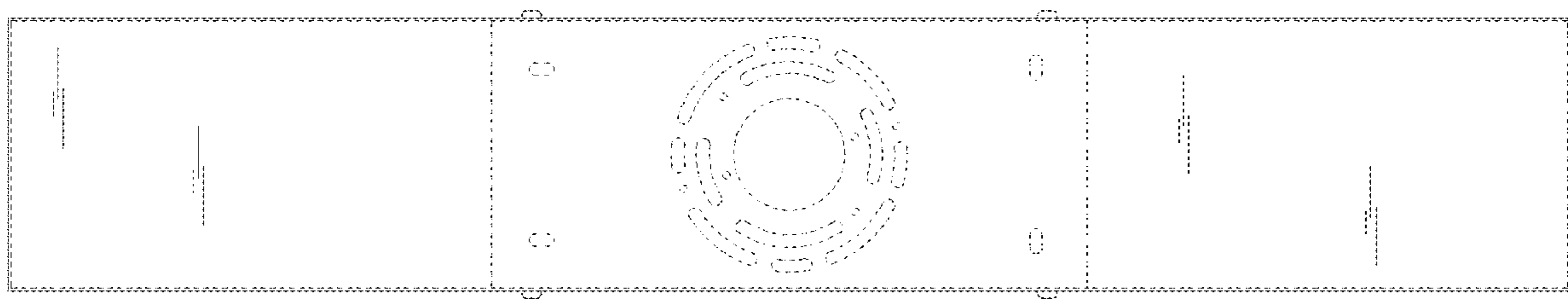


FIG. 6

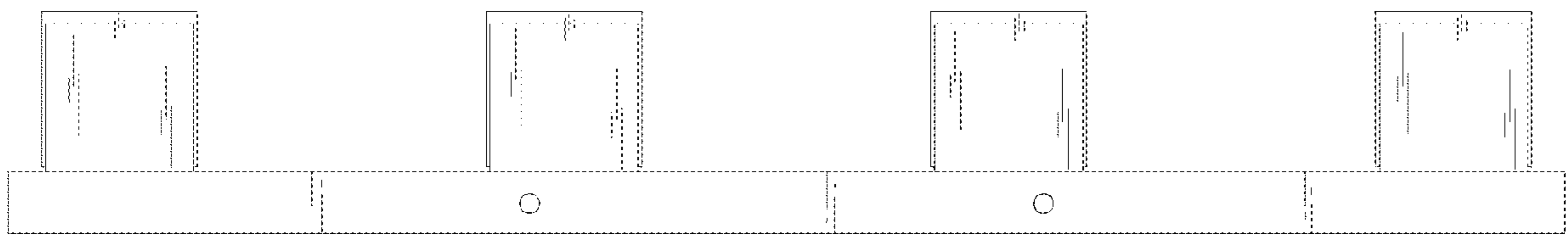


FIG. 7