



US00D911583S

(12) **United States Design Patent** (10) **Patent No.:** **US D911,583 S**
Amato et al. (45) **Date of Patent:** **** Feb. 23, 2021**

(54) **LIGHTING FIXTURE**

(71) Applicant: **The Urban Electric Company**, North Charleston, SC (US)

(72) Inventors: **Michael Amato**, London (GB); **David Dawson**, Charleston, SC (US); **Jonathan Charpia**, Summerville, SC (US); **Joeangel Casanova**, Brooklyn, NY (US); **Brianna Magagnoli**, North Charleston, SC (US); **Janis Golubeckis**, Mount Pleasant, SC (US)

(73) Assignee: **The Urban Electric Company**, North Charleston, SC (US)

(**) Term: **15 Years**

(21) Appl. No.: **29/702,866**

(22) Filed: **Aug. 22, 2019**

(51) **LOC (13) Cl.** **26-03**

(52) **U.S. Cl.**
USPC **D26/84; D26/90**

(58) **Field of Classification Search**
USPC D26/72, 80-86, 88, 90
CPC F21S 8/04; F21S 8/043; F21S 8/046; F21S 8/06; F21S 8/061; F21S 8/063; F21S 8/065; F21S 8/066; F21S 8/068
See application file for complete search history.

(56) **References Cited**

U.S. PATENT DOCUMENTS

D6,809 S *	8/1873	Travis1	D26/80
D70,151 S *	5/1926	Balk	D26/83
D236,367 S *	8/1975	Estell	D26/84
D261,436 S *	10/1981	Palka	D26/80
D469,561 S *	1/2003	Thompson	D26/82
D620,178 S *	7/2010	Sabernig	D26/84
D620,630 S *	7/2010	Sabernig	D26/86
D775,756 S *	1/2017	Amato	D26/72
D806,305 S *	12/2017	Amato	D26/81
D825,090 S *	8/2018	Richardson	D26/84

D828,945 S *	9/2018	Crocker	D26/81
2015/0055344 A1 *	2/2015	Van Hoof	F21S 2/005 362/249.03
2017/0198895 A1 *	7/2017	Sonneman	F21S 8/065

OTHER PUBLICATIONS

6-way Light Island Chandelier from target.com visited Dec. 29, 2020. (Year: 2020).*

Dobbs Island Chandelier from modernbungalow.com visited Dec. 29, 2020. (Year: 2020).*

* cited by examiner

Primary Examiner — Clare E Heflin

(74) *Attorney, Agent, or Firm* — Haynsworth Sinkler Boyd, P.A.

(57) **CLAIM**

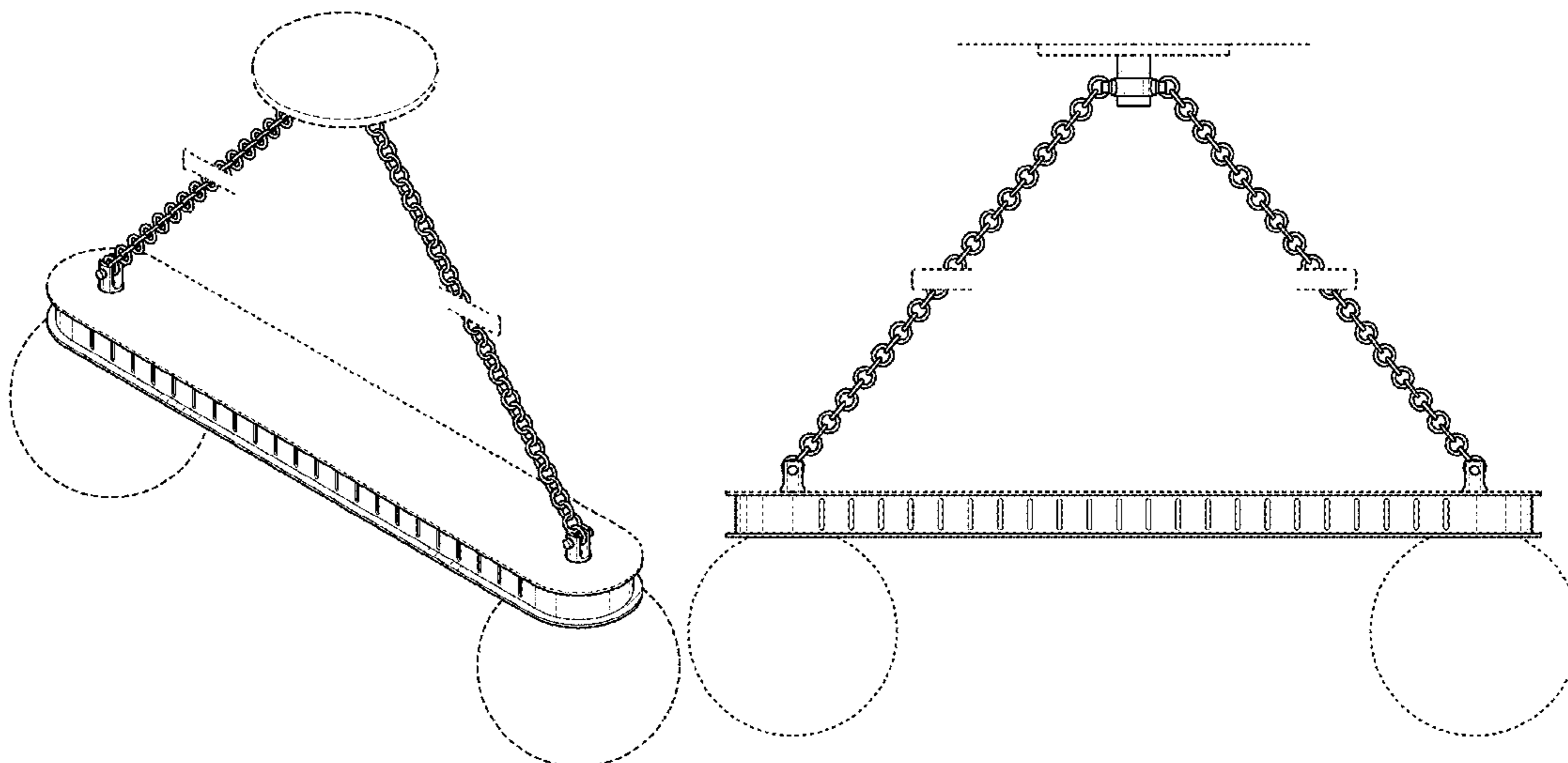
The ornamental designs for a lighting fixture, as shown and described.

DESCRIPTION

FIG. 1 is a bottom perspective view of a lighting fixture depicting a new design;
FIG. 2 is a top perspective view thereof;
FIG. 3 is a front elevational view thereof;
FIG. 4 is a back elevational view thereof;
FIG. 5 is a left elevational view thereof;
FIG. 6 is a right elevational view thereof;
FIG. 7 is a top plan view thereof; and,
FIG. 8 is a bottom plan view thereof.

The broken lines extending from the perimeter of the lighting fixtures in FIGS. 3-6 represent environment which forms no part of the claimed design. The break lines shown in the drawings indicate that the appearance of any portion of the article between the break lines forms no part of the claimed design. The remaining broken line disclosures in the views represent portions of the lighting fixture that form no part of the claimed design.

1 Claim, 8 Drawing Sheets



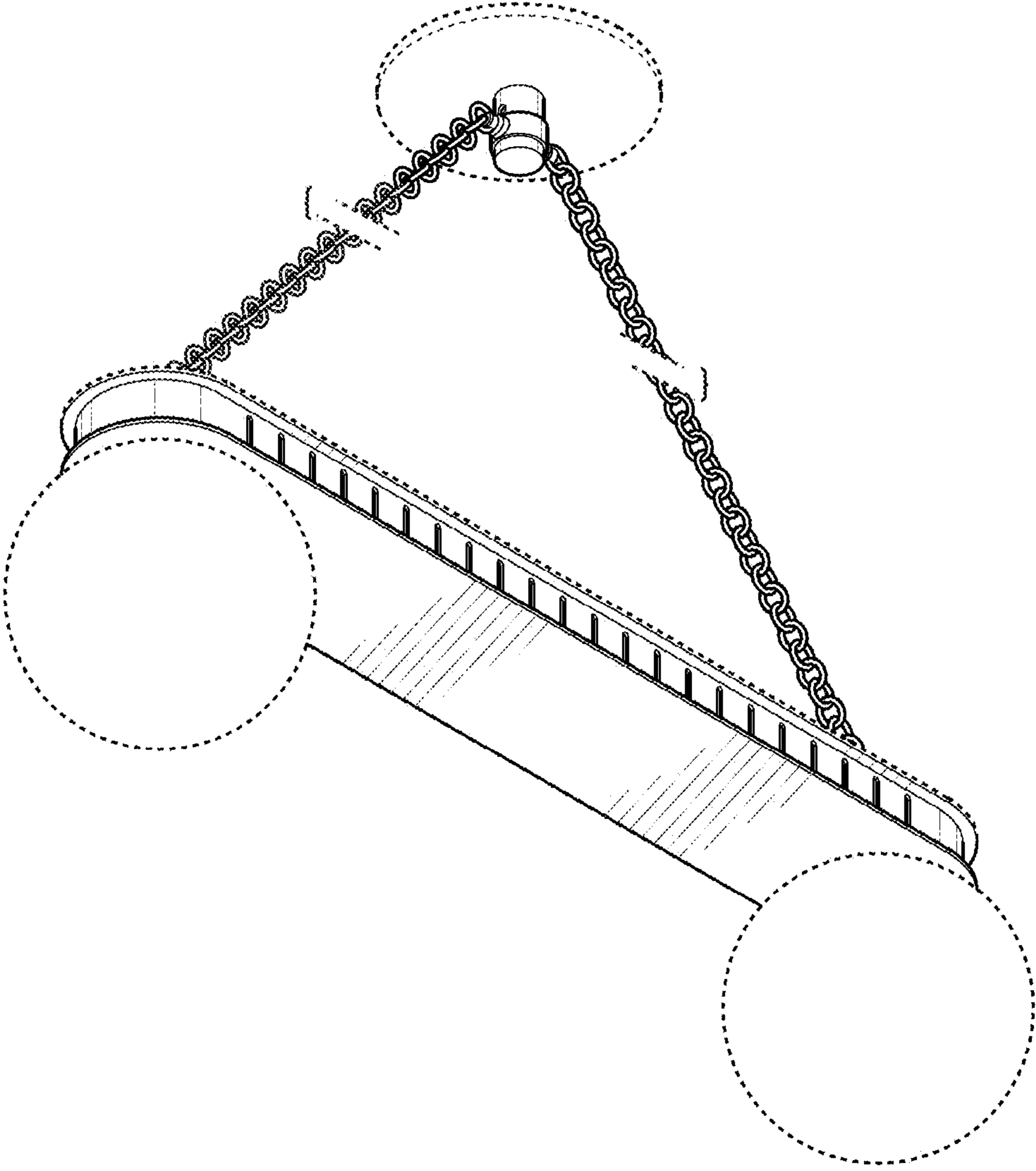


FIG. 1

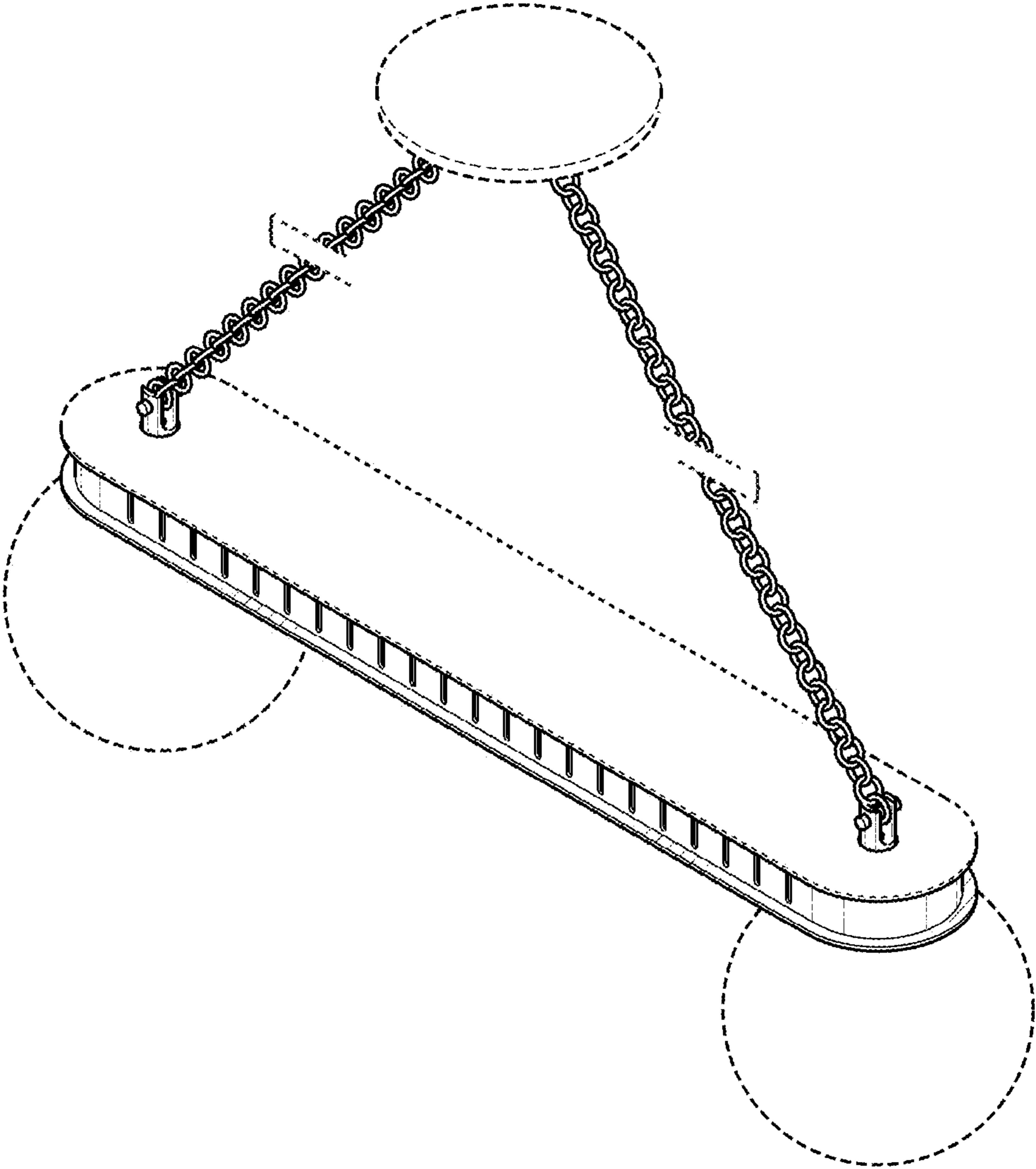


FIG. 2

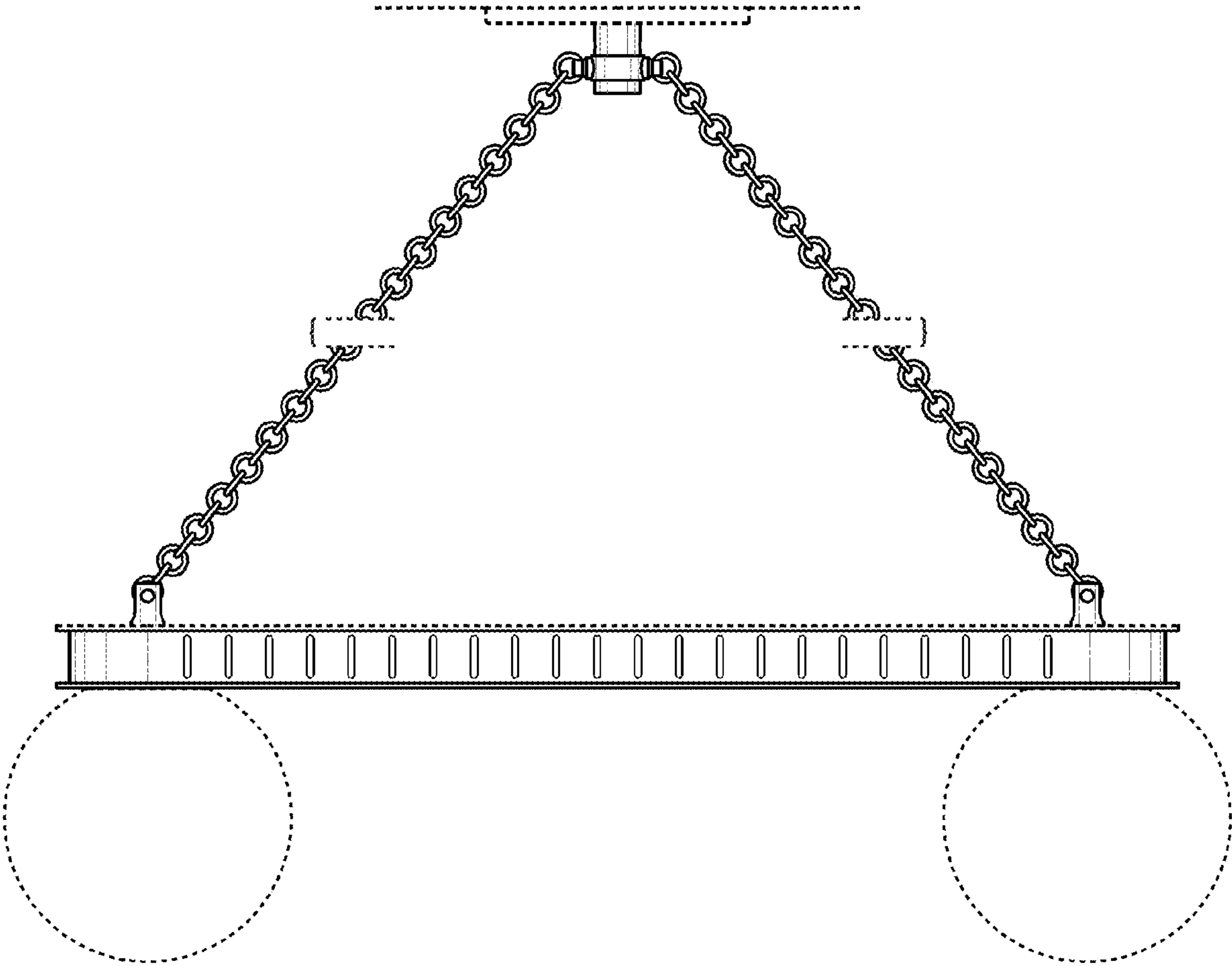


FIG. 3

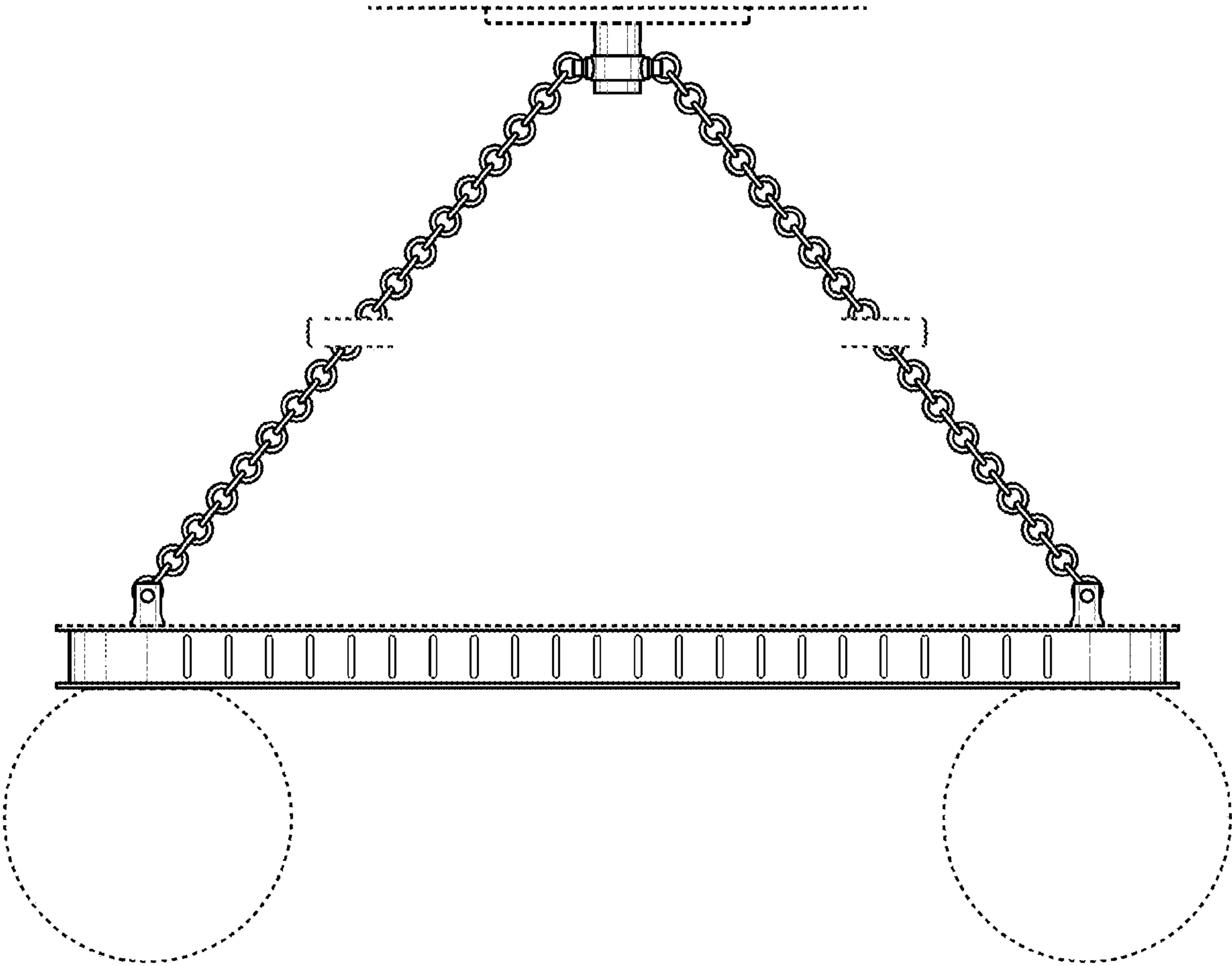


FIG. 4

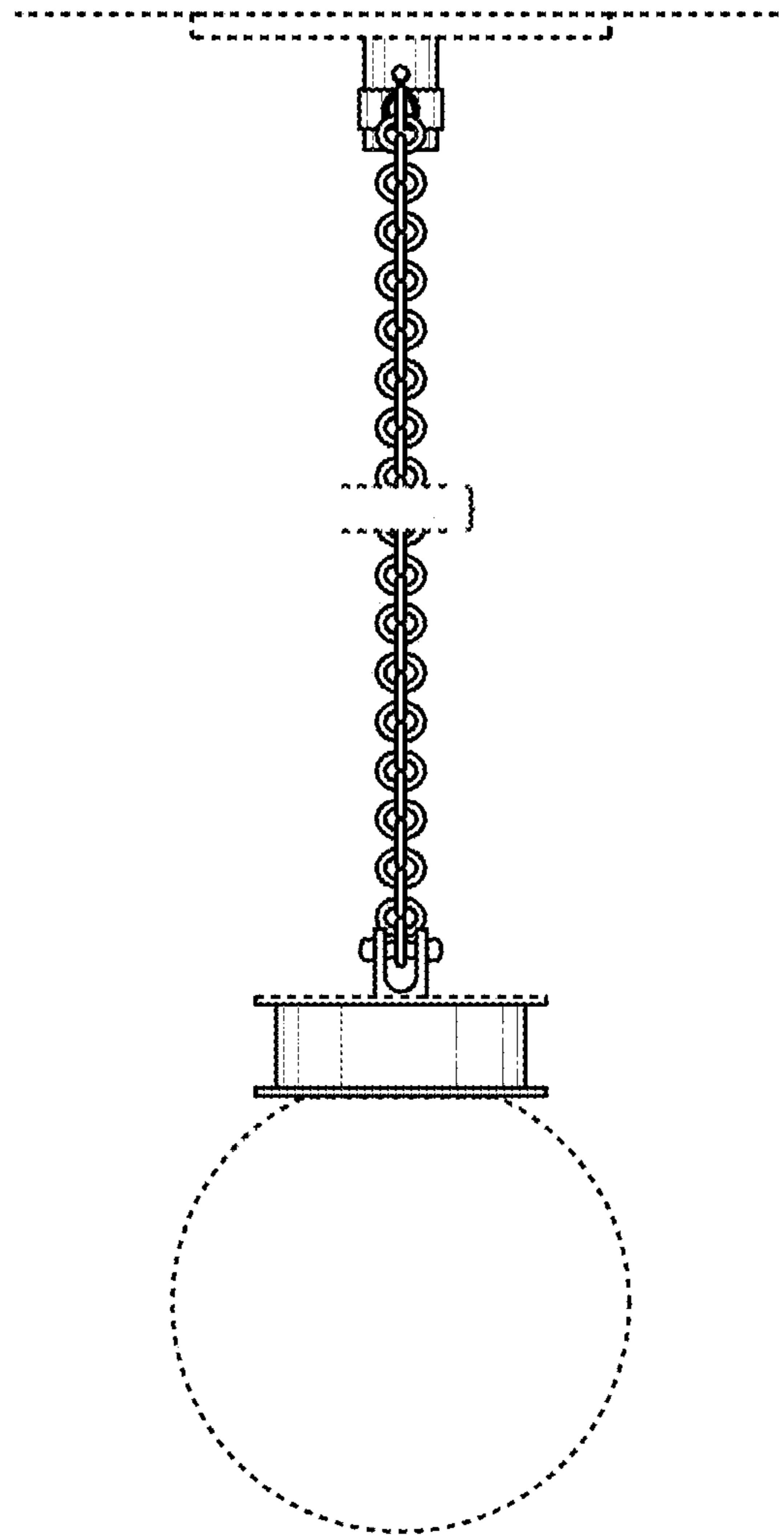


FIG. 5

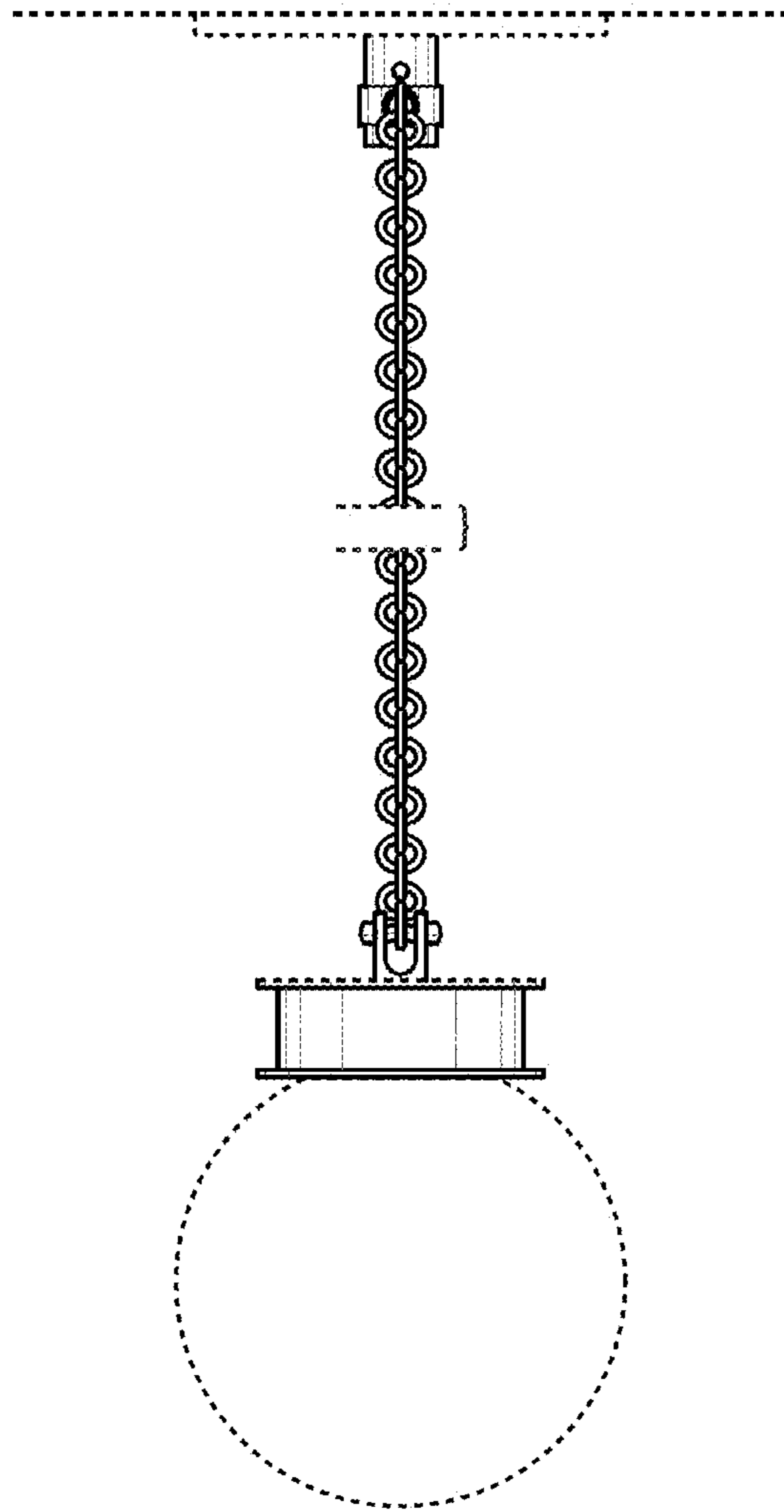


FIG. 6

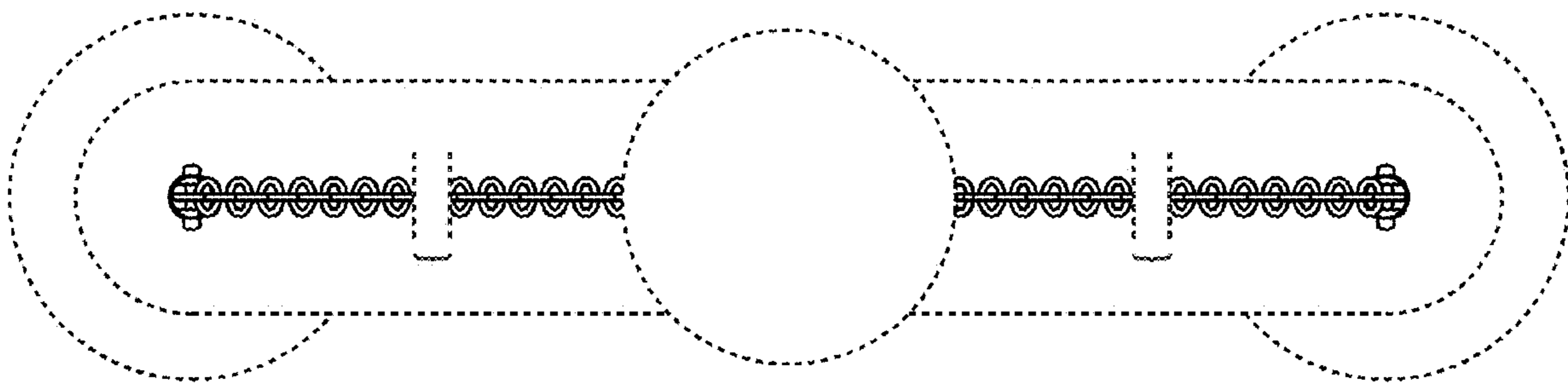


FIG. 7

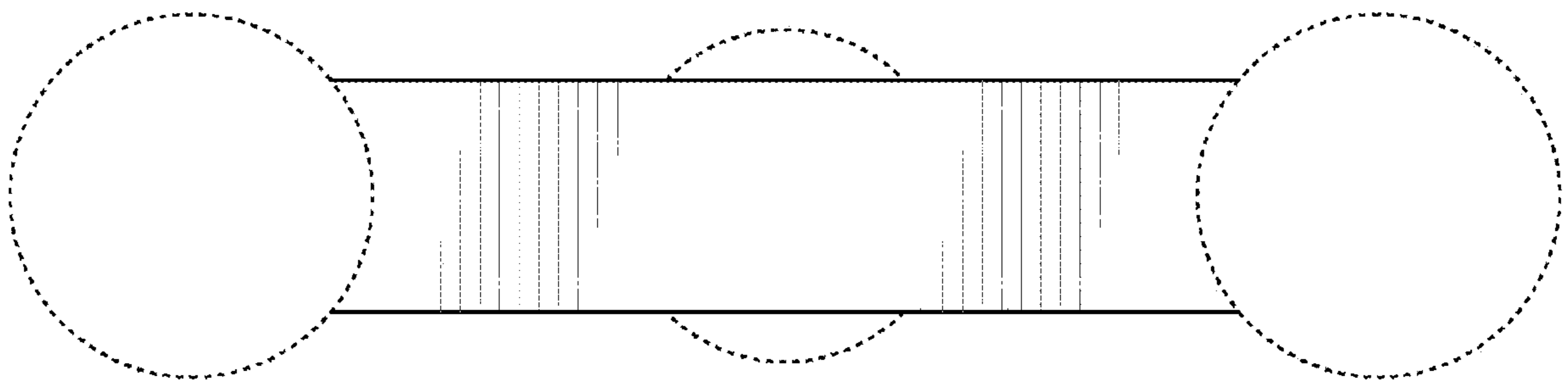


FIG. 8