



US00D911582S

(12) **United States Design Patent** (10) **Patent No.:** **US D911,582 S**  
**Amato et al.** (45) **Date of Patent:** **\*\* Feb. 23, 2021**

(54) **LIGHTING FIXTURE**

(71) Applicant: **The Urban Electric Company**, North Charleston, SC (US)  
(72) Inventors: **Michael Amato**, London (GB); **David Dawson**, Charleston, SC (US); **Jonathan Charpia**, Summerville, SC (US); **Joeangel Casanova**, Brooklyn, NY (US); **Brianna Magagnoli**, North Charleston, SC (US); **Janis Golubeckis**, Mount Pleasant, SC (US)  
(73) Assignee: **The Urban Electric Company**, North Charleston, SC (US)

(\*\*) Term: **15 Years**

(21) Appl. No.: **29/702,880**

(22) Filed: **Aug. 22, 2019**

(51) **LOC (13) Cl.** ..... **26-03**

(52) **U.S. Cl.**  
USPC ..... **D26/83; D26/90**

(58) **Field of Classification Search**  
USPC ..... D26/72, 80-86, 88, 90, 89, 141-144, D26/149, 152, 155  
CPC .... F21S 8/04; F21S 8/043; F21S 8/046; F21S 8/06; F21S 8/061; F21S 8/063; F21S 8/065; F21S 8/066; F21S 8/068  
See application file for complete search history.

(56) **References Cited**

**U.S. PATENT DOCUMENTS**

D21,701 S	*	7/1892	Gaston	.....	D26/141
D48,144 S	*	11/1915	Adam	.....	D26/149
D70,151 S	*	5/1926	Balk	.....	D26/83
D261,436 S	*	10/1981	Palka	.....	D26/80
D421,149 S	*	2/2000	Chen	.....	D26/142
D423,711 S	*	4/2000	Chen	.....	D26/142
D440,696 S	*	4/2001	Dolan	.....	D26/142
D444,910 S	*	7/2001	Lee	.....	D26/142
D461,270 S	*	8/2002	Hsu	.....	D26/85

(Continued)

**OTHER PUBLICATIONS**

Eurofase Pemberton Satin Nickel Modern/Contemporary Linear LED Pendant Light, available at lowes.com / visited Dec. 30, 2020. (Year: 2020).\*

(Continued)

*Primary Examiner* — Clare E Heflin  
(74) *Attorney, Agent, or Firm* — Haynesworth Sinkler Boyd, P.A.

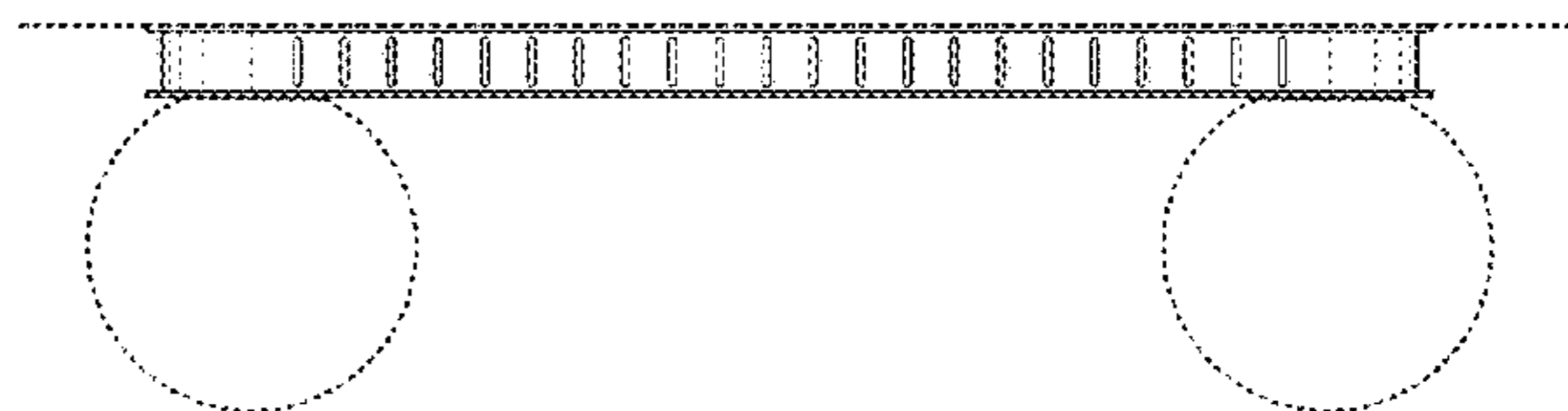
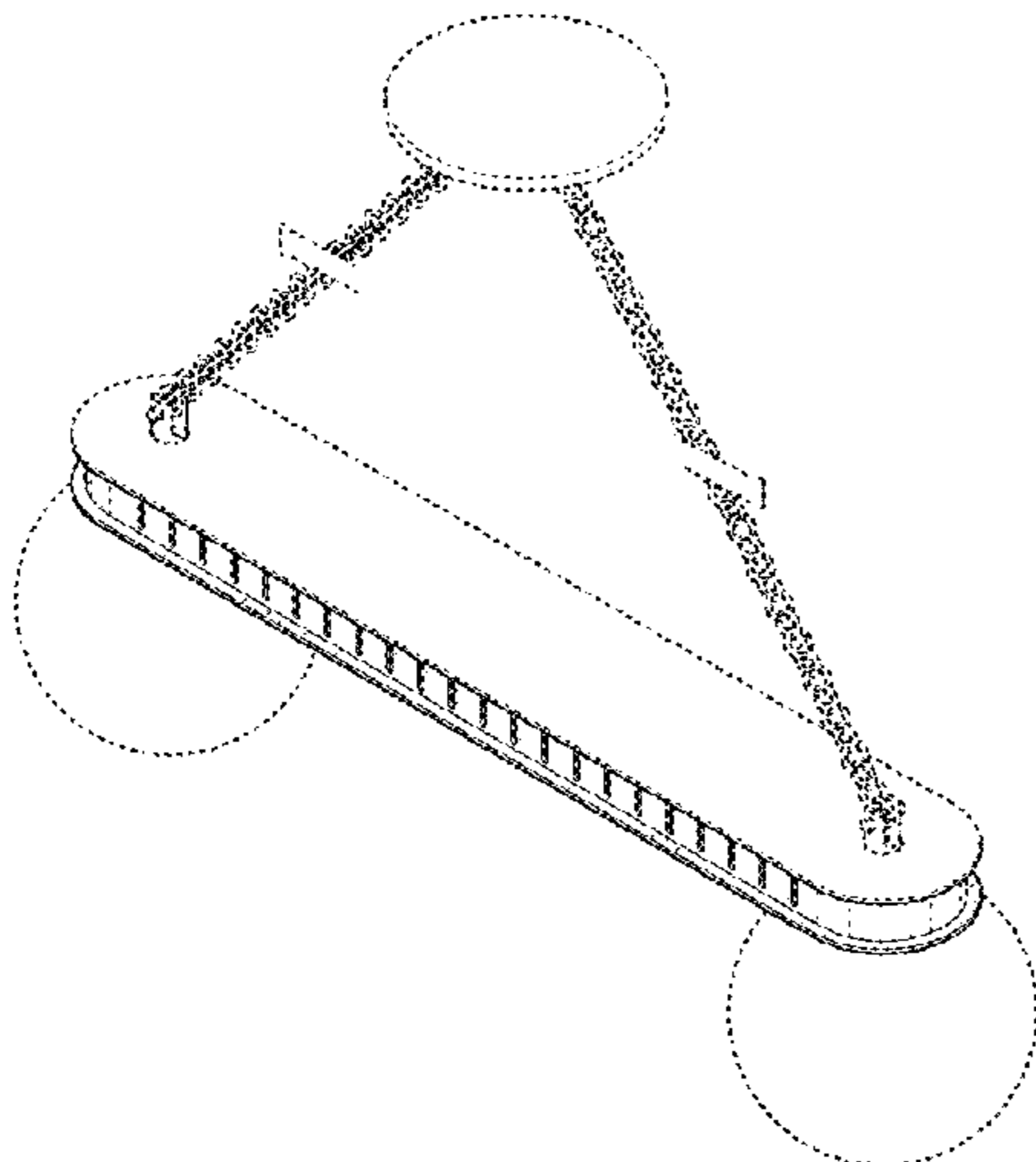
(57) **CLAIM**

The ornamental design for a lighting fixture, as shown and described.

**DESCRIPTION**

FIG. 1 is a bottom perspective view of a lighting fixture depicting a new design;  
FIG. 2 is a top perspective view thereof;  
FIG. 3 is a front elevational view thereof;  
FIG. 4 is a back elevational view thereof;  
FIG. 5 is a left elevational view thereof;  
FIG. 6 is a right elevational view thereof;  
FIG. 7 is a top plan view thereof; and  
FIG. 8 is a bottom plan view thereof;  
FIG. 9 is a front elevational view of the lighting fixture suspended from disclaimed rods rather than the disclaimed chains depicted in FIGS. 1-8; and,  
FIG. 10 is a front elevational view of the Lighting Fixture flush mounted to a ceiling, rather than suspended from the ceiling.  
The broken lines extending from the perimeter of the lighting fixtures in FIGS. 3-6, 9 and 10 represent environment which forms no part of the claimed design. The remaining broken line disclosures in the views represent portions of the lighting fixture, such as optional structure, that form no part of the claimed design.

**1 Claim, 10 Drawing Sheets**



(56)

**References Cited**

U.S. PATENT DOCUMENTS

D464,167 S \* 10/2002 De'Armond ..... D26/142  
D469,561 S \* 1/2003 Thompson ..... D26/82  
D620,178 S \* 7/2010 Sabernig ..... D26/84  
2017/0198895 A1 \* 7/2017 Sonneman ..... F21S 8/065

OTHER PUBLICATIONS

Mid-Century Modern Style 4 Light Oval Ring Chandelier with Mouth Blown Opaline Spheres for Kitchen Island/Dining Table YL002348, available at [yiilighting.com](http://yiilighting.com) / visited Dec. 30, 2020.

(Year: 2020).\*

Youlaike new modern chandelier available at [alibaba.com](http://alibaba.com) / visited Dec. 30, 2020. (Year: 2020).\*

Modern Pendant Lighting Dining Room Acrylic Stepless Dimmable Light Fixture available at [gakgod.com](http://gakgod.com) / visited Dec. 30, 2020.

(Year: 2020).\*

\* cited by examiner

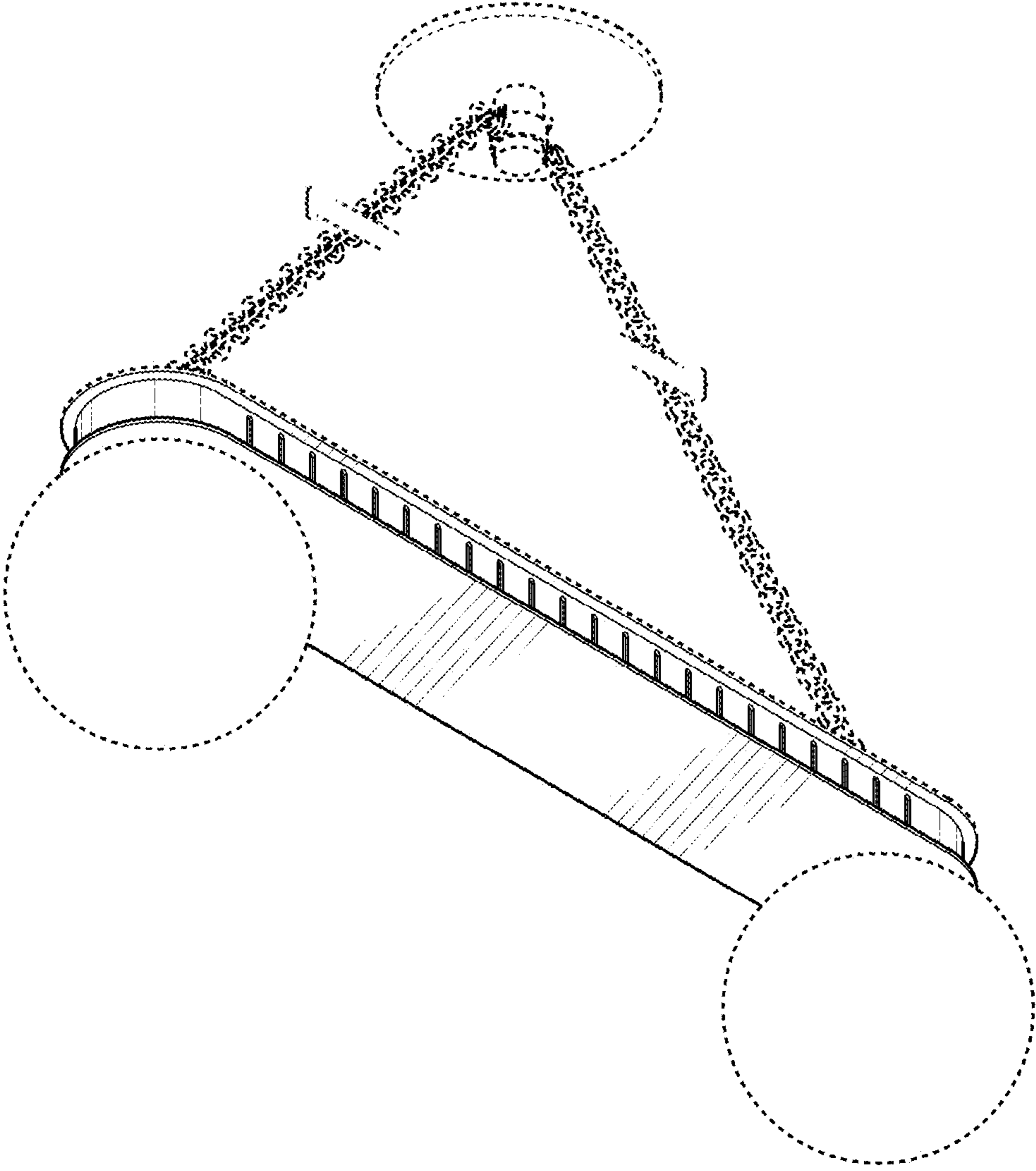


FIG. 1

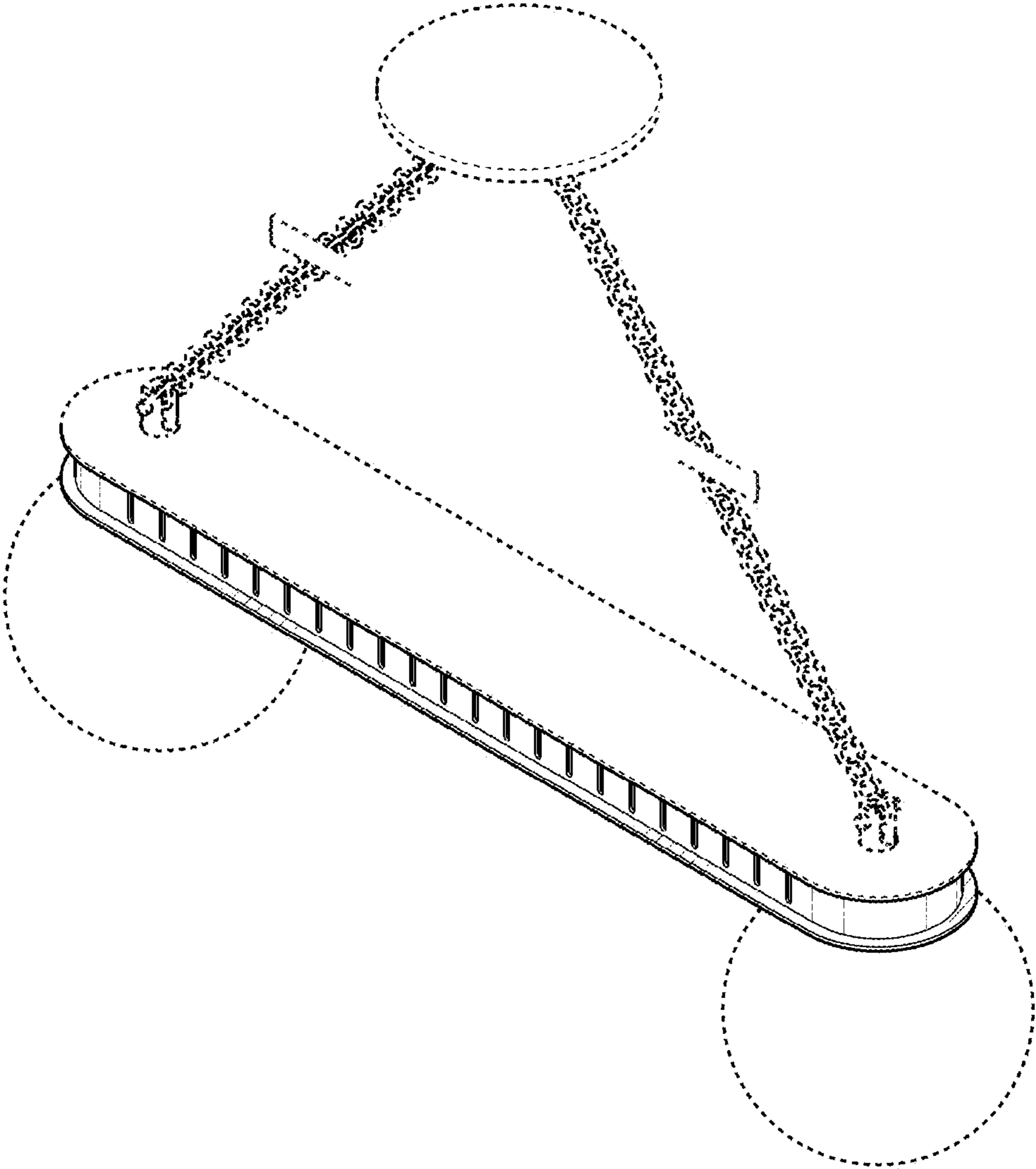


FIG. 2

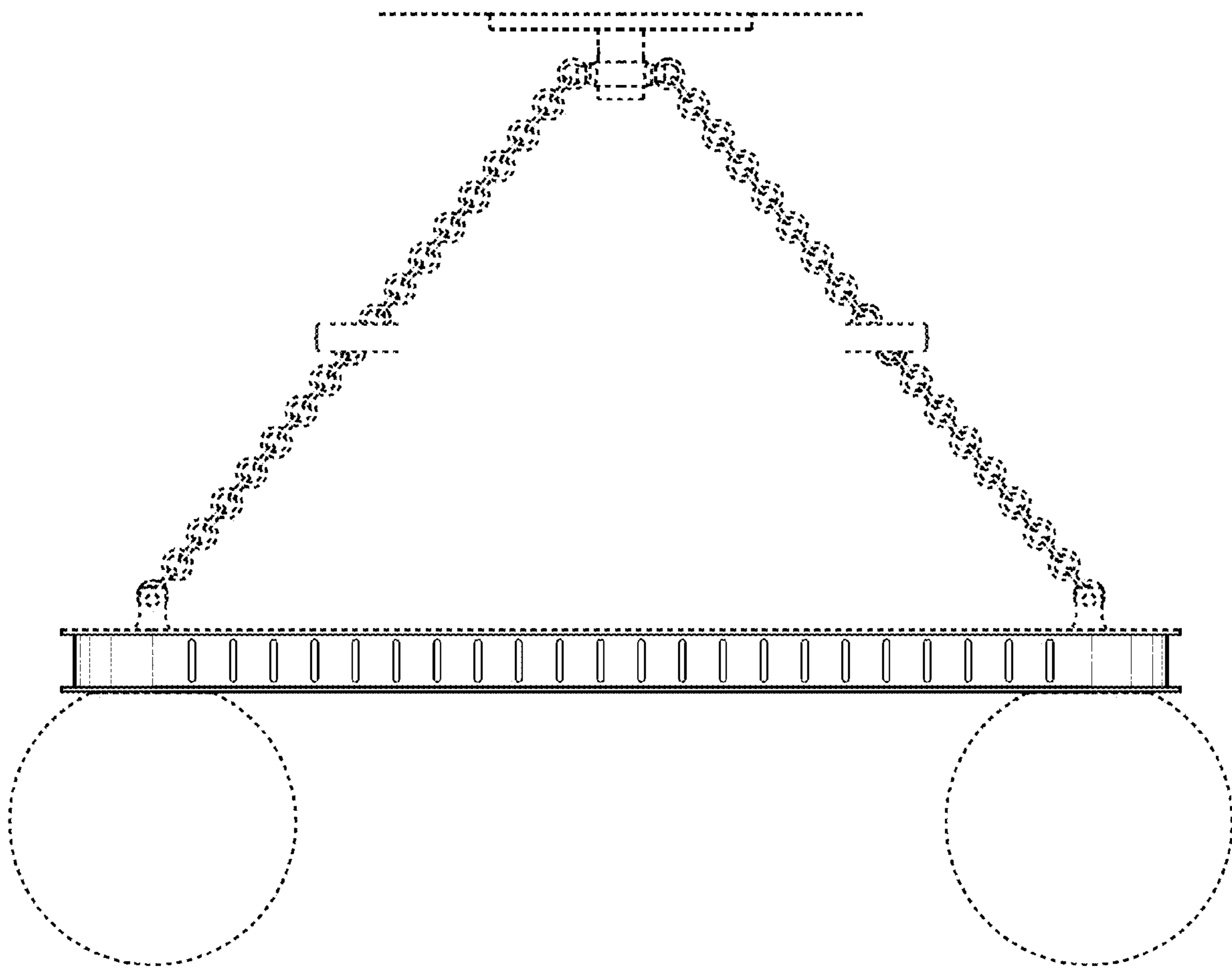


FIG. 3

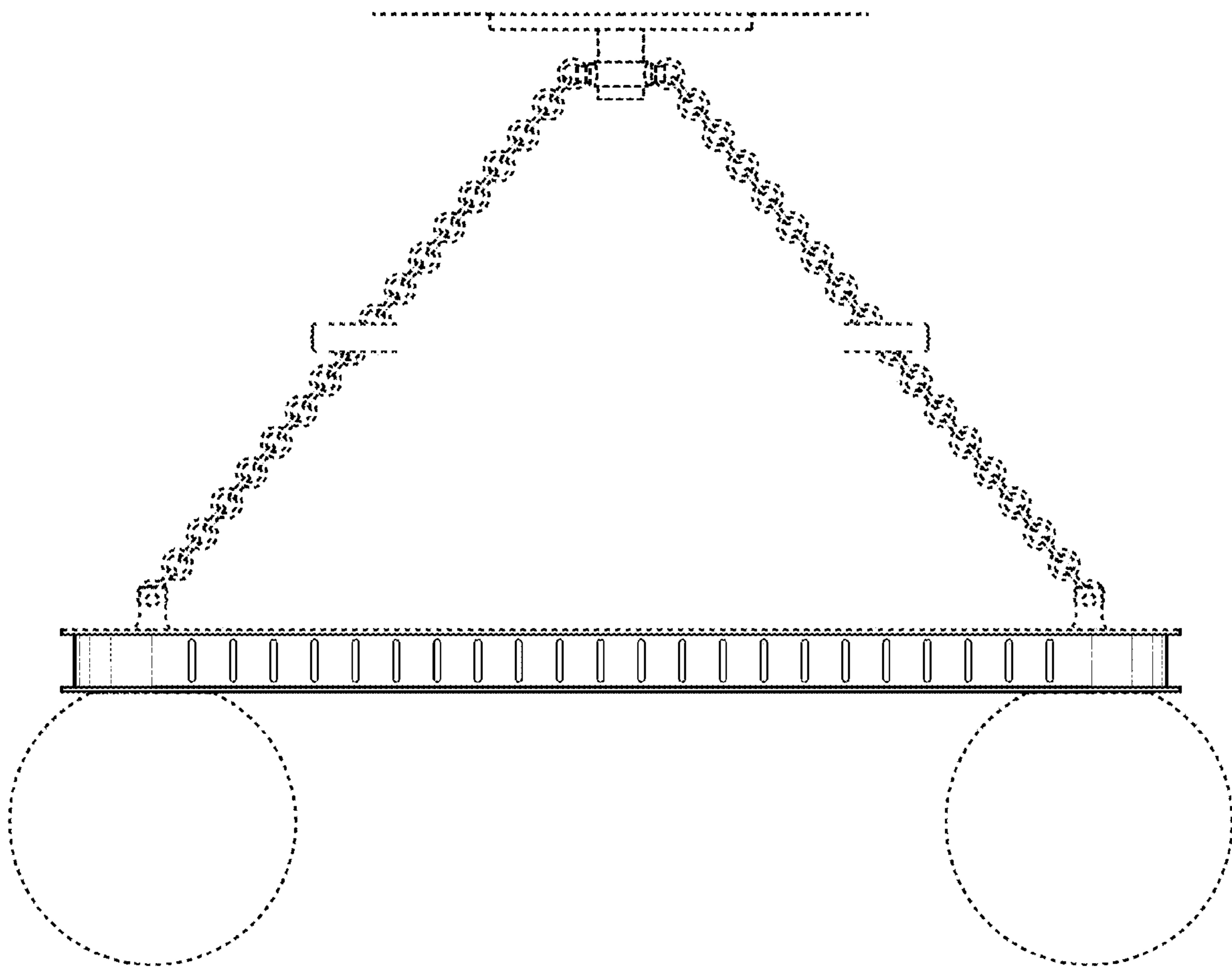


FIG. 4

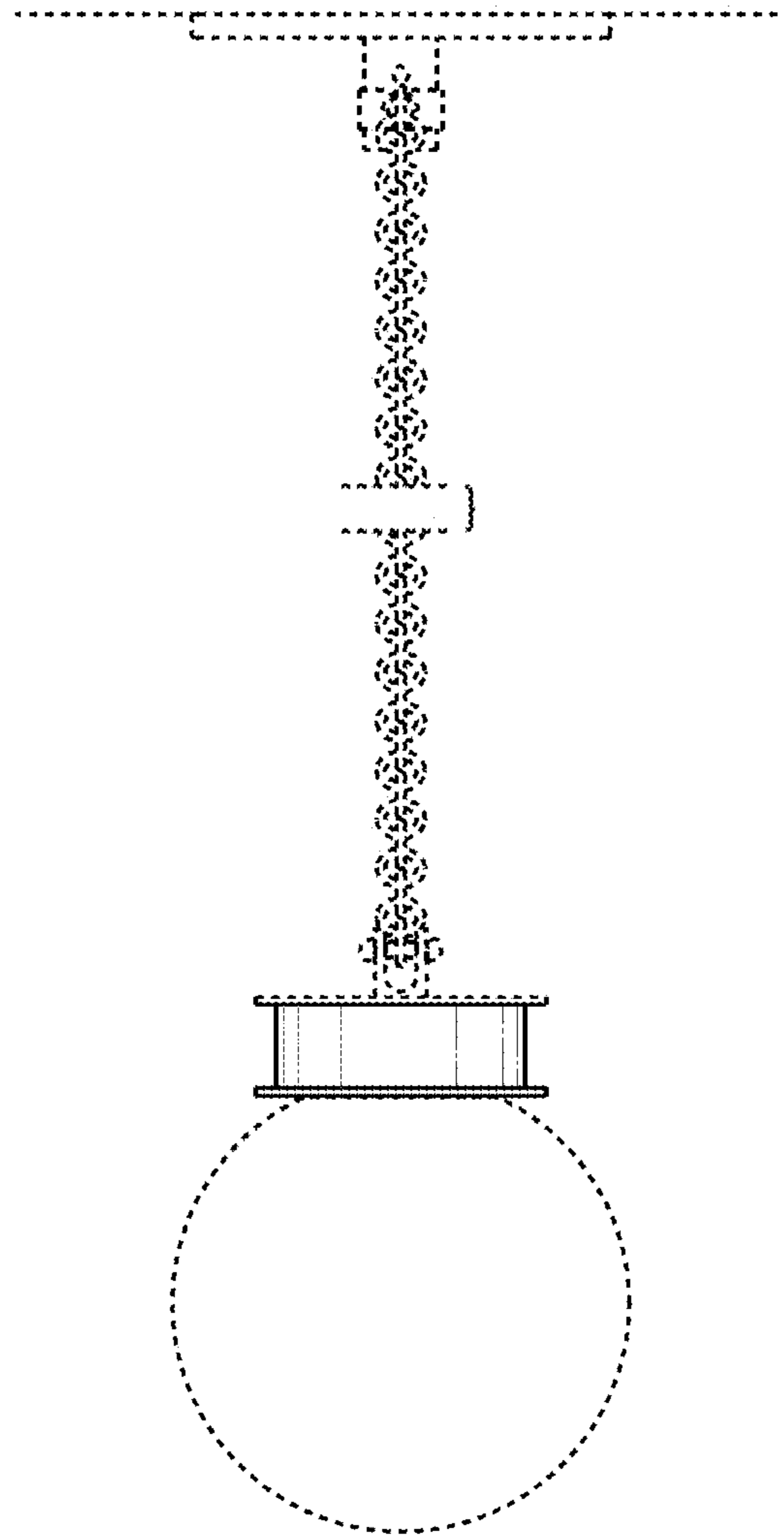


FIG. 5

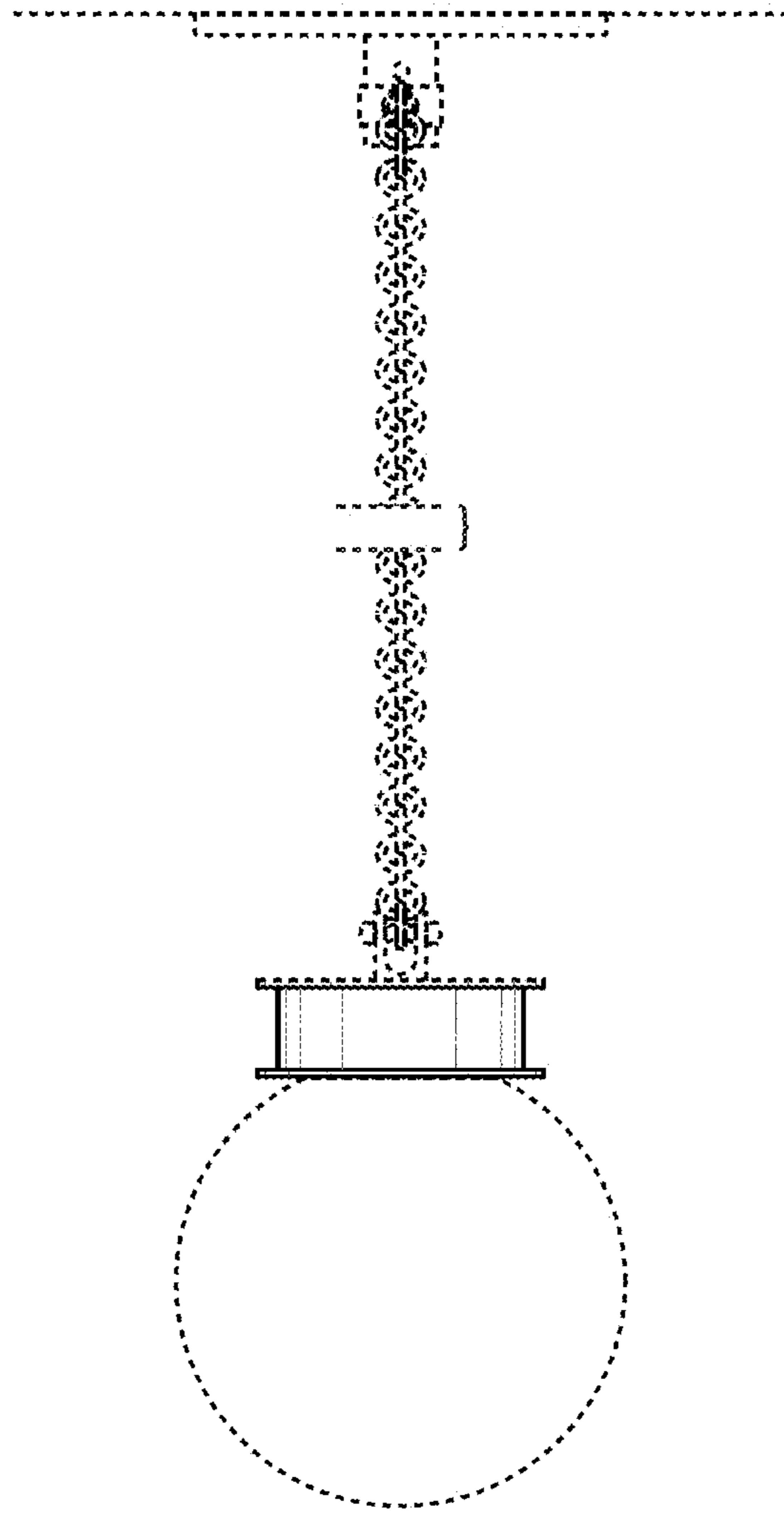


FIG. 6



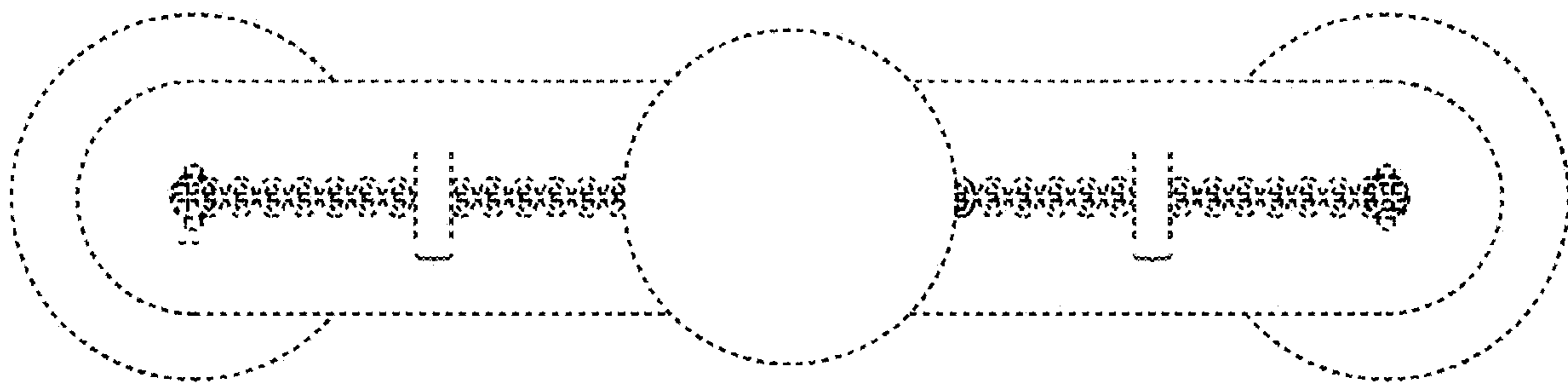
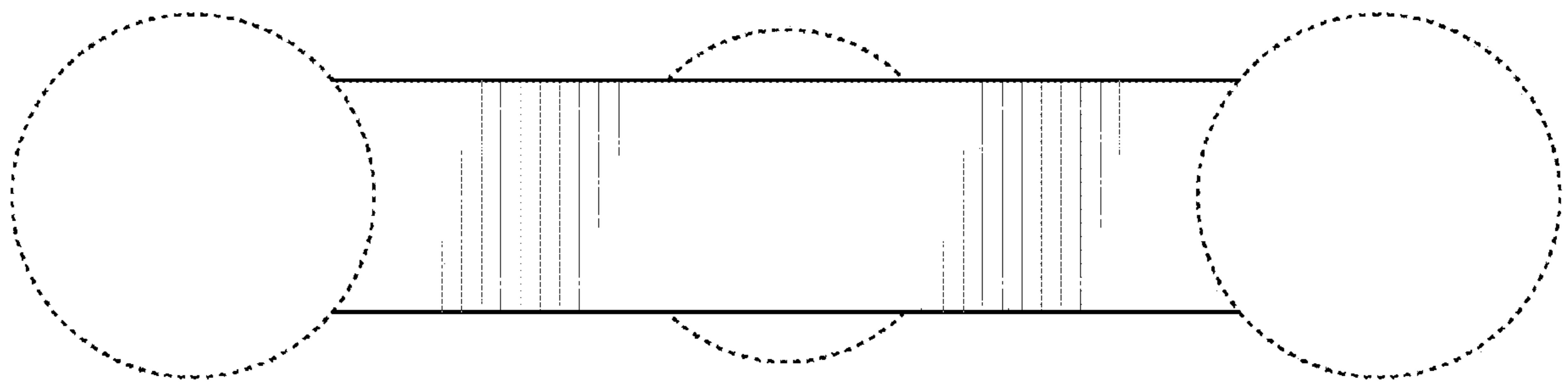


FIG. 7



**FIG. 8**

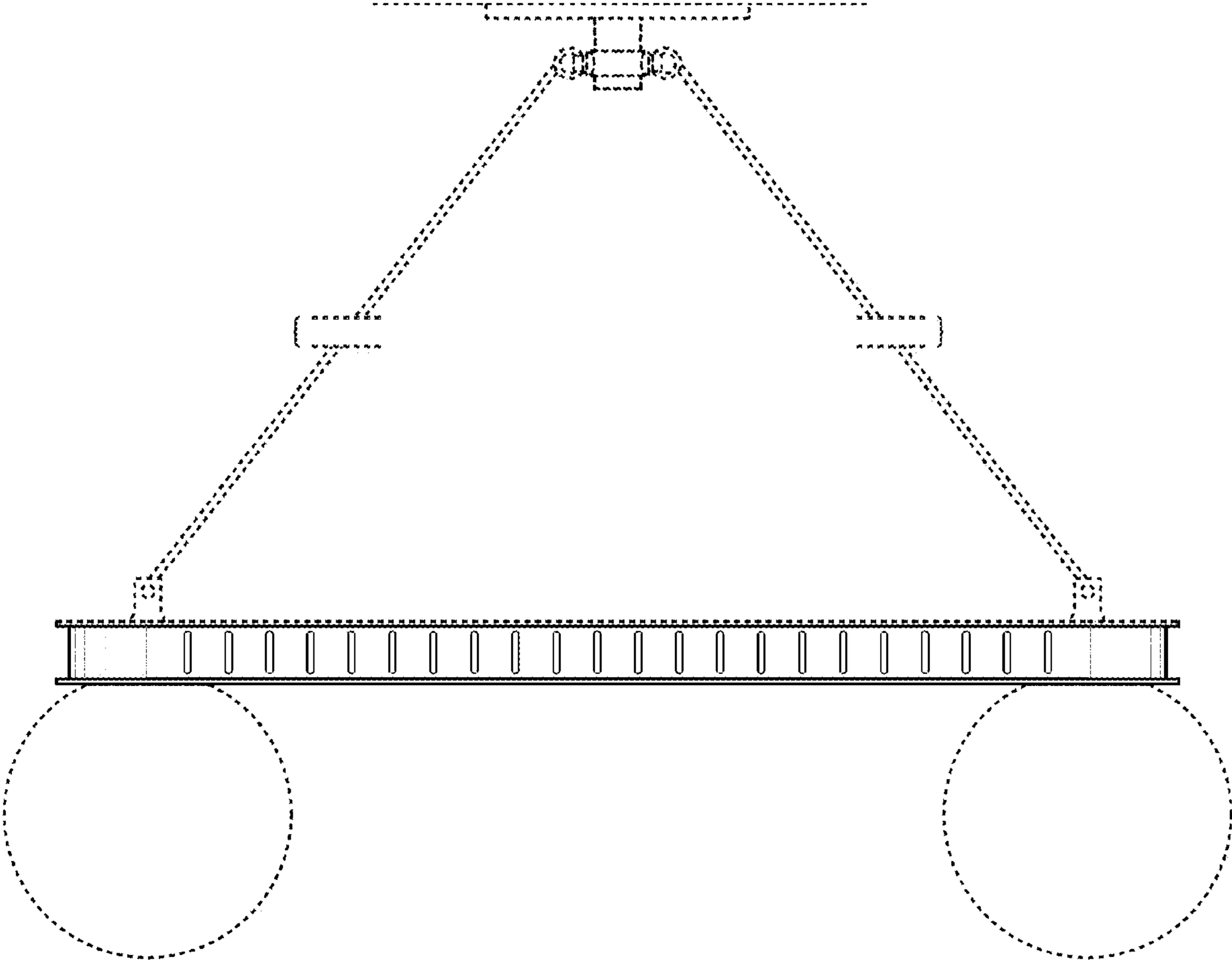


FIG. 9

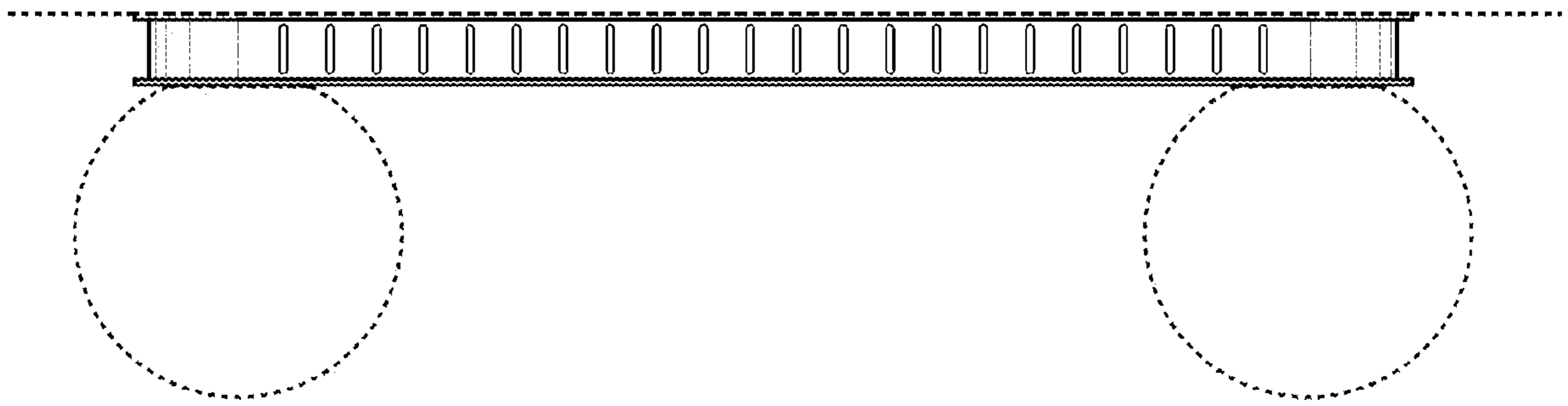


FIG.10