



US00D911579S

(12) **United States Design Patent**
Lou

(10) **Patent No.:** **US D911,579 S**
(45) **Date of Patent:** **** Feb. 23, 2021**

(54) **SUPPORT FOR MOBILE PHONE AND
TABLET PERSONAL COMPUTER**

D866,547 S * 11/2019 Godman D14/253
D879,791 S * 3/2020 Li D14/447
D881,892 S * 4/2020 Mecchella D14/434

(71) Applicant: **Ronghua Lou**, Yiwu (CN)

* cited by examiner

(72) Inventor: **Ronghua Lou**, Yiwu (CN)

Primary Examiner — Angela J Lee

(**) Term: **15 Years**

(57) **CLAIM**

(21) Appl. No.: **29/716,059**

The ornamental design for a support for mobile phone and tablet personal computer, as shown and described.

(22) Filed: **Dec. 6, 2019**

DESCRIPTION

(51) **LOC (13) Cl.** **26-05**

(52) **U.S. Cl.**
USPC **D26/74**

(58) **Field of Classification Search**
USPC D14/447, 432, 434, 439, 440, 451, 452,
D14/457, 239, 253; D8/363, 373, 380;
D6/406.3, 406.4, 406.5, 406.6; D12/415
CPC A47B 21/04; A47B 2097/006; A47B
2097/005; A47B 2023/049; A45C
2011/002; A45C 2011/003; F16M
2200/00; F16M 13/00
See application file for complete search history.

FIG. 1 is a perspective view of a support for mobile phone and tablet personal computer in accordance with a first embodiment showing my new design;
FIG. 2 is a front elevational view thereof;
FIG. 3 is a rear elevational view thereof;
FIG. 4 is a left side elevational view thereof;
FIG. 5 is a right side elevational view thereof;
FIG. 6 is a top plan view thereof;
FIG. 7 is a bottom plan view thereof;
FIG. 8 is a perspective view of the support for mobile phone and tablet personal computer in accordance with a second embodiment;
FIG. 9 is a front elevational view thereof;
FIG. 10 is a rear elevational view thereof;
FIG. 11 is a left side elevational view thereof;
FIG. 12 is a right side elevational view thereof;
FIG. 13 is a top plan view thereof; and,
FIG. 14 is a bottom plan view thereof.

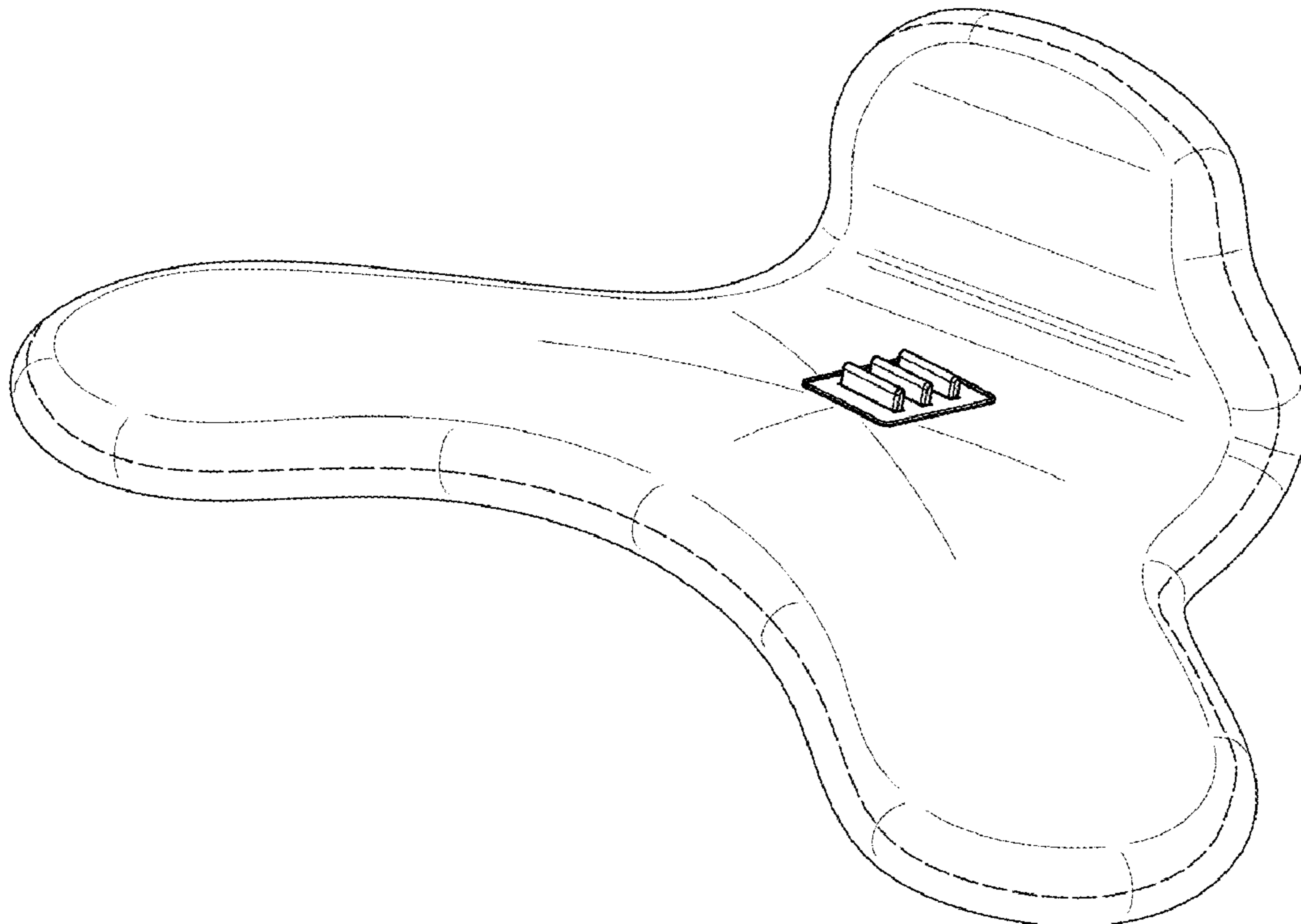
The broken lines shown in the drawings represent portions of the support for mobile phone and tablet personal computer that form no part of the claimed design.

(56) **References Cited**

U.S. PATENT DOCUMENTS

D413,110 S * 8/1999 Sweere D14/447
D510,358 S * 10/2005 Ezure D14/447
D643,845 S * 8/2011 Hong D14/447
D671,950 S * 12/2012 Richter D14/447
D840,408 S * 2/2019 Chen D14/447
D855,628 S * 8/2019 Elias D14/447

1 Claim, 14 Drawing Sheets



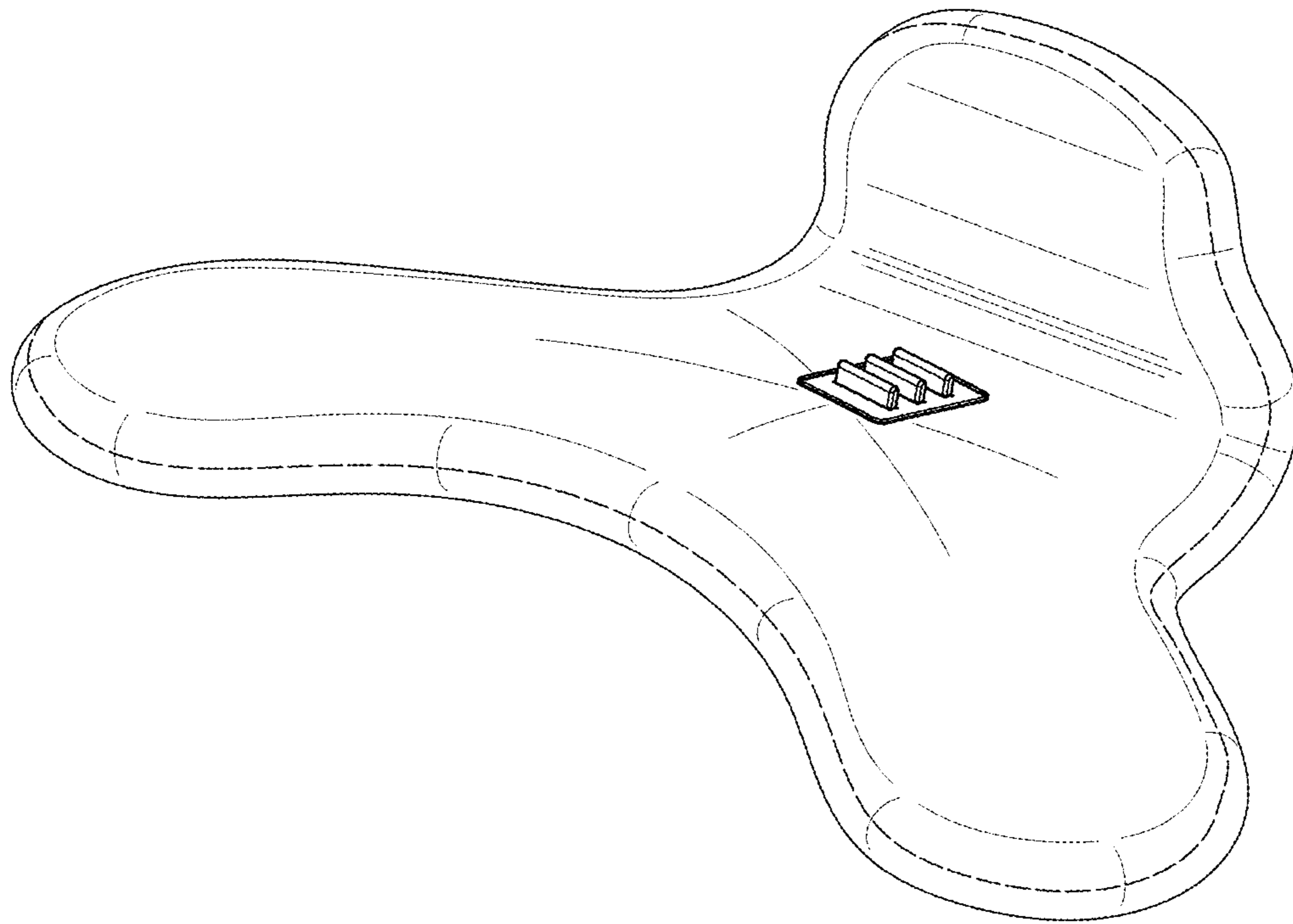


FIG. 1

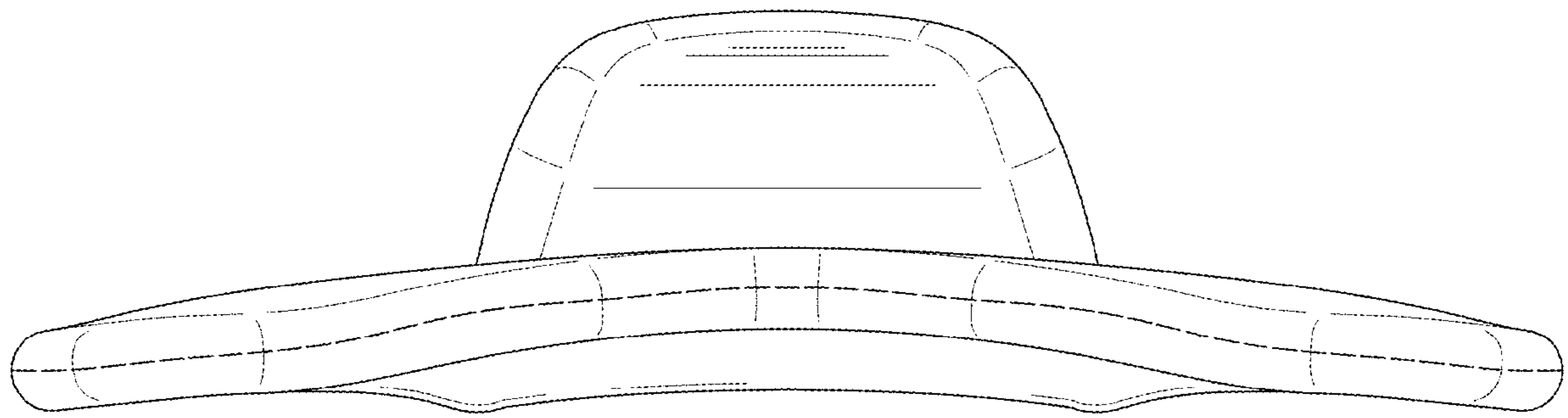


FIG. 2

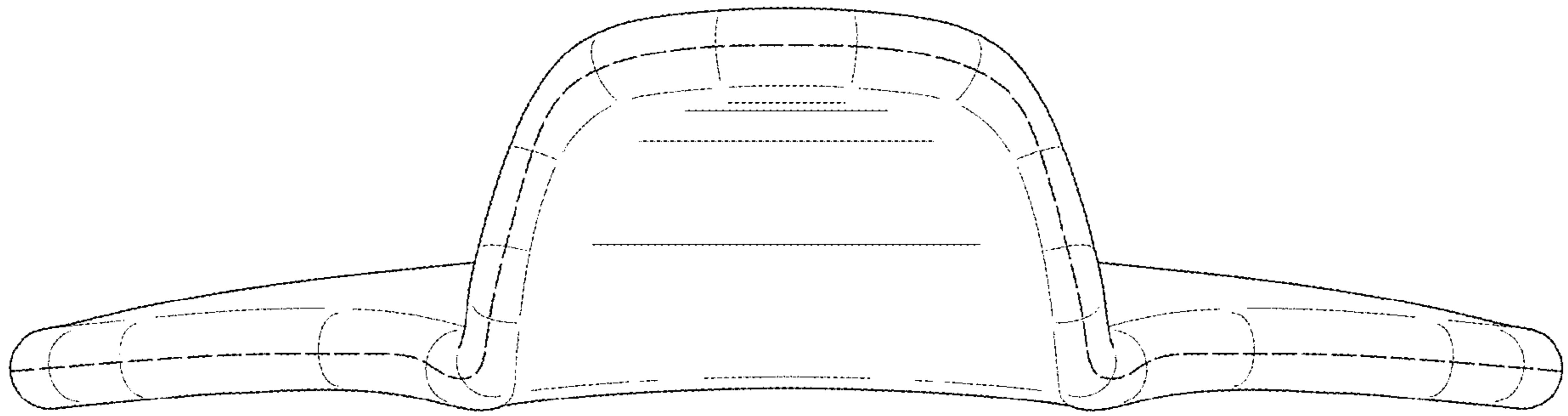


FIG. 3

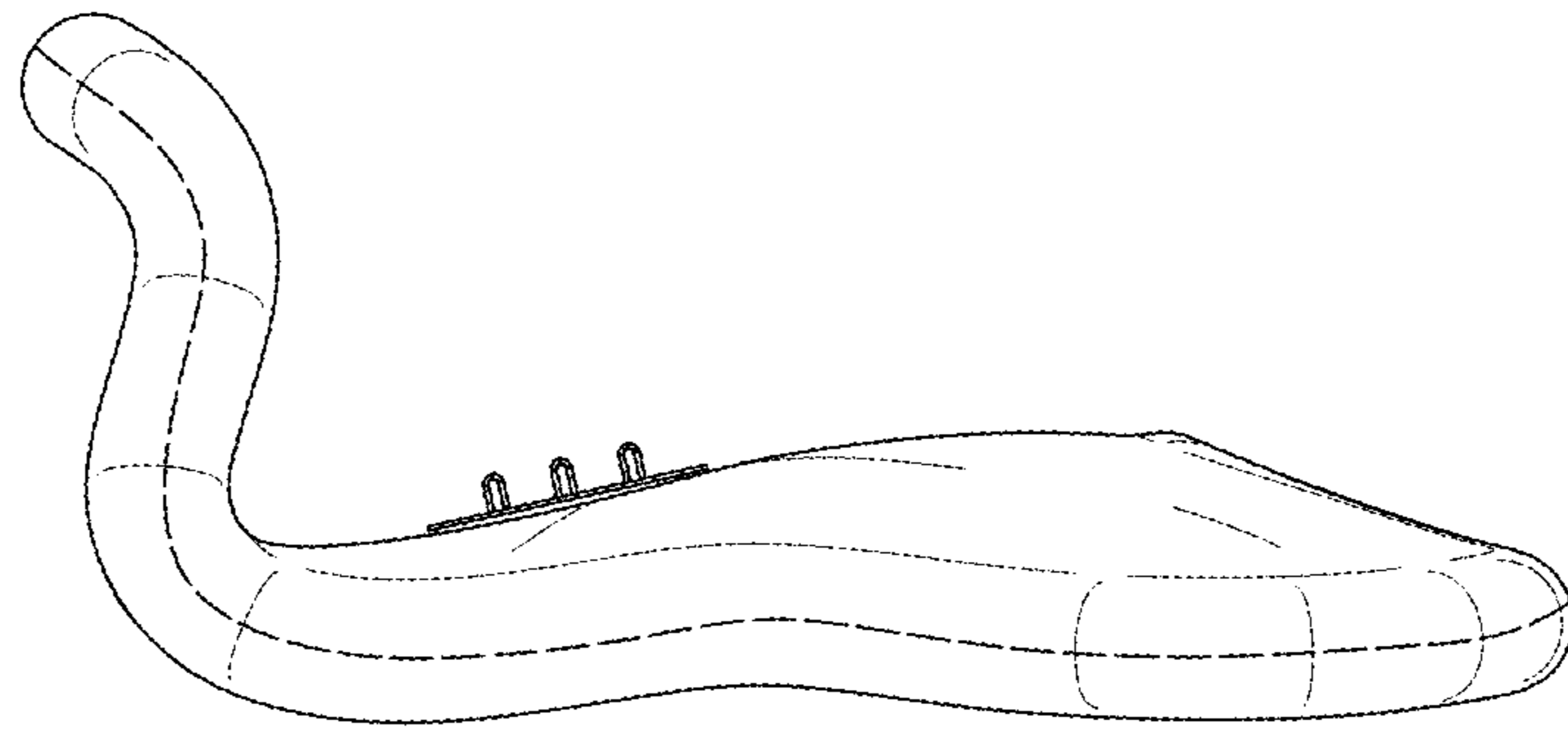


FIG. 4

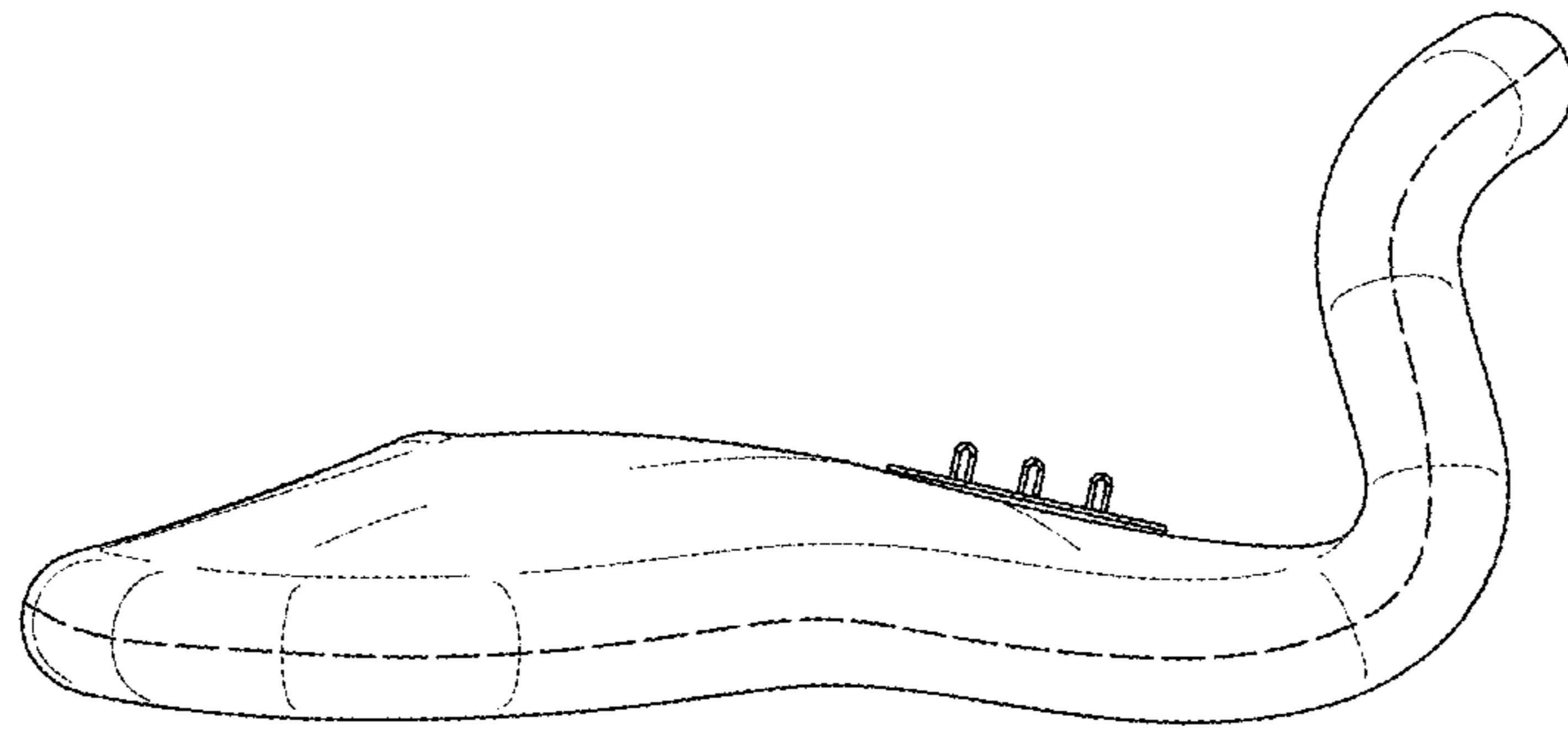


FIG. 5

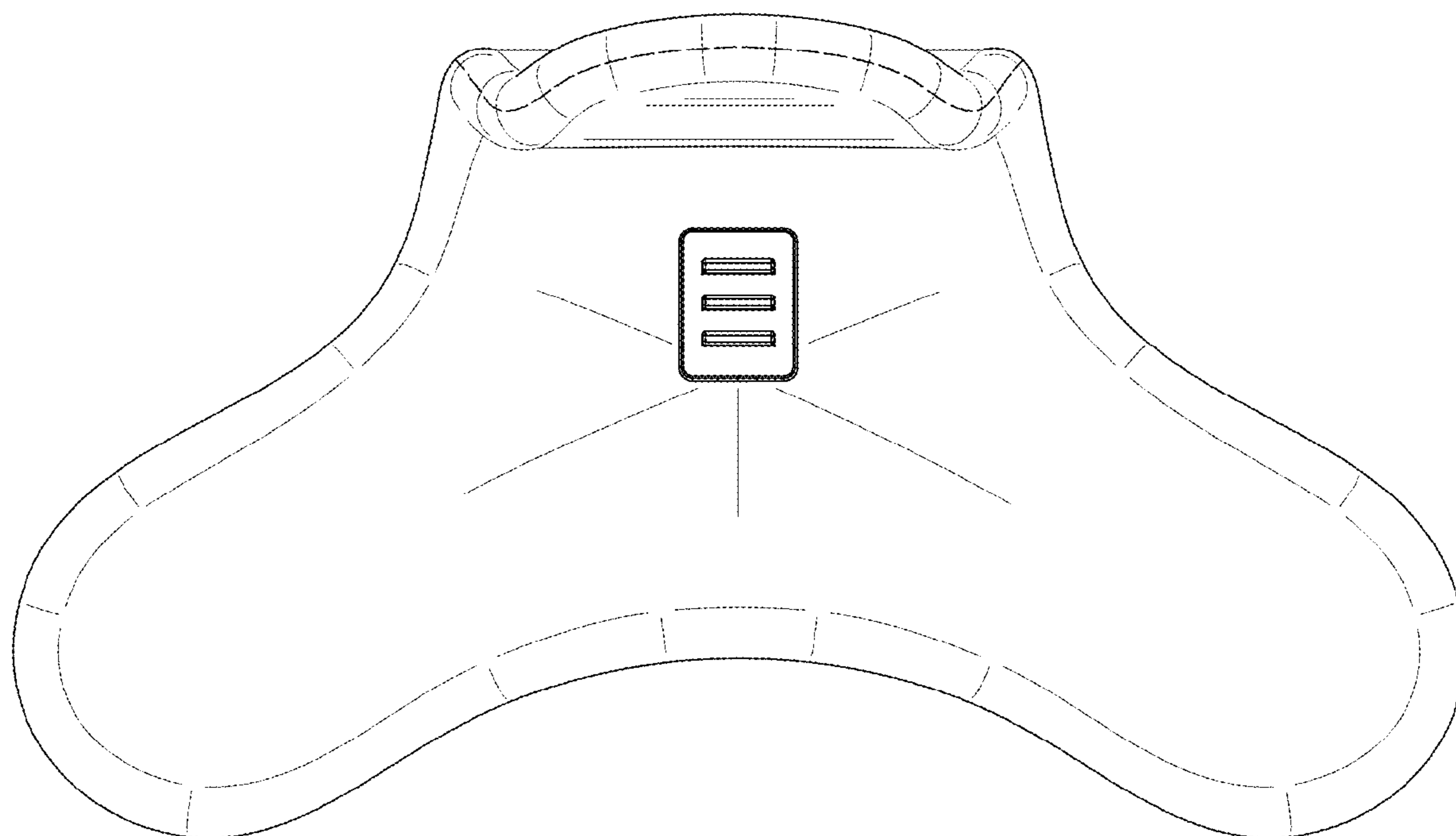


FIG. 6

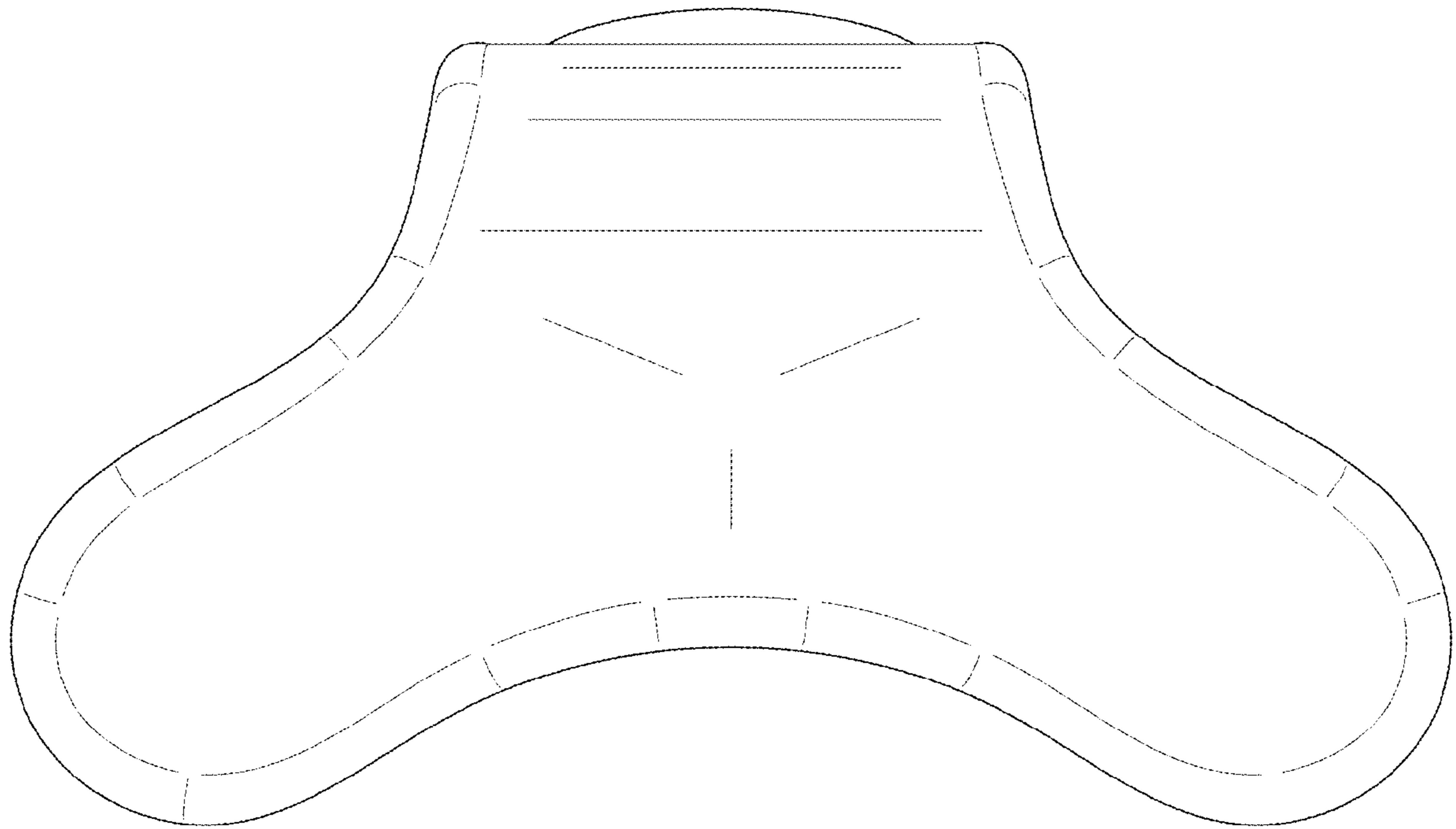


FIG. 7

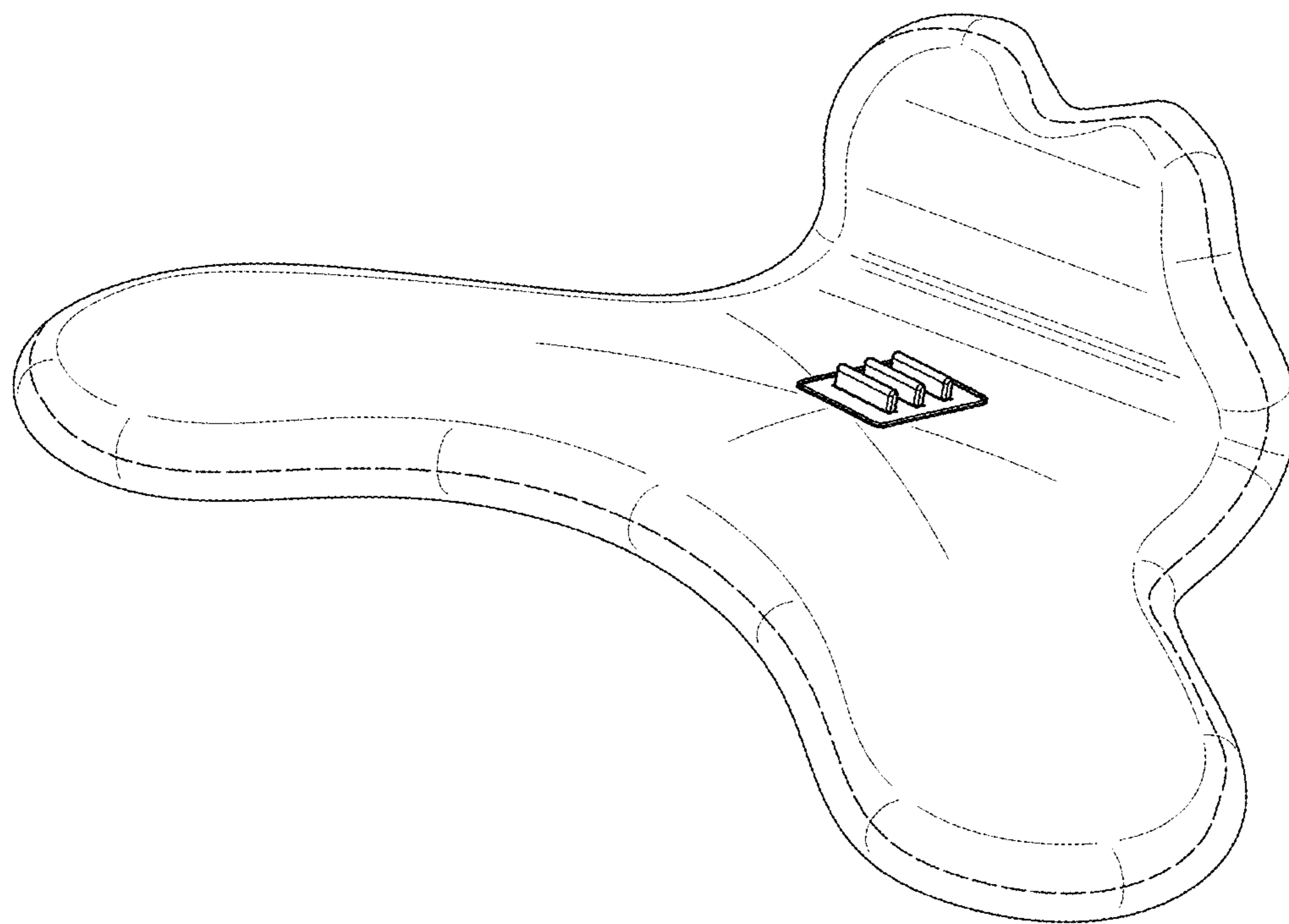


FIG. 8

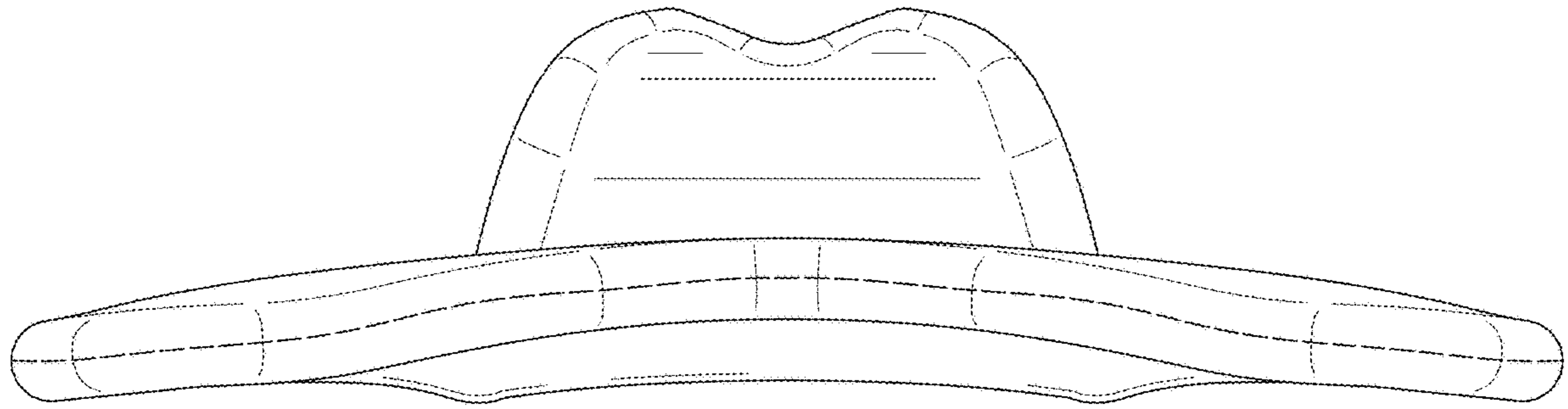


FIG. 9

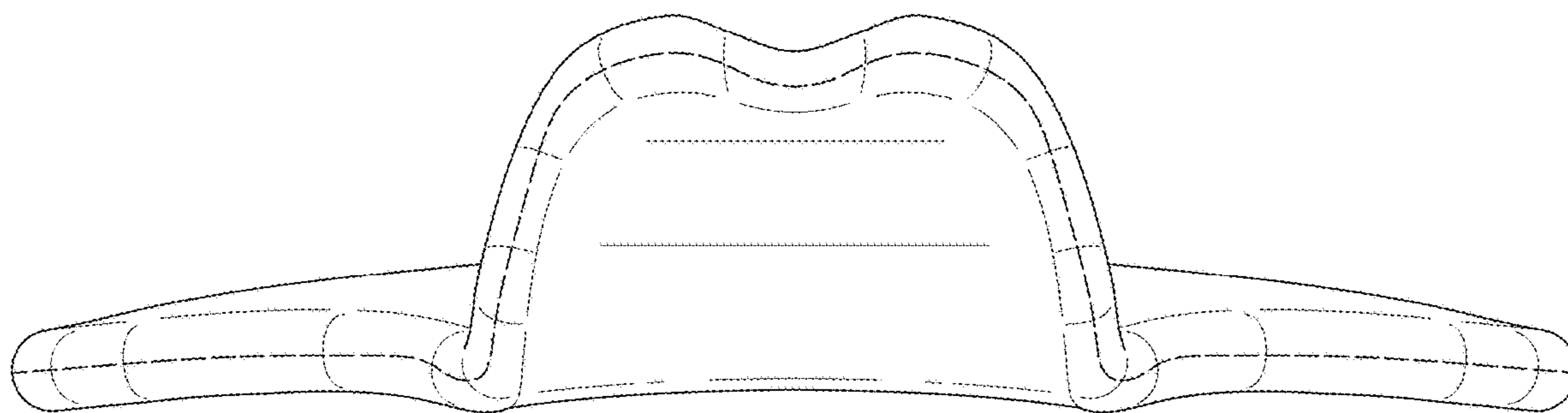


FIG. 10

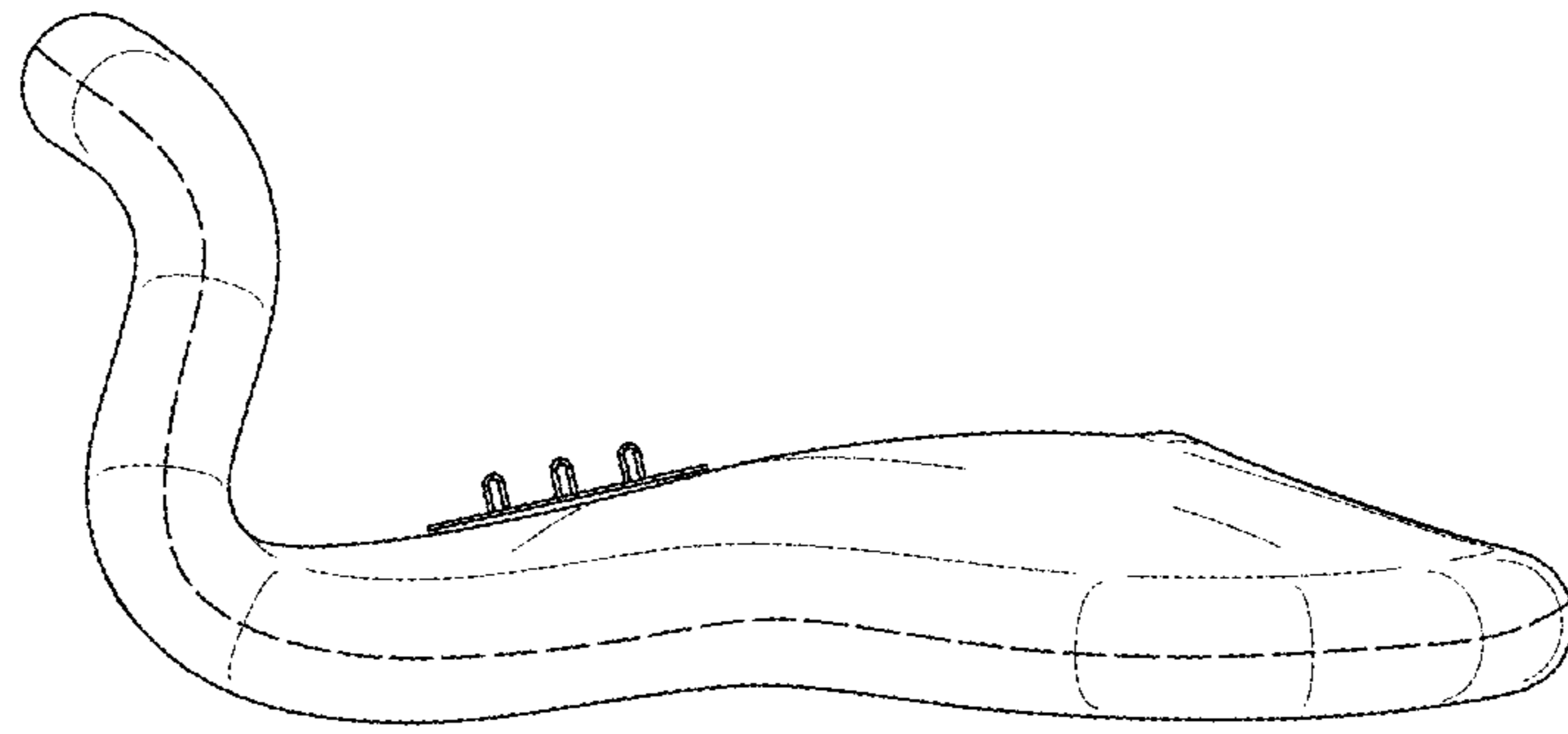


FIG. 11

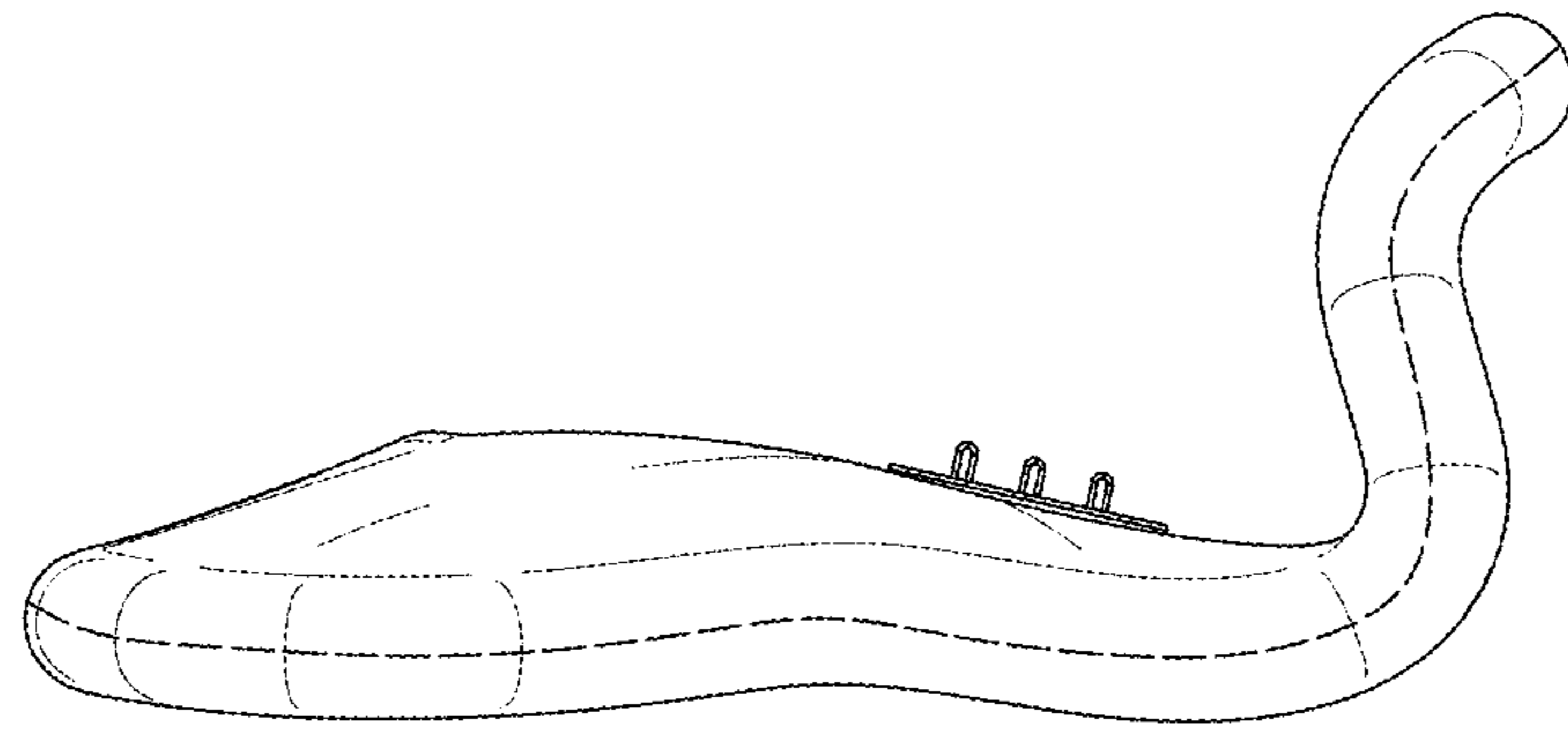


FIG. 12

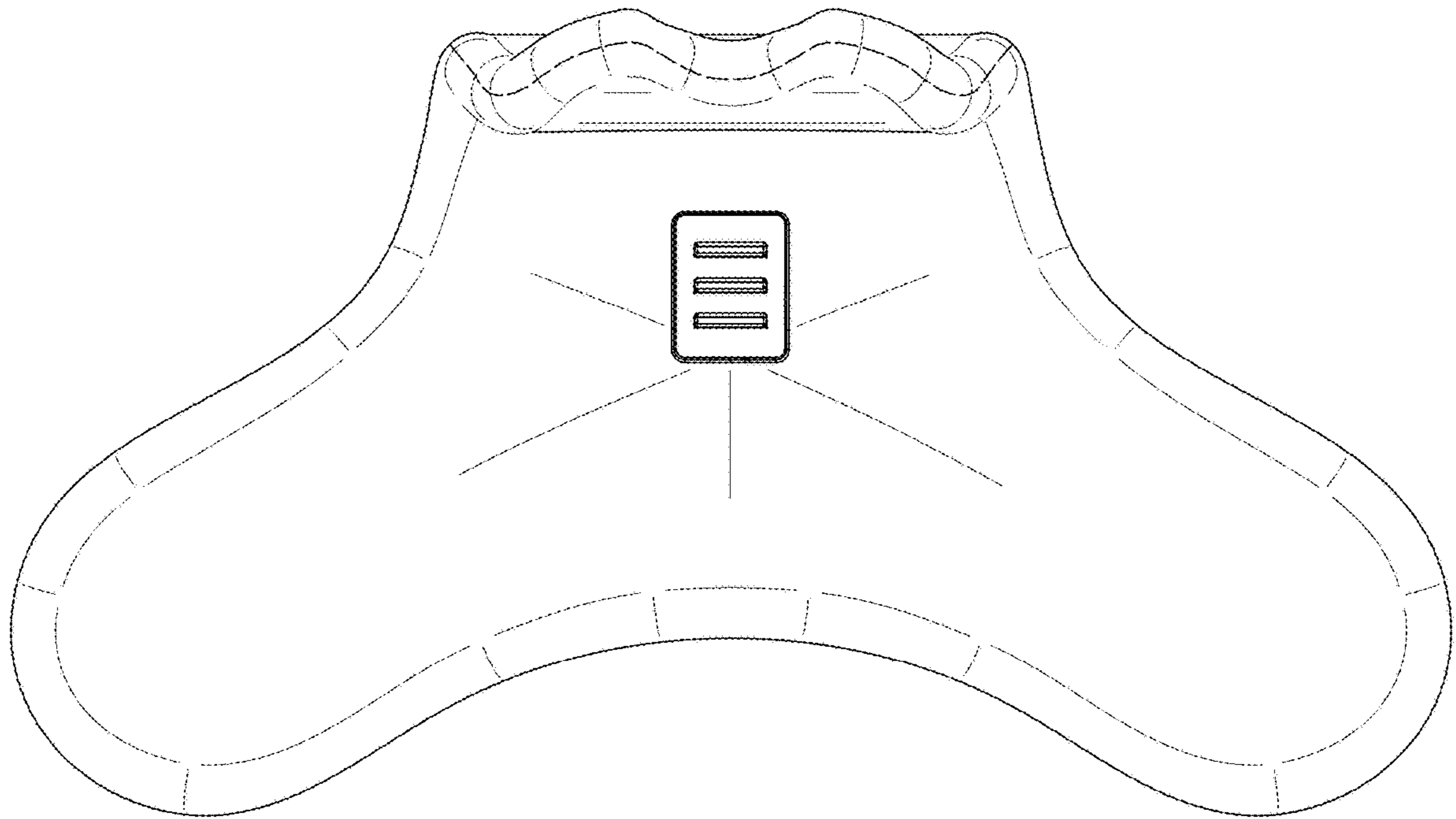


FIG. 13

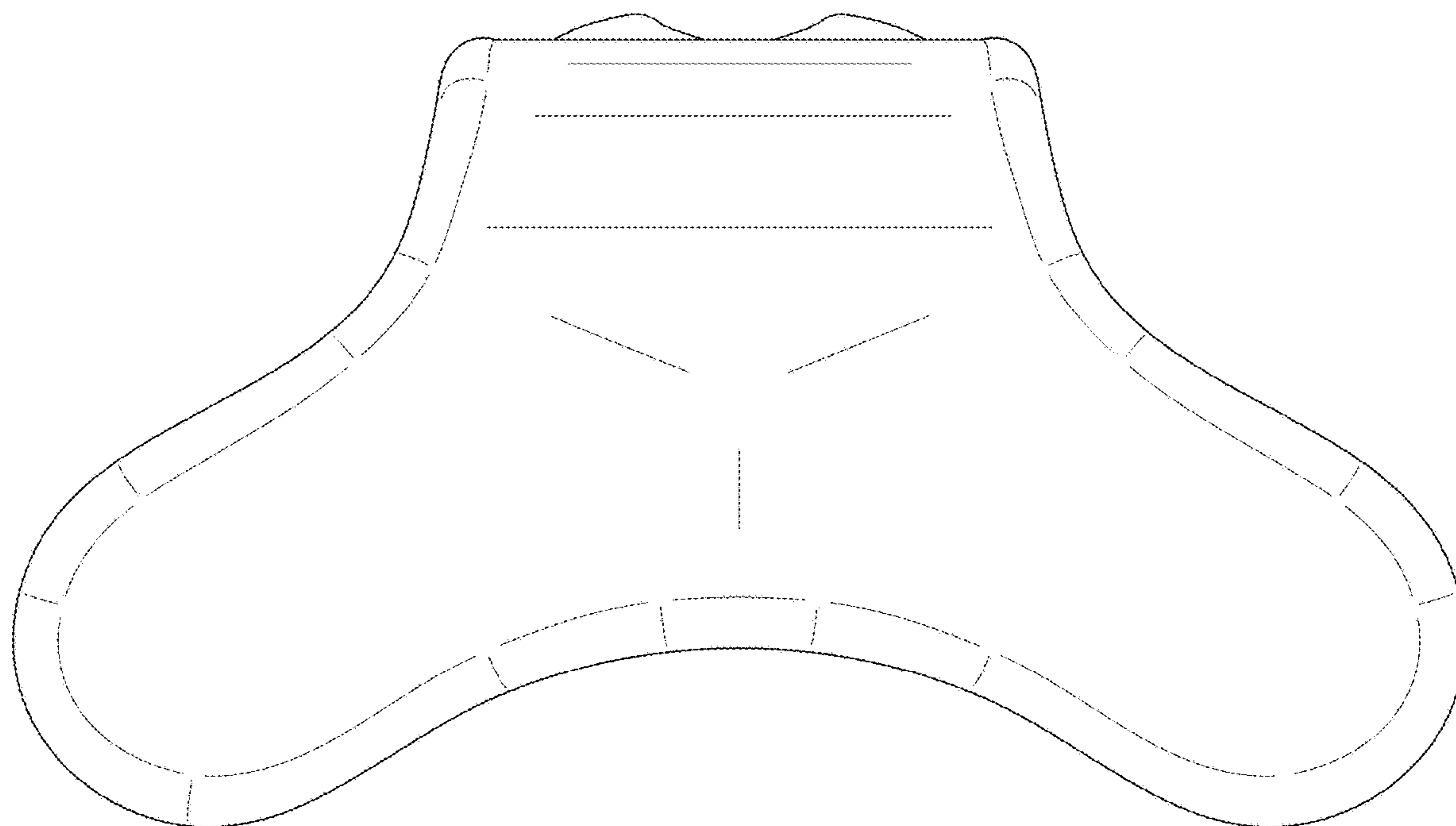


FIG. 14