



US00D911576S

(12) **United States Design Patent** (10) **Patent No.:** **US D911,576 S**  
**Trimarchi et al.** (45) **Date of Patent:** **\*\* \*Feb. 23, 2021**

(54) **CEILING LAMP** D799,732 S \* 10/2017 Sonneman ..... F21S 8/033  
D26/72  
(71) Applicant: **FLOS S.p.A.**, Bovezzo (IT) D884,222 S \* 5/2020 Feit ..... D26/3  
D884,223 S \* 5/2020 Feit ..... F21S 8/033  
(72) Inventors: **Andrea Trimarchi**, Bovezzo (IT);  
**Simone Farresin**, Bovezzo (IT) D26/3

(73) Assignee: **FLOS S.p.A.**, Bovezzo (IT)  
(\* ) Notice: This patent is subject to a terminal disclaimer.  
(\*\*) Term: **15 Years**  
(21) Appl. No.: **35/507,870**

(22) Filed: **Sep. 6, 2019**

(80) **Hague Agreement Data**

Int. Filing Date: **Sep. 6, 2019**  
Int. Reg. No.: **DM/204125**  
Int. Reg. Date: **Sep. 6, 2019**  
Int. Reg. Pub. Date: **Nov. 29, 2019**

(30) **Foreign Application Priority Data**

Apr. 1, 2019 (IT) ..... 402019000000603

(51) **LOC (13) Cl.** ..... **26-05**

(52) **U.S. Cl.**  
USPC ..... **D26/72**

(58) **Field of Classification Search**  
USPC ..... D26/3, 72, 75, 76, 78  
CPC .... F21S 8/04; F21S 8/043; F21S 8/046; F21S  
8/06; F21S 8/061; F21S 8/063; F21S  
8/065

See application file for complete search history.

(56) **References Cited**

**U.S. PATENT DOCUMENTS**

D30,147 S \* 2/1899 Williams ..... D26/72  
3,946,221 A \* 3/1976 Gandini ..... F21S 8/033  
362/235

**OTHER PUBLICATIONS**

Screenshot from: Elena Sommariva: Formafantasma: "We let the material dictate the final result". Dated May 9, 2019; one page. Found online Aug. 25, 2020 at: <https://www.domusweb.it/en/design/2019/05/09/formafantasma-we-let-the-material-dictate-the-final-result.html> (Year: 2019).\*

\* cited by examiner

*Primary Examiner* — Robert M. Spear  
(74) *Attorney, Agent, or Firm* — Thomas|Horstemeyer, LLP

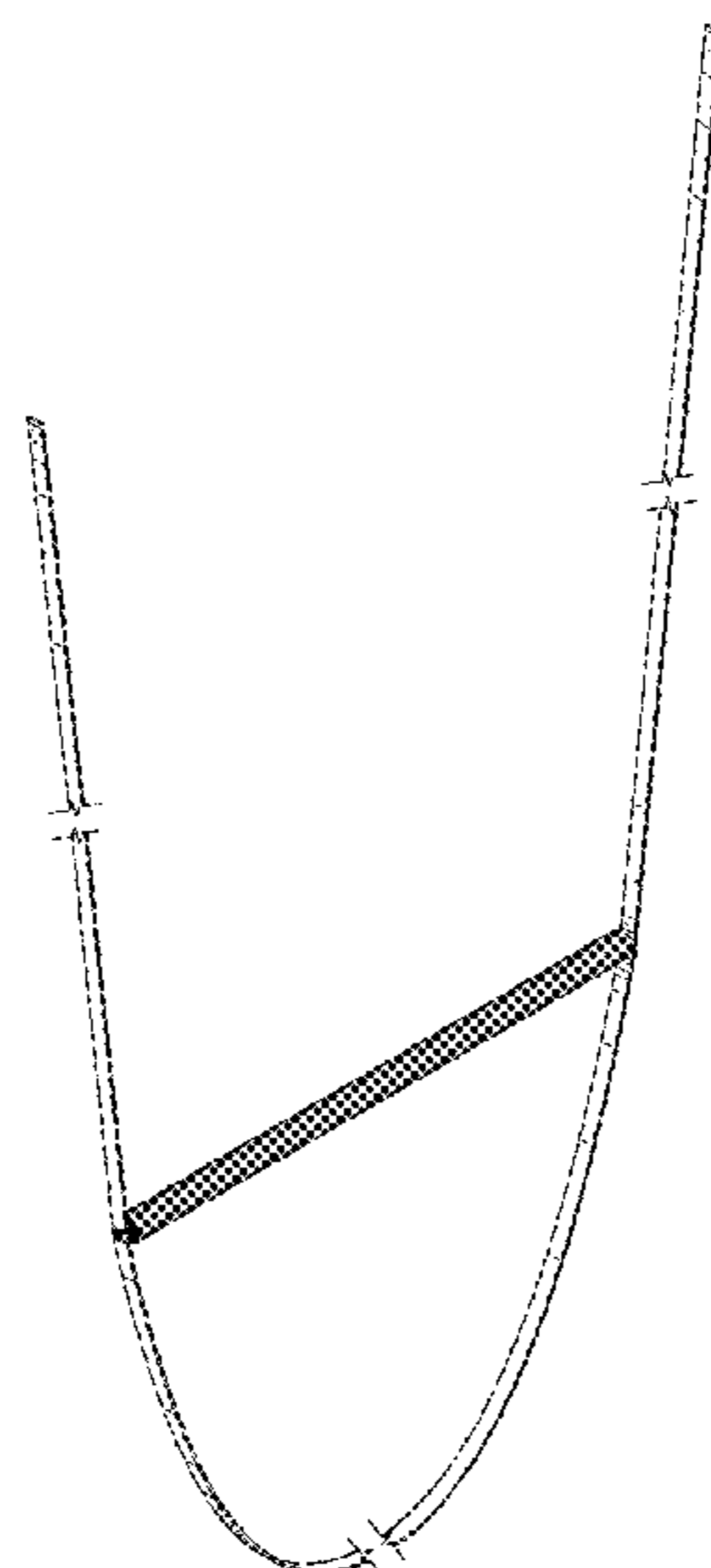
(57) **CLAIM**

The ornamental design for a ceiling lamp, as shown and described.

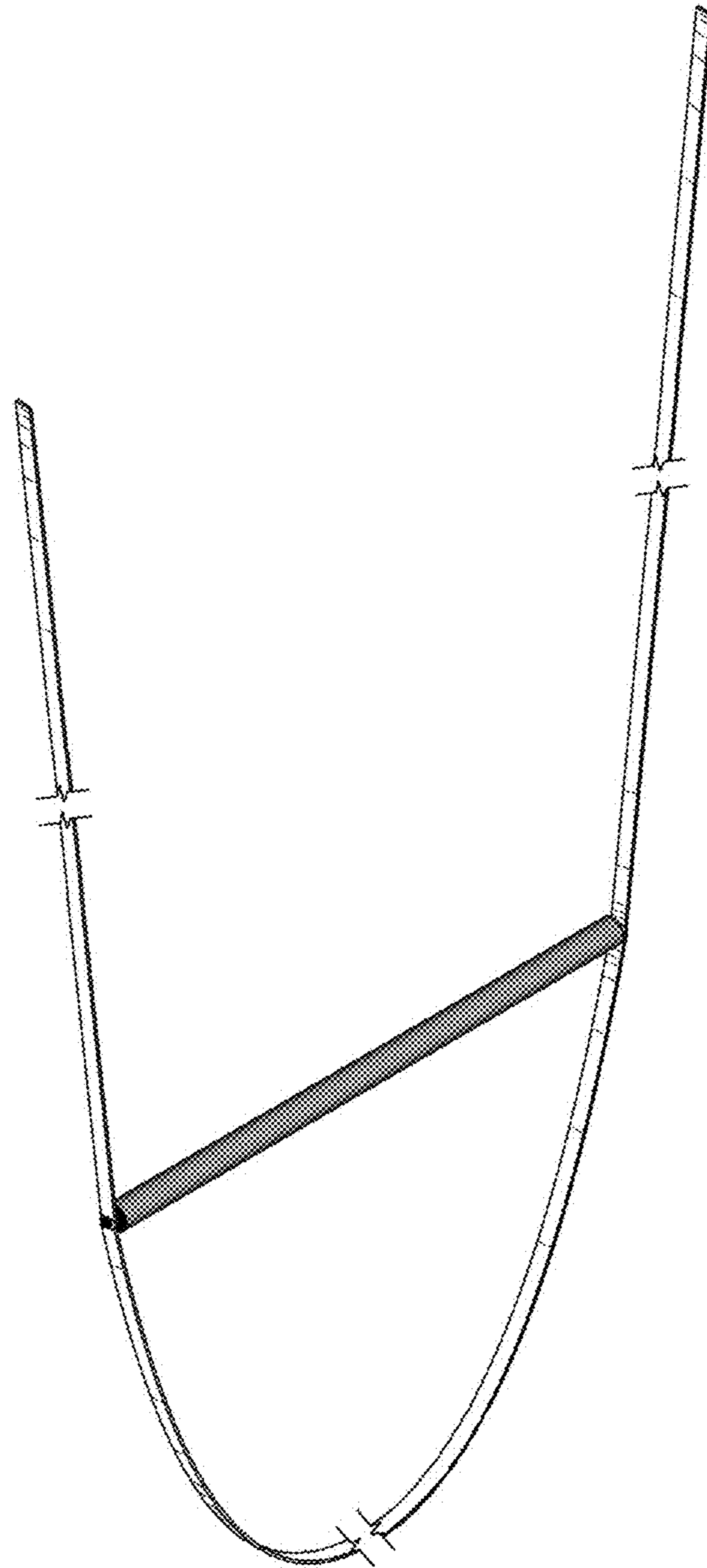
**DESCRIPTION**

Fig. 1.1 is a perspective view of a ceiling lamp, showing our new design;  
Fig. 1.2 is a front view thereof;  
Fig. 1.3 is a rear view thereof;  
Fig. 1.4 is a right view thereof;  
Fig. 1.5 is a left view thereof;  
Fig. 1.6 is a top view thereof; and  
Fig. 1.7 is a bottom view thereof.  
The lamp is shown with symbolic breaks in its length. The appearance of any portion of the article between the break lines forms no part of the claimed design.

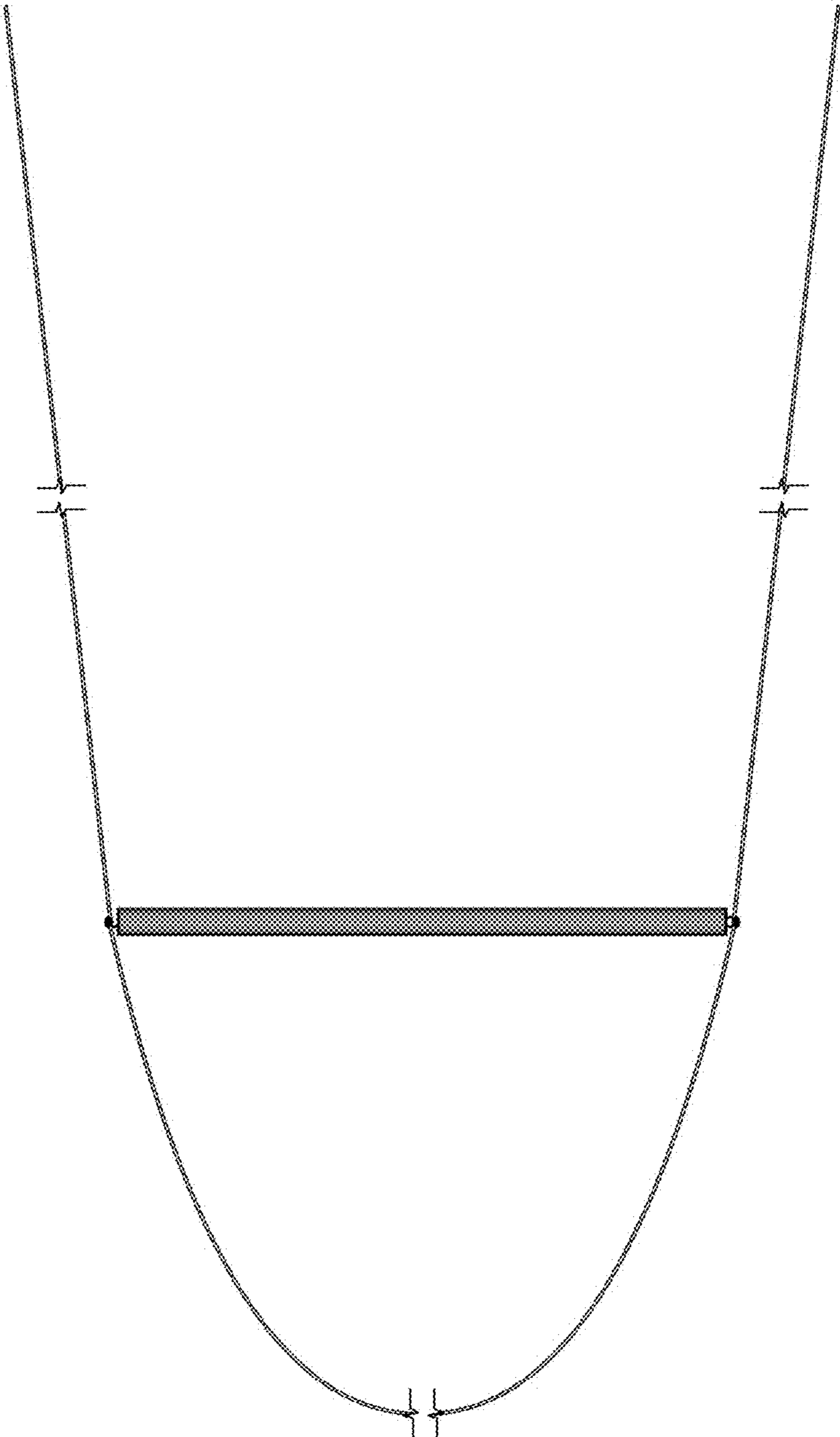
**1 Claim, 7 Drawing Sheets**



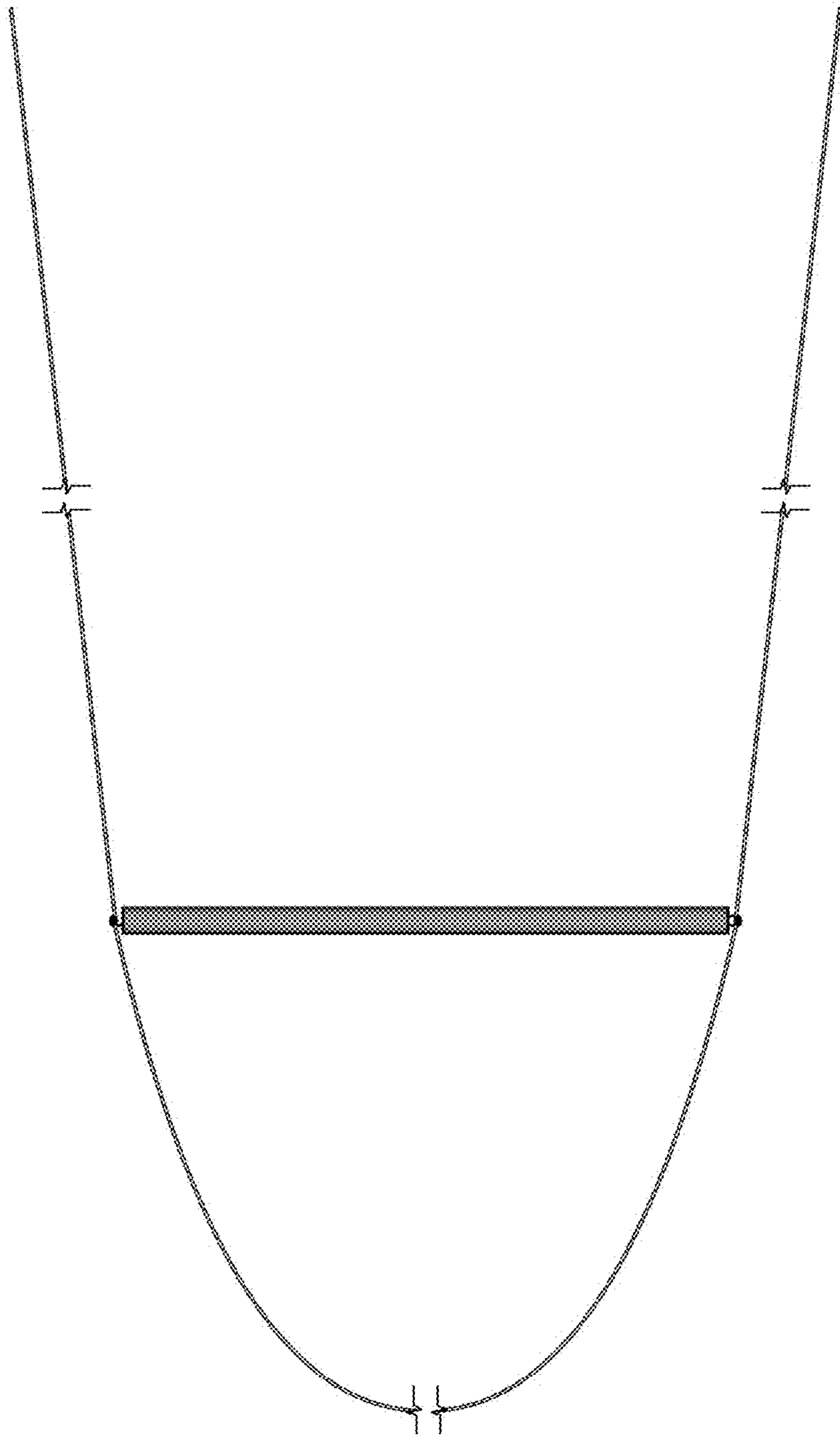
1.1



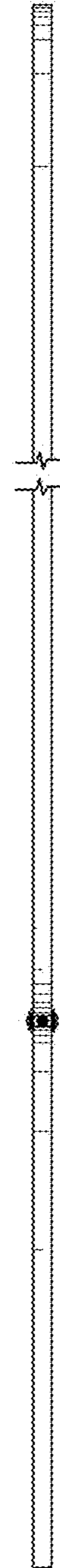
1.2



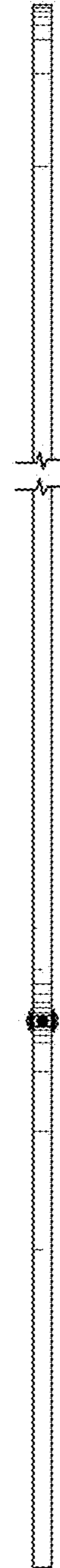
1.3



1.4



1.5



1.6



1.7

