



US00D911574S

(12) **United States Design Patent** (10) **Patent No.:** **US D911,574 S**  
**Hui et al.** (45) **Date of Patent:** **\*\* Feb. 23, 2021**

(54) **SOLAR LAMP** 7,661,838 B2 \* 2/2010 Chen ..... F21S 4/10  
362/183  
(71) Applicant: **SHENZHEN QIANHAI PATUOXUN** D638,971 S 5/2011 Chen  
**NETWORK AND TECHNOLOGY** D739,066 S \* 9/2015 Macura ..... D26/67  
**CO., LTD, Shenzhen (CN)** D739,589 S \* 9/2015 Macura ..... D26/67  
D834,515 S \* 11/2018 Zhang ..... D13/102  
D884,246 S 5/2020 Tang et al.  
(72) Inventors: **Li Hui, Shenzhen (CN); Haipeng** 2006/0044785 A1 \* 3/2006 Lee ..... F21S 9/037  
**Wang, Shenzhen (CN)** 362/96  
2006/0187656 A1 \* 8/2006 Kuelbs ..... F21V 21/0824  
362/183  
(73) Assignee: **SHENZHEN QIANHAI PATUOXUN**  
**NETWORK AND TECHNOLOGY**  
**CO., LTD, Shenzhen (CN)**

(\*\*) Term: **15 Years**

(21) Appl. No.: **29/745,445**

(22) Filed: **Aug. 6, 2020**

(51) **LOC (13) Cl.** ..... **26-05**

(52) **U.S. Cl.**  
USPC ..... **D26/68**

(58) **Field of Classification Search**  
USPC ..... D26/67-72, 85  
CPC .. F21S 8/022; F21S 8/032; F21S 8/036; F21S  
8/081; F21S 8/083; F21S 8/088; F21S  
9/037; F21V 21/0824; F21W 2111/02;  
F21W 2111/023; F21W 2131/109  
See application file for complete search history.

(56) **References Cited**

U.S. PATENT DOCUMENTS

D226,129 S \* 1/1973 Donato ..... D26/68  
D338,080 S \* 8/1993 Elazari ..... D26/68  
D471,307 S \* 3/2003 Yung ..... D26/67  
D517,717 S \* 3/2006 Sanoner ..... D26/68  
7,041,899 B2 \* 5/2006 Stekelenburg ..... H01R 25/00  
174/50  
D555,278 S \* 11/2007 Sanoner ..... D26/68

OTHER PUBLICATIONS

Signature Garden 6 Pack Solar Garden Lights available at amazon.com as early as Aug. 22, 2017. (Year: 2017).\*  
LITOM Solar Pathway Lights available at amazon.com Aug. 16, 2020. (Year: 2020).\*

\* cited by examiner

Primary Examiner — Clare E Hefflin

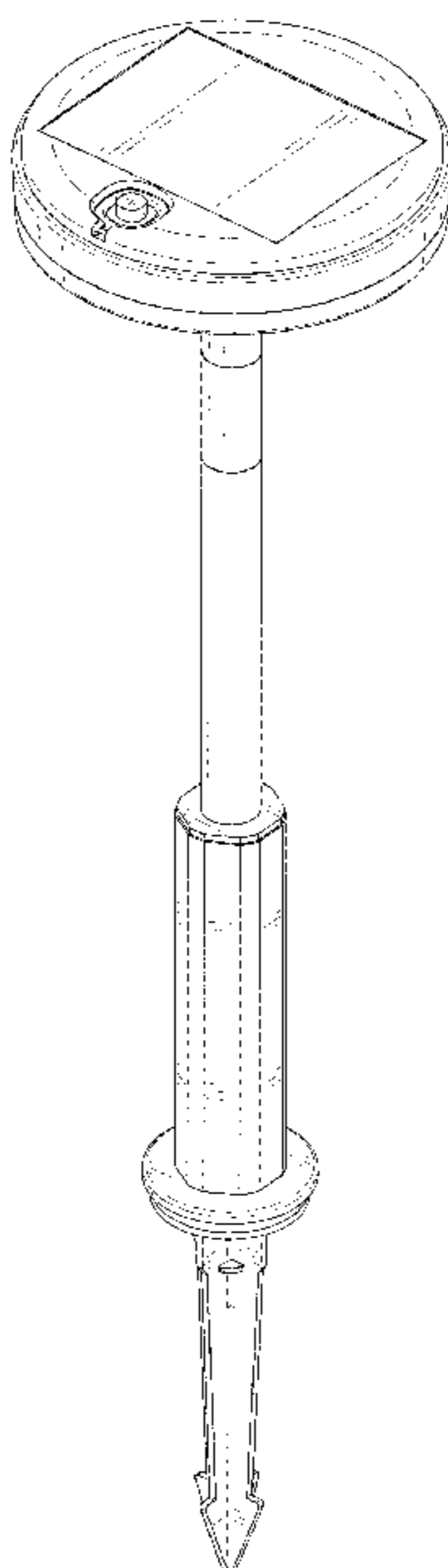
(57) **CLAIM**

The ornamental design for a solar lamp, as shown and described.

**DESCRIPTION**

FIG. 1 is a perspective view of a solar lamp showing my new design;  
FIG. 2 is another perspective view thereof;  
FIG. 3 is a front elevational view thereof;  
FIG. 4 is a rear elevational view thereof;  
FIG. 5 is a left side elevational view thereof;  
FIG. 6 is a right side elevational view thereof;  
FIG. 7 is a top plan view thereof; and,  
FIG. 8 is a bottom plan view thereof.  
The broken lines in the drawings depict portions of the solar lamp that form no part of the claimed design.

**1 Claim, 8 Drawing Sheets**



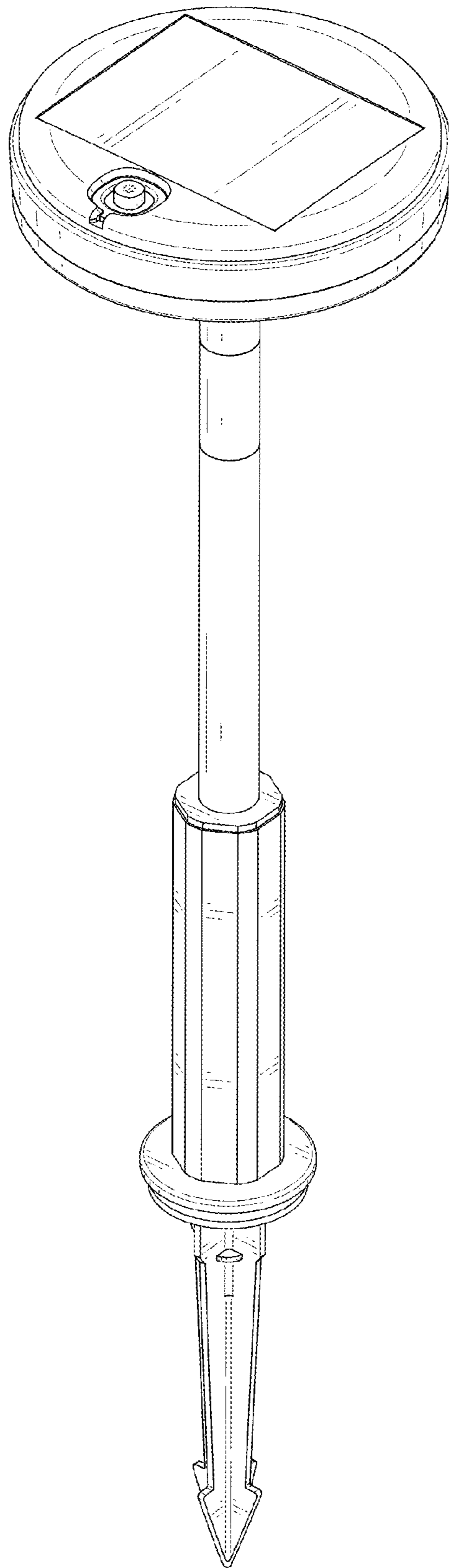


FIG. 1

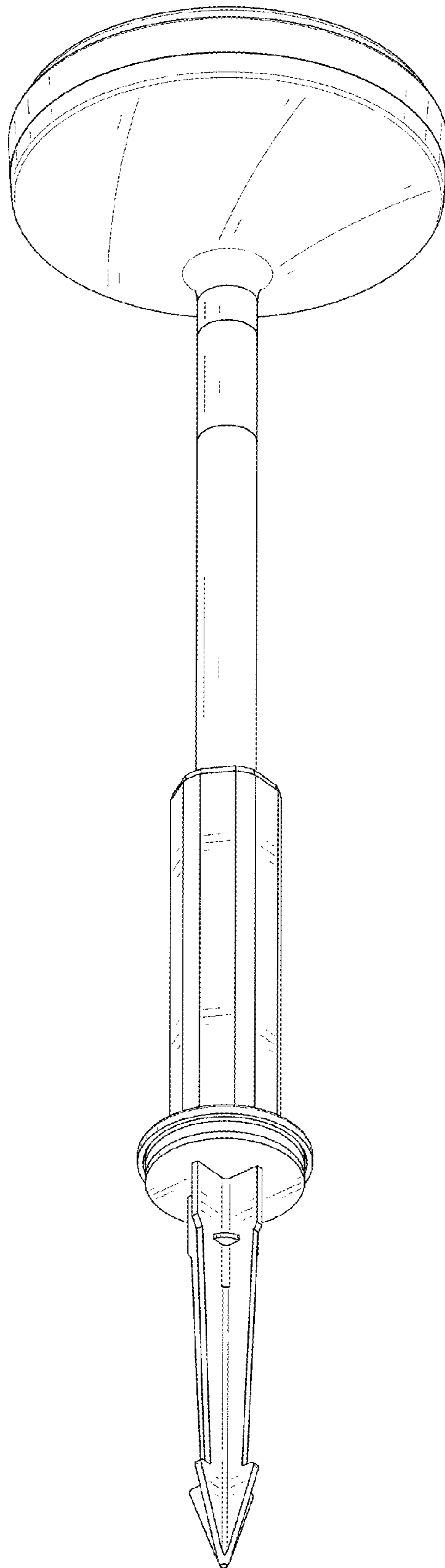


FIG. 2

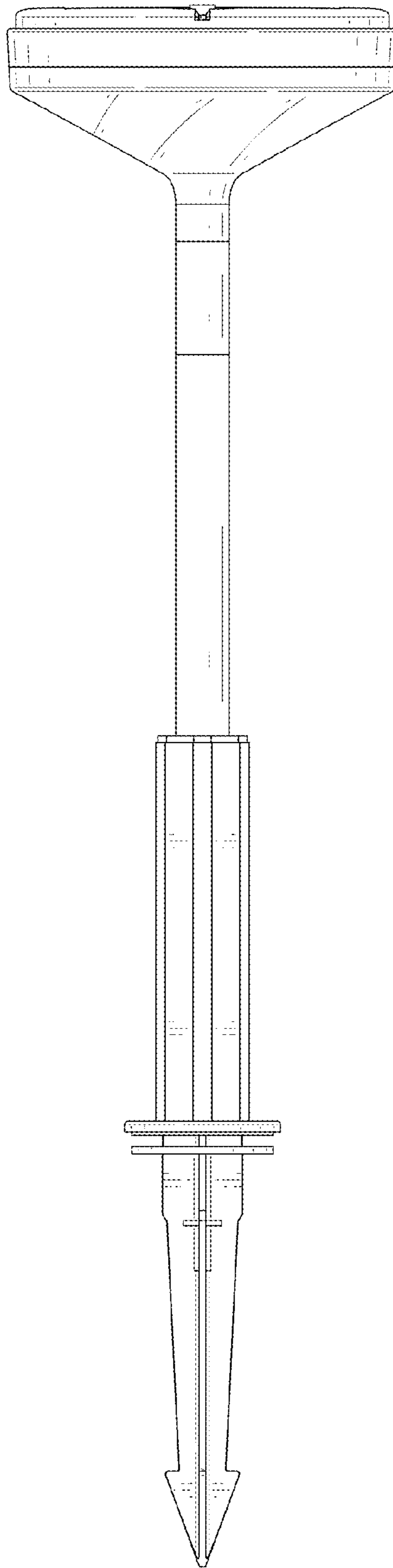


FIG. 3

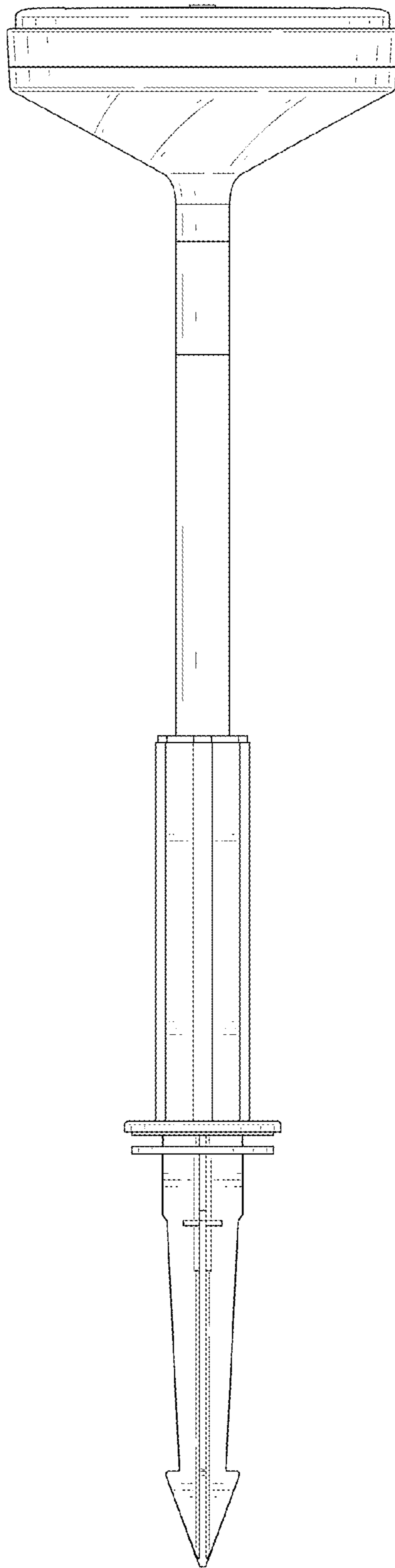


FIG. 4

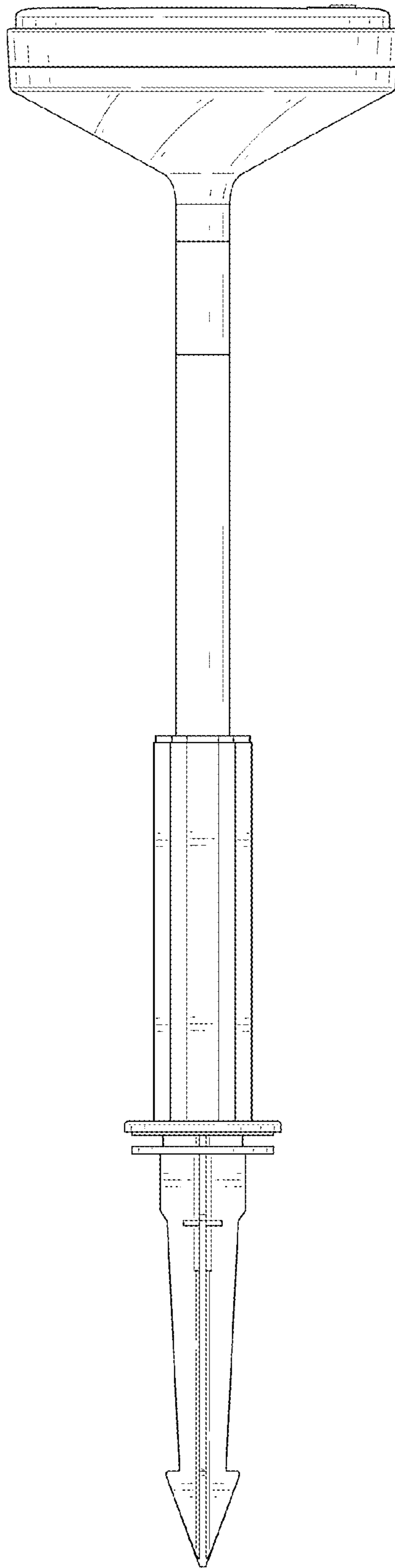


FIG. 5

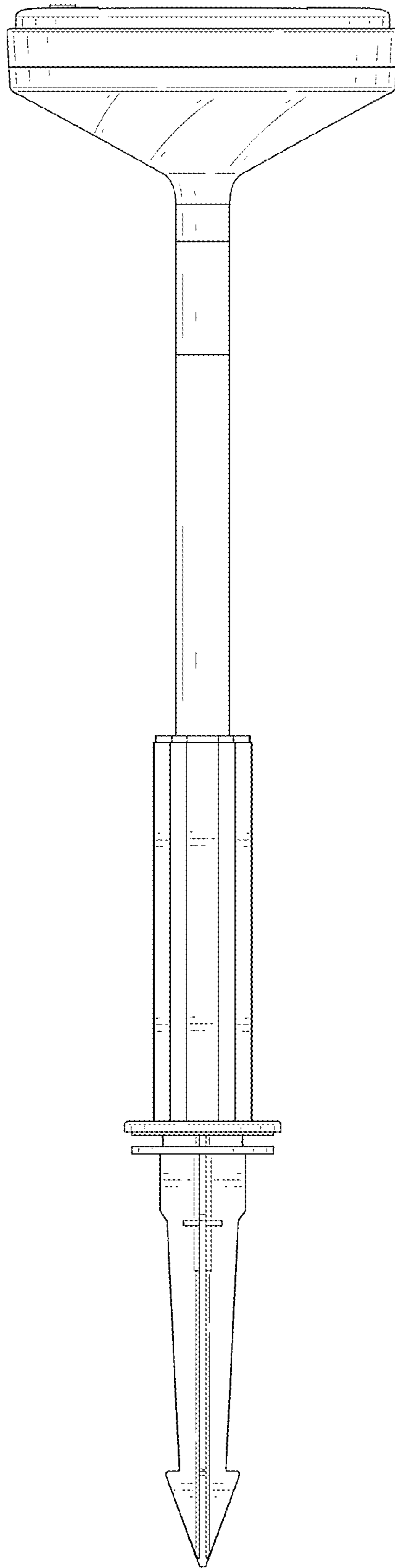


FIG. 6

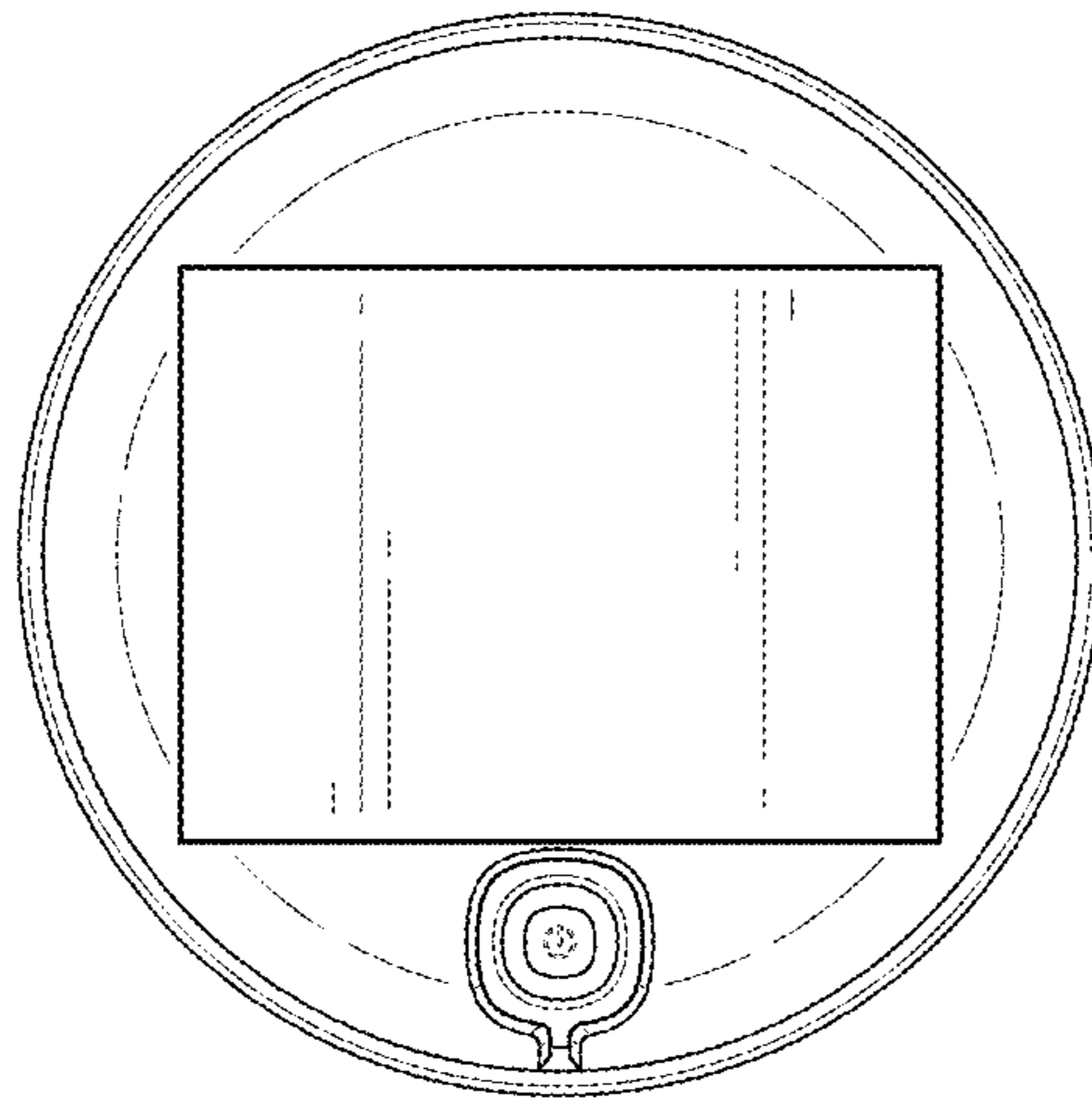


FIG. 7



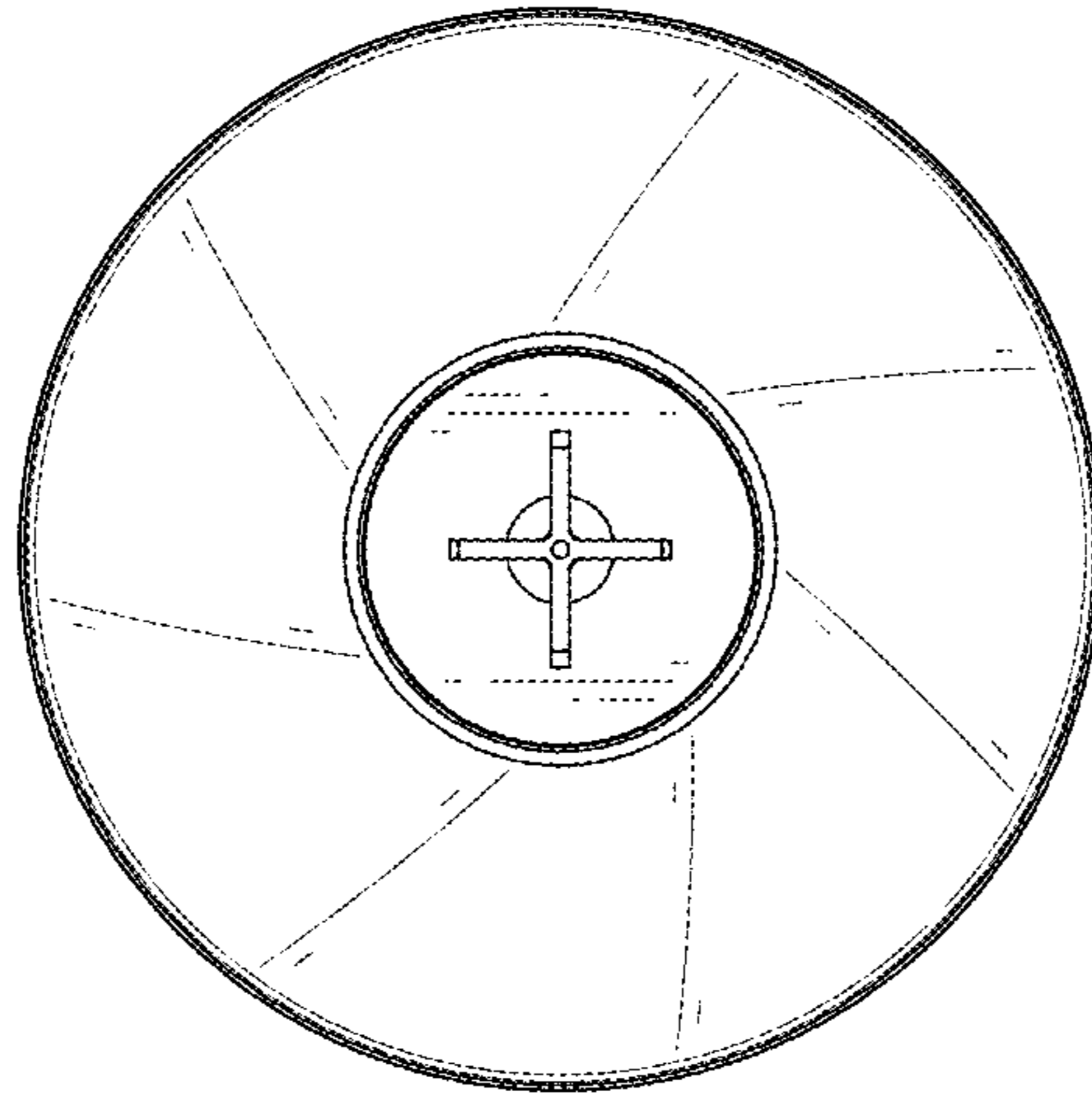


FIG. 8