



US00D911572S

(12) **United States Design Patent**
Liu

(10) **Patent No.:** **US D911,572 S**

(45) **Date of Patent:** **** Feb. 23, 2021**

(54) **SOLAR INDUCTION LAMP**

(71) Applicant: **Heyan Liu**, Dazhou (CN)

(72) Inventor: **Heyan Liu**, Dazhou (CN)

(**) Term: **15 Years**

(21) Appl. No.: **29/744,548**

(22) Filed: **Jul. 29, 2020**

(51) **LOC (13) Cl.** **26-03**

(52) **U.S. Cl.**
USPC **D26/63**

(58) **Field of Classification Search**
CPC .. F21S 8/00; F21V 21/00; F21V 17/02; F21V
14/02; F21V 21/30; F21V 21/14; F21W
2131/10
See application file for complete search history.

(56) **References Cited**

U.S. PATENT DOCUMENTS

D392,065 S	*	3/1998	Morrow	D10/106.1
D660,505 S		5/2012	Smith et al.		
D761,474 S	*	7/2016	Chen	D26/65
D764,694 S		8/2016	Tsai		
D769,498 S	*	10/2016	Liang	D26/61
D769,499 S	*	10/2016	Gough	D26/65
D781,481 S	*	3/2017	Chen	D26/65

D788,967 S	*	6/2017	Chen	D26/65
D816,259 S		4/2018	Liu		
D836,816 S		12/2018	Liu		
D841,218 S		2/2019	Liu		
D866,036 S	*	11/2019	Tan	D26/63
D869,038 S	*	12/2019	Recker	D26/63
D875,984 S	*	2/2020	Xiao	D26/63

* cited by examiner

Primary Examiner — Brian N. Vinson

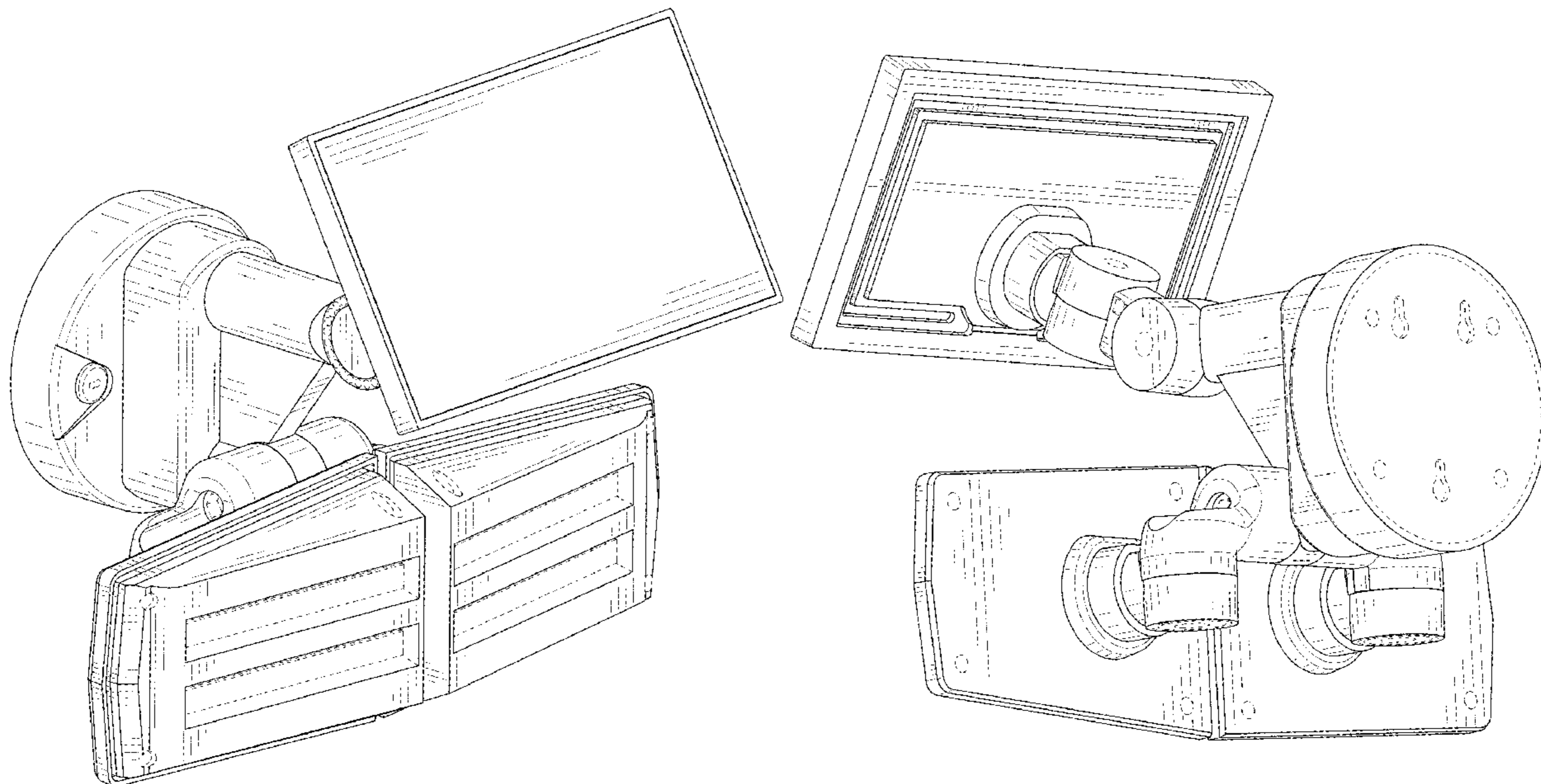
(57) **CLAIM**

The ornamental design for a solar induction lamp, as shown and described.

DESCRIPTION

FIG. 1 is a front perspective view of a solar induction lamp showing my new design;
FIG. 2 is a rear perspective view thereof;
FIG. 3 is a front elevational view thereof;
FIG. 4 is a rear elevational view thereof;
FIG. 5 is a left side elevational view thereof;
FIG. 6 is a right side elevational view thereof;
FIG. 7 is a top plan view thereof;
FIG. 8 is a bottom plan view thereof; and,
FIG. 9 is a perspective view of the solar induction lamp in used with an unclaimed glass cover.
The broken lines in the drawings depict portions of the solar induction lamp that form no part of the claimed design.

1 Claim, 9 Drawing Sheets



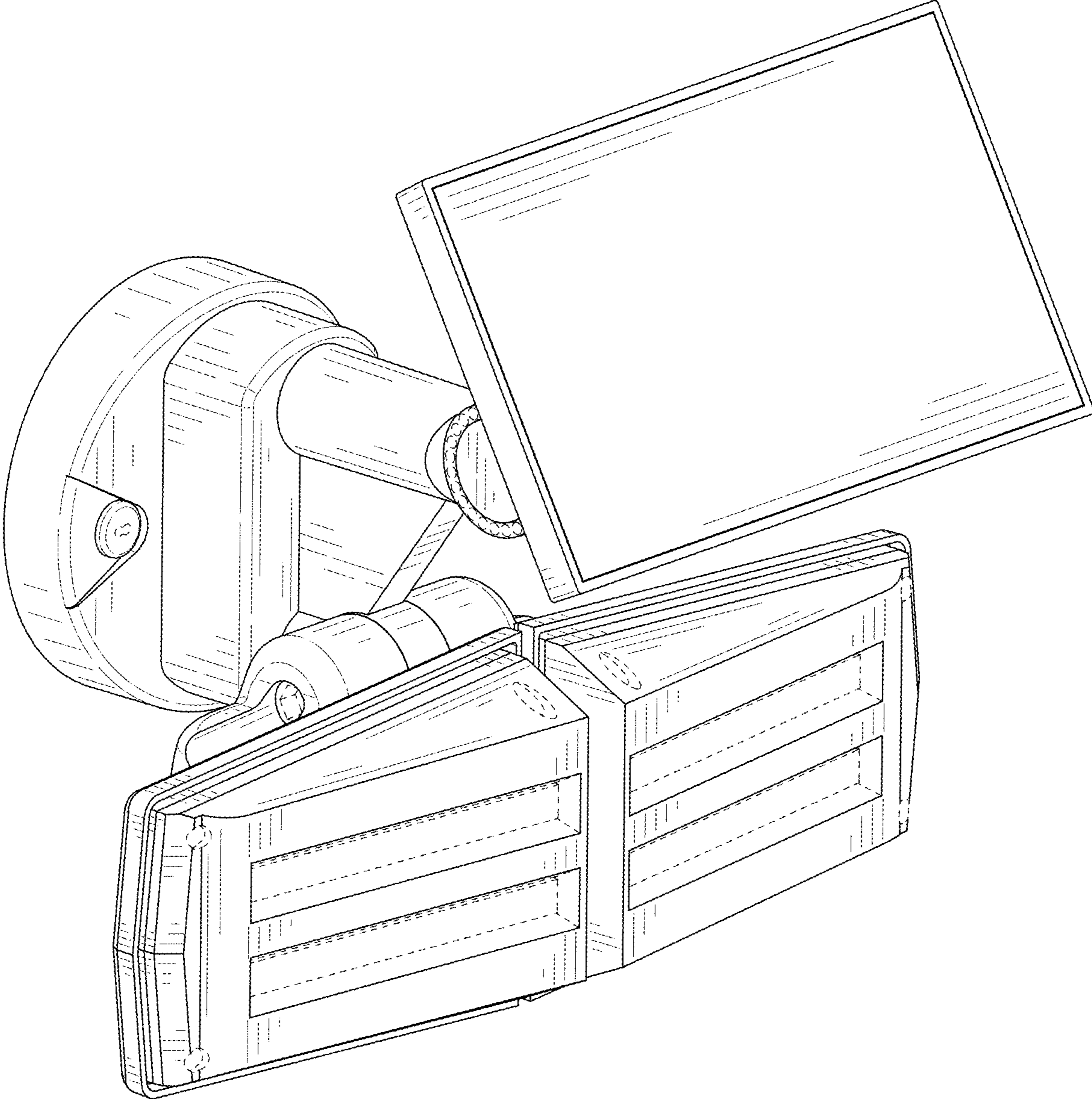


FIG. 1

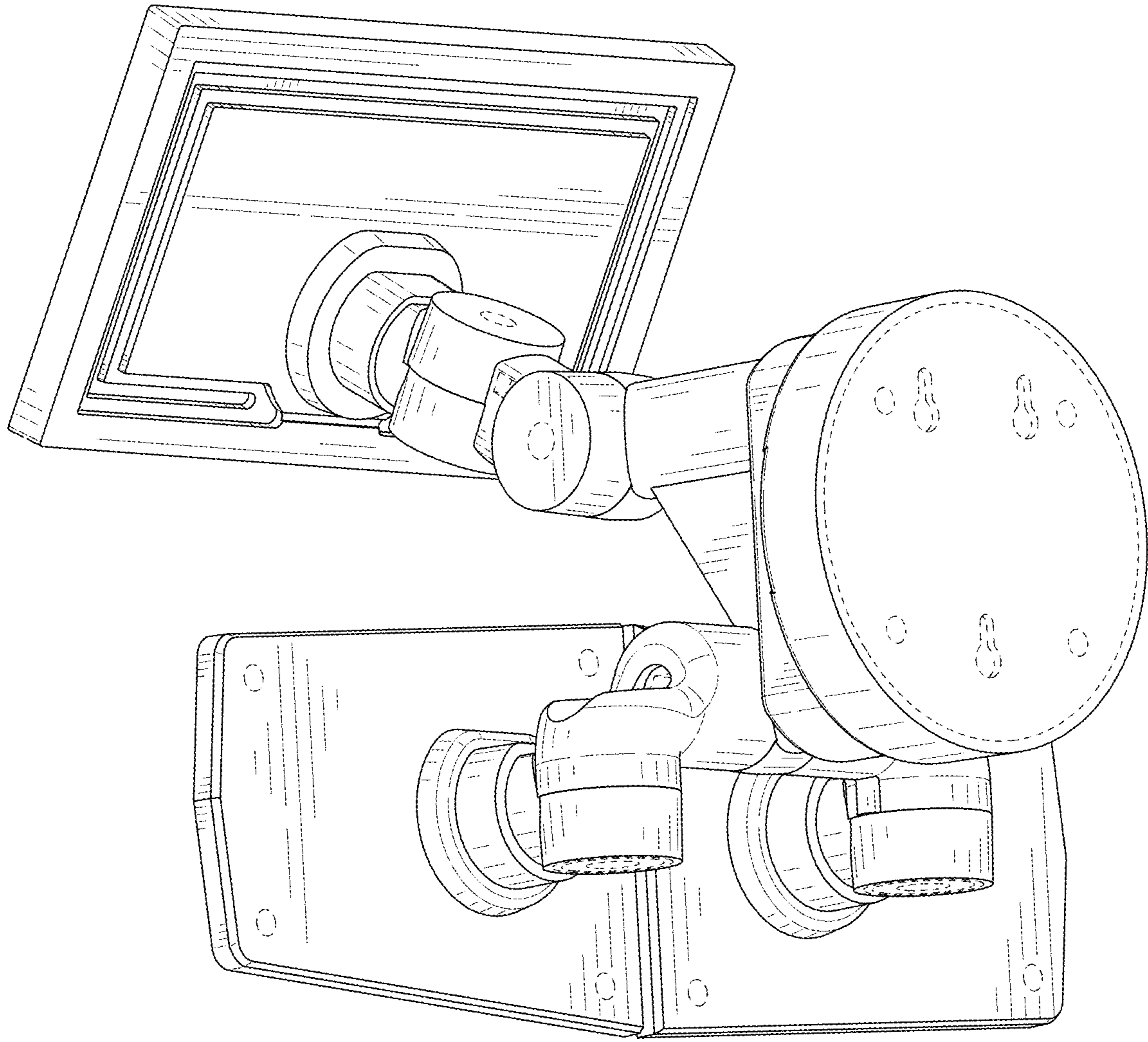


FIG. 2

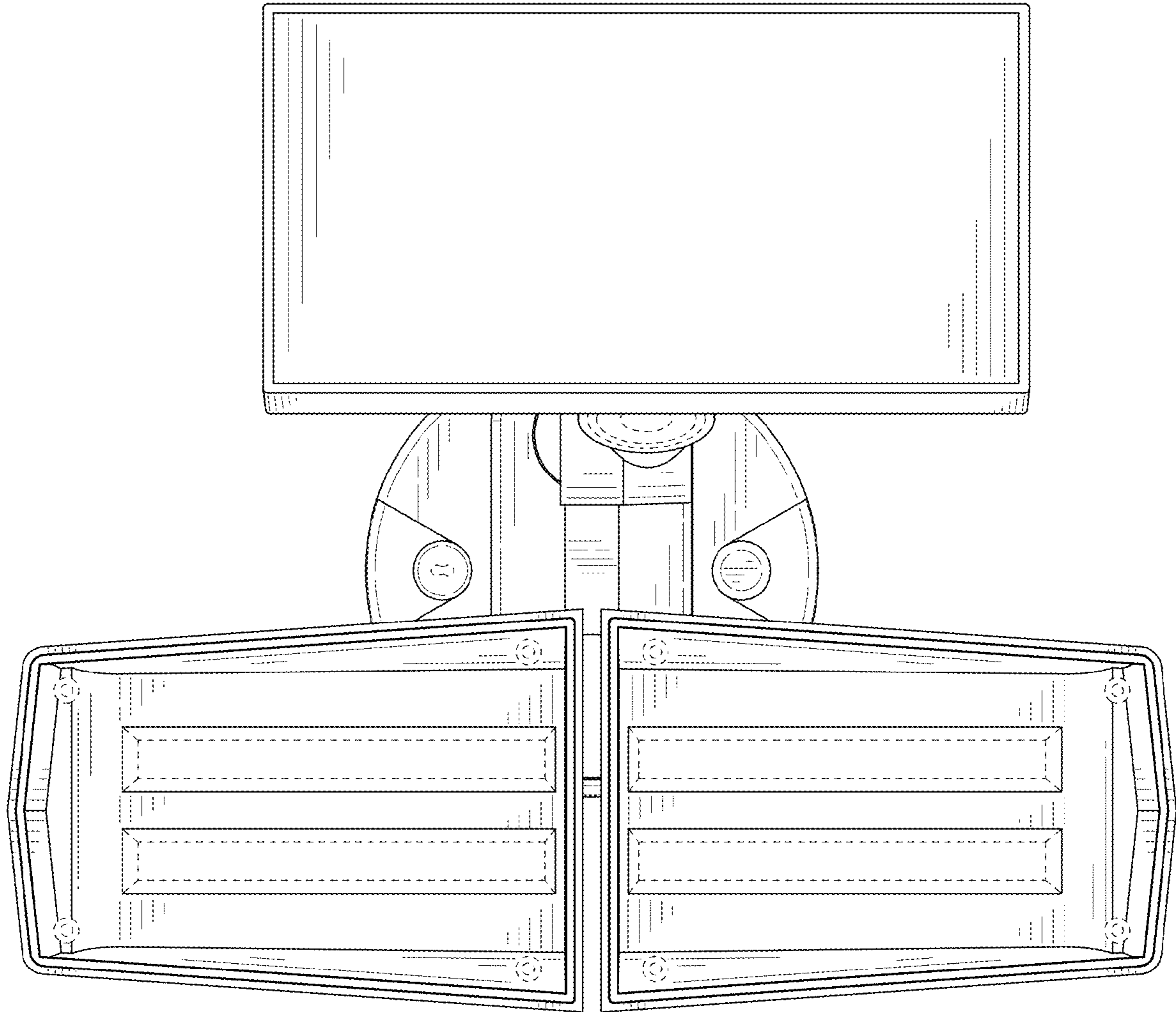


FIG. 3

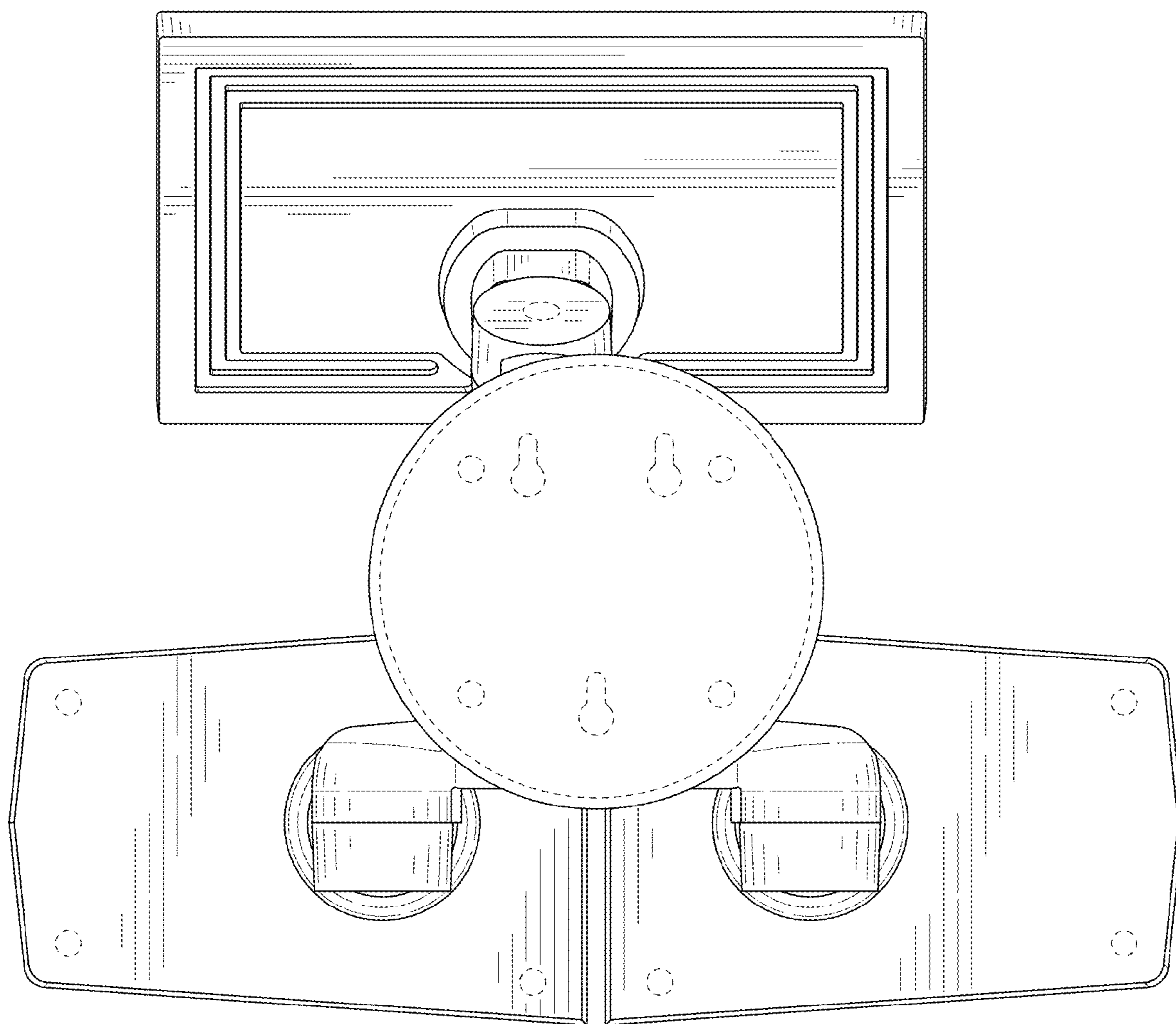


FIG. 4

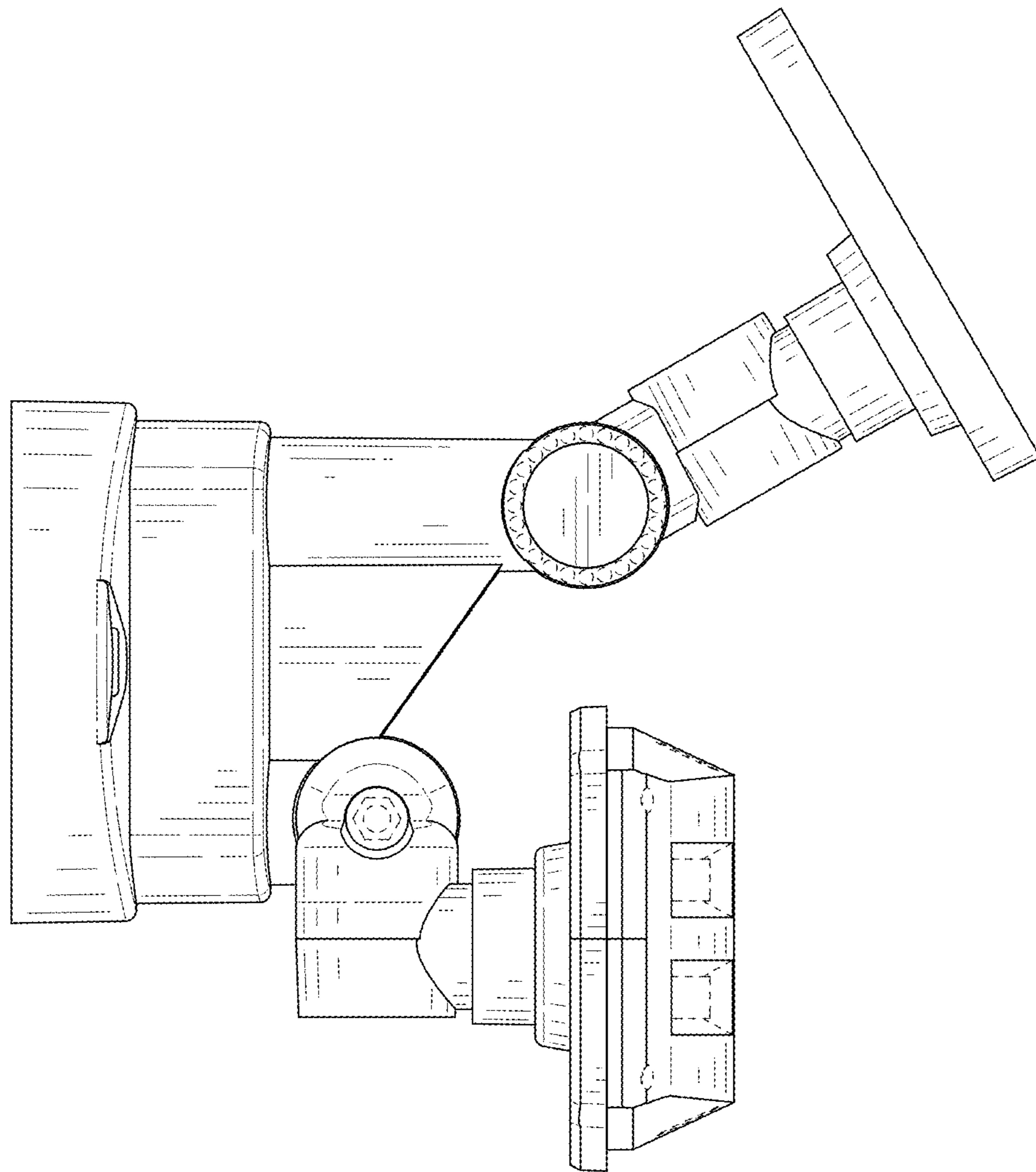


FIG. 5

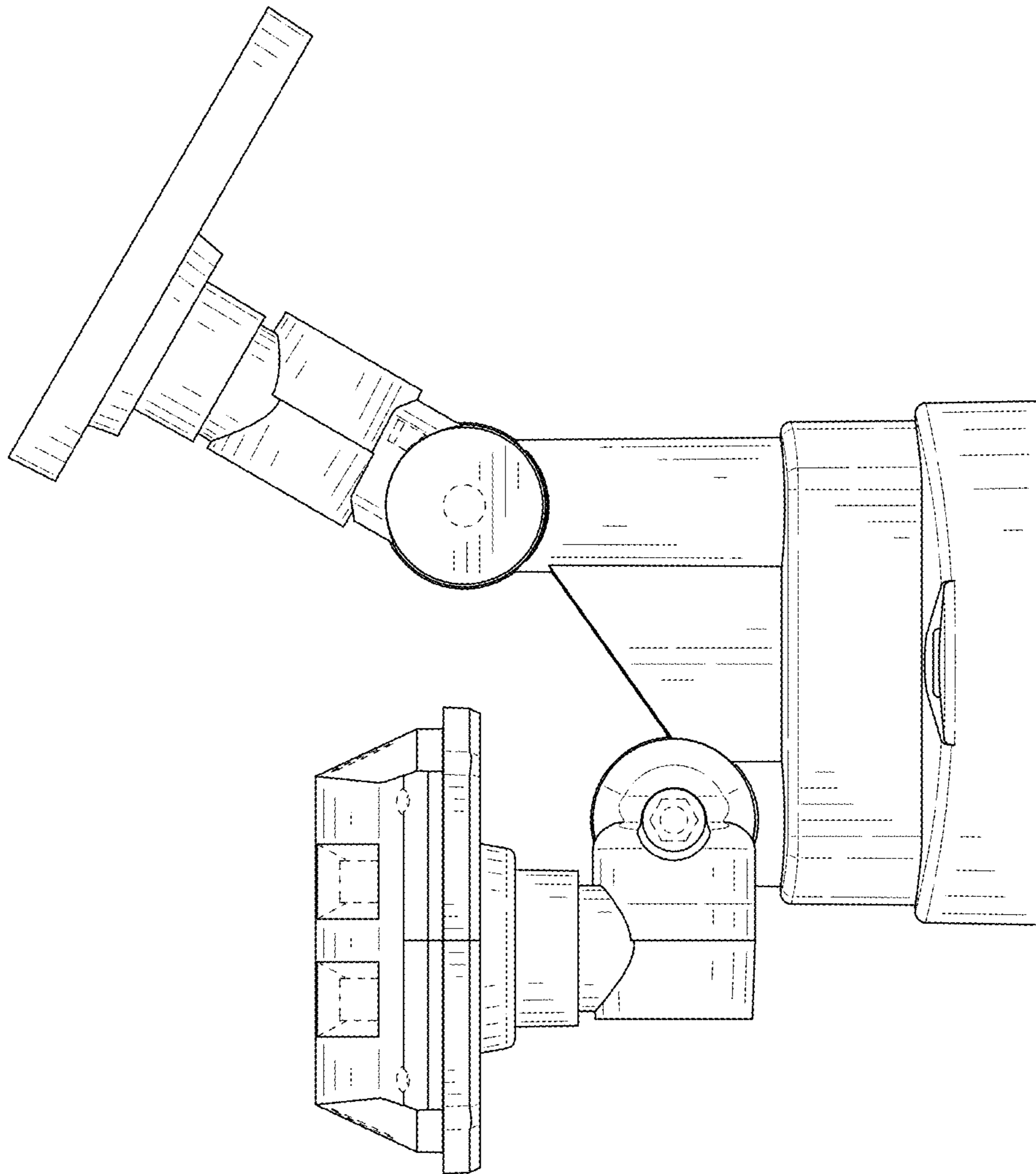


FIG. 6

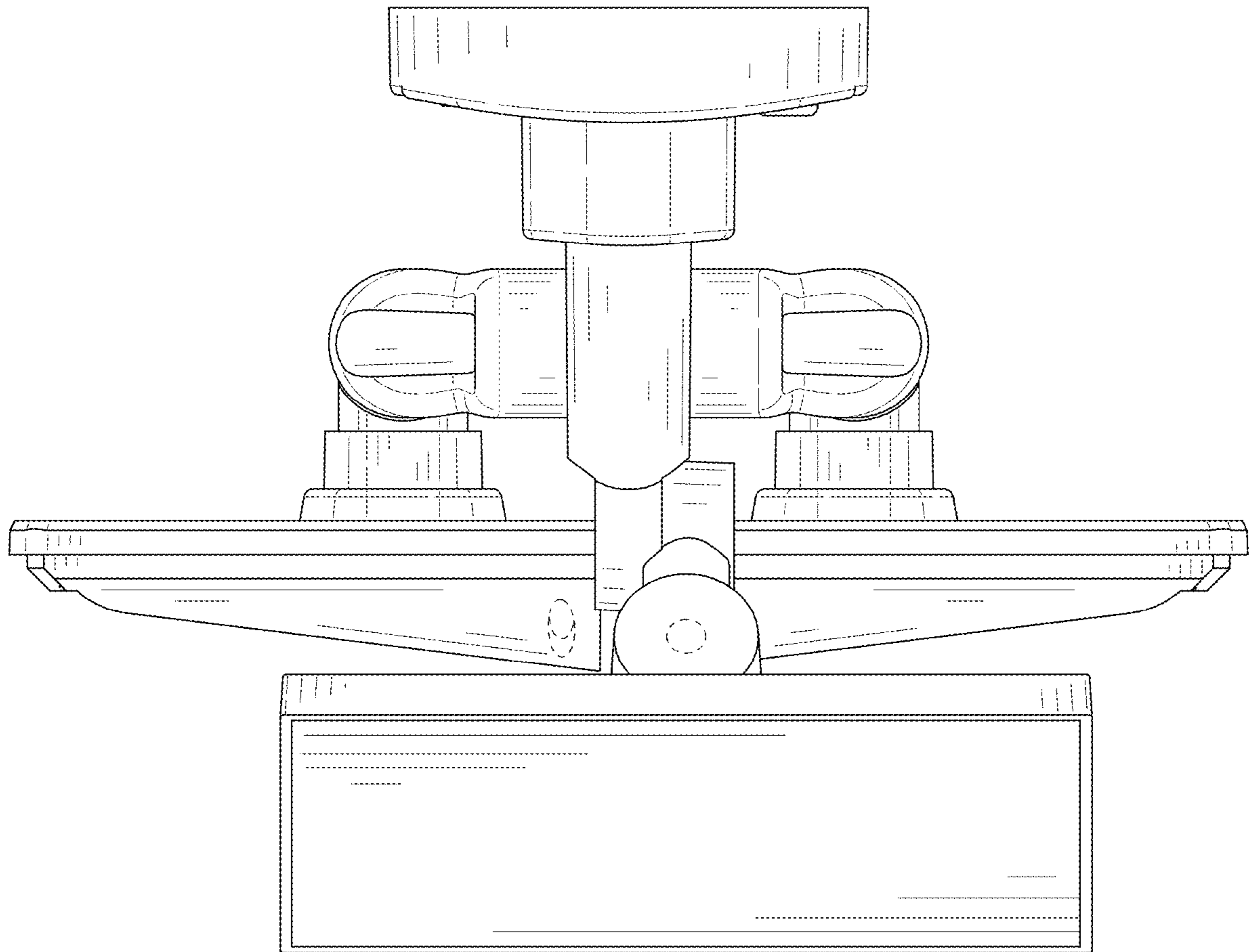


FIG. 7

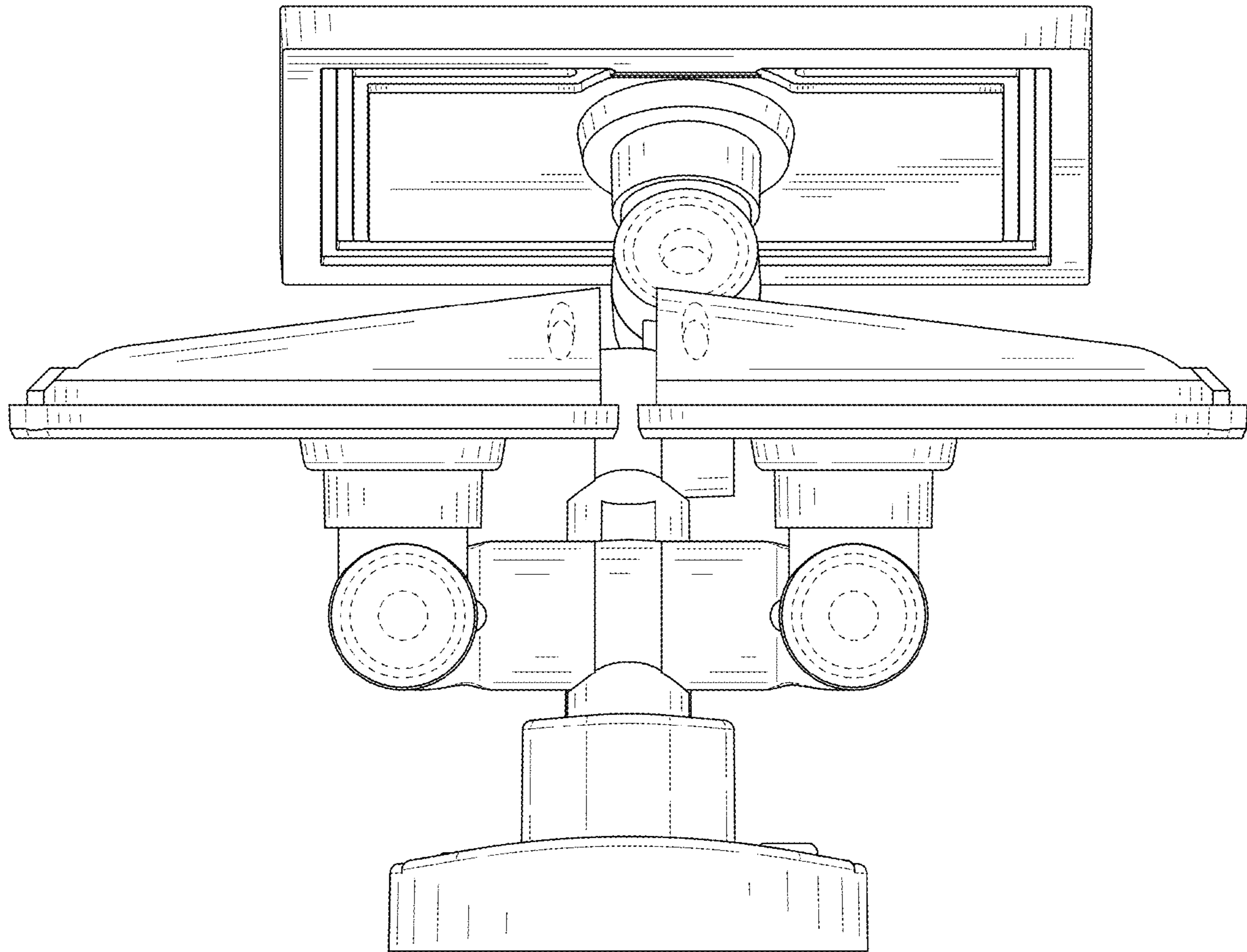


FIG. 8

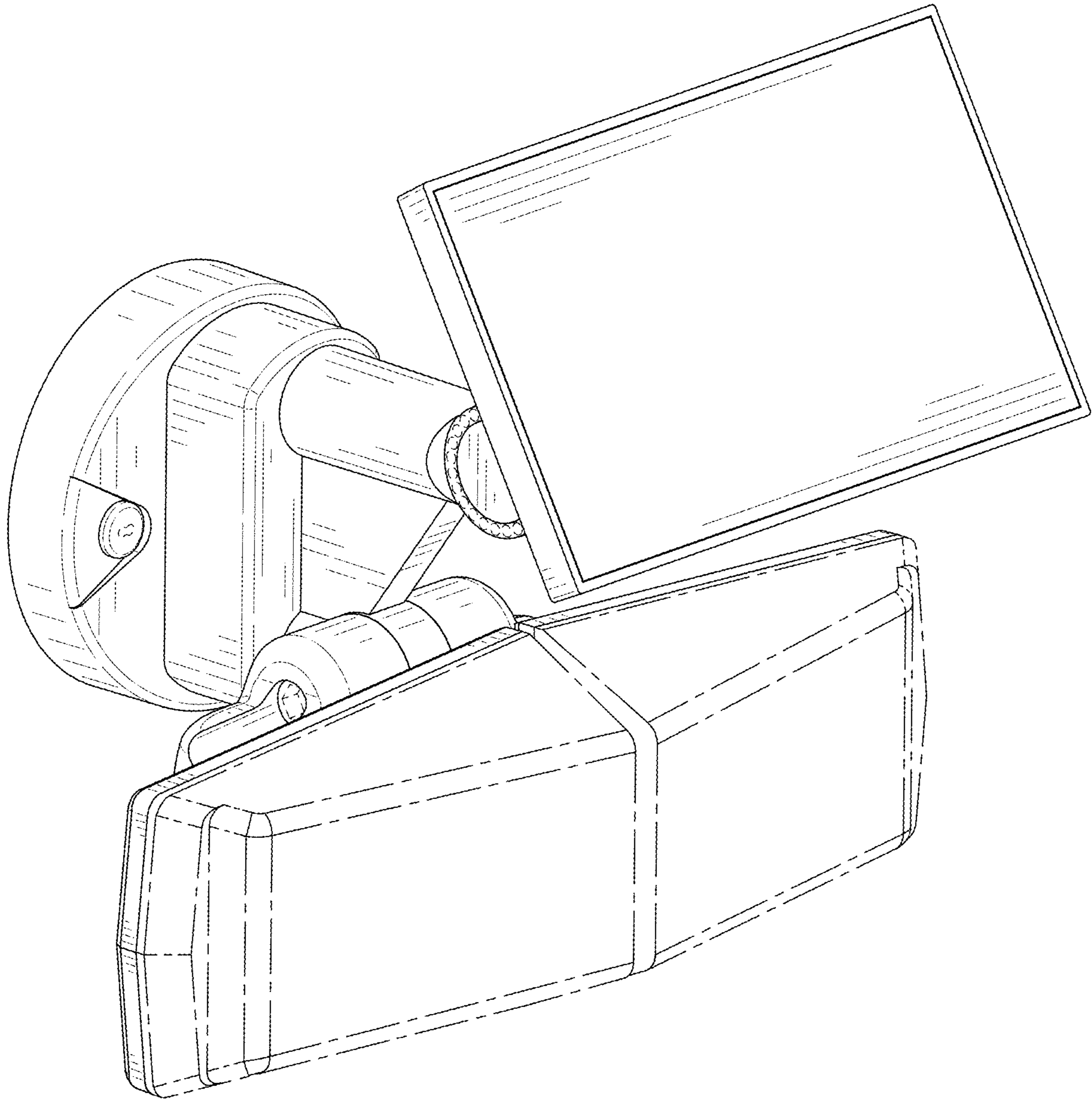


FIG. 9