



US00D911571S

(12) **United States Design Patent**
Liu

(10) **Patent No.:** **US D911,571 S**

(45) **Date of Patent:** **** Feb. 23, 2021**

(54) **SOLAR INDUCTION LAMP**

(71) Applicant: **Heyan Liu**, Dazhou (CN)

(72) Inventor: **Heyan Liu**, Dazhou (CN)

(**) Term: **15 Years**

(21) Appl. No.: **29/744,544**

(22) Filed: **Jul. 29, 2020**

(30) **Foreign Application Priority Data**

Jun. 4, 2020 (CN) 202030276583.7

(51) **LOC (13) Cl.** **26-03**

(52) **U.S. Cl.**
USPC **D26/63**

(58) **Field of Classification Search**
CPC .. F21S 8/00; F21V 21/00; F21V 17/02; F21V
14/02; F21V 21/30; F21V 21/14; F21W
2131/10

See application file for complete search history.

(56) **References Cited**

U.S. PATENT DOCUMENTS

- 5,258,899 A * 11/1993 Chen F21S 8/033
362/394
- 5,649,761 A * 7/1997 Sandell F21V 23/0471
362/276
- D657,083 S * 4/2012 Kline D26/63

- D742,053 S * 10/2015 Sussman D26/63
- D764,694 S 8/2016 Tsai
- D765,901 S * 9/2016 Chen D26/63
- D769,498 S * 10/2016 Liang D26/61
- D816,259 S 4/2018 Liu
- D822,874 S 7/2018 Hu
- D836,816 S 12/2018 Liu
- D841,218 S 2/2019 Liu
- D875,984 S * 2/2020 Xiao D26/63
- D882,848 S * 4/2020 Zhang D26/63

* cited by examiner

Primary Examiner — Brian N. Vinson

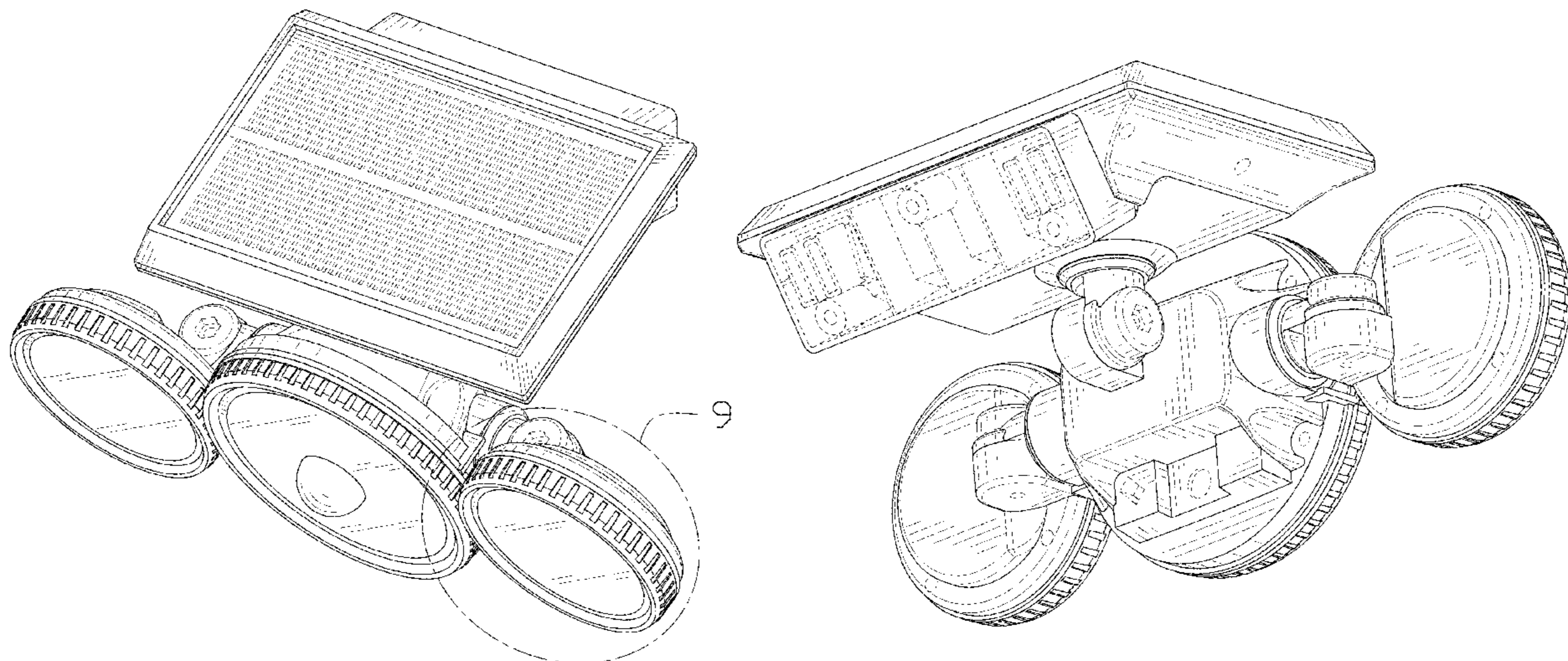
(57) **CLAIM**

The ornamental design for a solar induction lamp, as shown and described.

DESCRIPTION

FIG. 1 is a front perspective view of a solar induction lamp showing my new design;
 FIG. 2 is a rear perspective view thereof;
 FIG. 3 is a front elevational view thereof;
 FIG. 4 is a rear elevational view thereof;
 FIG. 5 is a left side elevational view thereof;
 FIG. 6 is a right side elevational view thereof;
 FIG. 7 is a top plan view thereof;
 FIG. 8 is a bottom plan view thereof; and,
 FIG. 9 is an enlarged view of a circled portion 9 of FIG. 1.
 The broken lines in the drawings depict portions of the solar induction lamp that form no part of the claimed design.

1 Claim, 9 Drawing Sheets



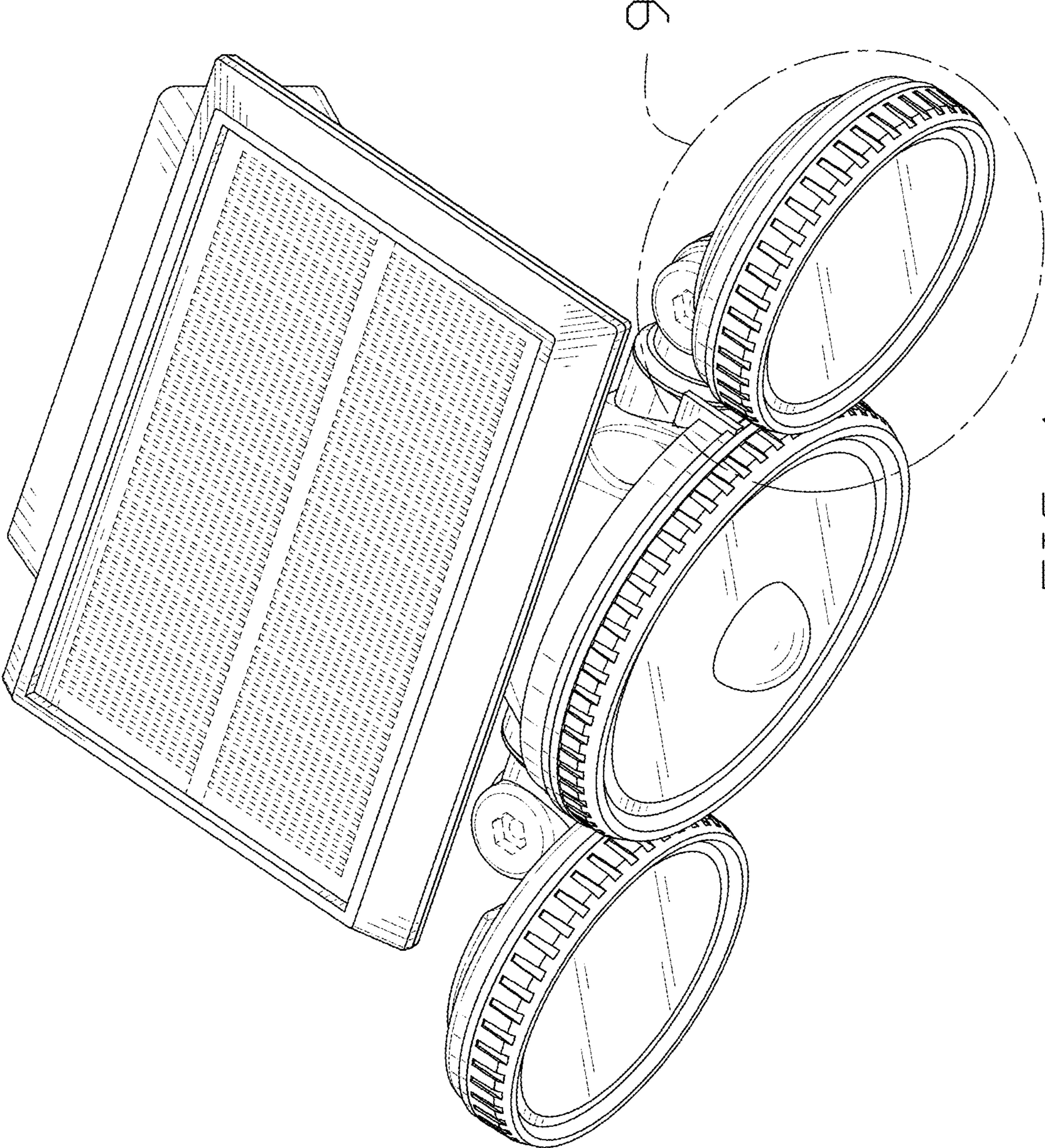


FIG. 1

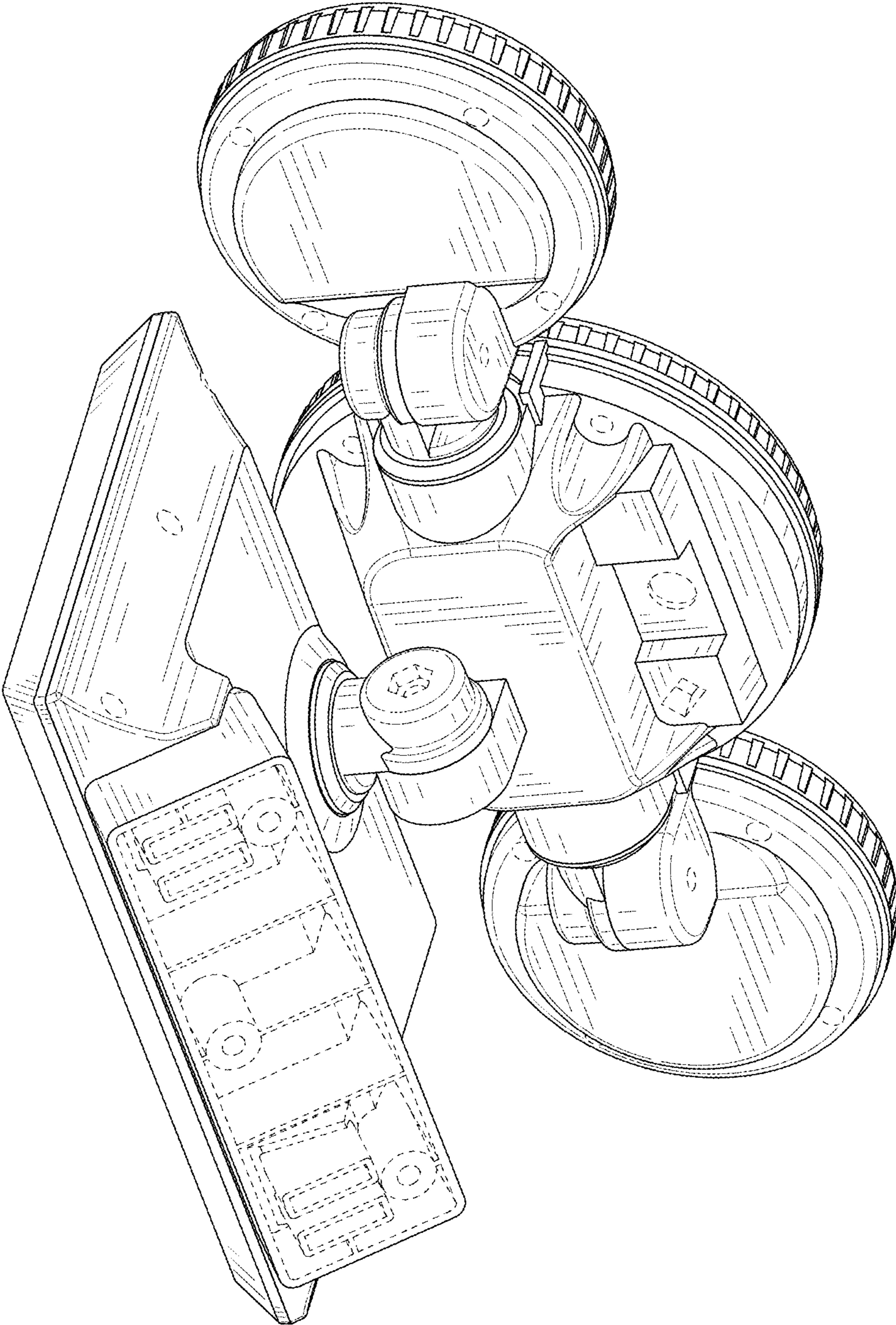


FIG. 2

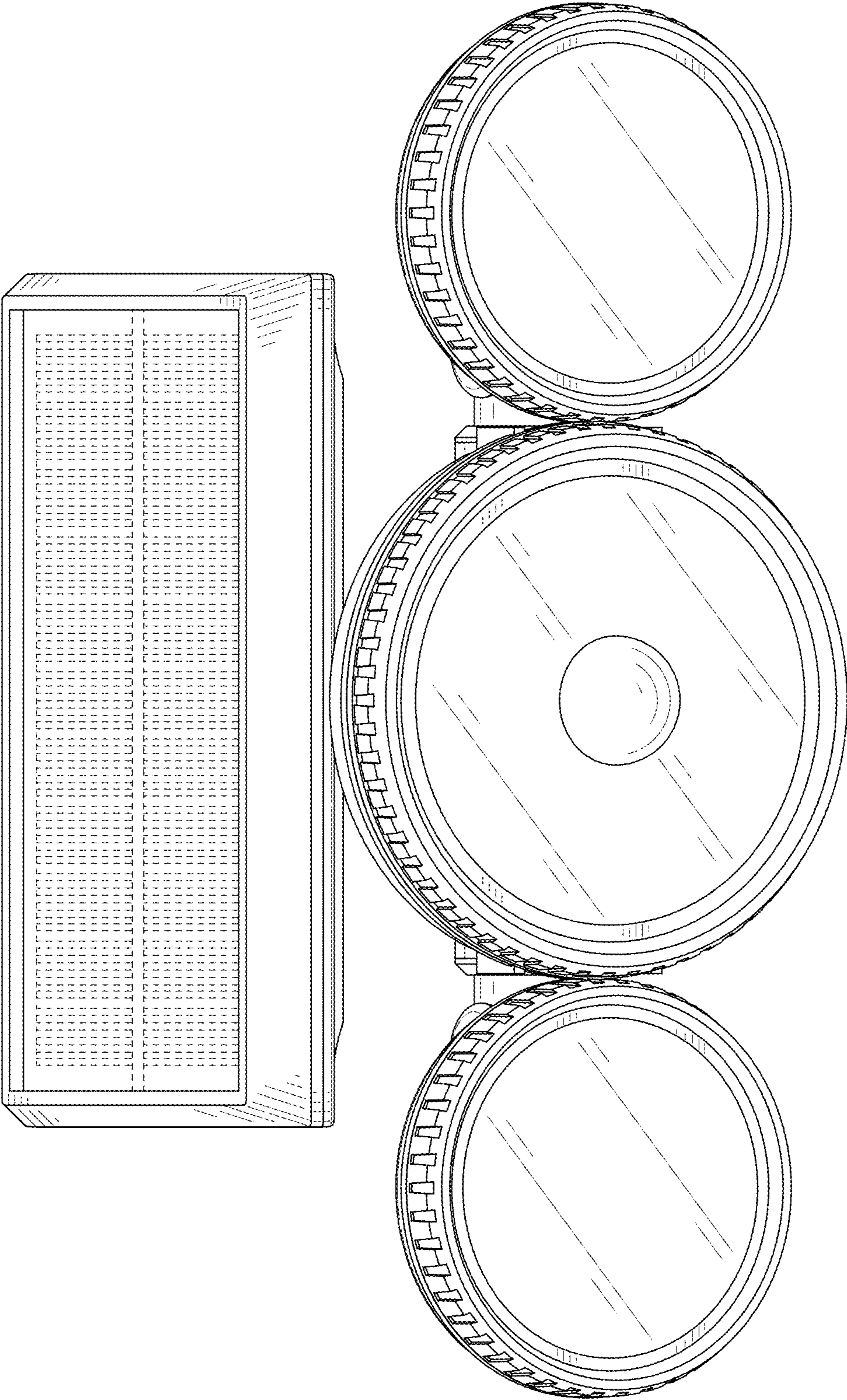


FIG. 3

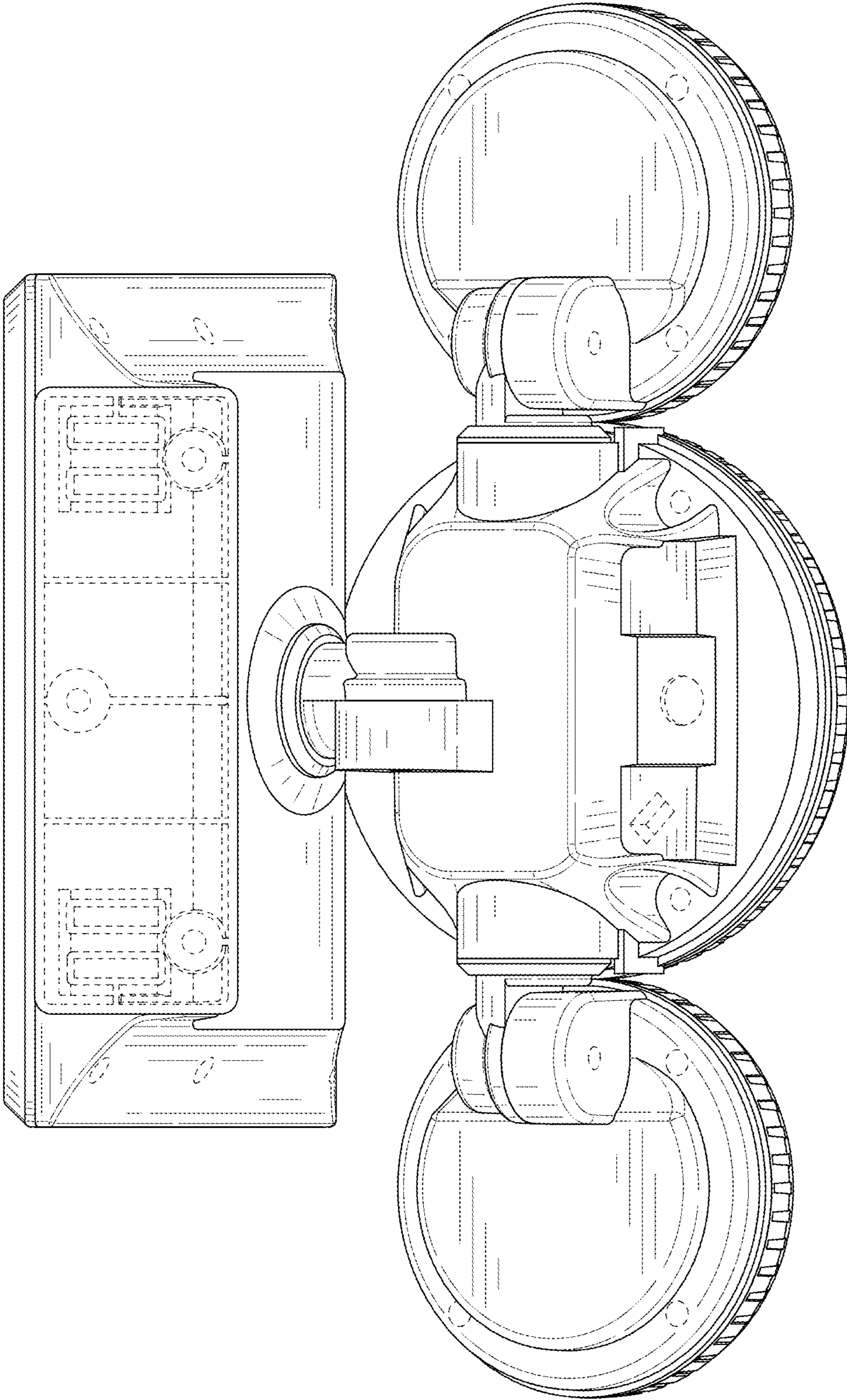


FIG. 4

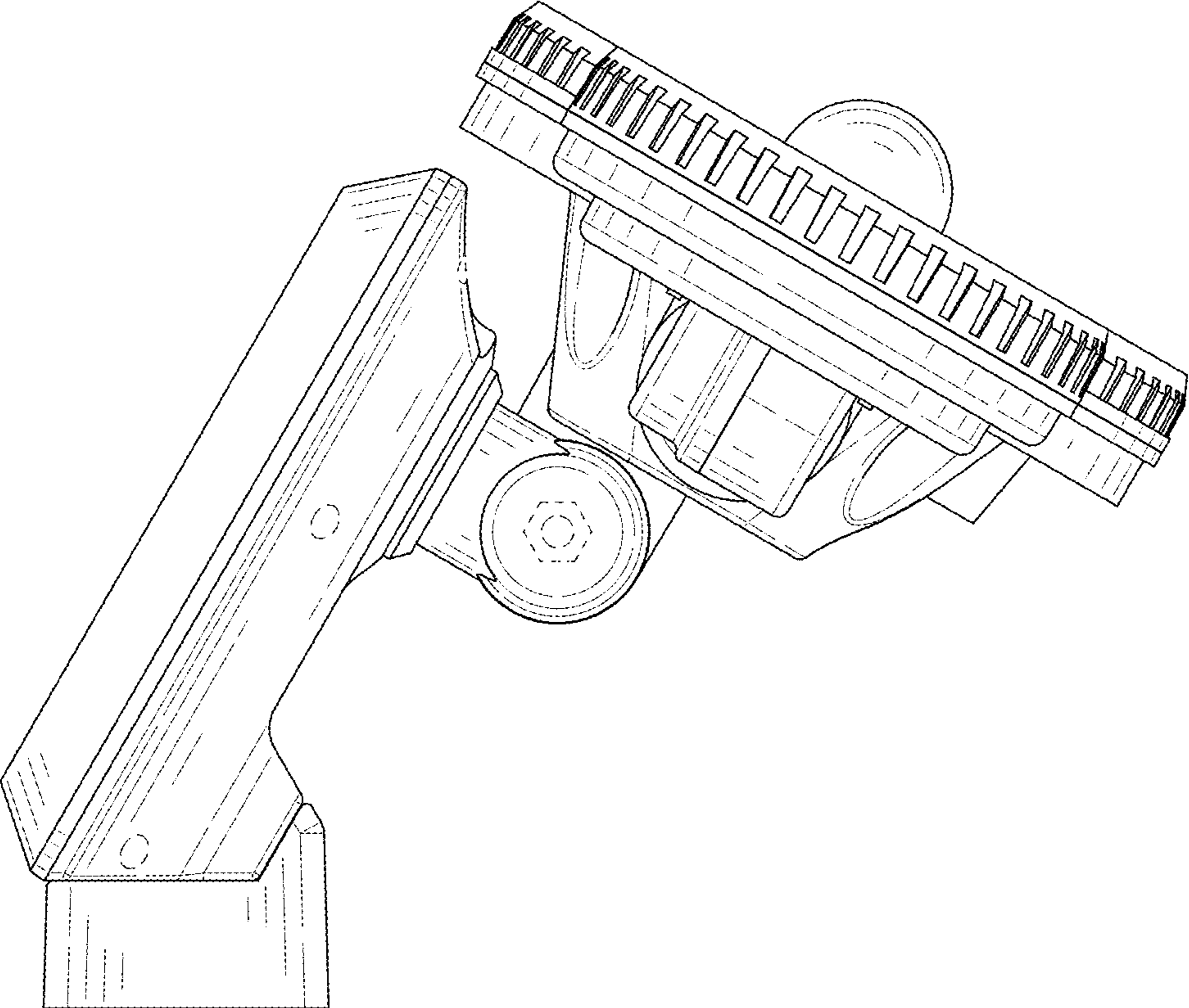


FIG. 5

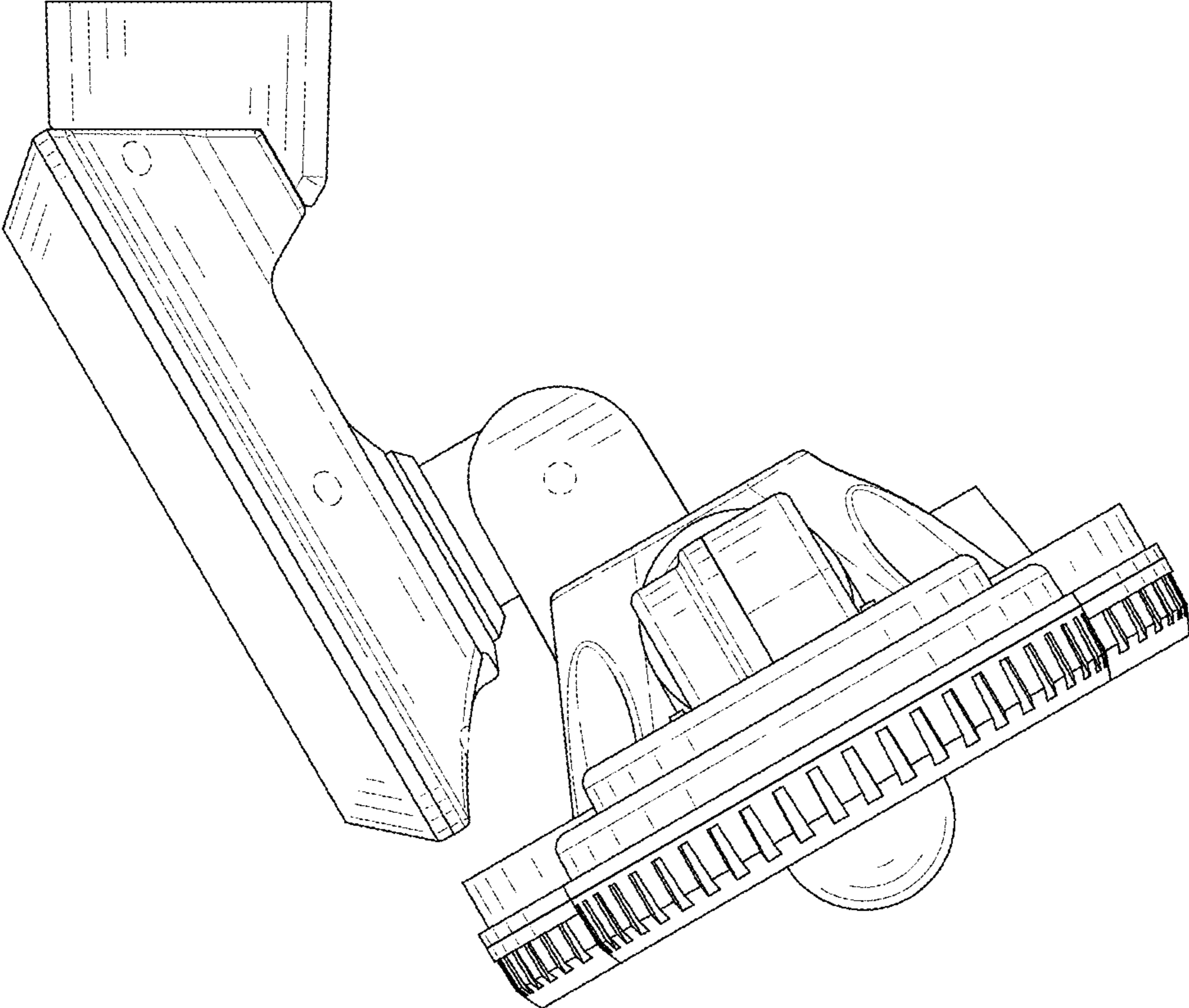


FIG. 6

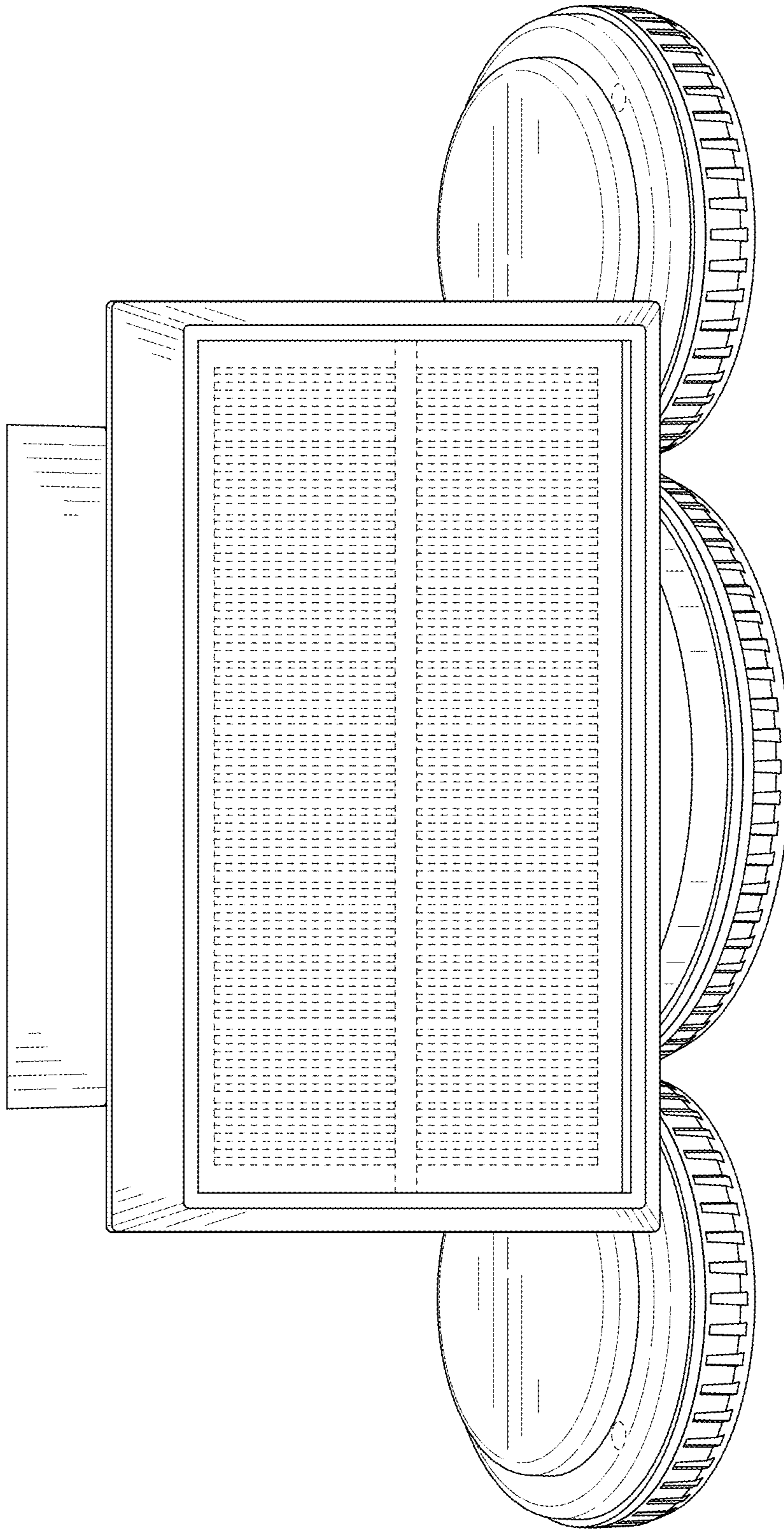


FIG. 7

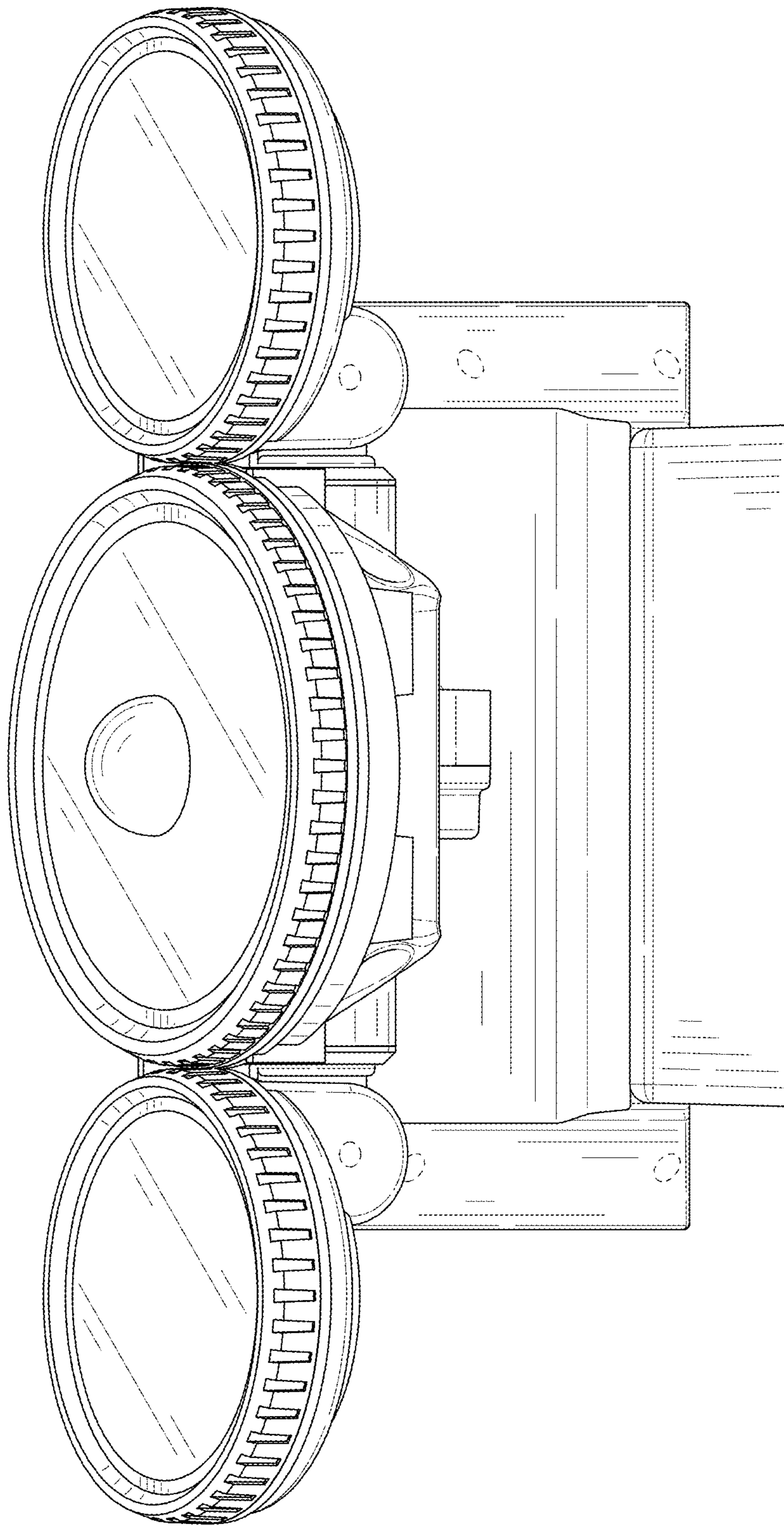


FIG. 8

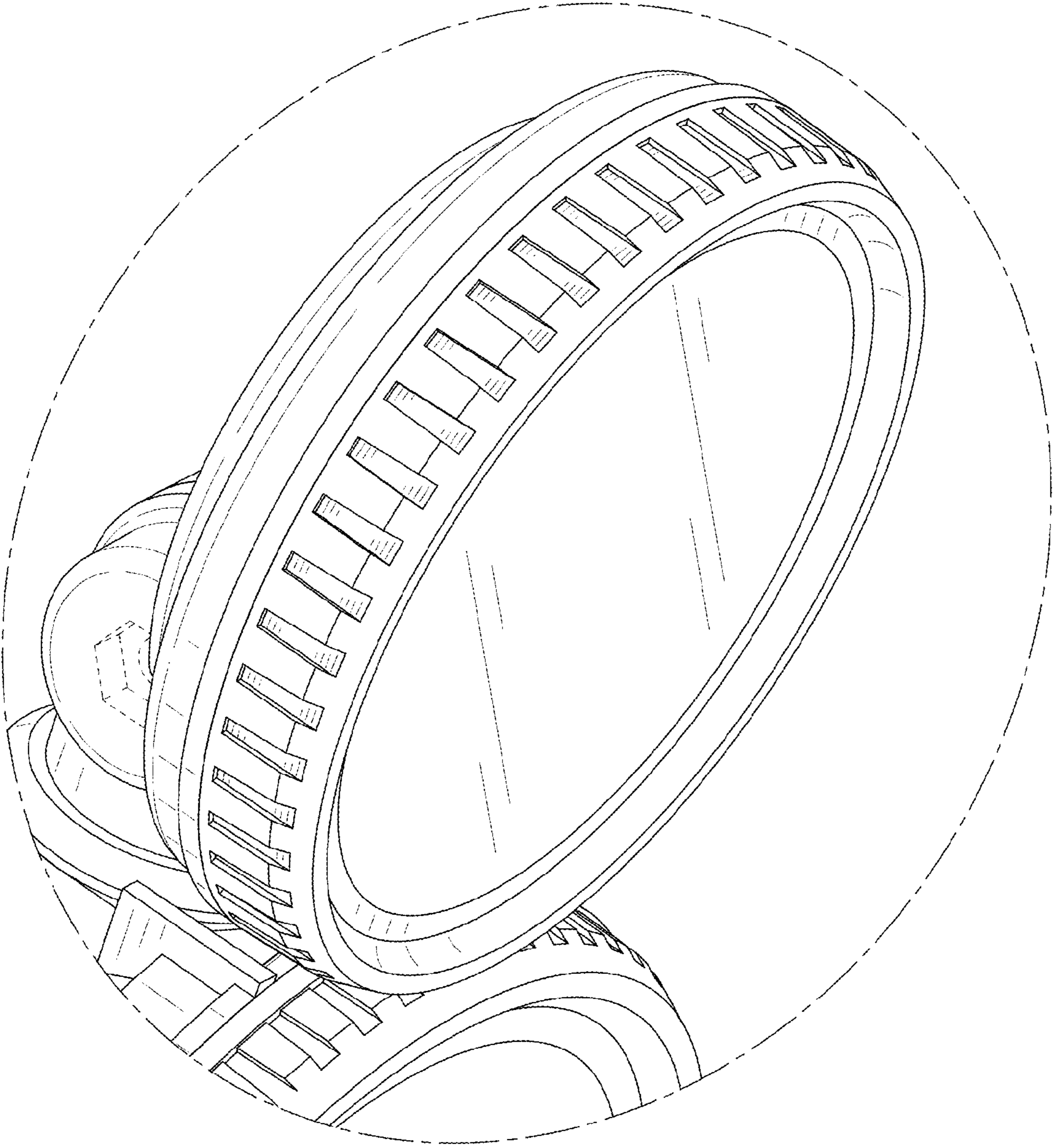


FIG. 9