



US00D911569S

(12) **United States Design Patent** (10) **Patent No.:** **US D911,569 S**
Lv (45) **Date of Patent:** **** Feb. 23, 2021**

(54) **LED PARTY LIGHT WITH REMOTE CONTROLLER**

Primary Examiner — Brian N. Vinson
(74) *Attorney, Agent, or Firm* — Runit Ranjit Kanakia

(71) Applicant: **Longchao Lv**, Henan (CN)

(72) Inventor: **Longchao Lv**, Henan (CN)

(**) Term: **15 Years**

(57) **CLAIM**

I claim the ornamental design for a LED party light with remote controller, as shown and described.

(21) Appl. No.: **29/697,755**

(22) Filed: **Jul. 11, 2019**

DESCRIPTION

(51) **LOC (13) Cl.** **26-03**

(52) **U.S. Cl.**
USPC **D26/63**

(58) **Field of Classification Search**
USPC D26/24, 51, 61, 63, 72, 80
CPC F21S 8/04; F21S 8/00; F21W 2131/10;
F21V 21/00; F21V 21/26; F21V 21/14;
F21V 17/02; F21V 21/30
See application file for complete search history.

FIG. 1 is a Perspective view of a LED party light with remote controller showing my new design;
FIG. 2 is a Front view of the LED party light with remote controller as shown in FIG. 1;
FIG. 3 is a Back view of the LED party light with remote controller as shown in FIG. 1;
FIG. 4 is a Right-side view of the LED party light with remote controller as shown in FIG. 1;
FIG. 5 is a Left-side view of the LED party light with remote controller as shown in FIG. 1;
FIG. 6 is a Top view of the LED party light with remote controller as shown in FIG. 1; and,
FIG. 7 is a Bottom view of the LED party light with remote controller as shown in FIG. 1.

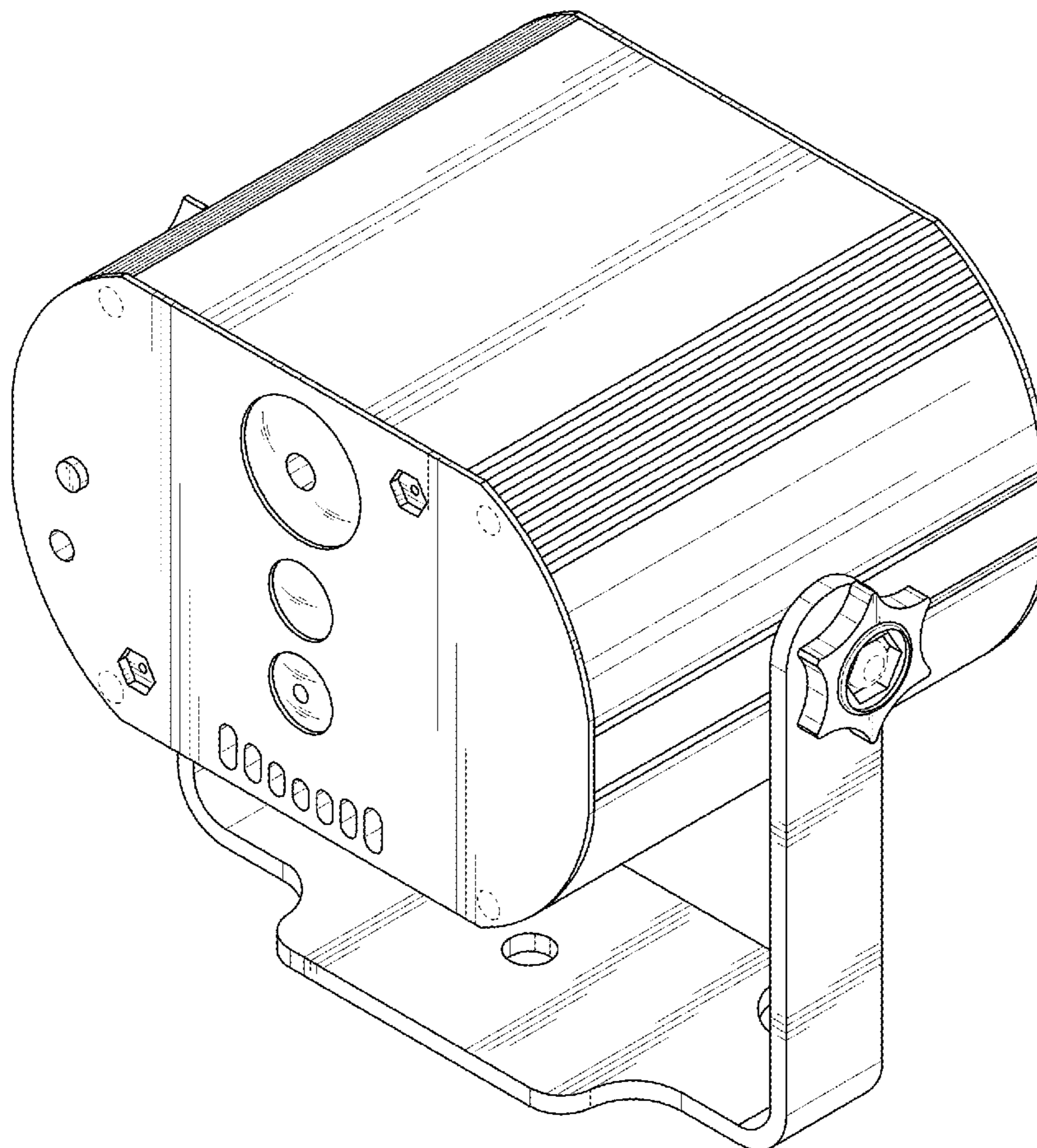
(56) **References Cited**

U.S. PATENT DOCUMENTS

D302,594 S * 8/1989 Charet D26/63
D743,604 S * 11/2015 Kuo D26/63

* cited by examiner

1 Claim, 7 Drawing Sheets



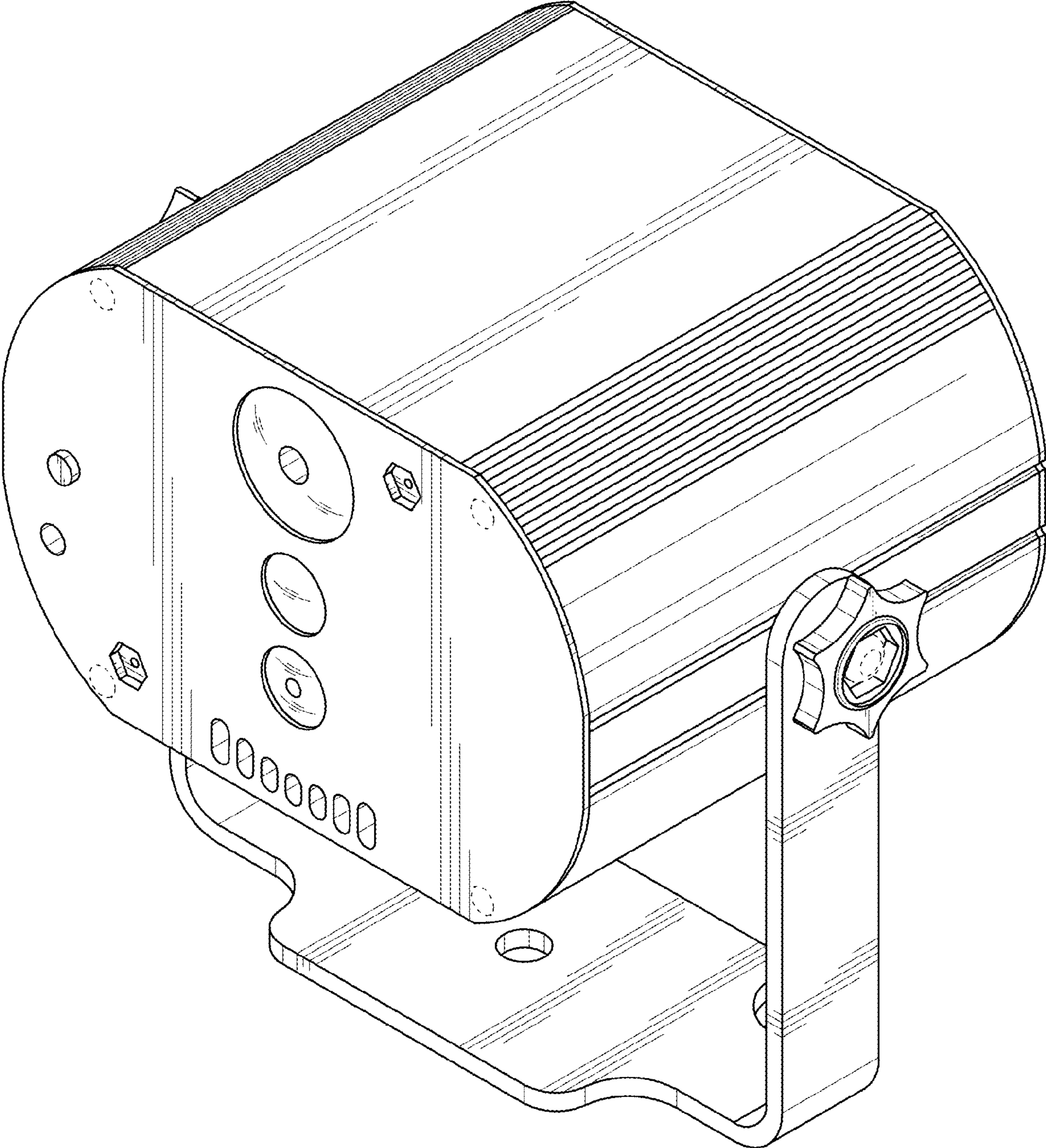


FIG. 1

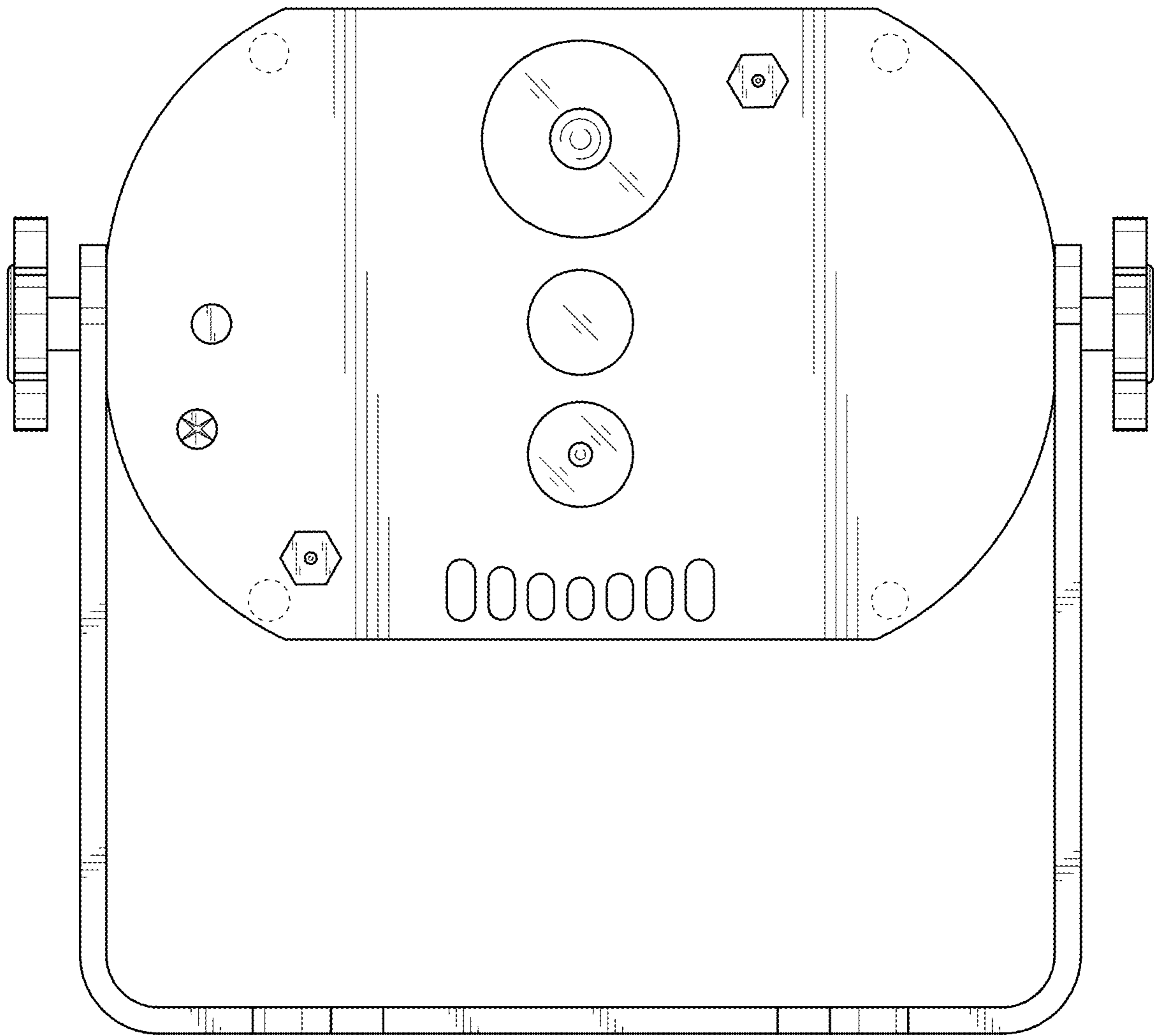


FIG. 2

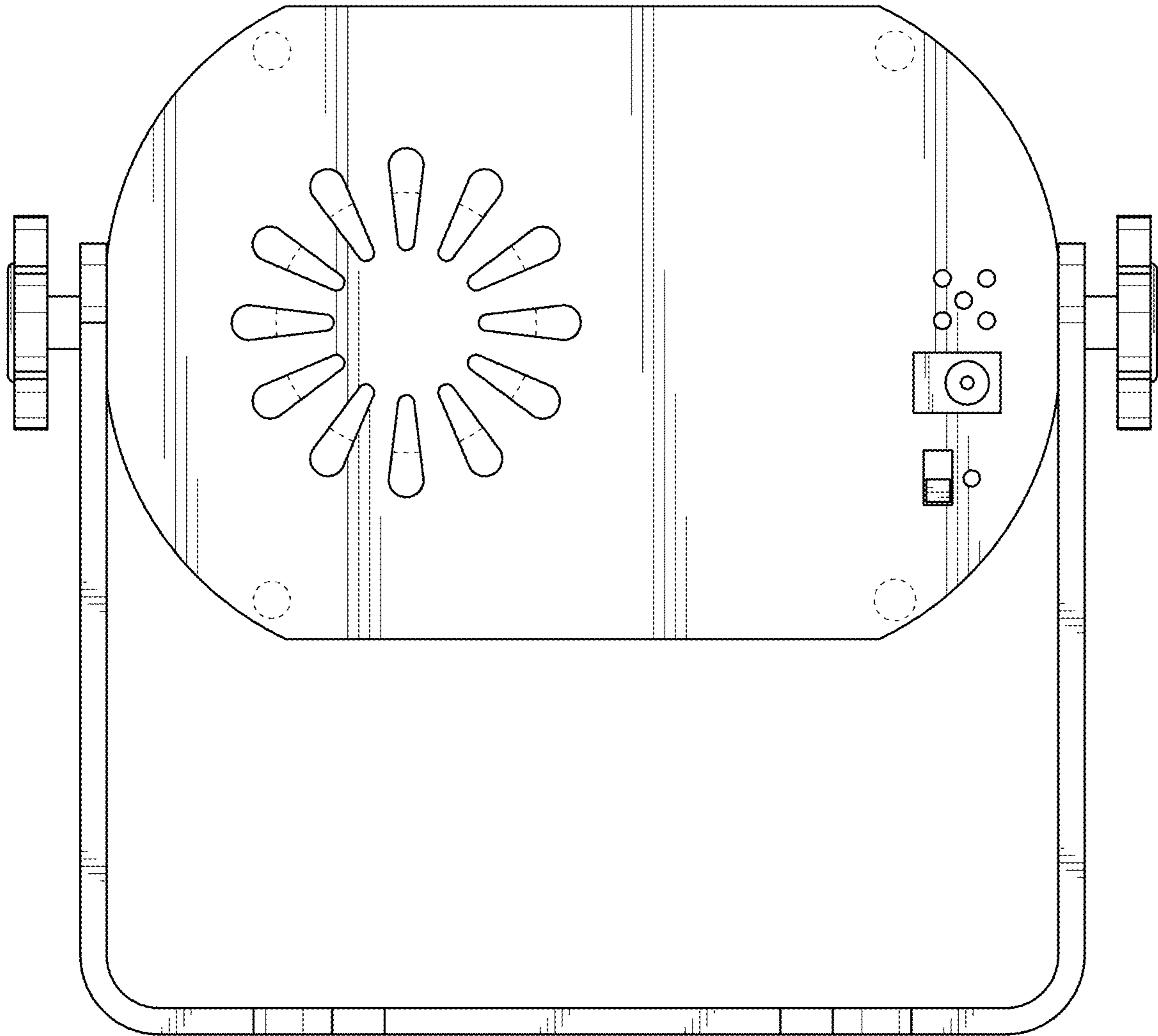


FIG. 3

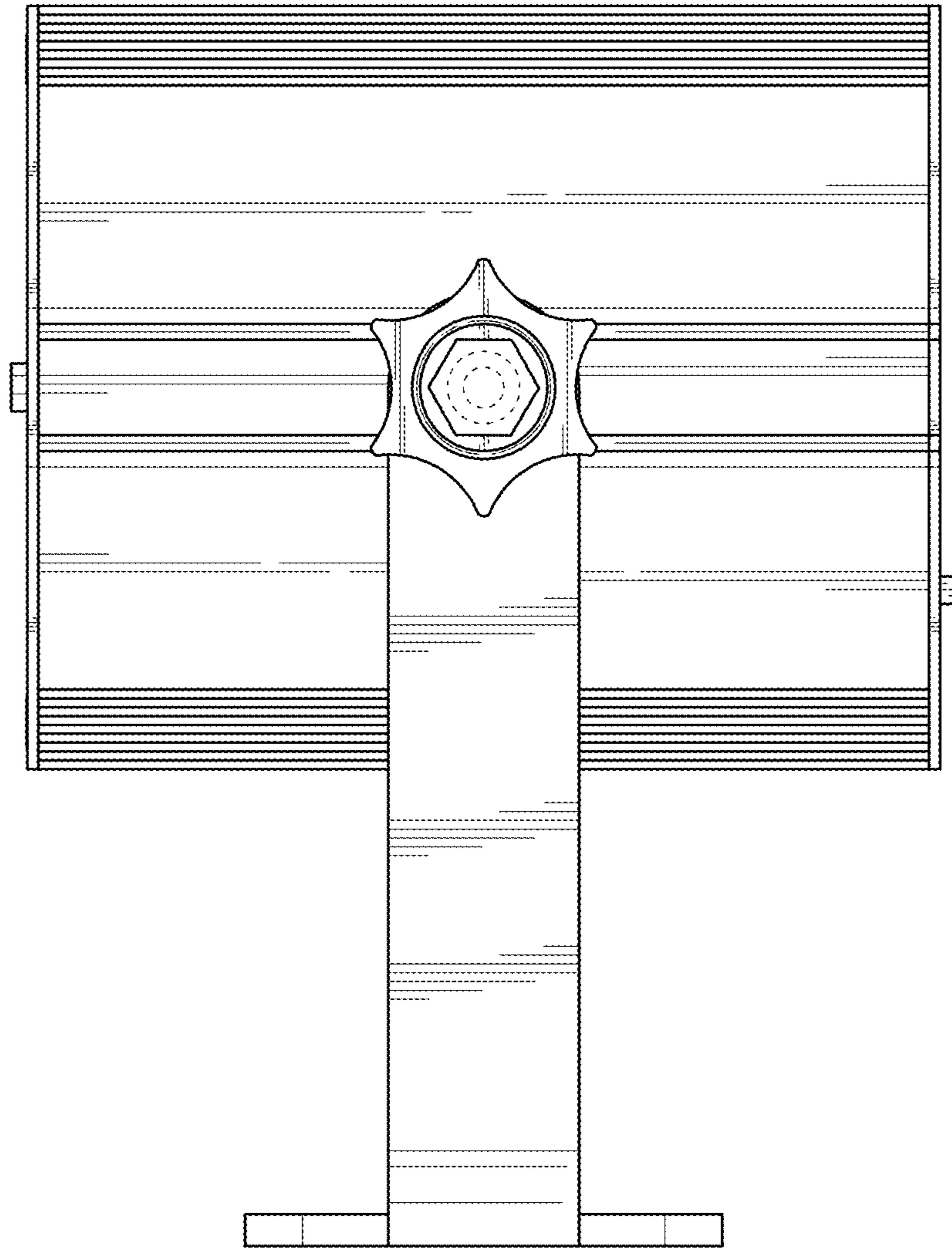


FIG. 4

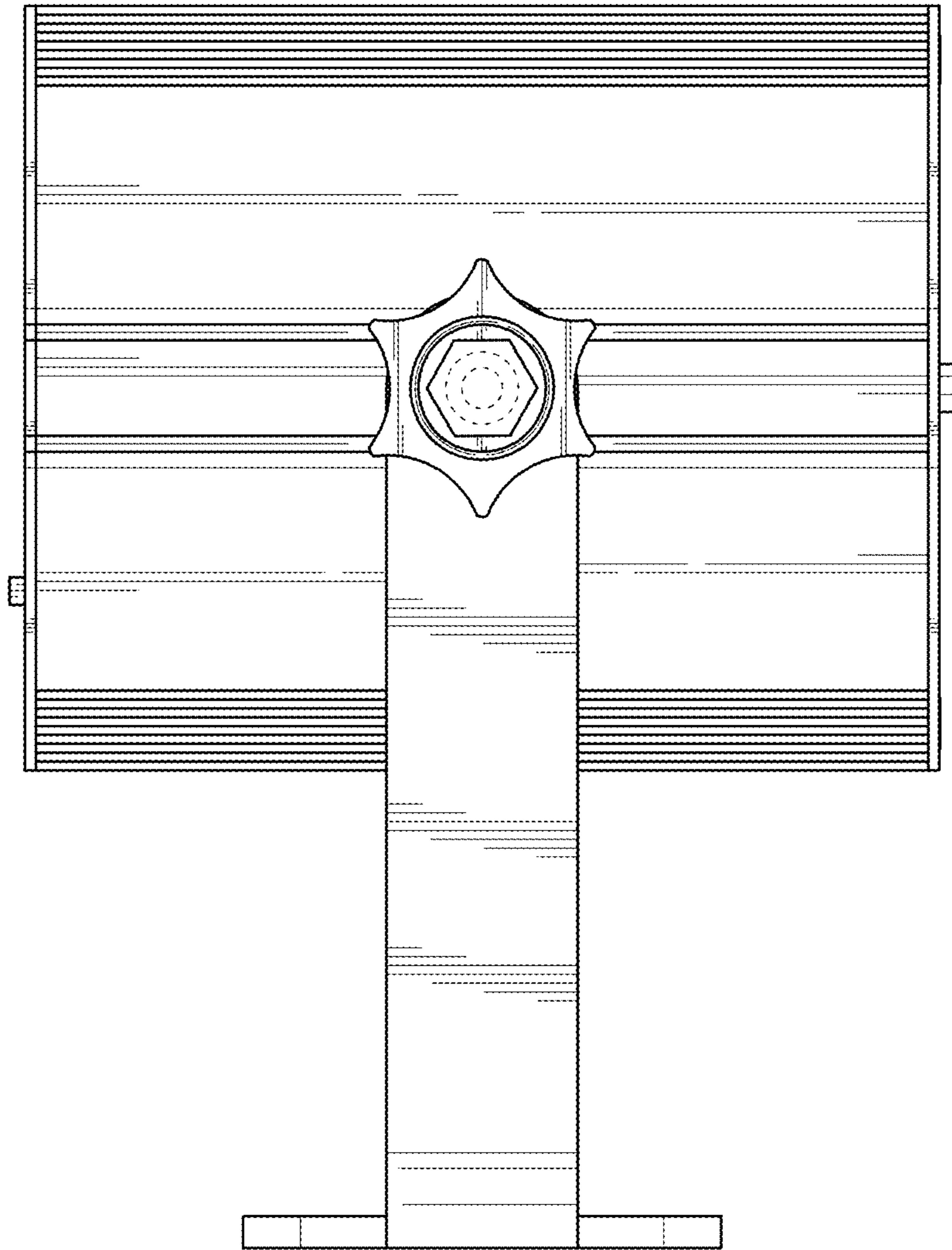


FIG. 5

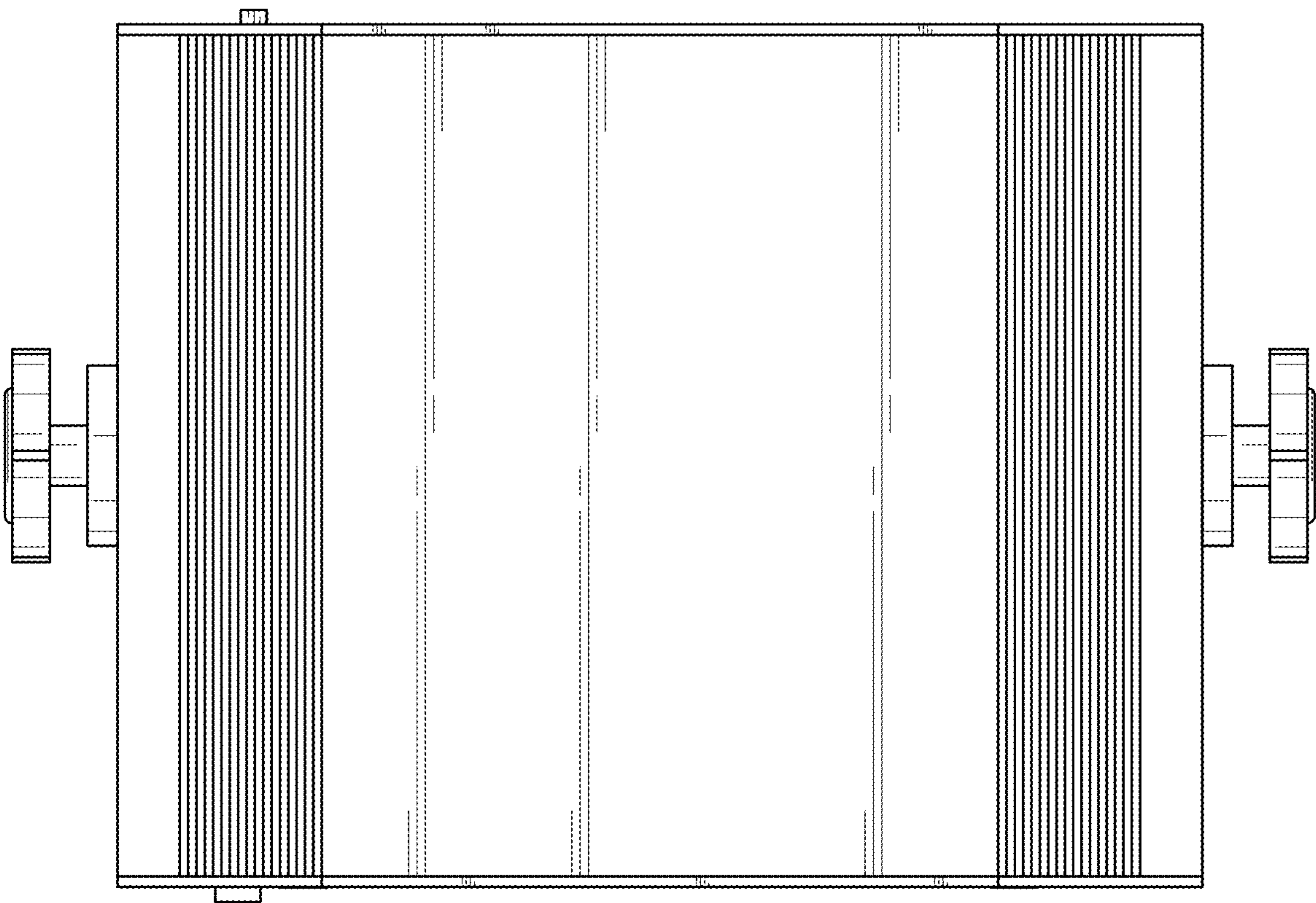


FIG. 6

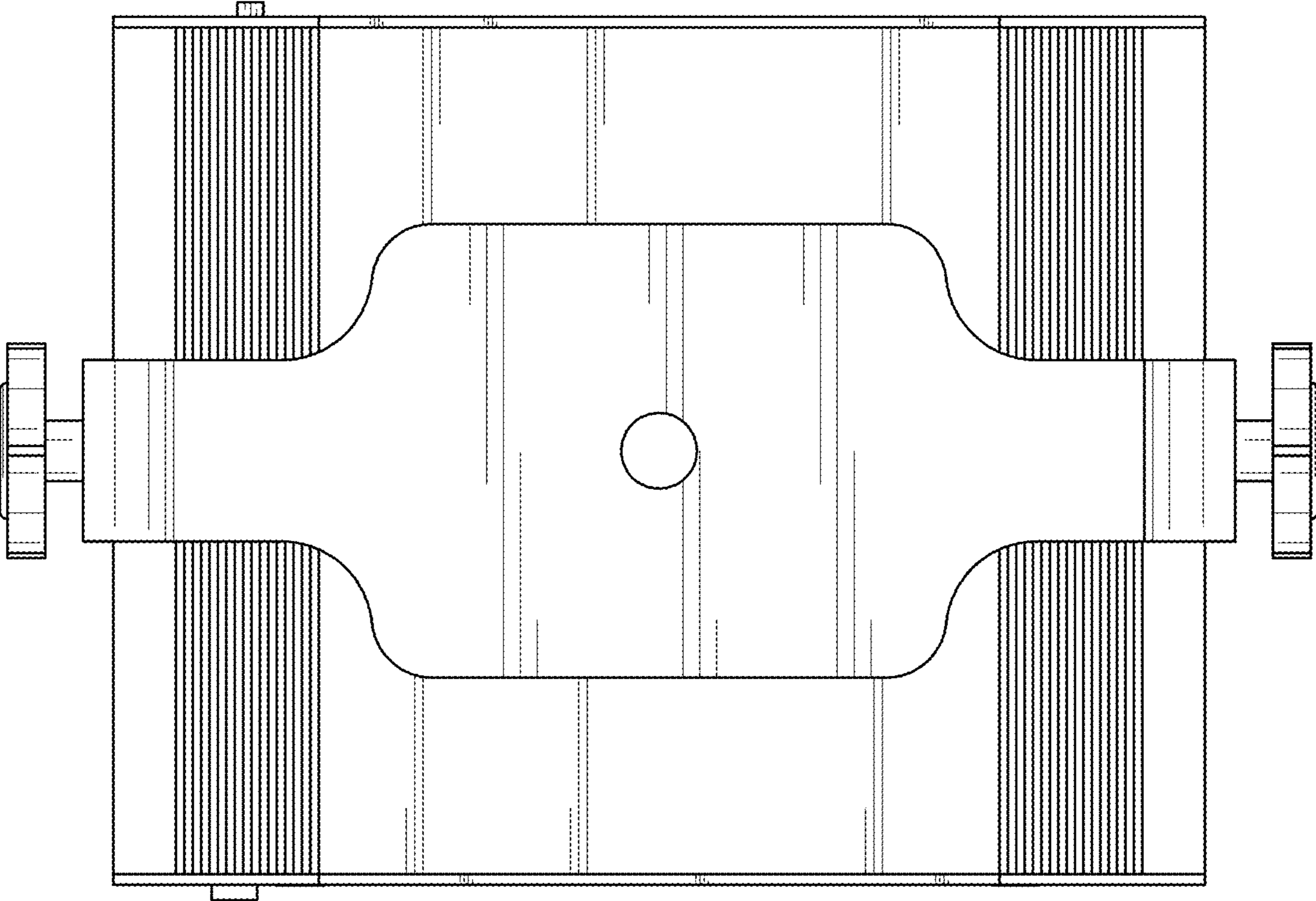


FIG. 7