



US00D911568S

(12) **United States Design Patent** (10) **Patent No.:** **US D911,568 S**  
**Lv** (45) **Date of Patent:** **\*\* Feb. 23, 2021**

(54) **LED PARTY LIGHT WITH BATTERY**

(71) Applicant: **Longchao Lv**, Henan (CN)

(72) Inventor: **Longchao Lv**, Henan (CN)

(\*\*) Term: **15 Years**

(21) Appl. No.: **29/697,754**

(22) Filed: **Jul. 11, 2019**

(51) **LOC (13) Cl.** ..... **26-03**

(52) **U.S. Cl.**  
USPC ..... **D26/63**

(58) **Field of Classification Search**  
USPC ..... D26/61, 63, 65

CPC ..... F21V 21/14; F21V 21/00; F21V 14/00;  
F21V 15/01; F21V 14/02; F21V 21/30;  
F21S 8/003; F21Y 2105/001

See application file for complete search history.

(56) **References Cited**

**U.S. PATENT DOCUMENTS**

7,914,162 B1 \* 3/2011 Huang ..... F21S 45/60  
362/92  
7,988,346 B2 \* 8/2011 Helms ..... F21V 29/89  
362/545  
D689,232 S \* 9/2013 Velazquez ..... F21V 23/009  
D26/63  
D694,928 S \* 12/2013 Chen ..... D26/63  
D730,555 S \* 5/2015 Gebhard ..... D26/72  
D844,207 S \* 3/2019 Zhang ..... D26/63

D854,212 S \* 7/2019 Yuan ..... D26/63  
D880,036 S \* 3/2020 Qiu ..... D26/63  
D899,655 S \* 10/2020 Zhang ..... D26/63  
D899,657 S \* 10/2020 You ..... D26/63

\* cited by examiner

*Primary Examiner* — Brian N. Vinson

(74) *Attorney, Agent, or Firm* — Rumit Ranjit Kanakia

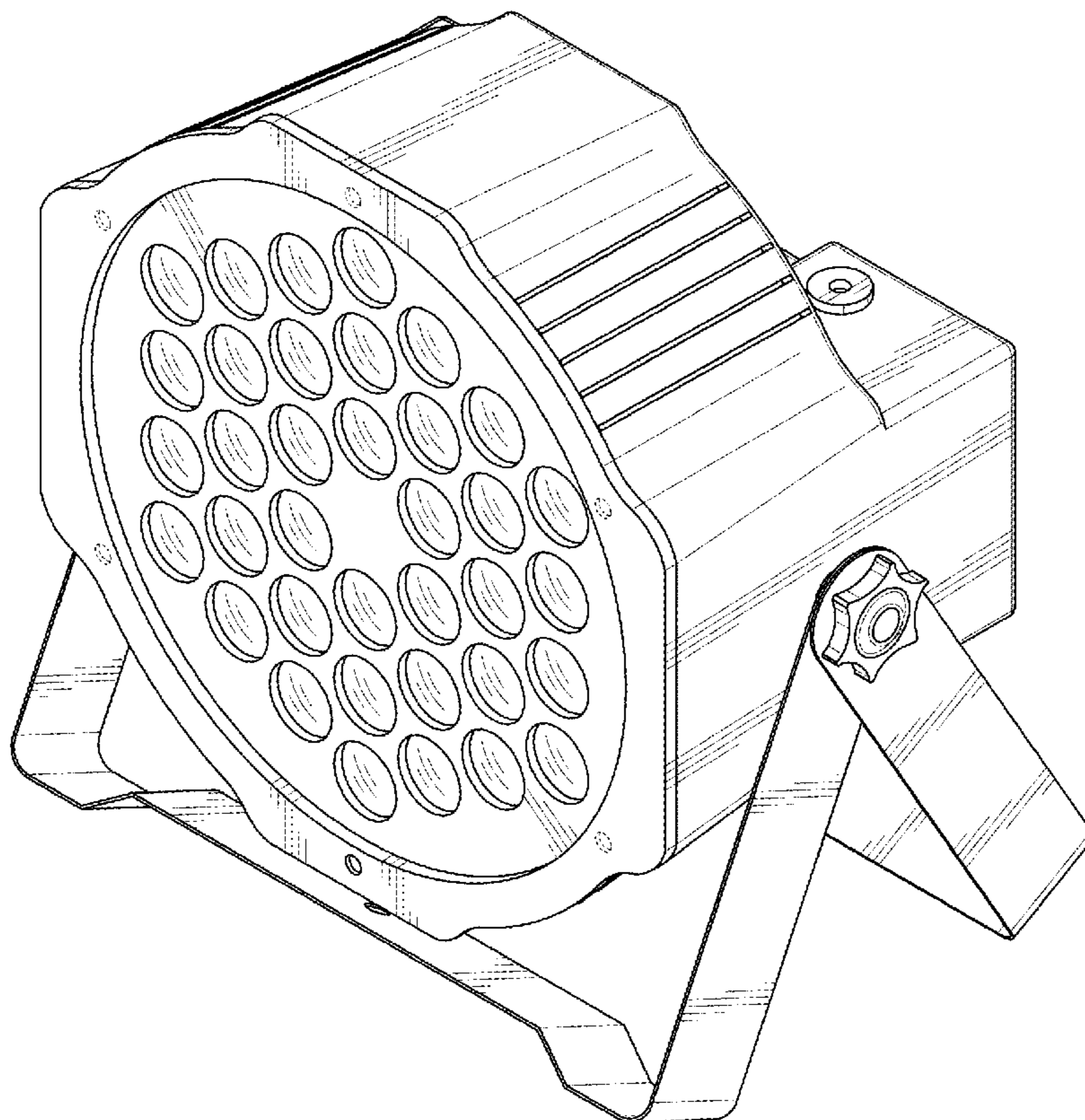
(57) **CLAIM**

I claim the ornamental design for a LED party light with battery, as shown and described.

**DESCRIPTION**

FIG. 1 is a Perspective view of a LED party light with battery showing my new design;  
FIG. 2 is a Front view of the LED party light with battery as shown in FIG. 1;  
FIG. 3 is a Back view of the LED party light with battery as shown in FIG. 1;  
FIG. 4 is a Right-side view of the LED party light with battery as shown in FIG. 1;  
FIG. 5 is a Left-side view of the LED party light with battery as shown in FIG. 1;  
FIG. 6 is a Top view of the LED party light with battery as shown in FIG. 1; and,  
FIG. 7 is a Bottom view of the LED party light with battery as shown in FIG. 1.

**1 Claim, 7 Drawing Sheets**



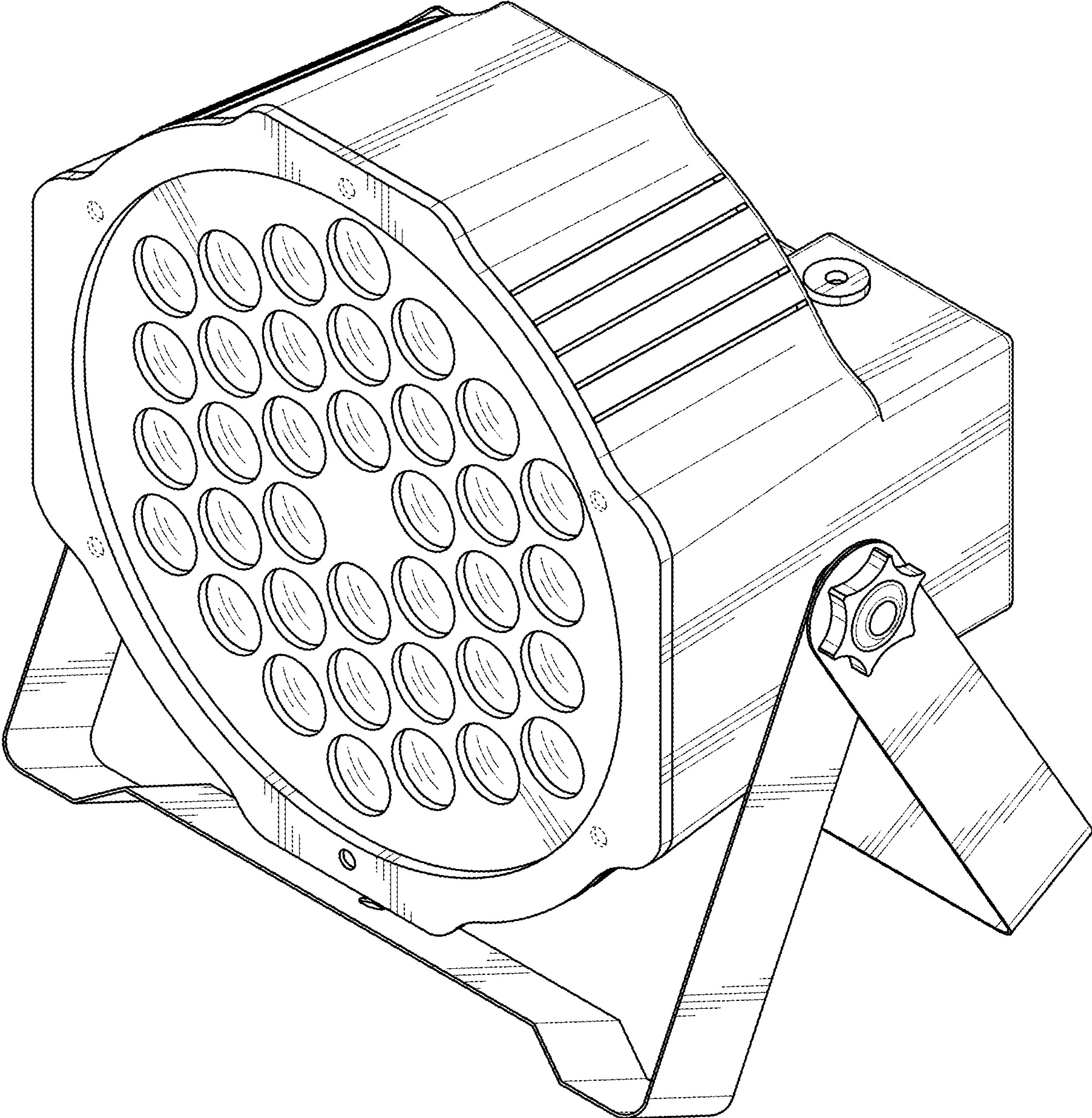


FIG. 1

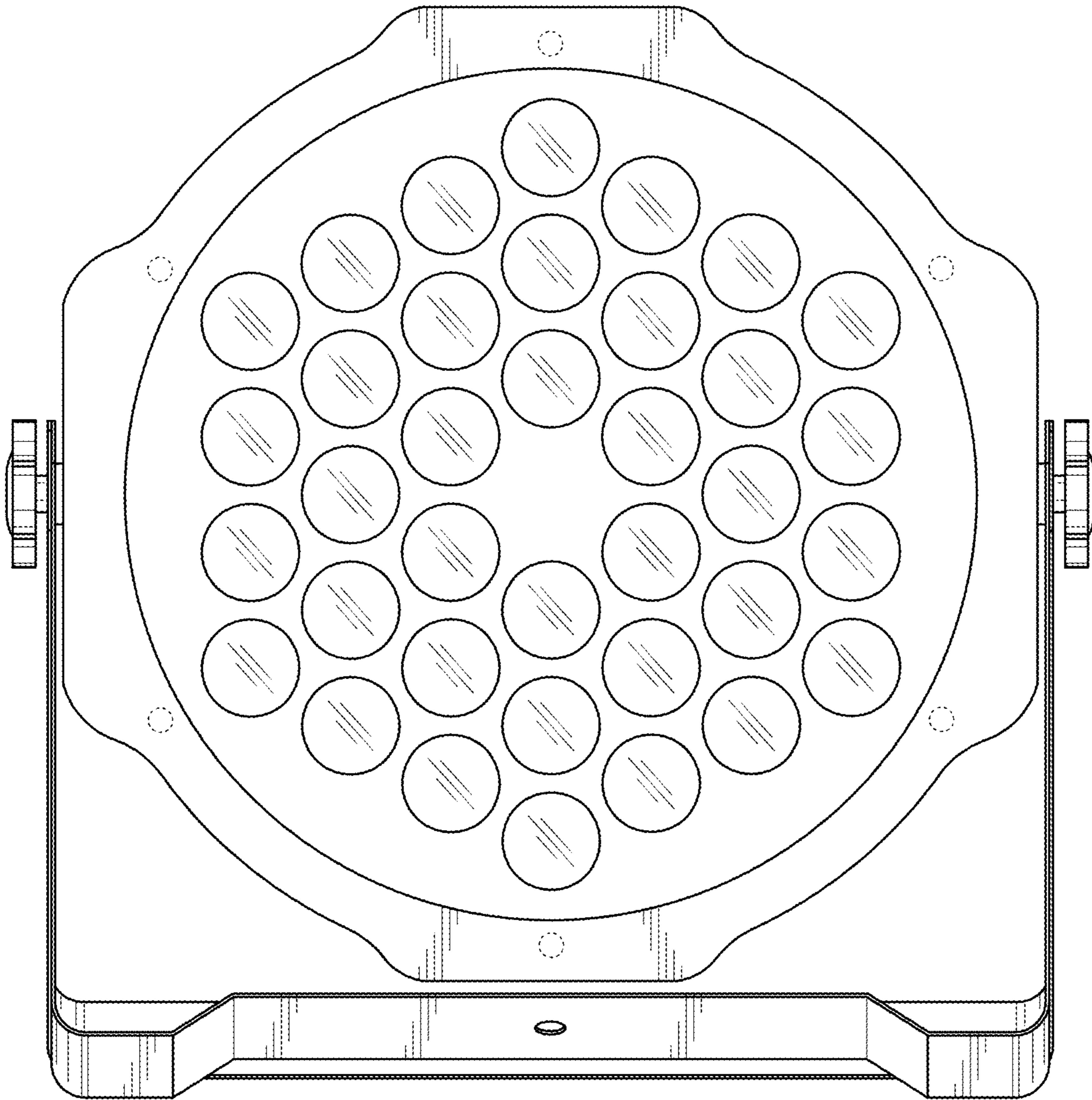


FIG. 2

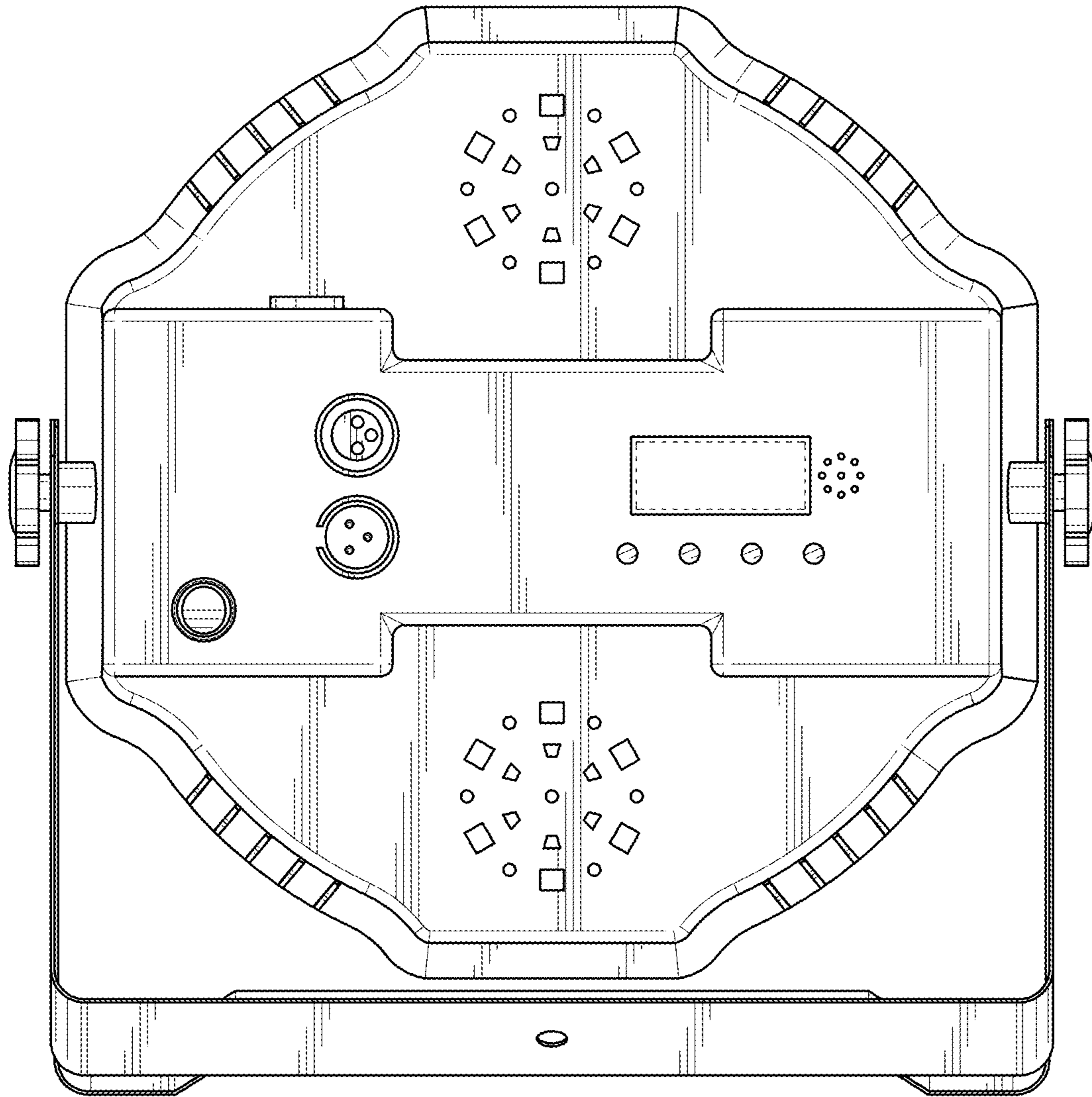


FIG. 3

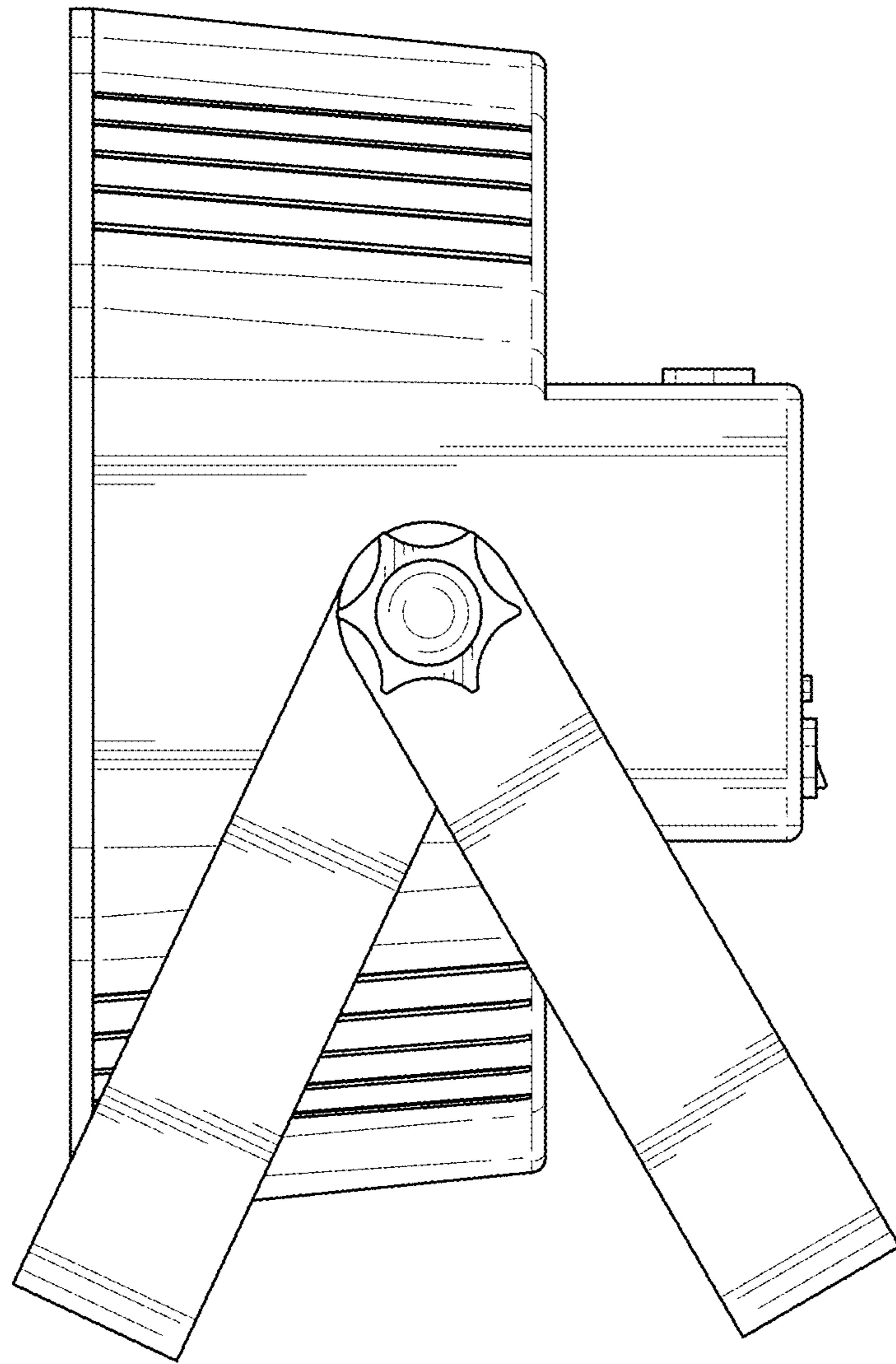


FIG. 4

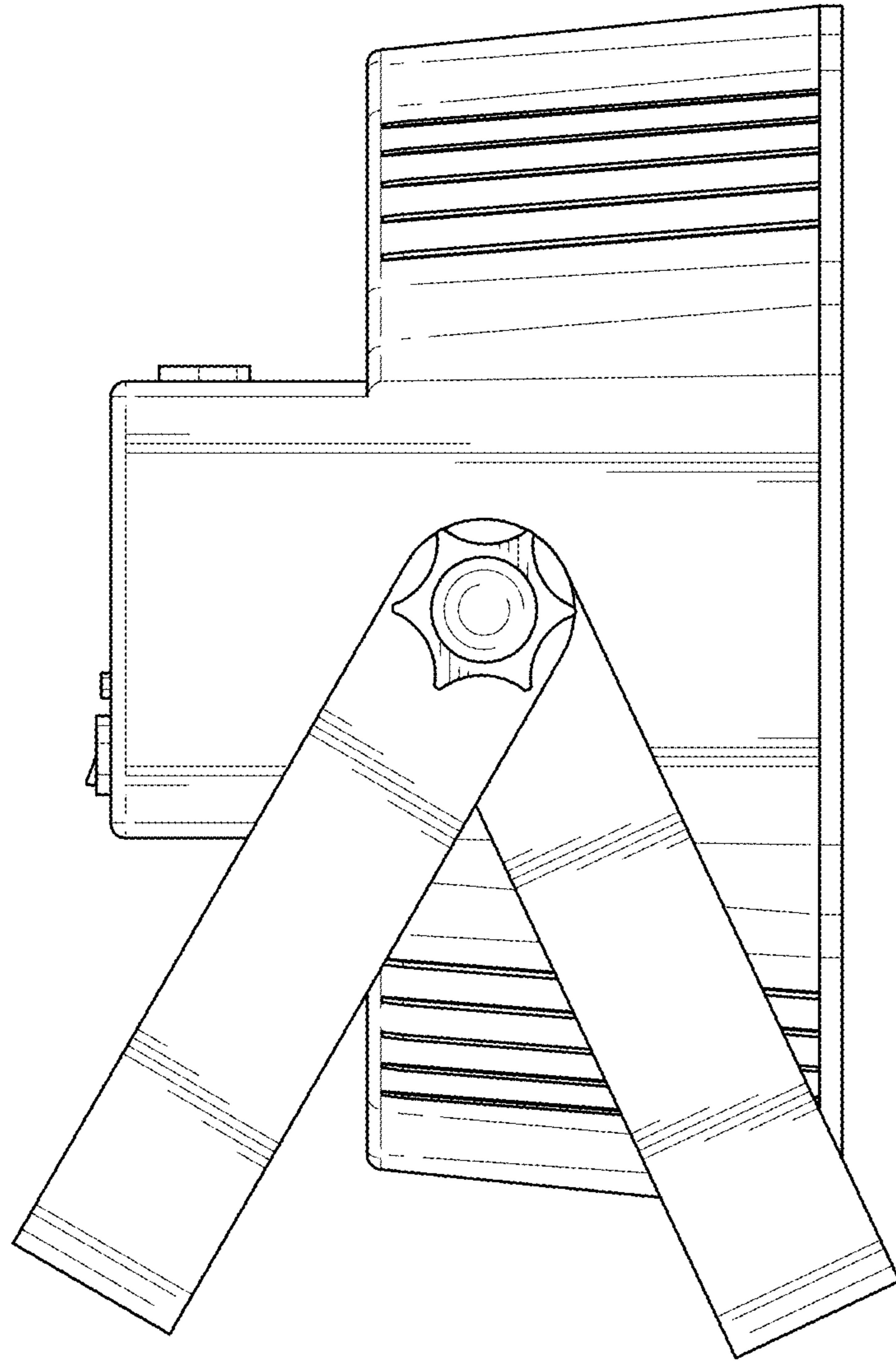


FIG. 5

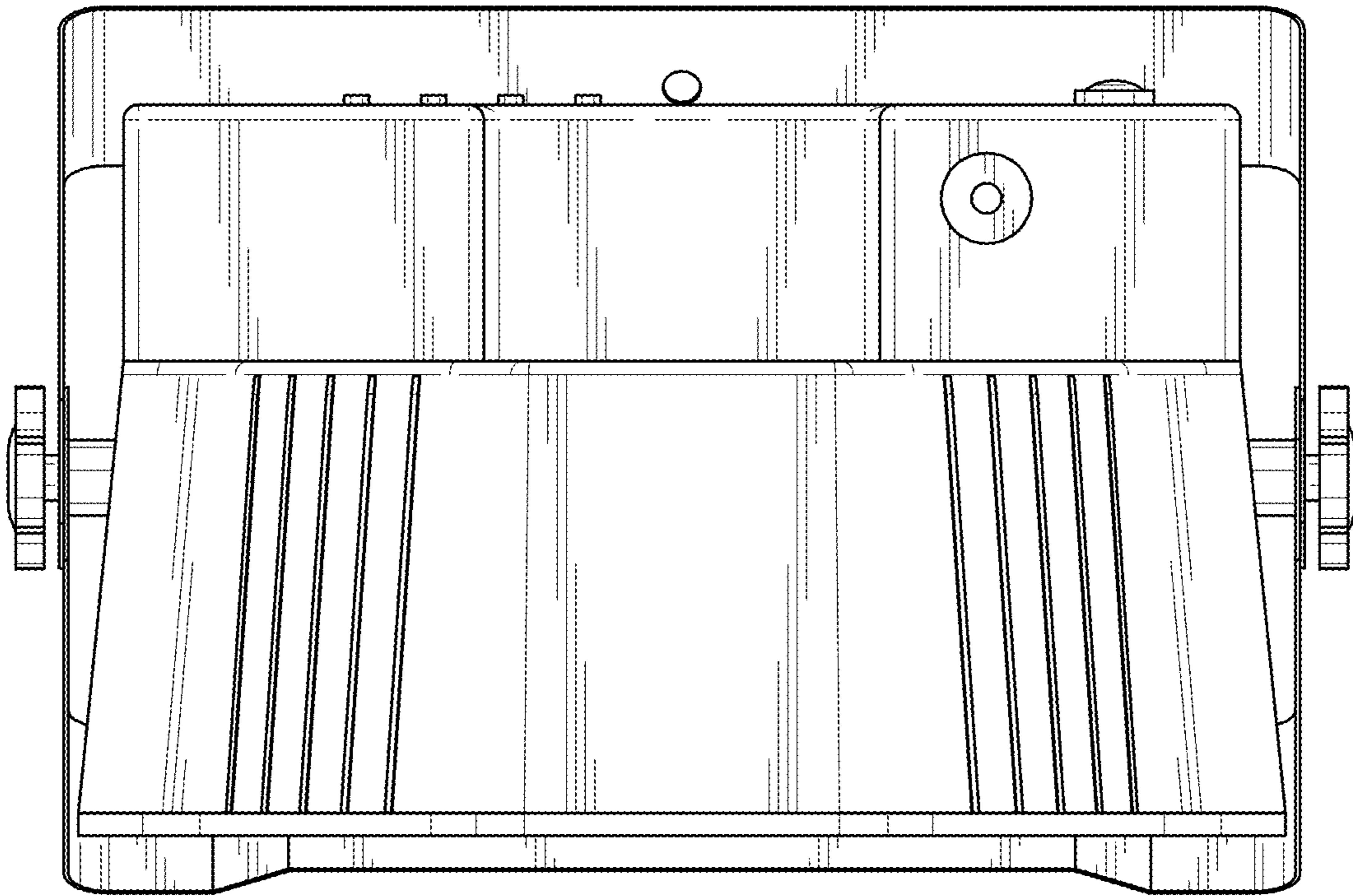


FIG. 6

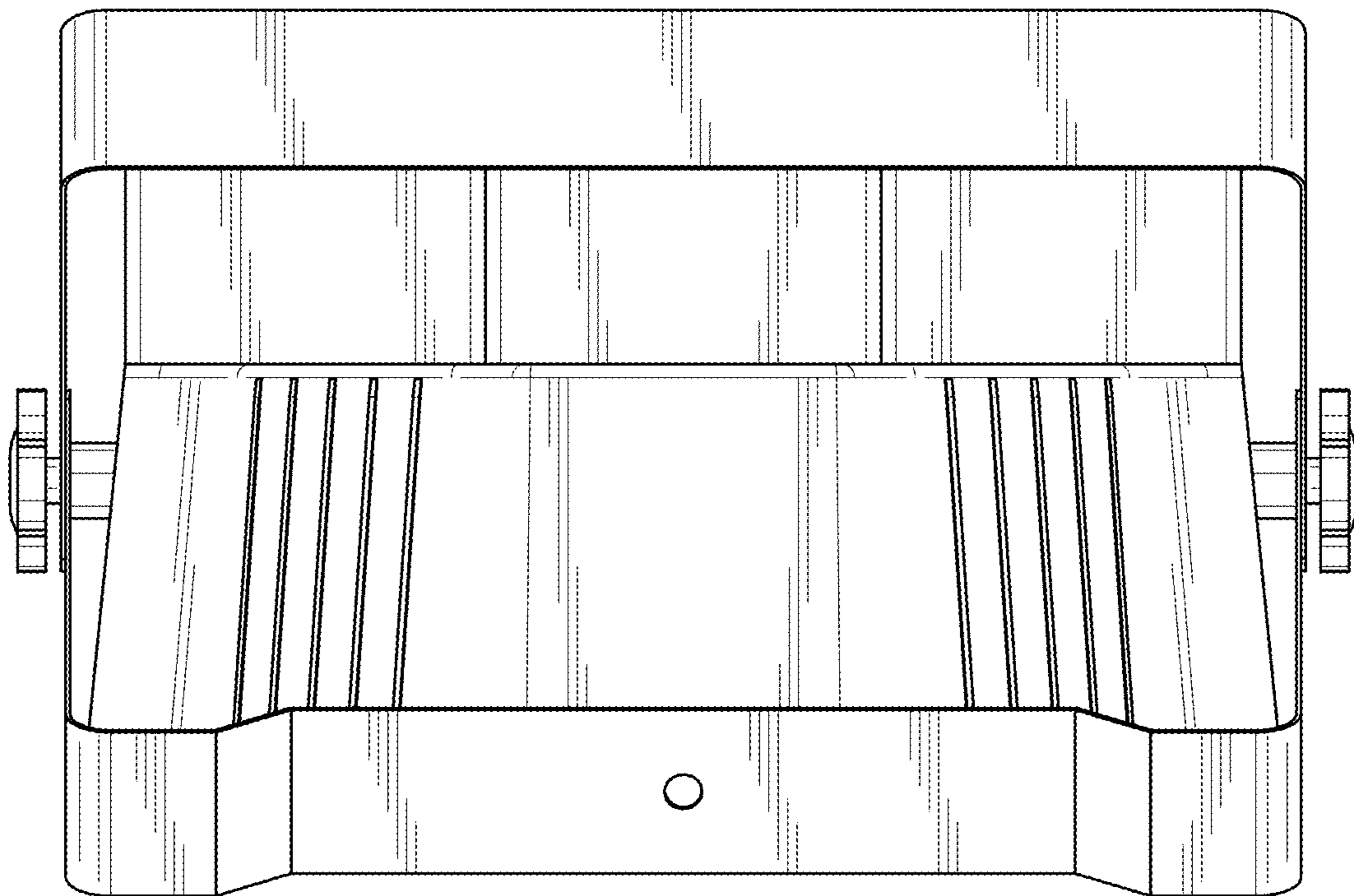


FIG. 7