



US00D911567S

(12) **United States Design Patent** (10) **Patent No.:** **US D911,567 S**
Lv (45) **Date of Patent:** **** Feb. 23, 2021**

(54) **CIRCULAR PARTY LIGHT**
(71) Applicant: **Longchao Lv**, Henan (CN)
(72) Inventor: **Longchao Lv**, Henan (CN)
(**) Term: **15 Years**
(21) Appl. No.: **29/697,753**
(22) Filed: **Jul. 11, 2019**
(51) **LOC (13) Cl.** **26-03**
(52) **U.S. Cl.**
USPC **D26/63**
(58) **Field of Classification Search**
USPC D26/61, 63, 65
CPC F21V 21/14; F21V 21/00; F21V 14/00;
F21V 15/01; F21V 14/02; F21V 21/30;
F21S 8/003; F21Y 2105/001
See application file for complete search history.

D854,212 S * 7/2019 Yuan D26/63
D880,036 S * 3/2020 Qiu D26/63
D899,655 S * 10/2020 Zhang D26/63
D899,657 S * 10/2020 You D26/63

* cited by examiner

Primary Examiner — Brian N. Vinson
(74) *Attorney, Agent, or Firm* — Rumit Ranjit Kanakia

(57) **CLAIM**

I claim the ornamental design for a circular party light, as shown and described.

DESCRIPTION

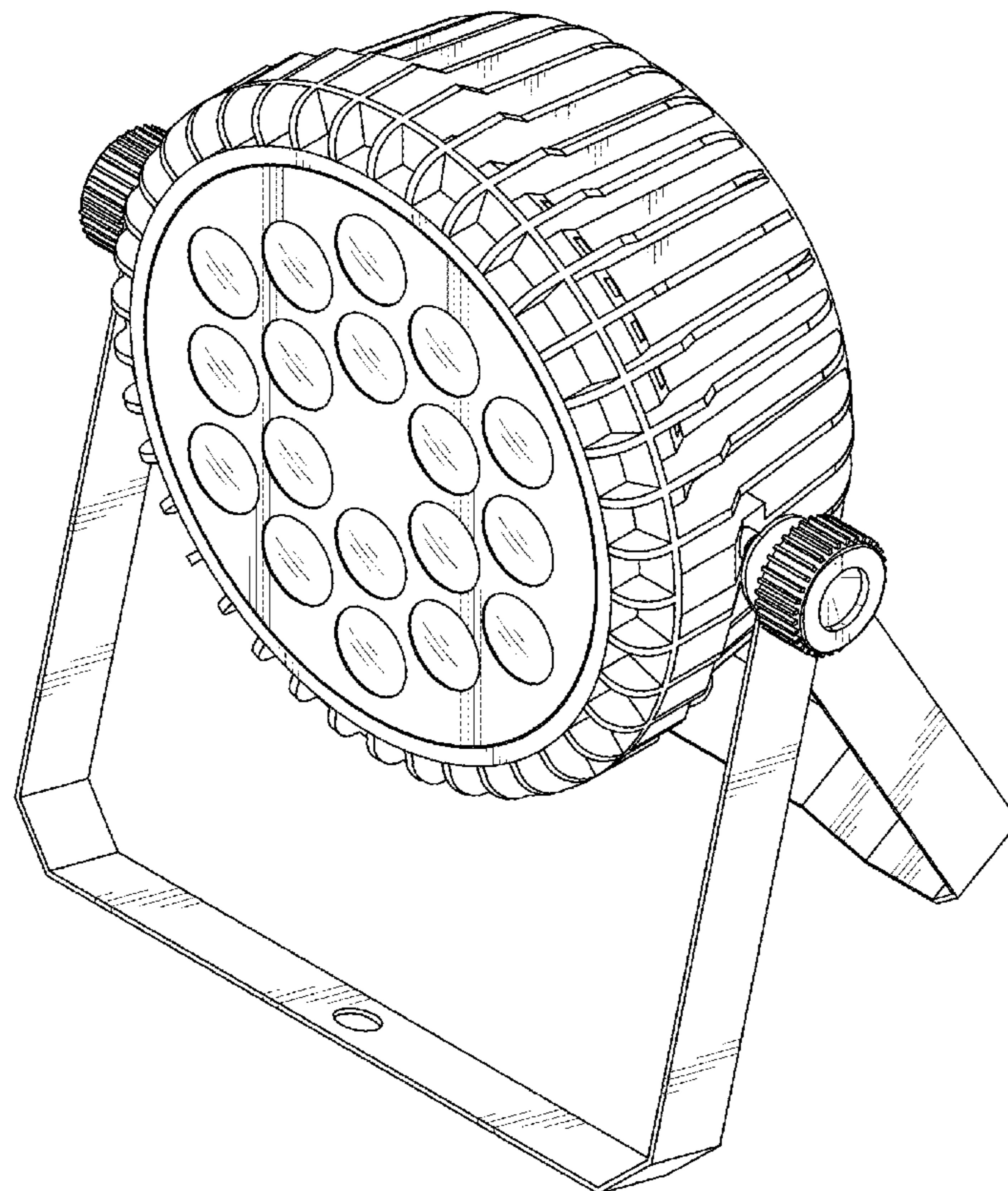
FIG. 1 is a perspective view of a circular party light showing my new design;
FIG. 2 is a front view of the circular party light as shown in FIG. 1;
FIG. 3 is a back view of the circular party light as shown in FIG. 1;
FIG. 4 is a right-side view of the circular party light as shown in FIG. 1;
FIG. 5 is a left-side view of the circular party light as shown in FIG. 1;
FIG. 6 is a top view of the circular party light as shown in FIG. 1; and,
FIG. 7 is a bottom view of the circular party light as shown in FIG. 1.

(56) **References Cited**

U.S. PATENT DOCUMENTS

7,914,162 B1 * 3/2011 Huang F21S 45/60
362/92
7,988,346 B2 * 8/2011 Helms F21V 29/89
362/545
D689,232 S * 9/2013 Velazquez F21V 23/009
D26/63
D694,928 S * 12/2013 Chen D26/63
D730,555 S * 5/2015 Gebhard D26/72
D844,207 S * 3/2019 Zhang D26/63

1 Claim, 7 Drawing Sheets



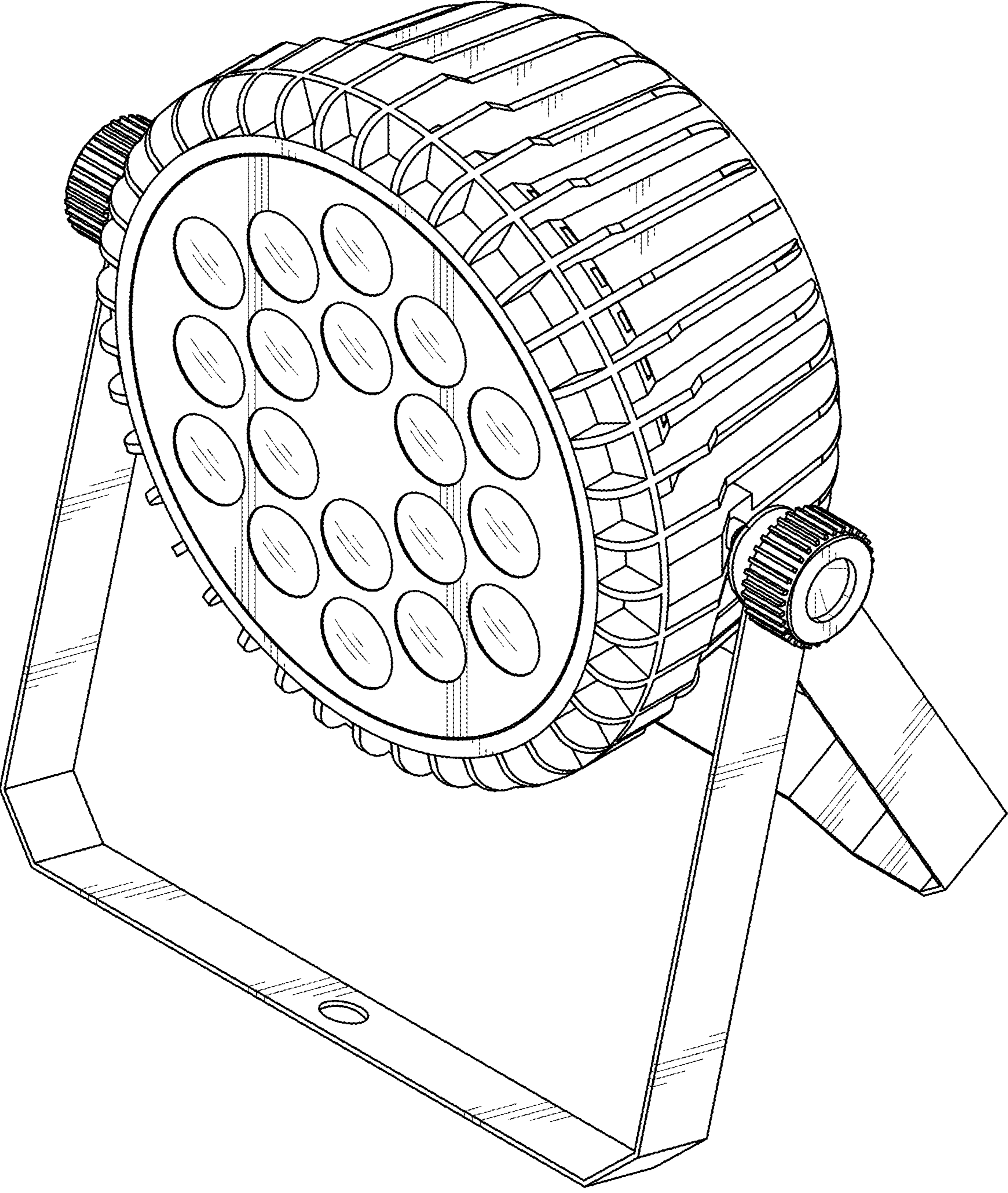


FIG. 1

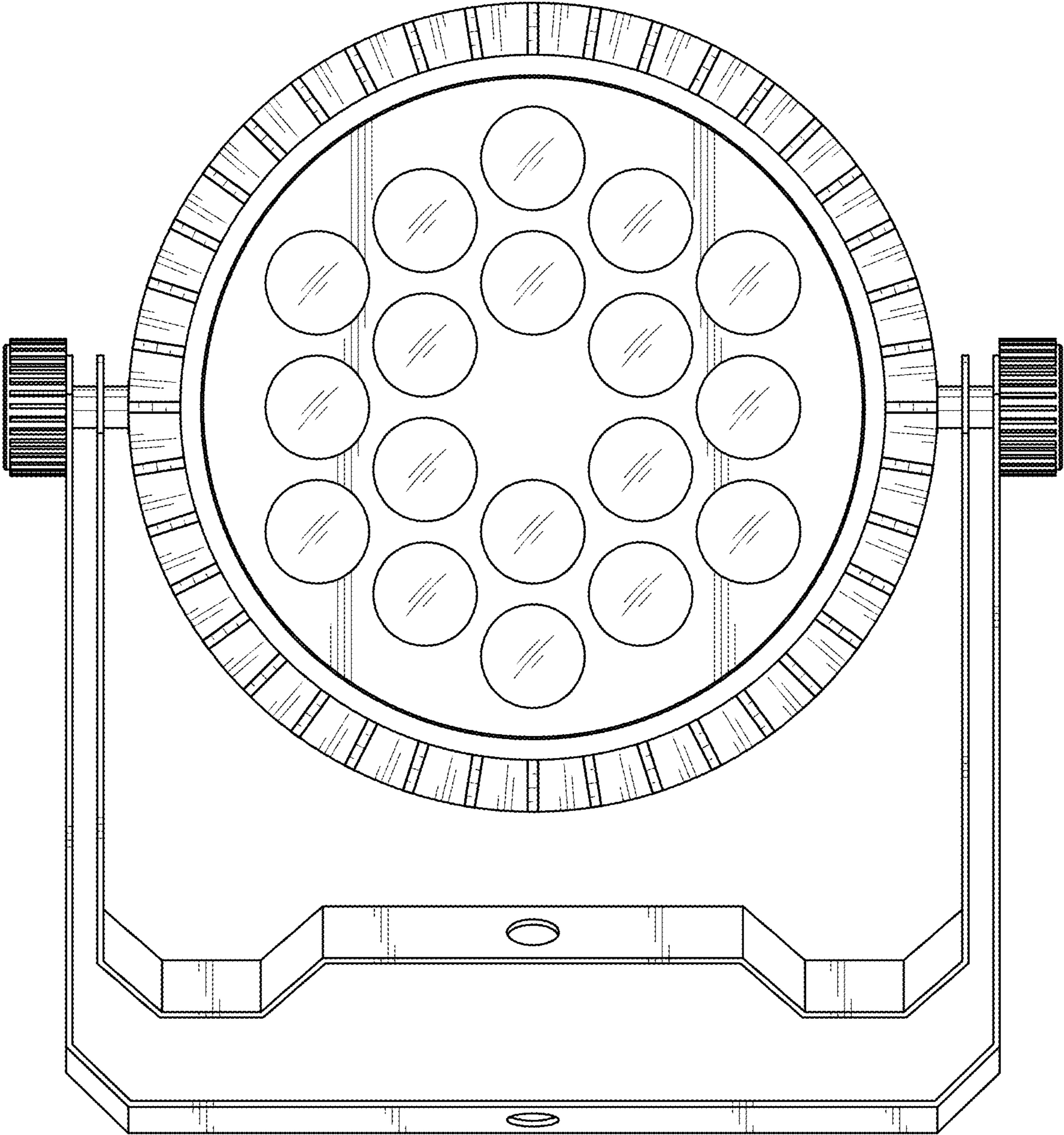


FIG. 2

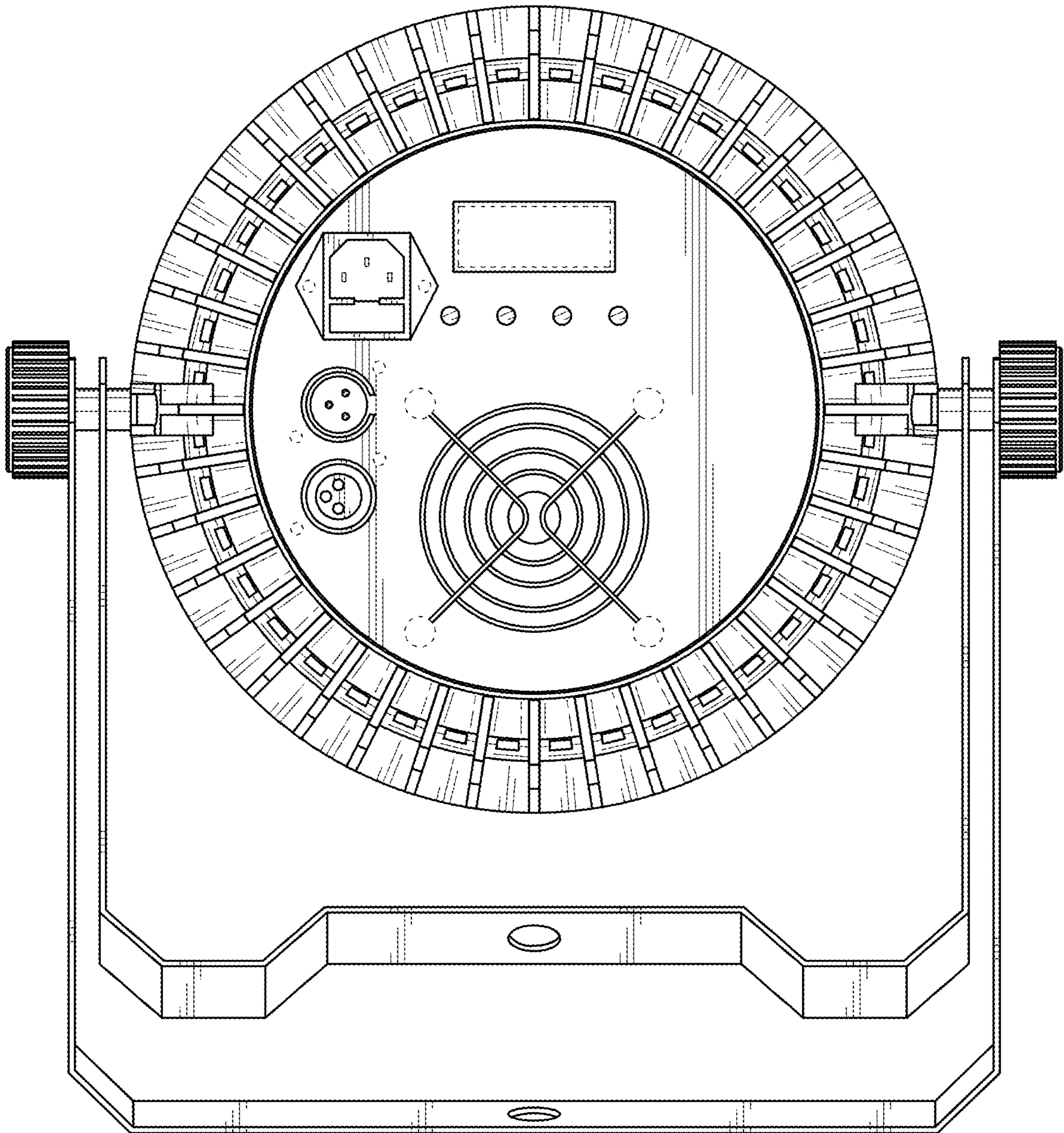


FIG. 3

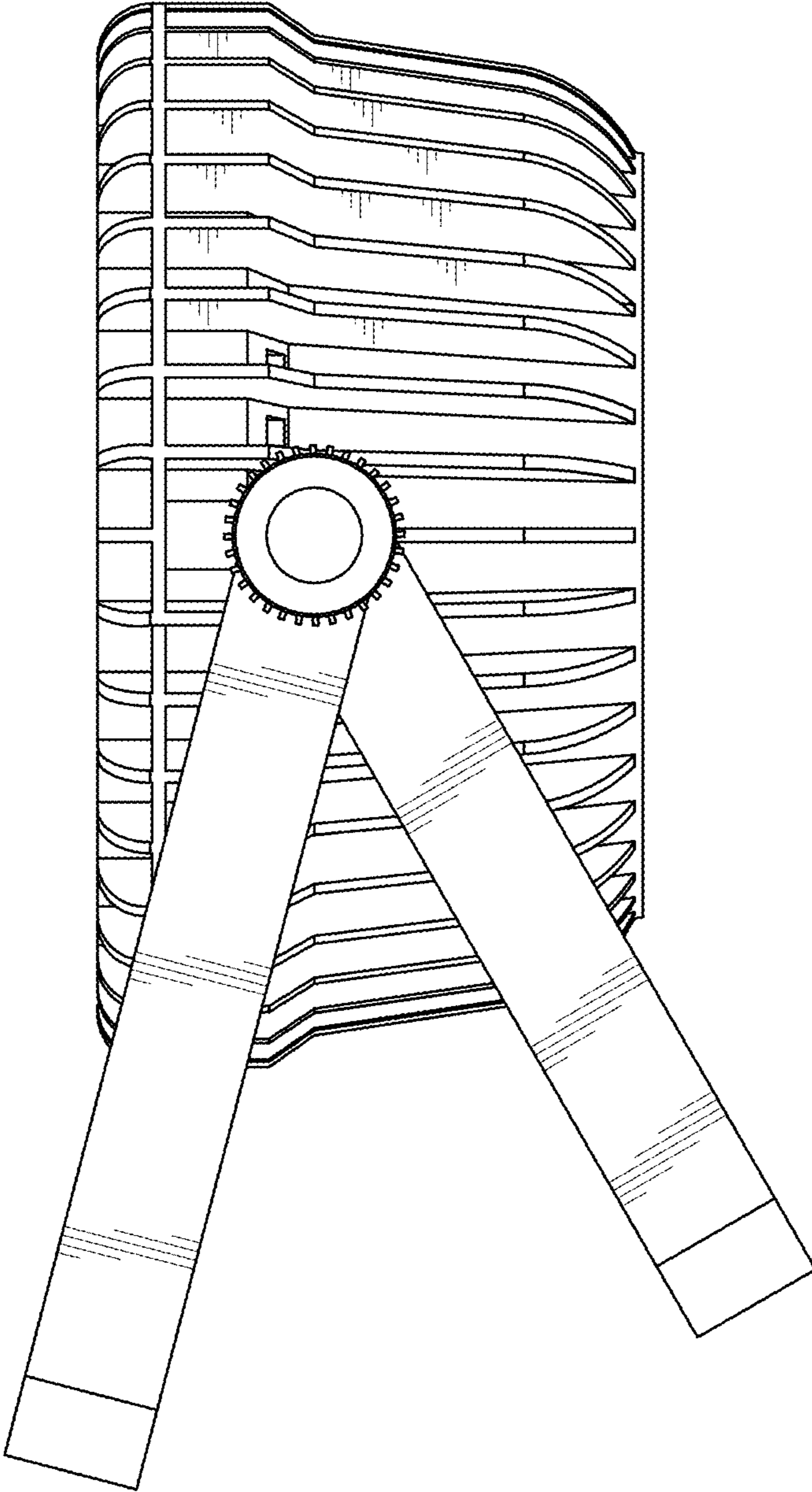


FIG. 4

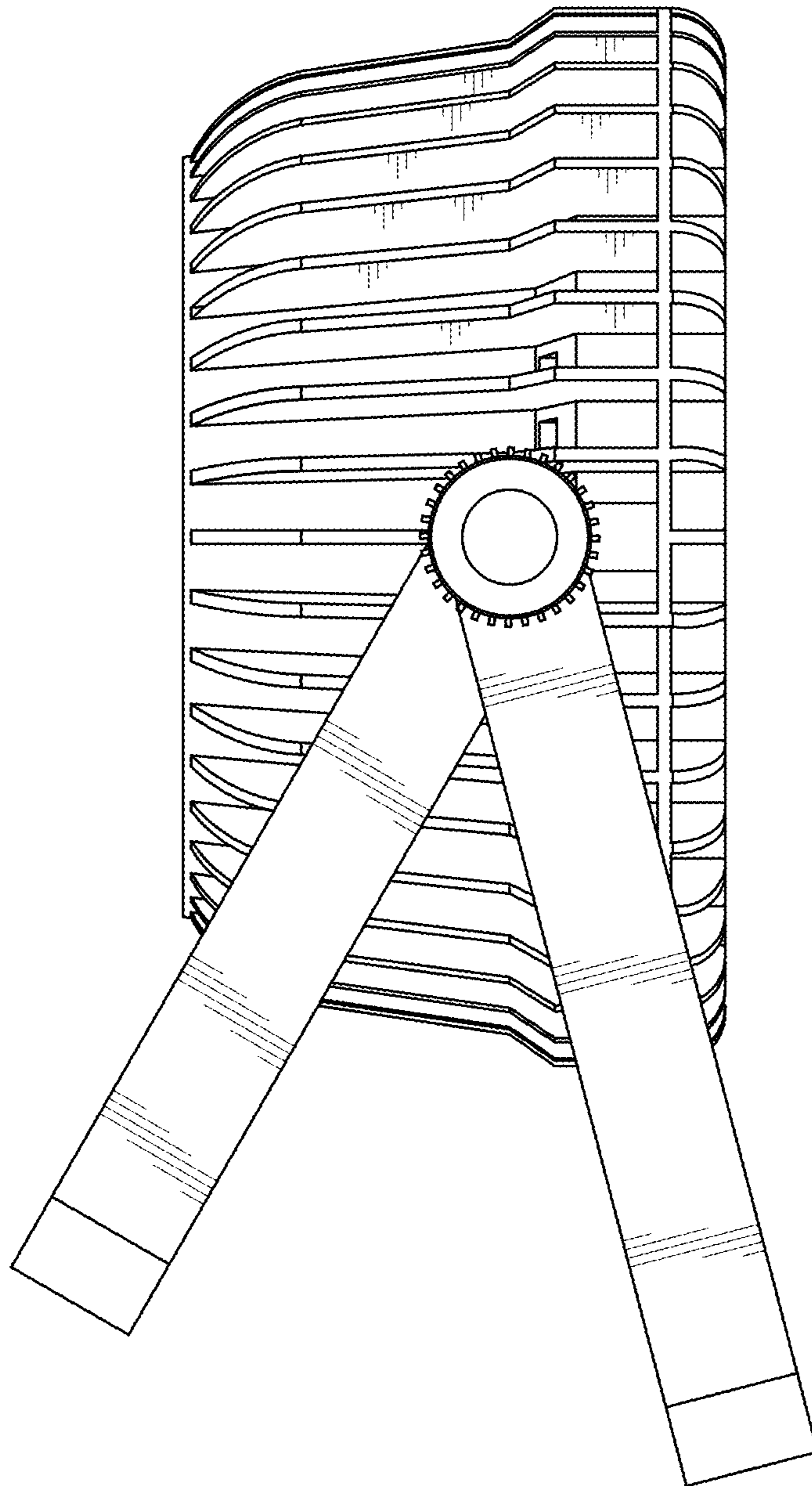


FIG. 5

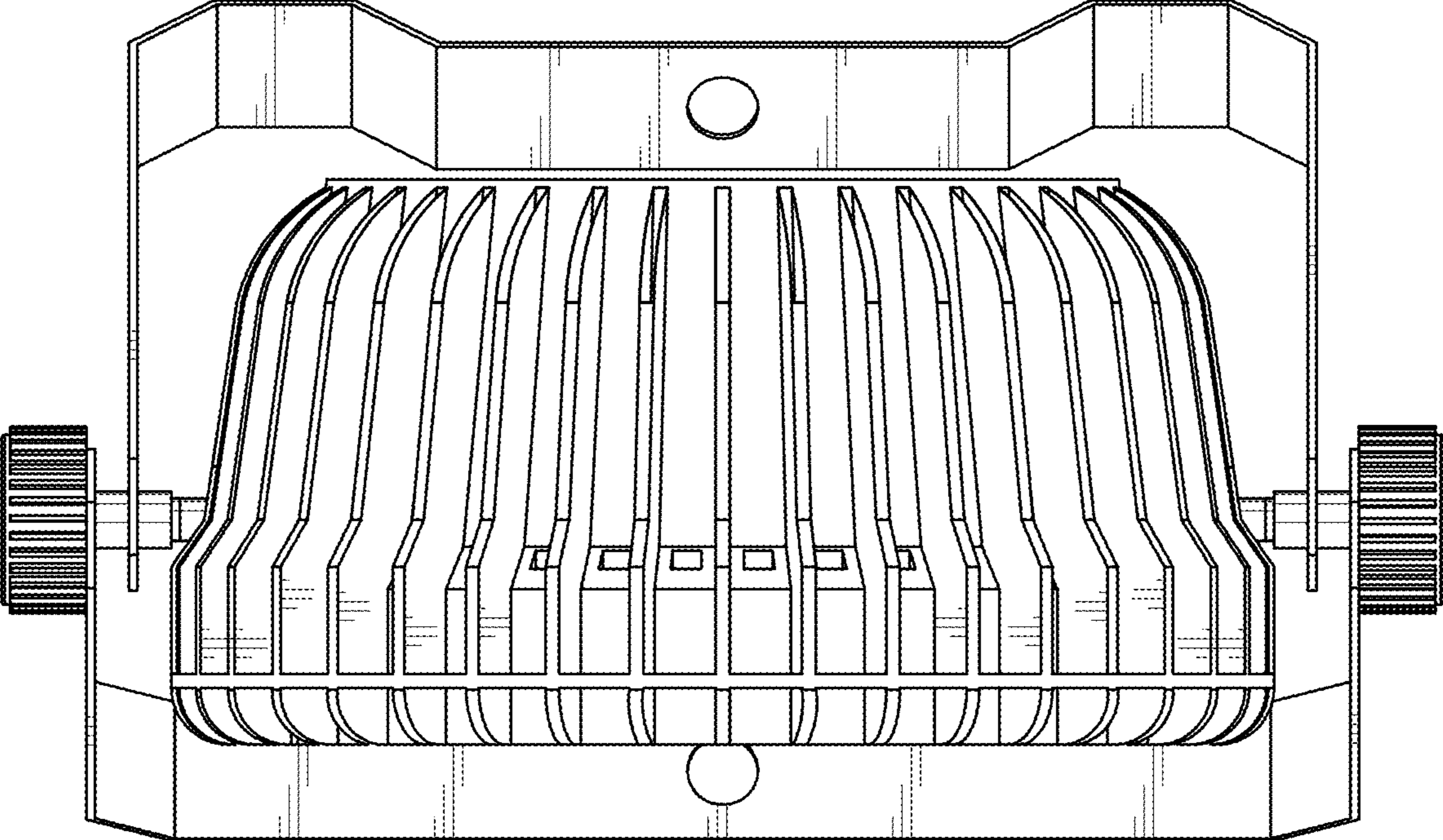


FIG. 6

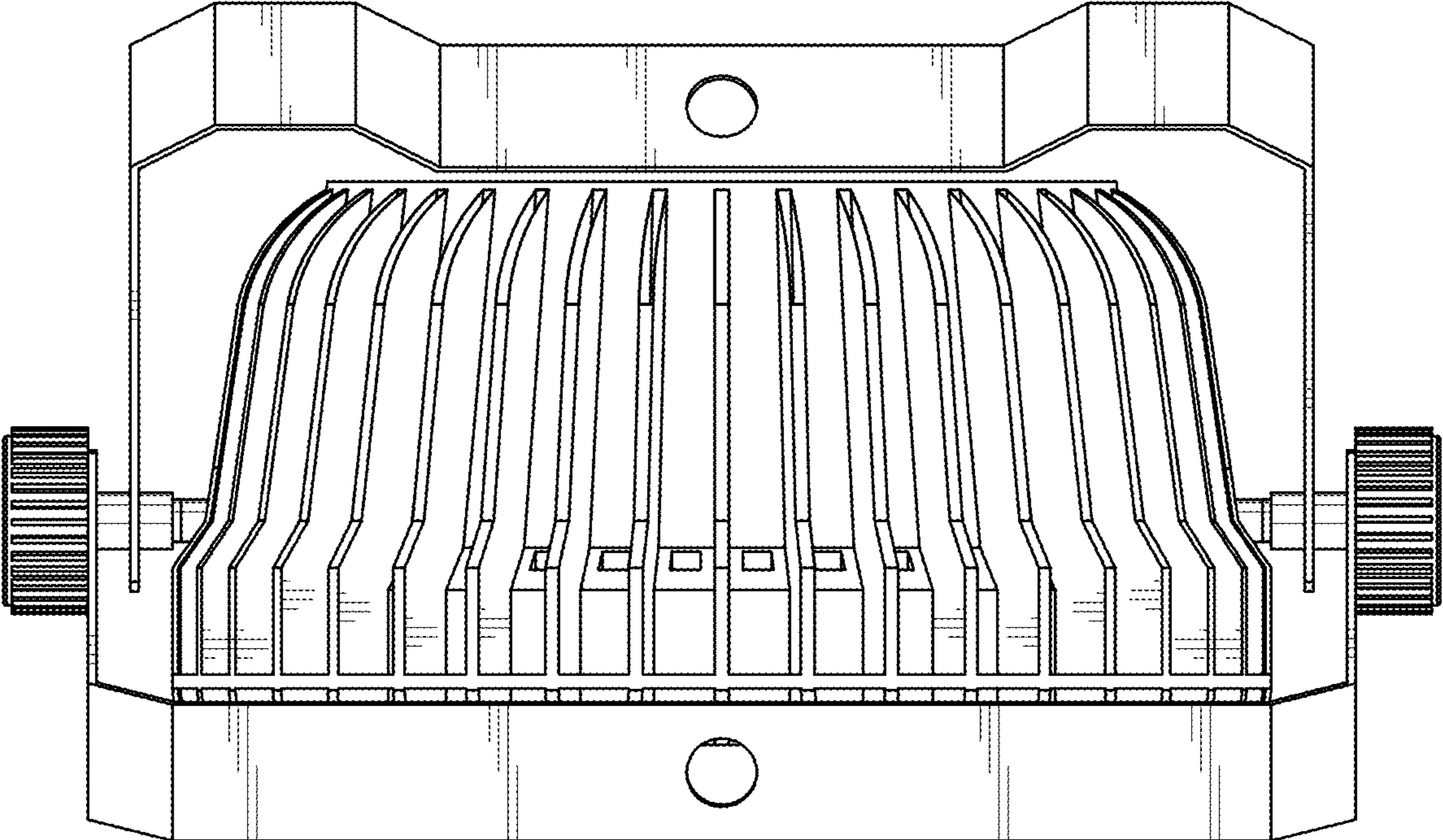


FIG. 7