



US00D911566S

(12) **United States Design Patent**
Lv

(10) **Patent No.: US D911,566 S**

(45) **Date of Patent: ** Feb. 23, 2021**

(54) **LED BEAM PATTERN MOVING HEAD LIGHT**

D859,715 S * 9/2019 Windom D26/63
D892,378 S * 8/2020 Windom D26/63
2015/0345762 A1* 12/2015 Creasman F21V 21/30
362/428

(71) Applicant: **Longchao Lv**, Henan (CN)

* cited by examiner

(72) Inventor: **Longchao Lv**, Henan (CN)

Primary Examiner — Brian N. Vinson

(**) Term: **15 Years**

(74) *Attorney, Agent, or Firm* — Rumit Ranjit Kanakia

(21) Appl. No.: **29/697,752**

(57) **CLAIM**

I claim the ornamental design for a LED beam pattern moving head light, as shown and described.

(22) Filed: **Jul. 11, 2019**

DESCRIPTION

(51) **LOC (13) Cl.** **26-03**

(52) **U.S. Cl.**
USPC **D26/63**

(58) **Field of Classification Search**
USPC D26/1, 24, 61, 63, 65, 85, 92, 118
CPC F21V 21/14; F21V 15/01; F21V 14/02;
F21V 21/30; F21V 21/00; F21V 14/00;
F21S 8/00; F21S 8/003; F21S 8/043;
F21Y 2105/001

See application file for complete search history.

FIG. 1 is a Perspective view of a LED beam pattern moving head light showing my new design;
FIG. 2 is a Front view of the LED beam pattern moving head light as shown in FIG. 1;
FIG. 3 is a Back view of the LED beam pattern moving head light as shown in FIG. 1;
FIG. 4 is a Right-side view of the LED beam pattern moving head light as shown in FIG. 1;
FIG. 5 is a Left-side view of the LED beam pattern moving head light as shown in FIG. 1;
FIG. 6 is a Top view of the LED beam pattern moving head light as shown in FIG. 1; and,
FIG. 7 is a Bottom view of the LED beam pattern moving head light as shown in FIG. 1.

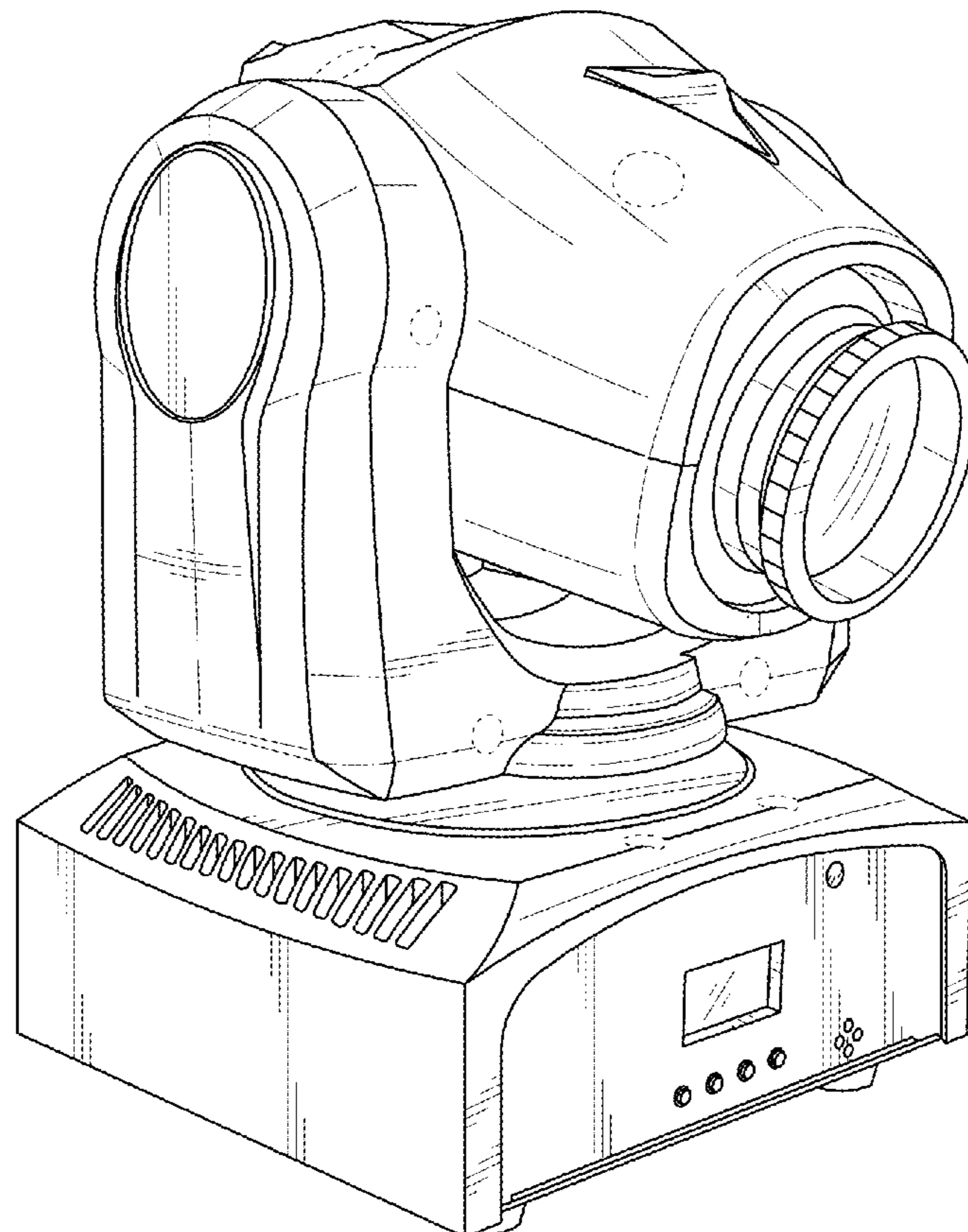
The broken line disclosure in the drawings represents portions of the article in which the claimed design is embodied, but which forms no part of the claimed design.

(56) **References Cited**

U.S. PATENT DOCUMENTS

D617,930 S * 6/2010 Chen D26/63
10,330,295 B1 * 6/2019 Uke F21V 19/0015
D855,231 S * 7/2019 Huang D26/63

1 Claim, 7 Drawing Sheets



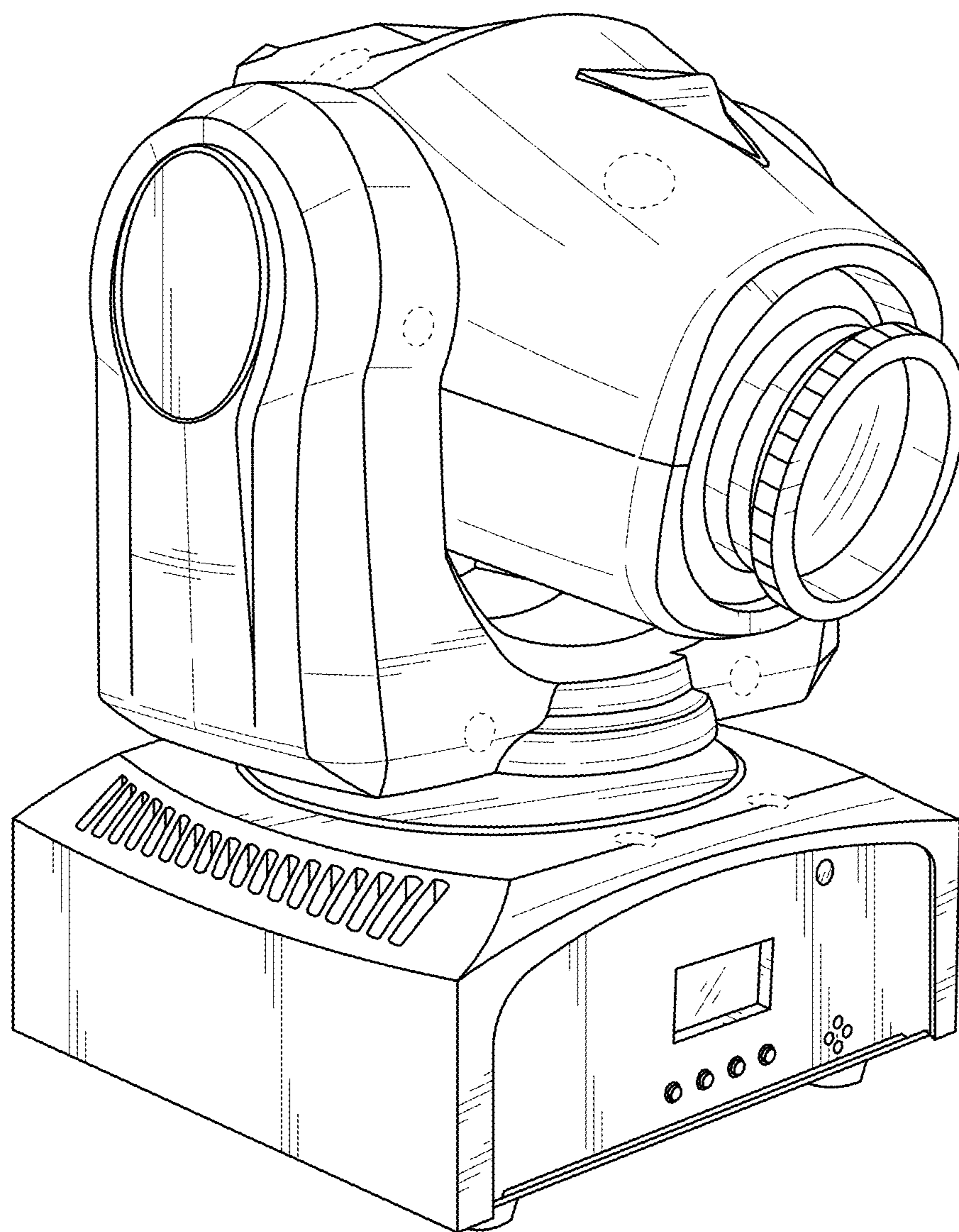


FIG. 1

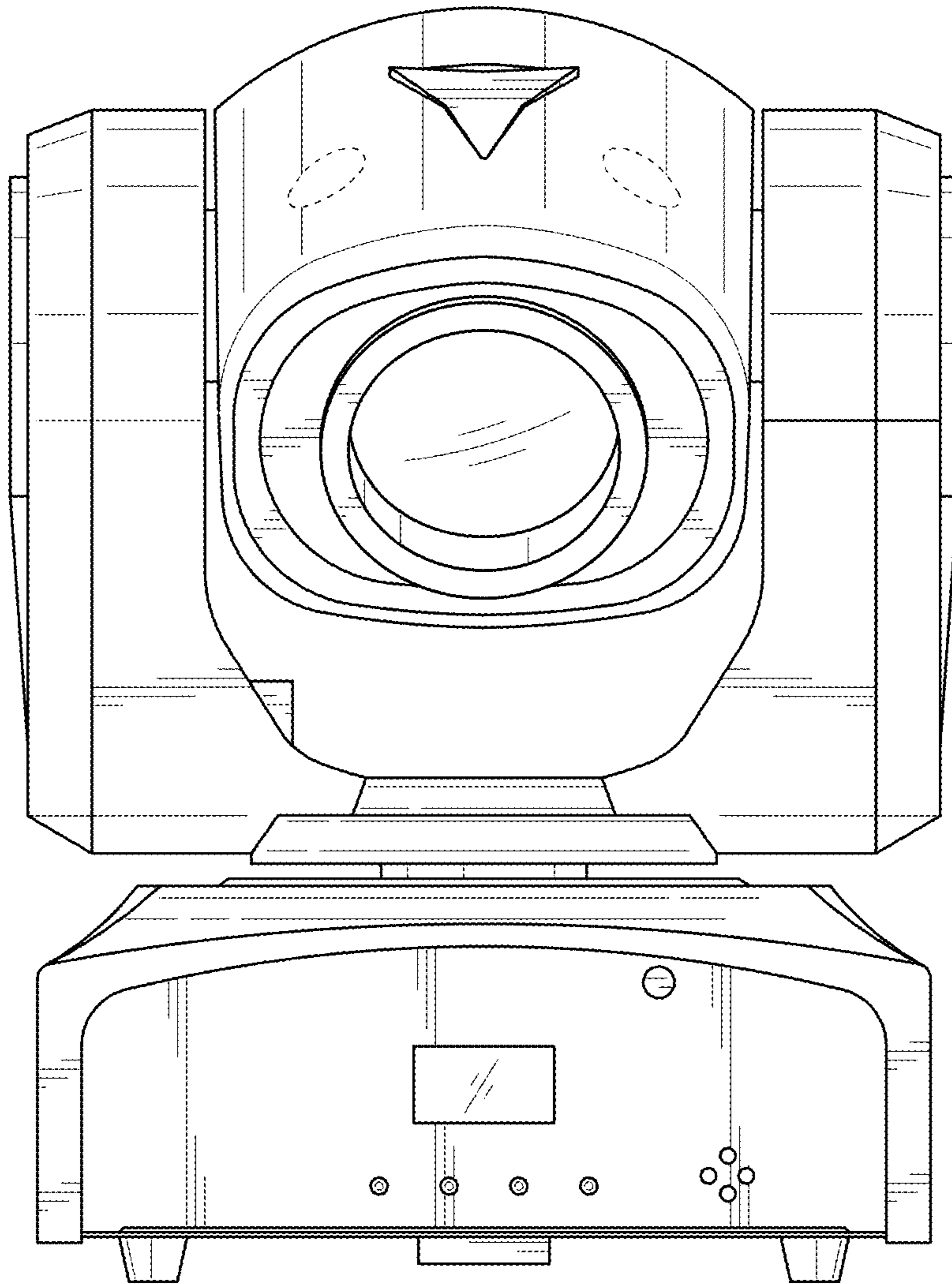


FIG. 2

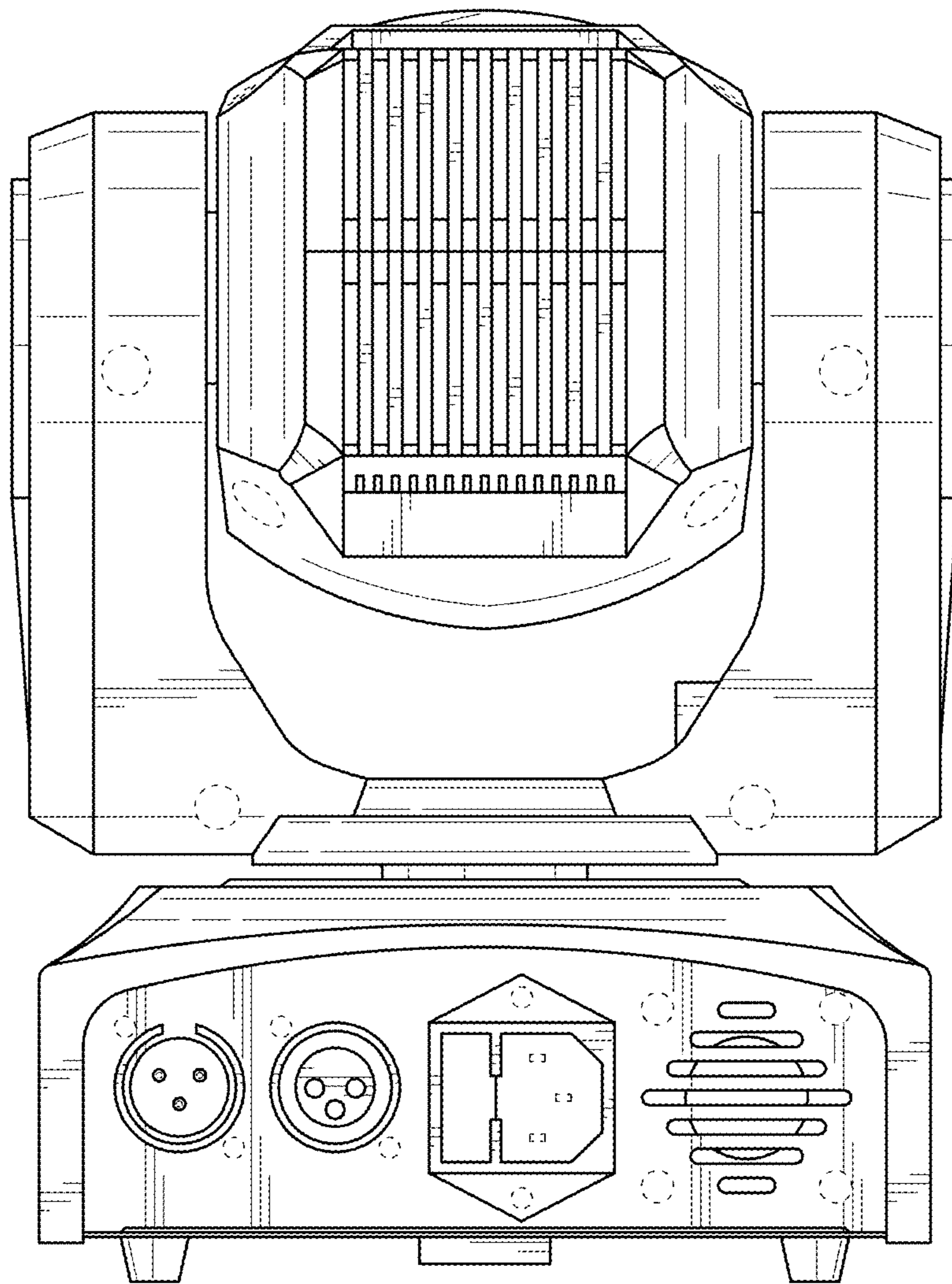


FIG. 3

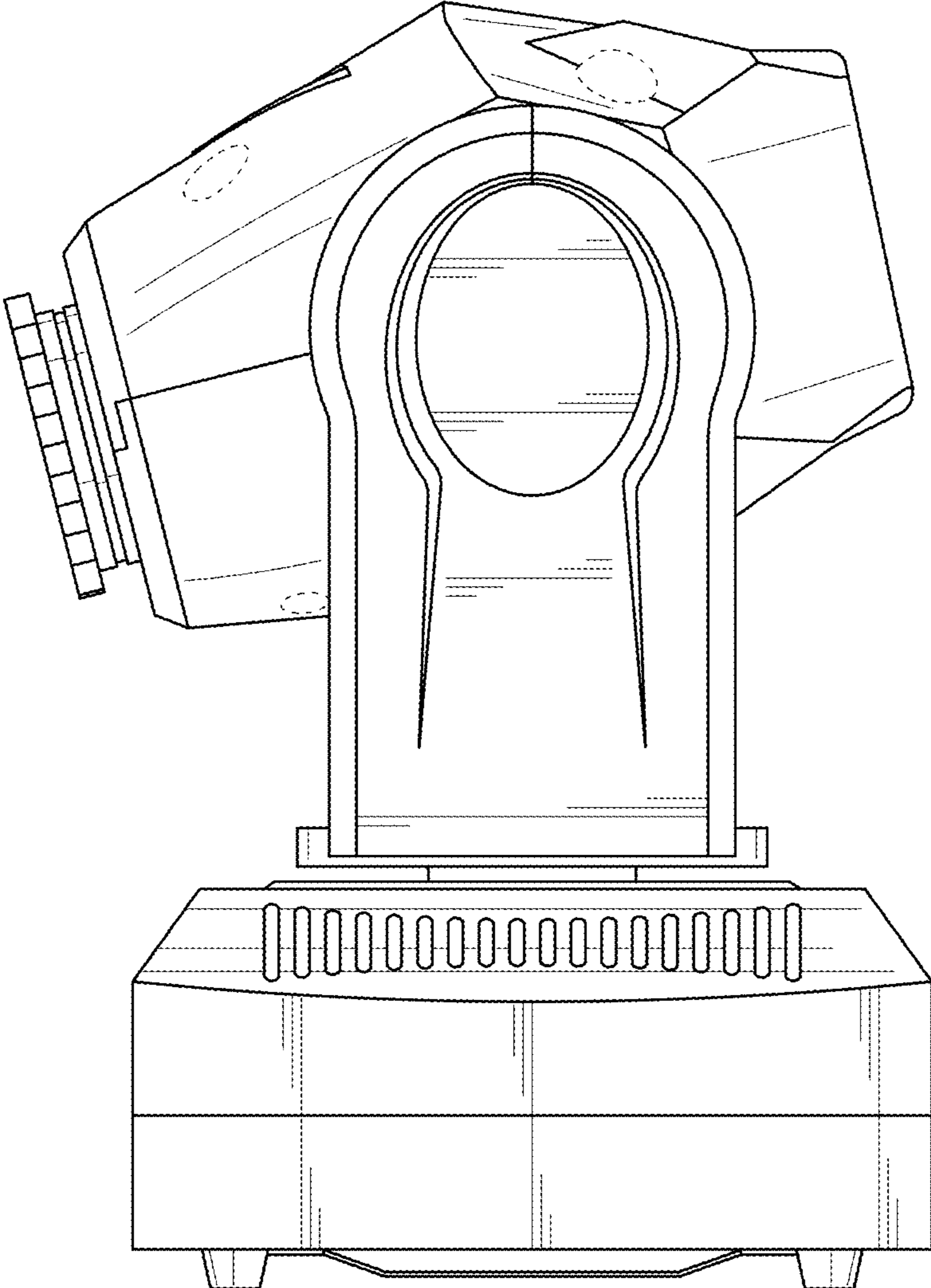


FIG. 4

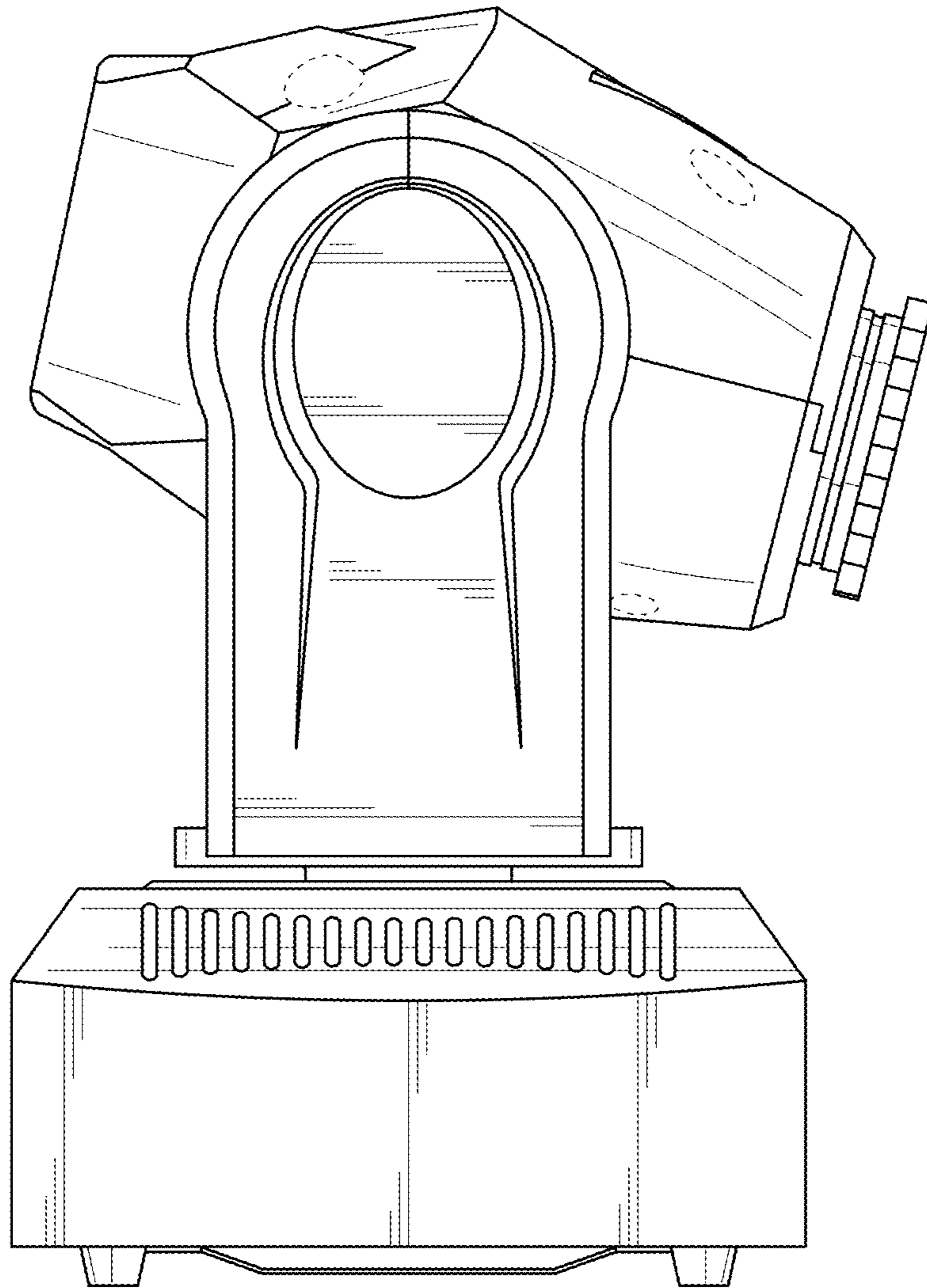


FIG. 5

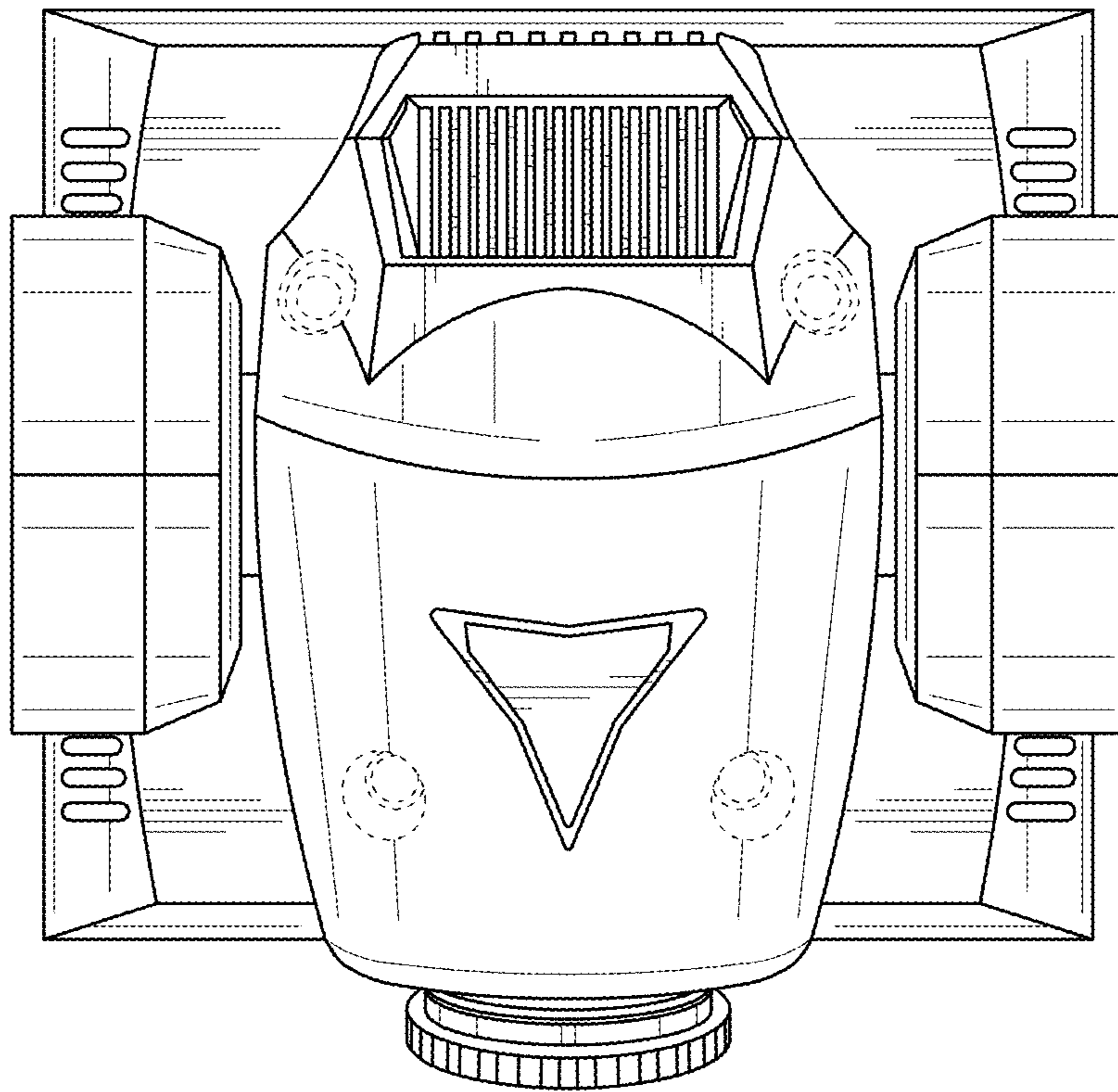


FIG. 6

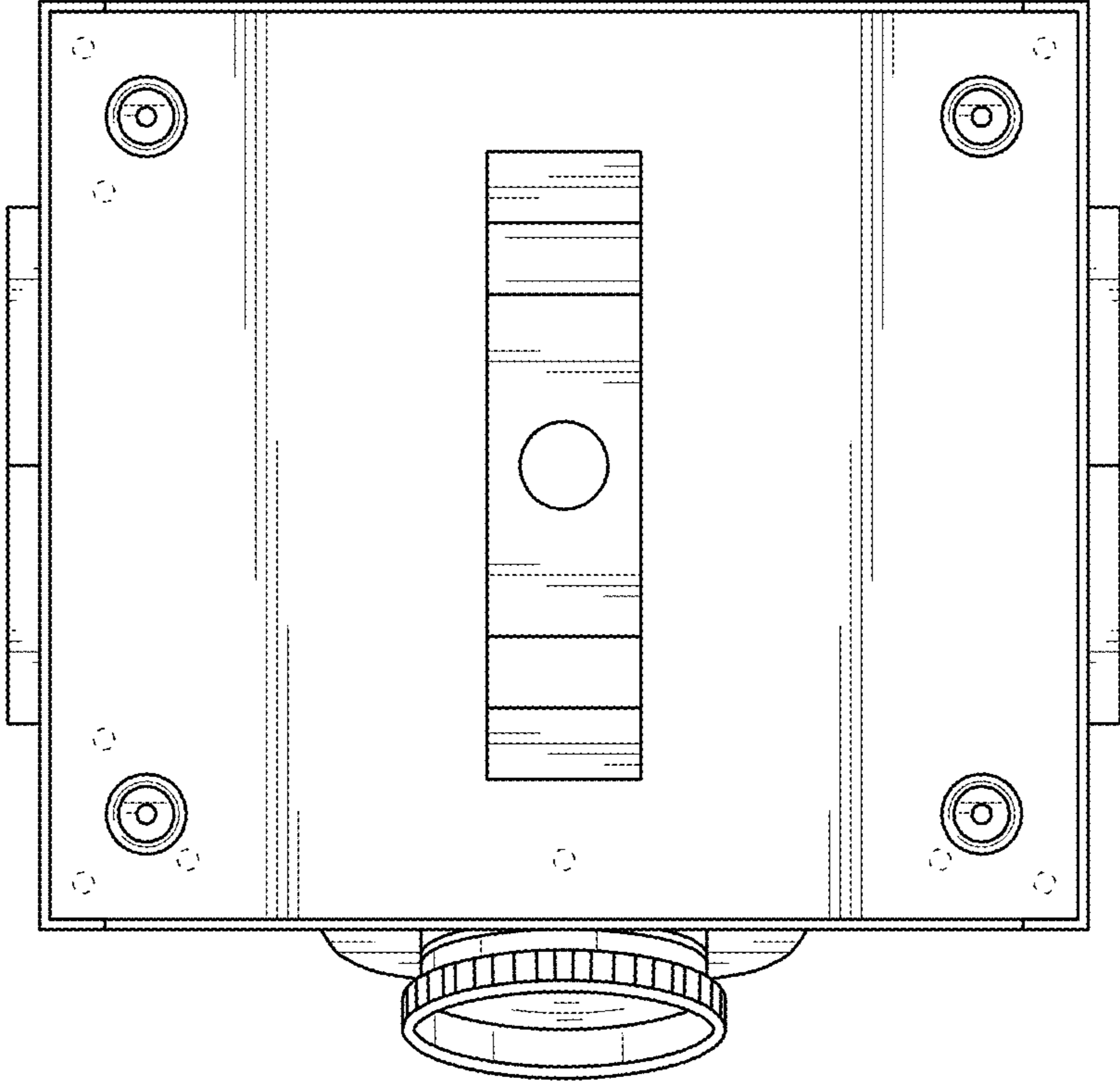


FIG. 7