



US00D911564S

(12) **United States Design Patent** (10) **Patent No.:** **US D911,564 S**
Wang (45) **Date of Patent:** **** Feb. 23, 2021**

(54) **HAND LAMP**

(71) Applicant: **Cheng-Yu Wang**, Zhushan Township,
Nantou County (TW)

(72) Inventor: **Cheng-Yu Wang**, Zhushan Township,
Nantou County (TW)

(**) Term: **15 Years**

(21) Appl. No.: **29/677,518**

(22) Filed: **Jan. 22, 2019**

(51) **LOC (13) Cl.** **26-02**

(52) **U.S. Cl.**
USPC **D26/37; D26/63**

(58) **Field of Classification Search**
USPC D26/37-51, 63
CPC F21L 2003/00; F21L 4/00; F21L 4/005;
F21L 4/02; F21L 4/025; F21L 4/027;
F21L 4/04; F21L 4/08; F21L 2005/00;
F21L 7/00; F21L 11/00; F21L 13/00;
F21L 13/04; F21L 13/08; F21L 14/02;
F21L 17/00; F21L 19/00; F21L 25/00
See application file for complete search history.

(56) **References Cited**

U.S. PATENT DOCUMENTS

D732,220 S * 6/2015 Bao D26/63
D735,387 S * 7/2015 Bao D26/63
D779,095 S * 2/2017 Xu D26/63
D779,096 S * 2/2017 Xu D26/63
9,951,930 B2 * 4/2018 Cacciabeve H02J 7/0047

10,006,614 B2 * 6/2018 Cramer F21V 21/0965
D835,315 S * 12/2018 Zhu D26/44
D835,820 S * 12/2018 Zhu D26/44
D840,071 S * 2/2019 Yuan D26/37
D840,072 S * 2/2019 Yuan D26/37
D866,027 S * 11/2019 Cacciabeve D26/37
D875,284 S * 2/2020 Cacciabeve D26/37
D877,948 S * 3/2020 Thompson D26/37

* cited by examiner

Primary Examiner — Shannon W Morgan
Assistant Examiner — Carissa C Fitts
(74) *Attorney, Agent, or Firm* — Egbert Law Offices,
PLLC

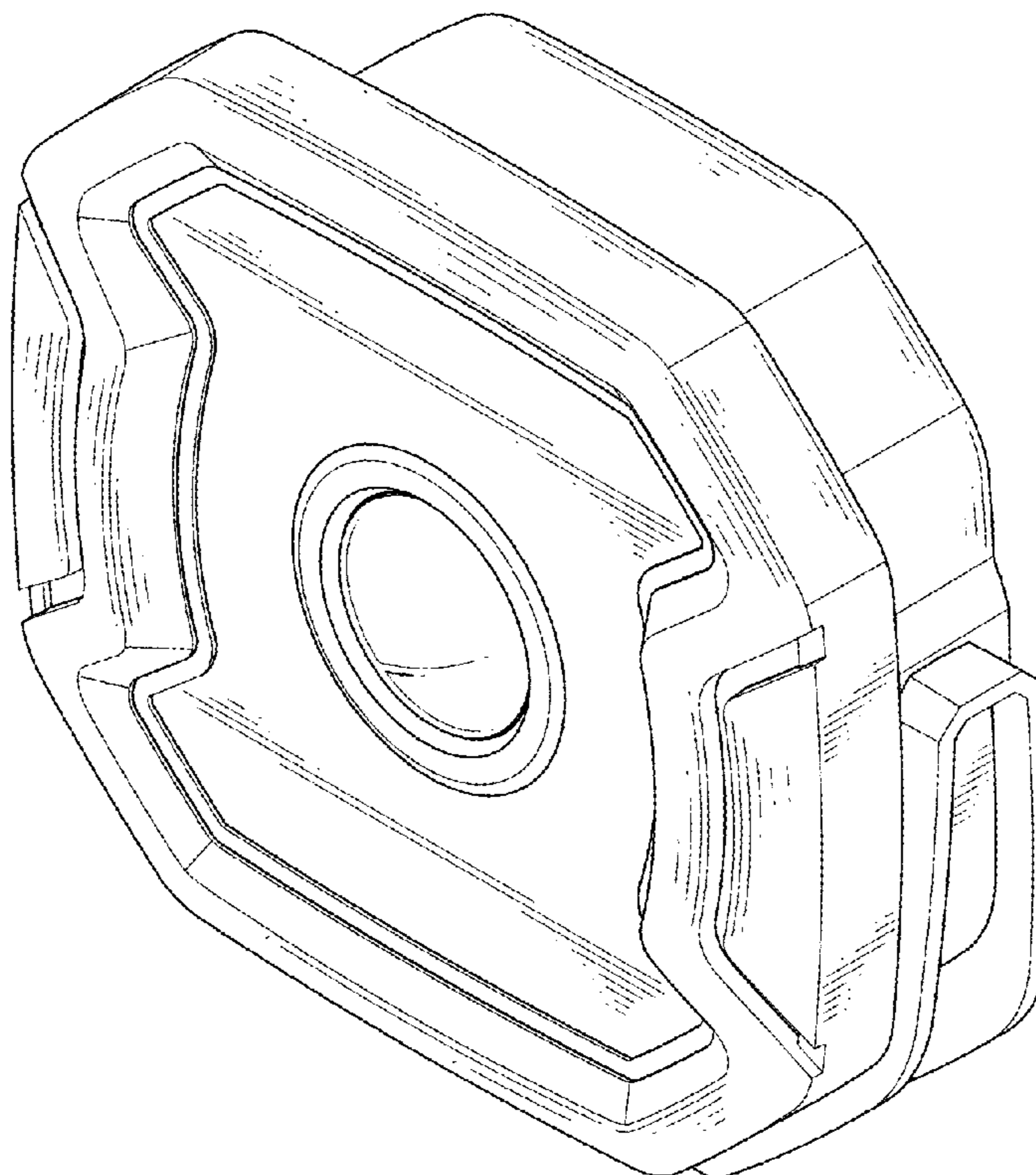
(57) **CLAIM**

The ornamental design for a hand lamp, as shown and described.

DESCRIPTION

FIG. 1 is a perspective view of a hand lamp showing my new design;
FIG. 2 is a front view thereof;
FIG. 3 is a rear view thereof;
FIG. 4 is a side view thereof;
FIG. 5 is an opposite side view thereof;
FIG. 6 is a top plan view thereof; and,
FIG. 7 is a bottom plan view thereof.
The broken line showing of the hand lamp is for the purpose of illustrating portions of the article and forms no part of the claimed design.

1 Claim, 7 Drawing Sheets



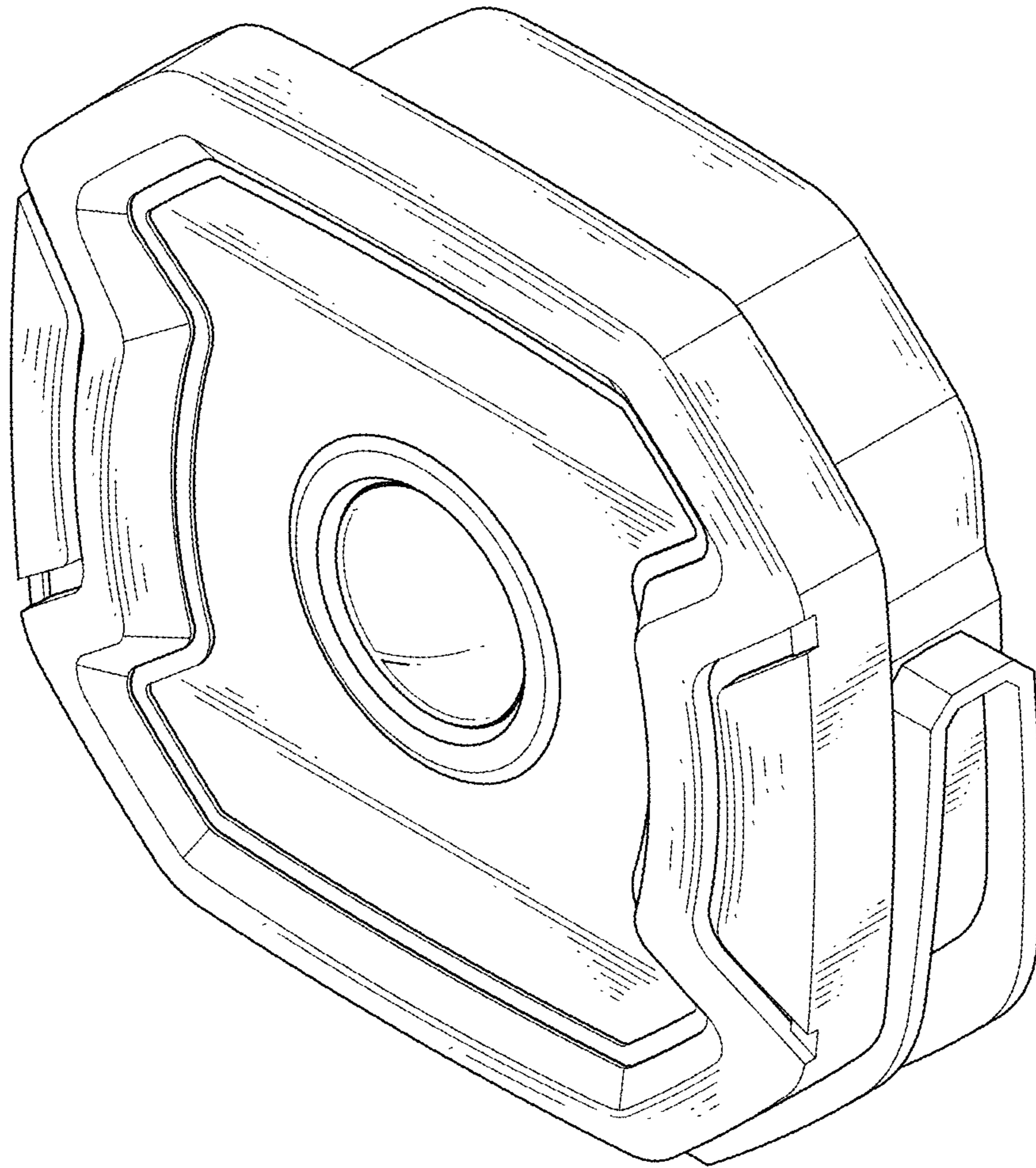


FIG. 1

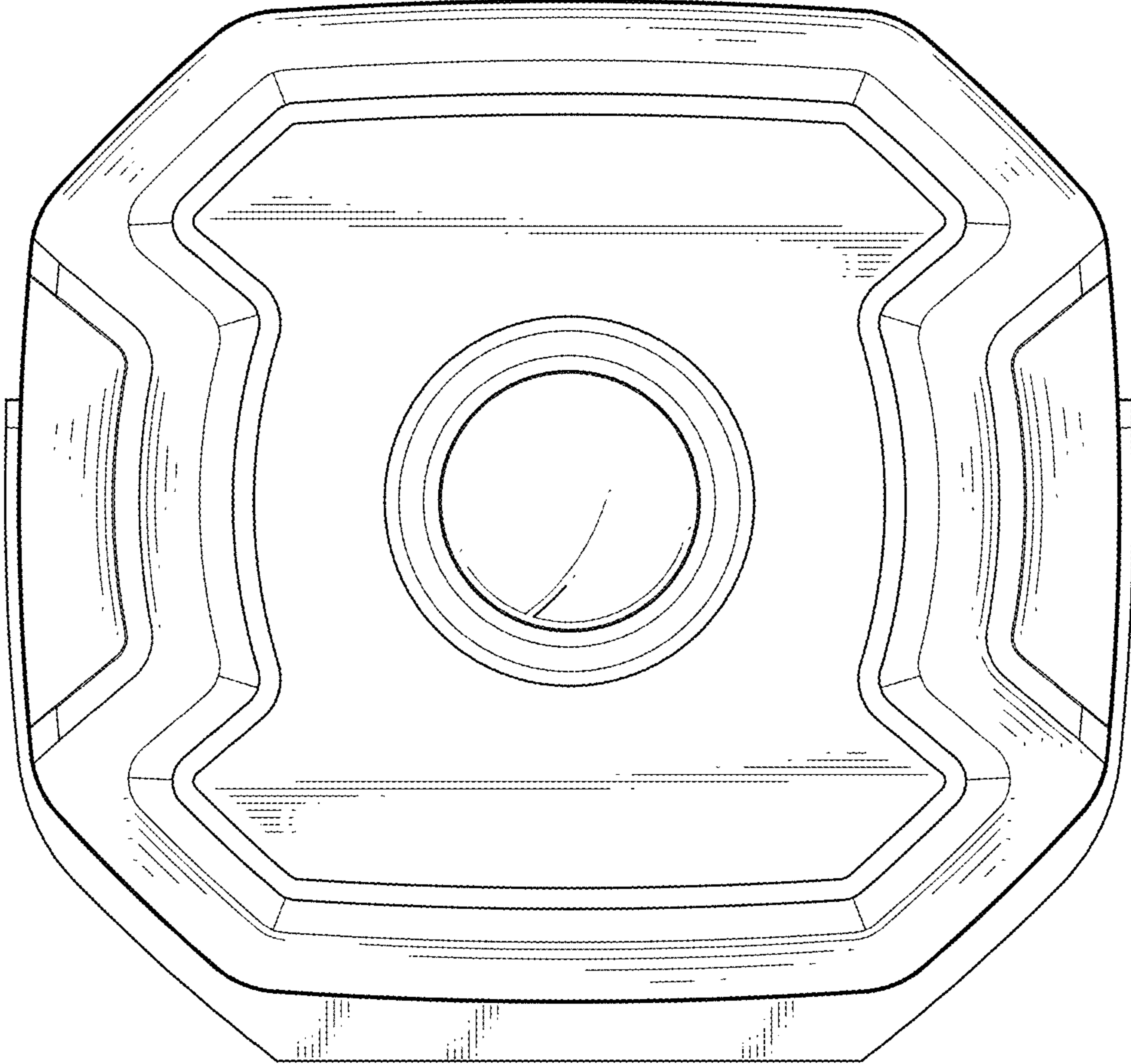


FIG. 2

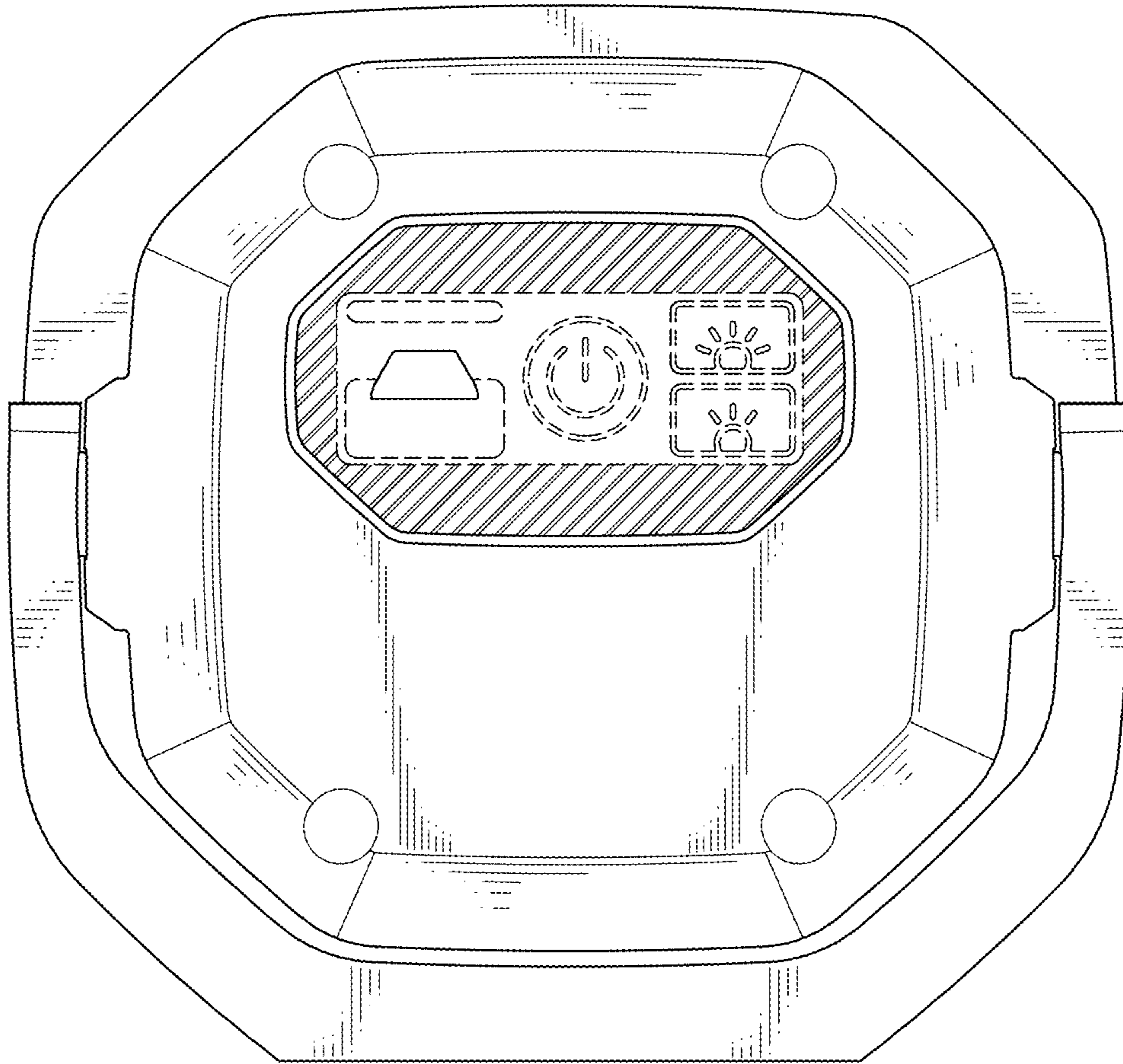


FIG. 3

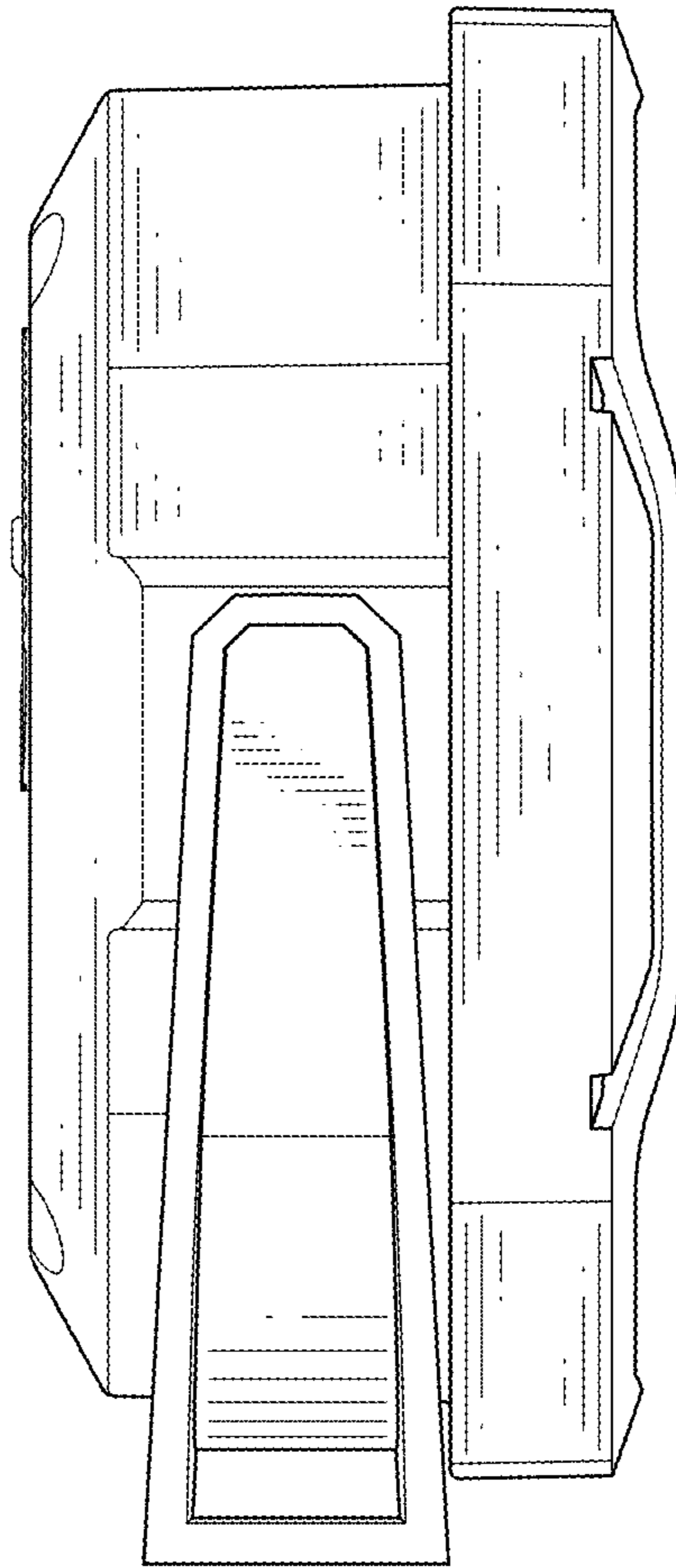


FIG. 4

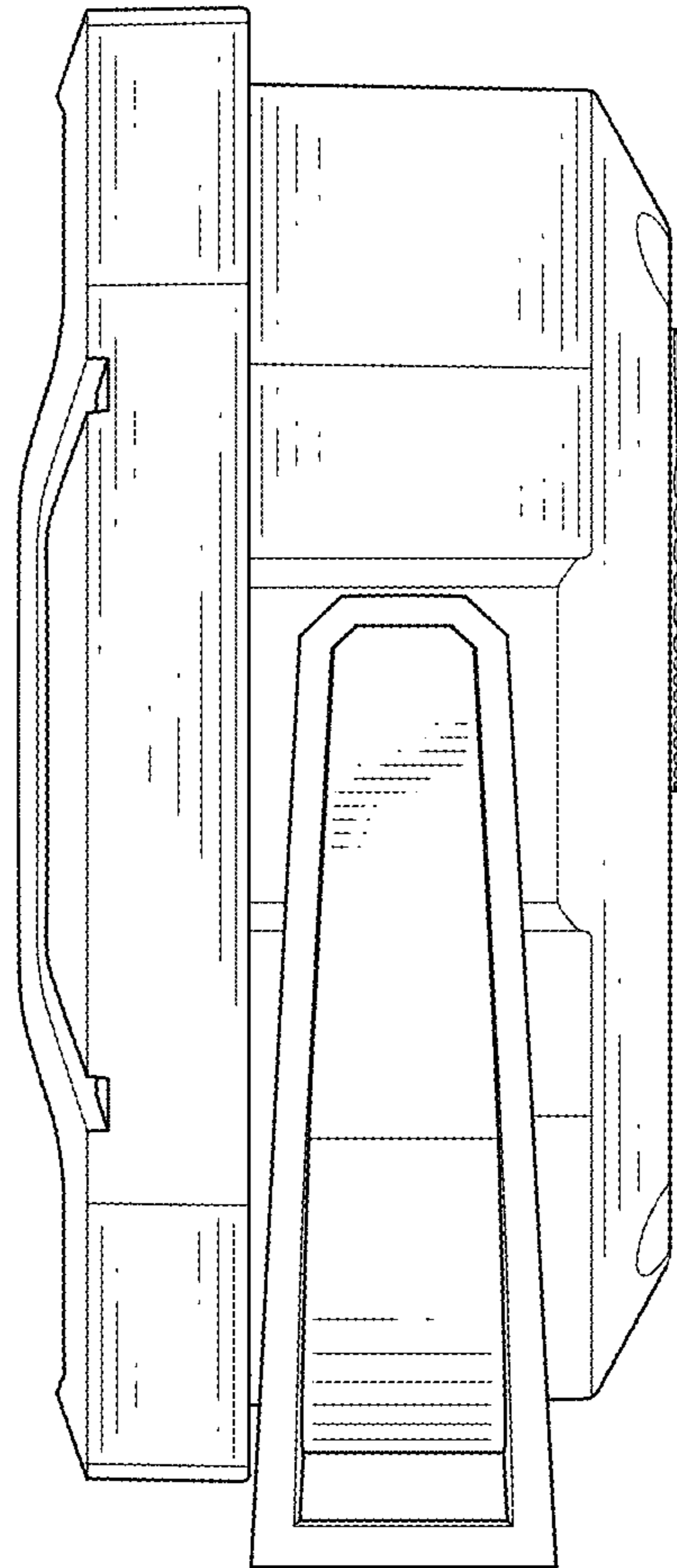


FIG. 5

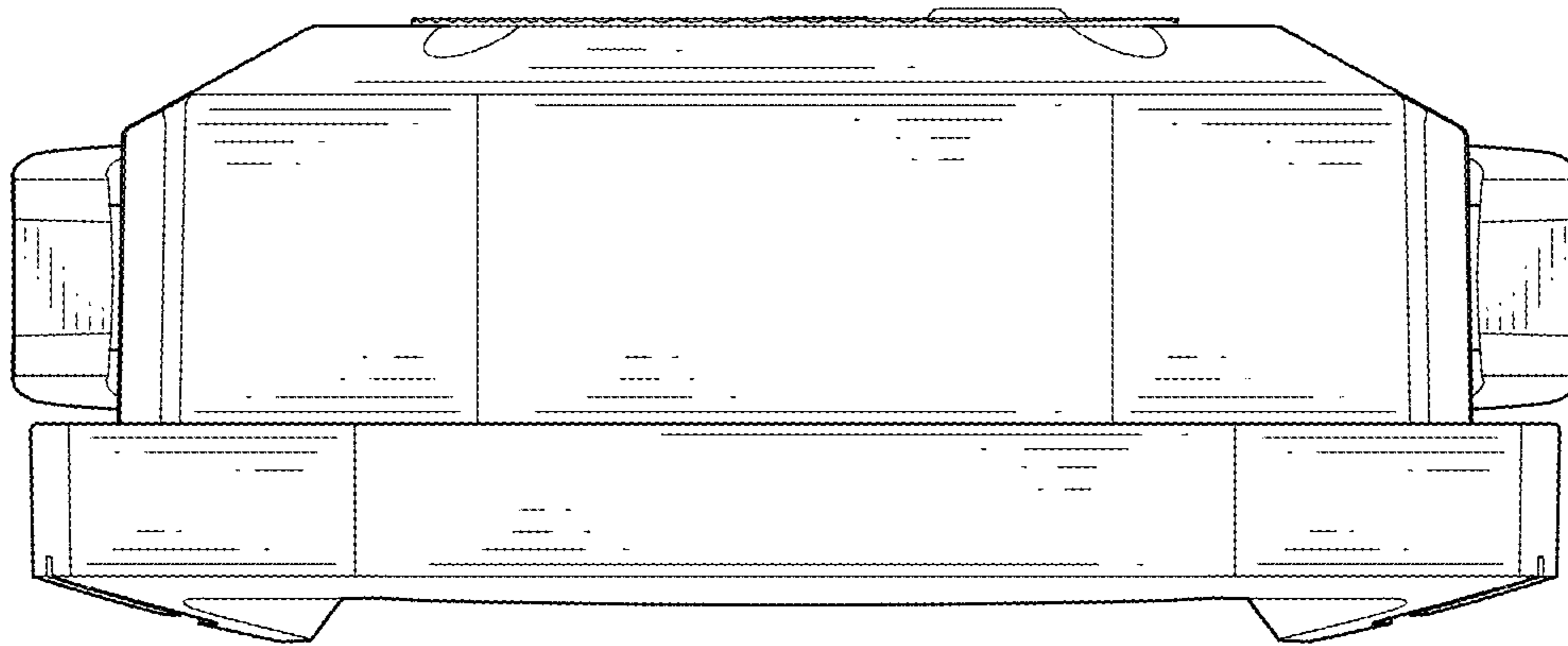


FIG. 6

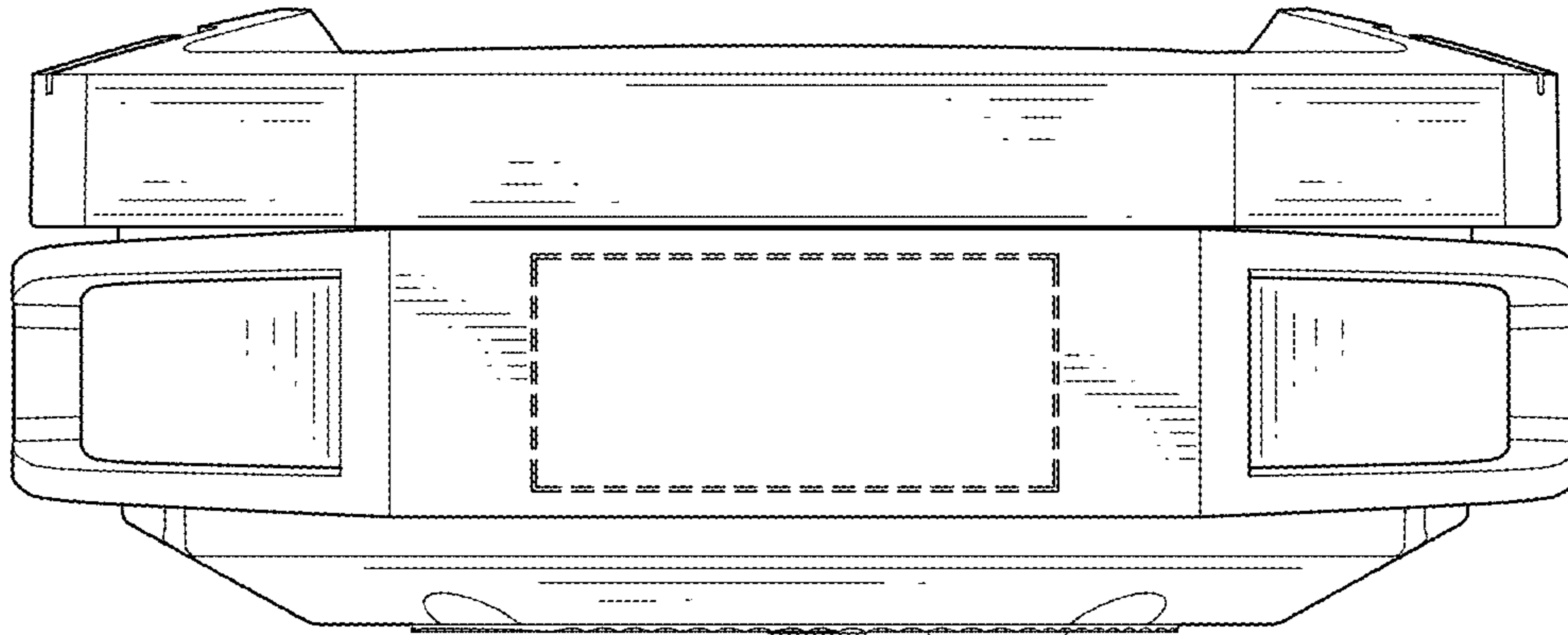


FIG. 7