



US00D911562S

(12) **United States Design Patent** (10) **Patent No.:** **US D911,562 S**
Lin (45) **Date of Patent:** **** Feb. 23, 2021**

(54) **VEHICLE HEADLIGHT**

(56) **References Cited**

(71) Applicant: **KUEN HWA TRAFFIC INDUSTRIAL CO., LTD.**, Tainan (TW)

U.S. PATENT DOCUMENTS

(72) Inventor: **Chung-I Lin**, Hsinchu (TW)

D593,233	S	*	5/2009	Bai	D26/28
D674,938	S	*	1/2013	Lai	D26/28
D740,978	S	*	10/2015	Lee	D26/28
D787,721	S	*	5/2017	Lai	D26/28
D797,332	S	*	9/2017	Lin	D26/28
D822,241	S	*	7/2018	Lee	D26/28
D822,242	S	*	7/2018	Lee	D26/28
D827,885	S	*	9/2018	Hannemann	D26/28

(73) Assignee: **Kuen Hwa Traffic Industrial Co., Ltd.**, Tainan (TW)

(**) Term: **15 Years**

* cited by examiner

(21) Appl. No.: **29/713,172**

Primary Examiner — Marcus A Jackson

(22) Filed: **Nov. 14, 2019**

(74) *Attorney, Agent, or Firm* — Rosenberg, Klein & Lee

(51) **LOC (13) Cl.** **26-06**

(57) **CLAIM**

(52) **U.S. Cl.**
USPC **D26/28**

The ornamental design for a vehicle headlight, as shown and described.

(58) **Field of Classification Search**

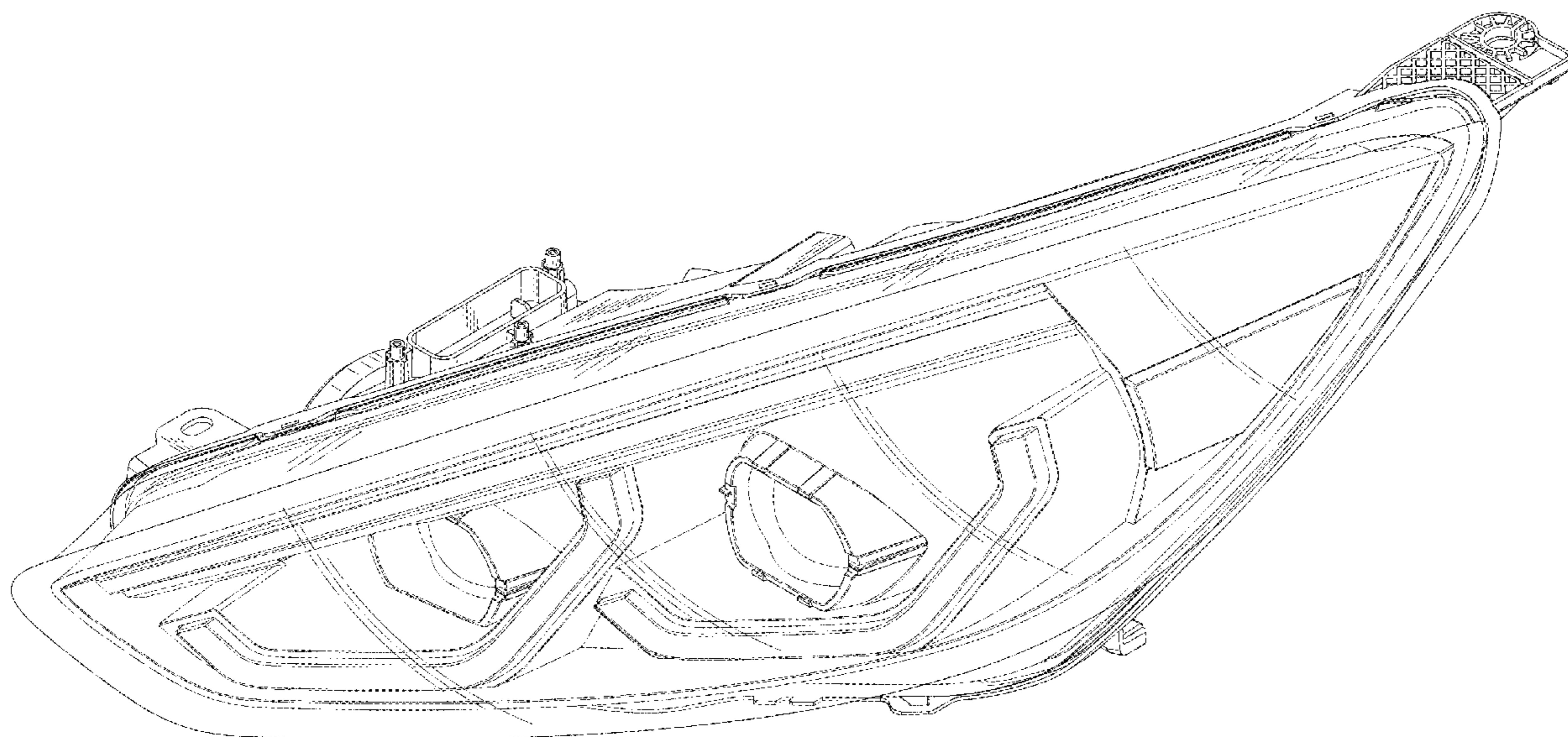
DESCRIPTION

USPC D26/28-36, 139
CPC F21S 48/00; F21S 48/10; F21S 48/115;
F21S 48/225; F21S 48/1233; F21S 48/1266; F21S 48/1388; F21S 48/2268;
F21V 21/04; F21V 29/004; F21W 2103/35; F21W 3/40; F21W 2102/17;
F21W 2102/30; F21W 2103/00; F21W 2103/55; F21W 2104/00; F21W 2107/13;
F21W 2107/17; B60Q 9/13; B60Q 9/135; B60Q 9/1375

FIG. 1 is a perspective view of a vehicle headlight showing my present design;
FIG. 2 is a front view thereof;
FIG. 3 is a rear view thereof;
FIG. 4 is a left view thereof;
FIG. 5 is a right view thereof;
FIG. 6 is a top plane view thereof;
FIG. 7 is a bottom plane view thereof;
FIG. 8 is an enlarged view of FIG. 2; and,
FIG. 9 is an enlarged view of FIG. 3.

See application file for complete search history.

1 Claim, 9 Drawing Sheets



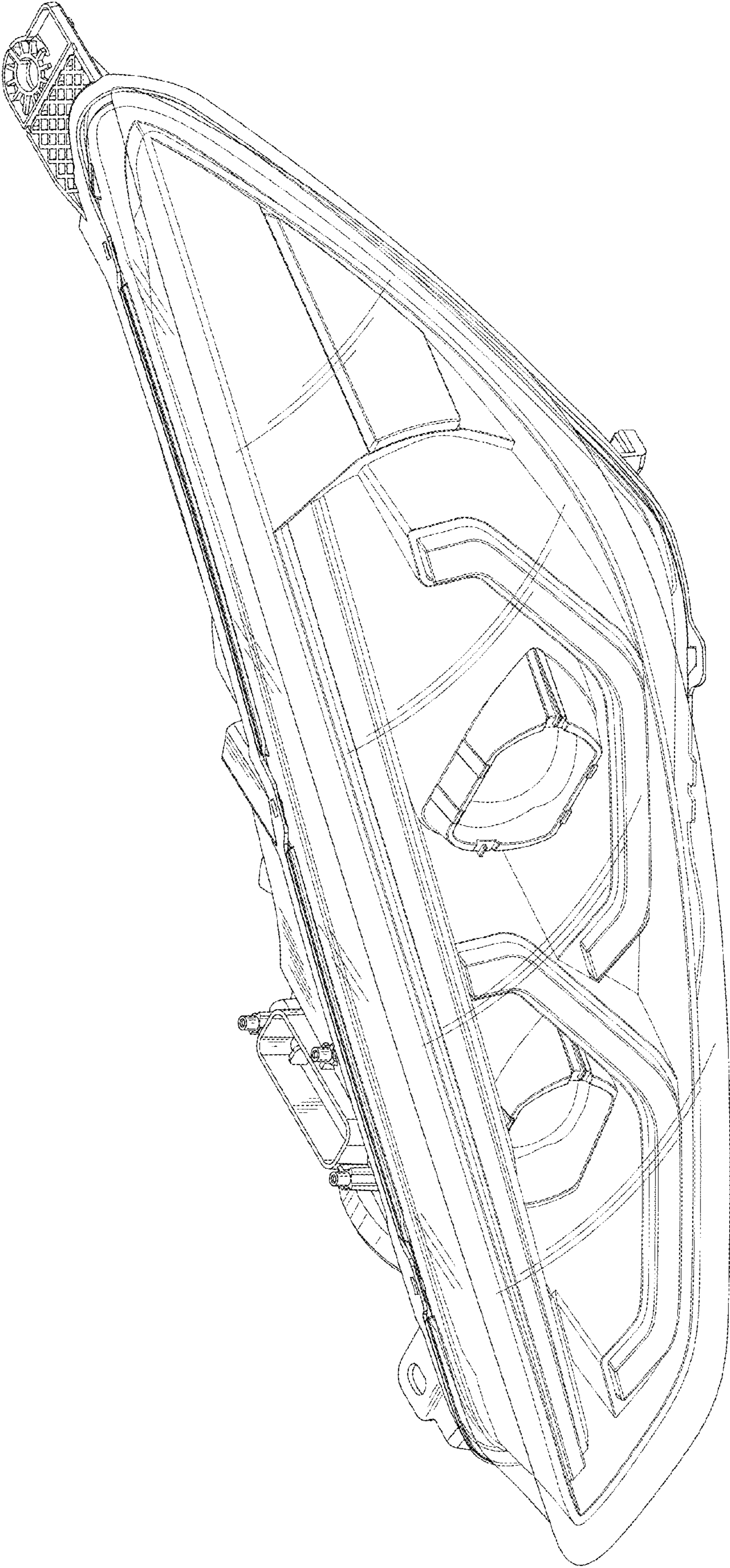


FIG. 1

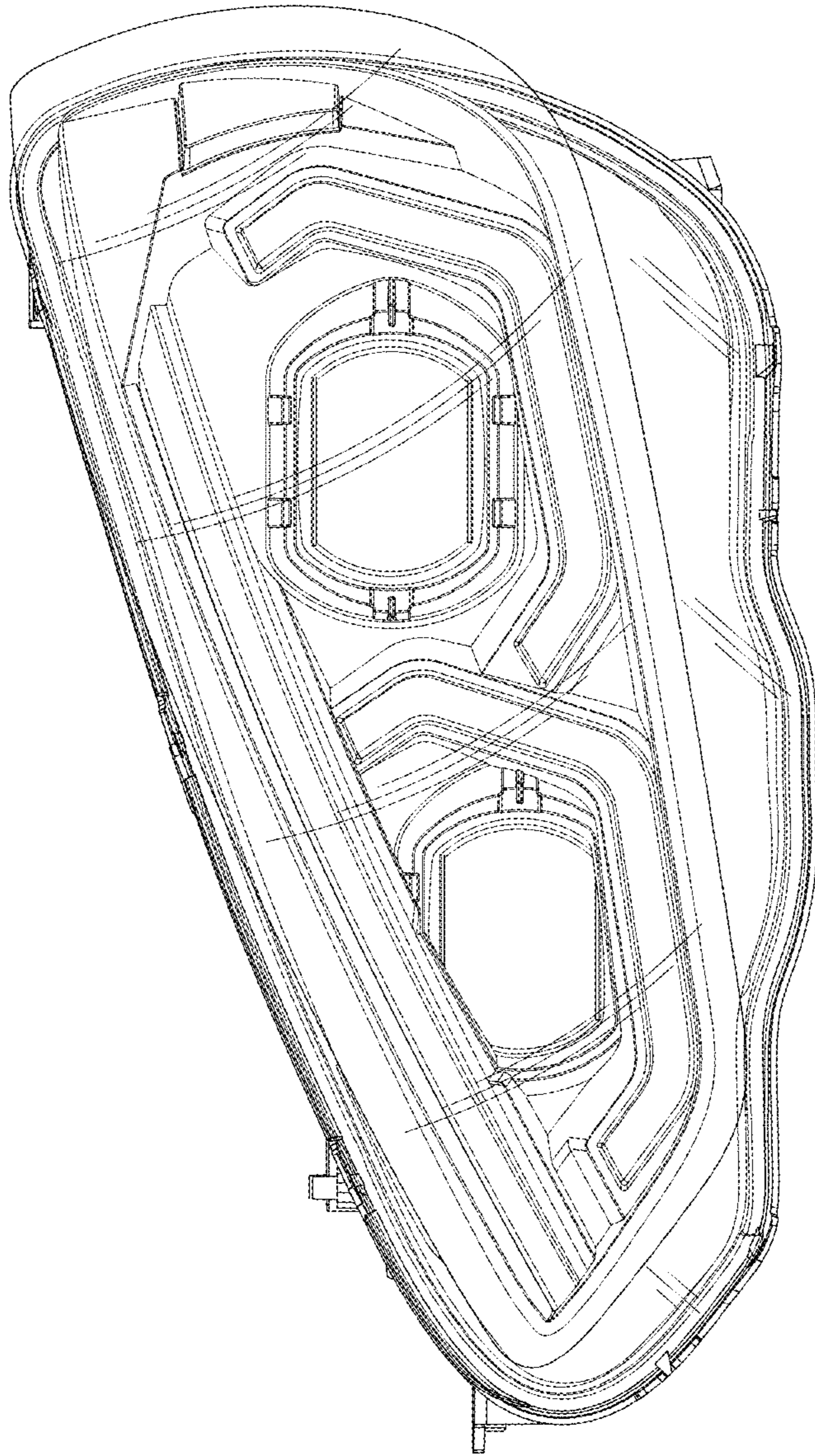


FIG. 2

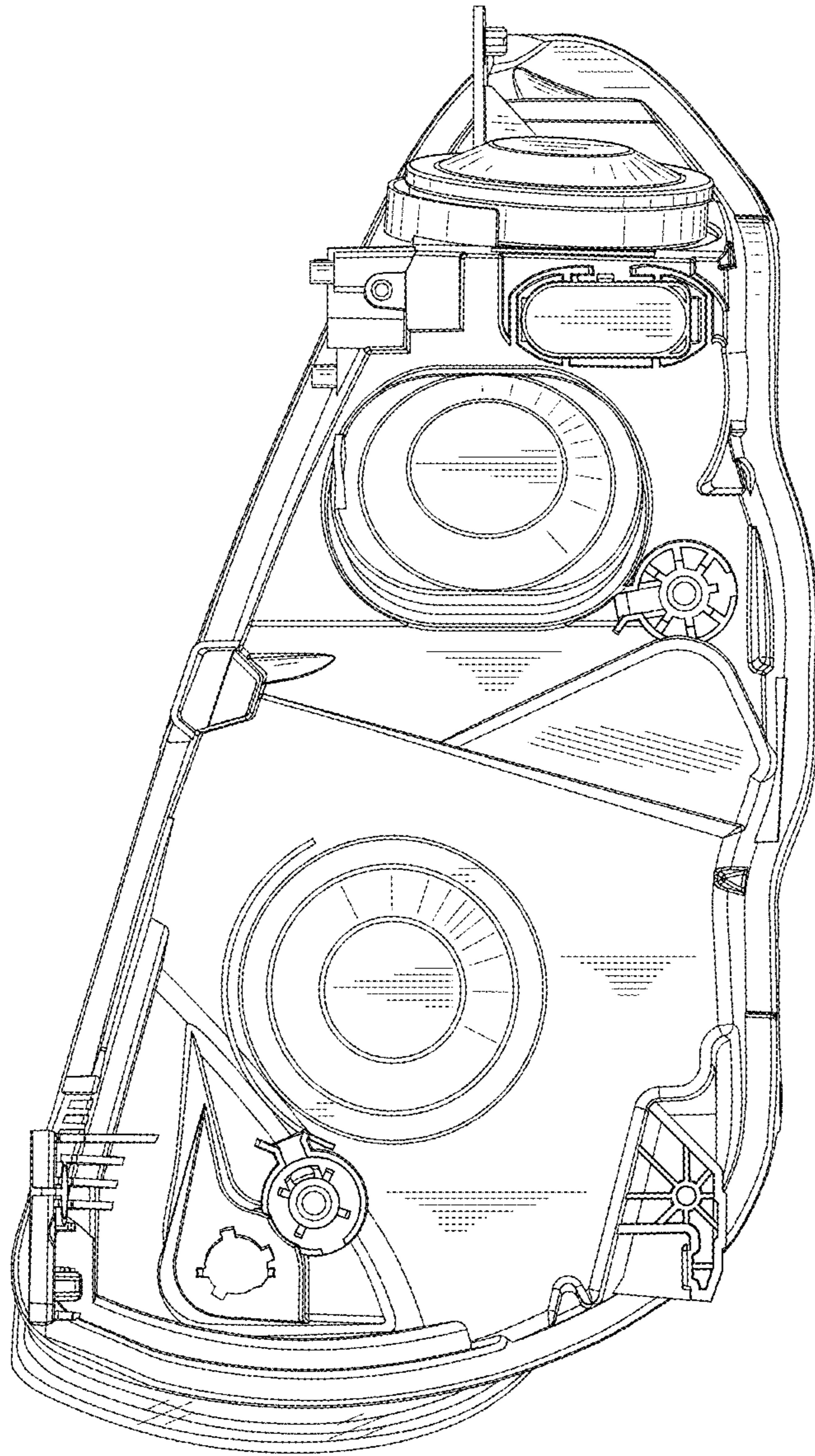


FIG. 3

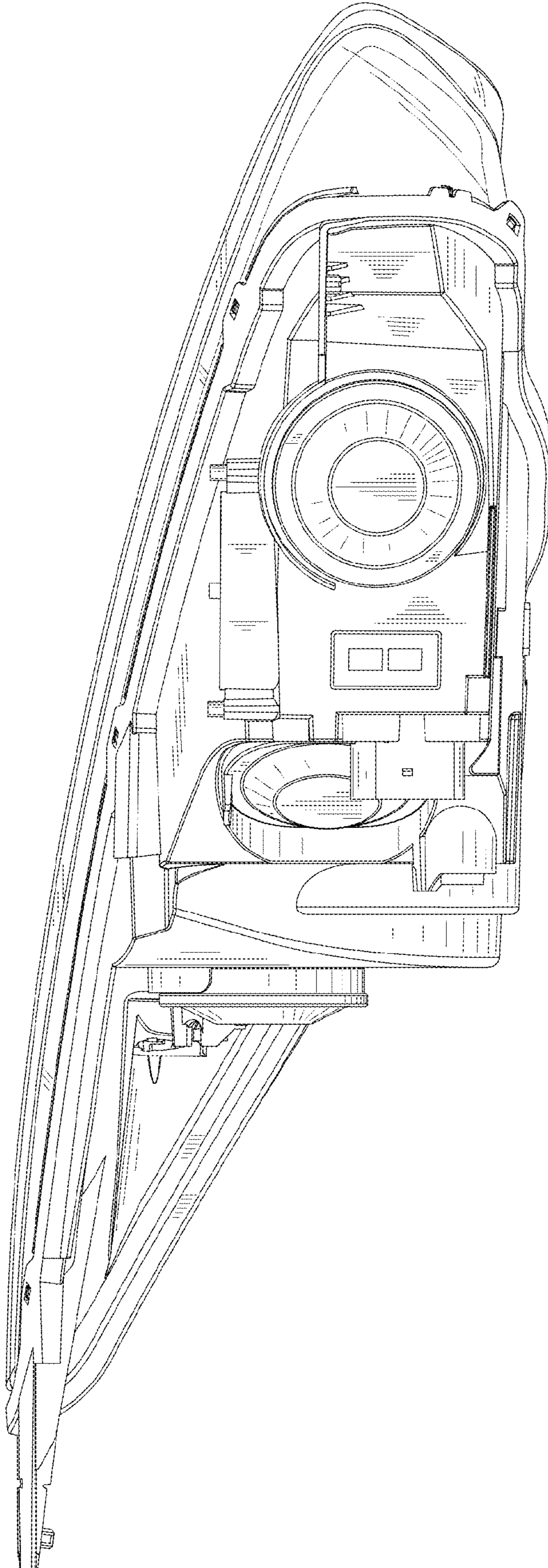


FIG . 4

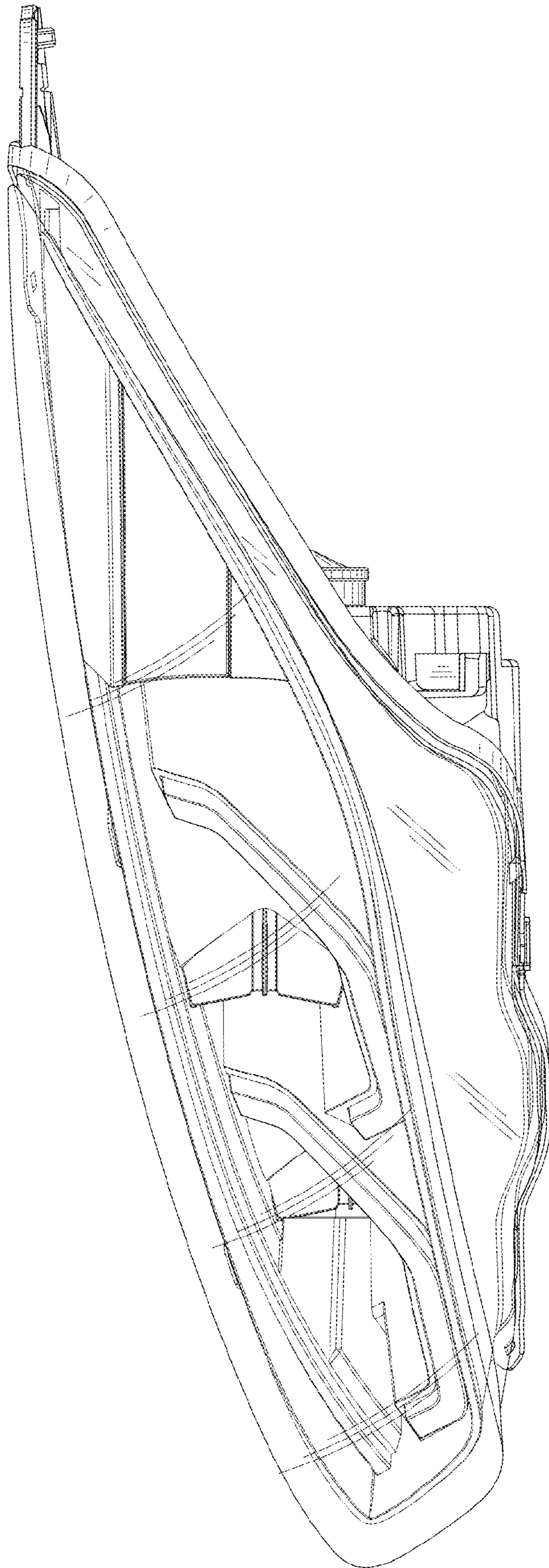


FIG. 5

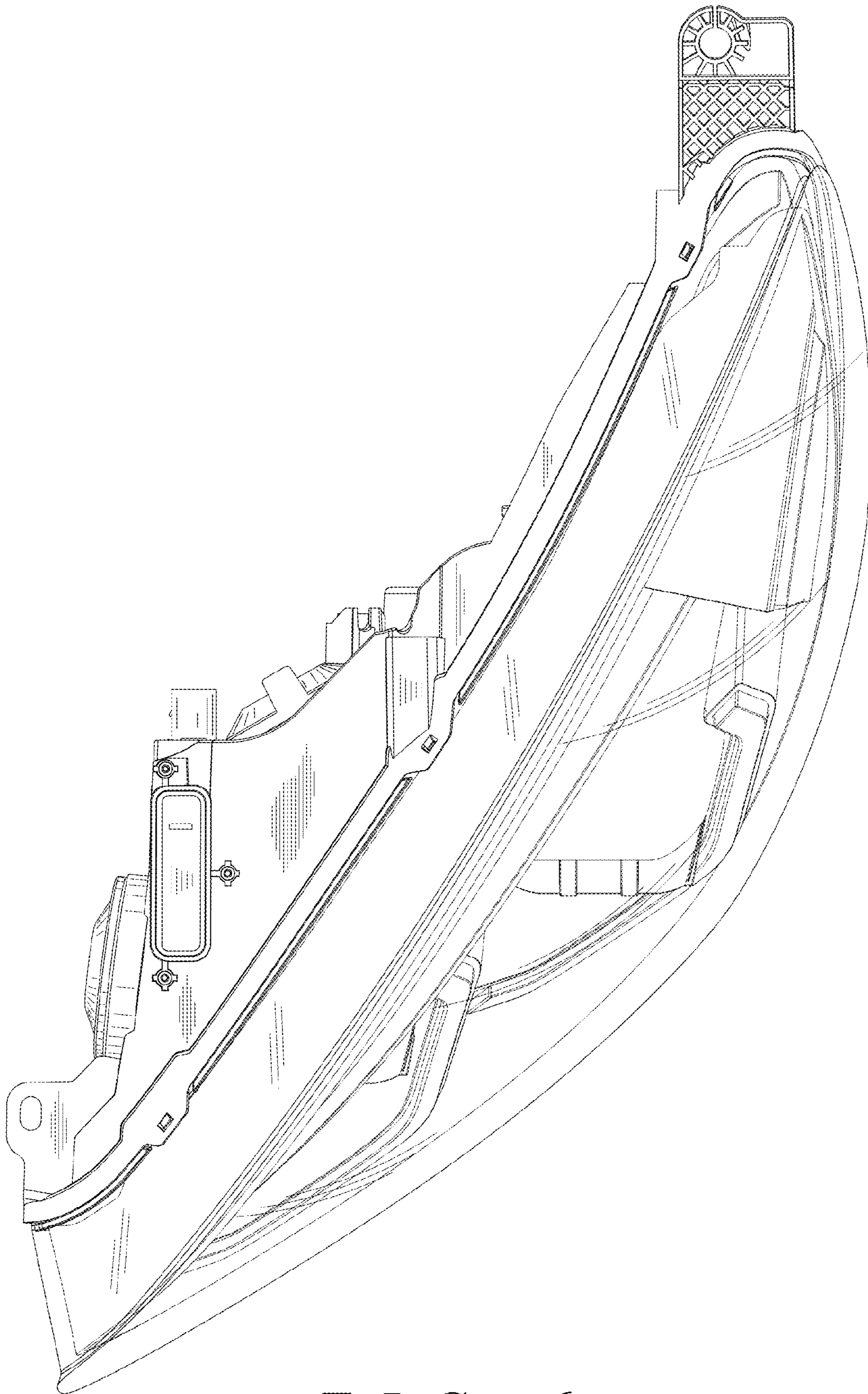


FIG. 6

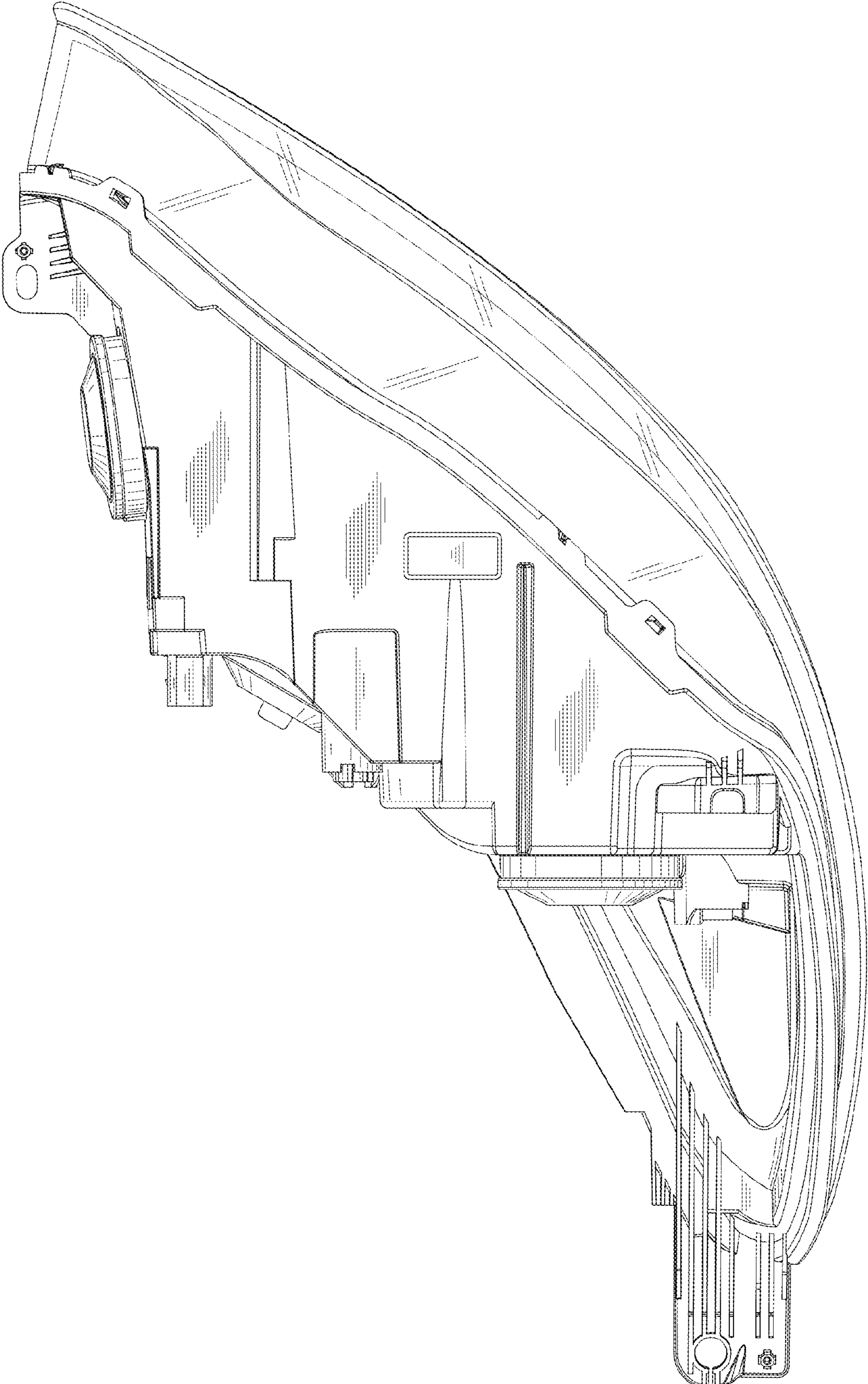


FIG. 7

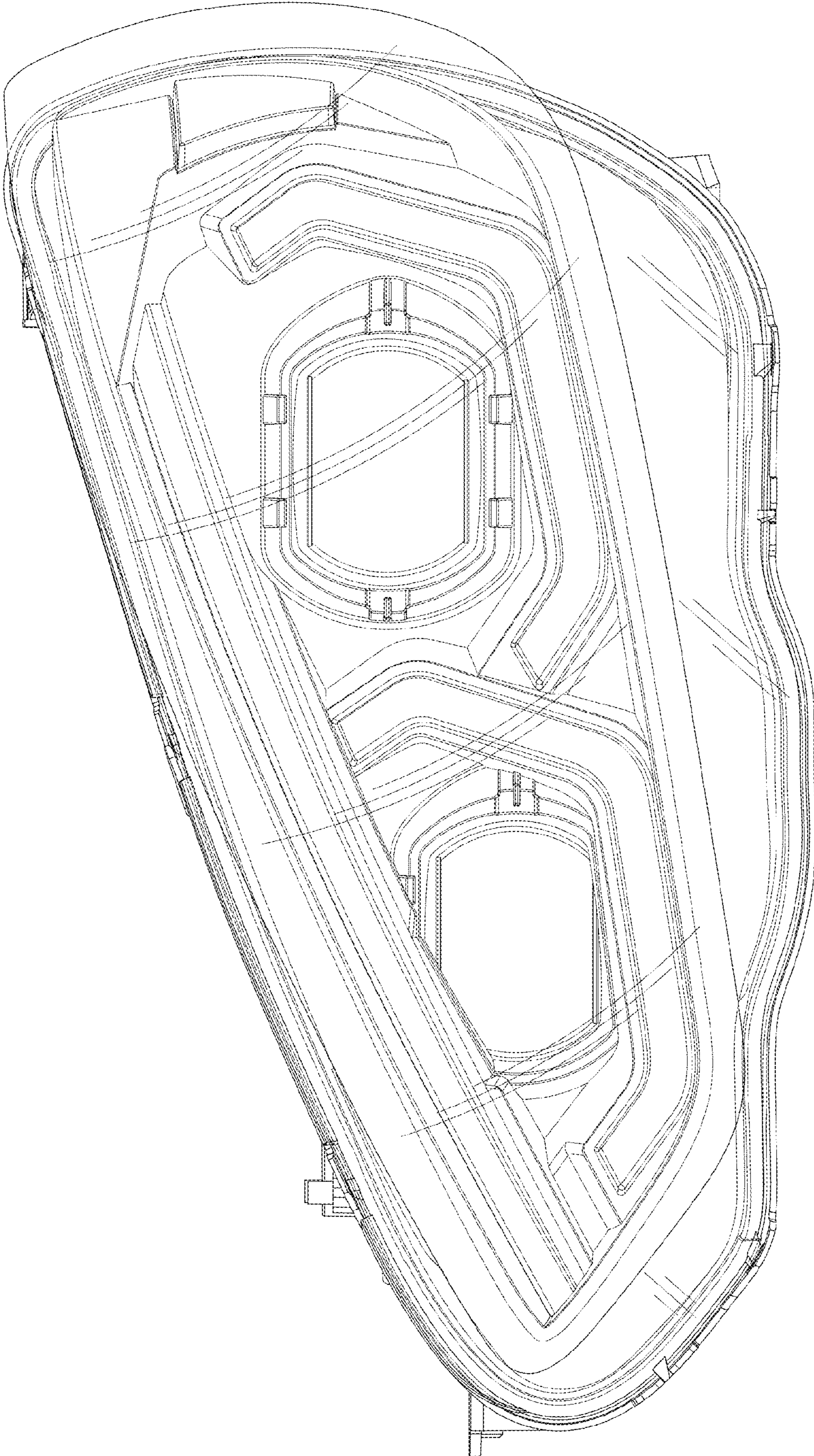


FIG . 8

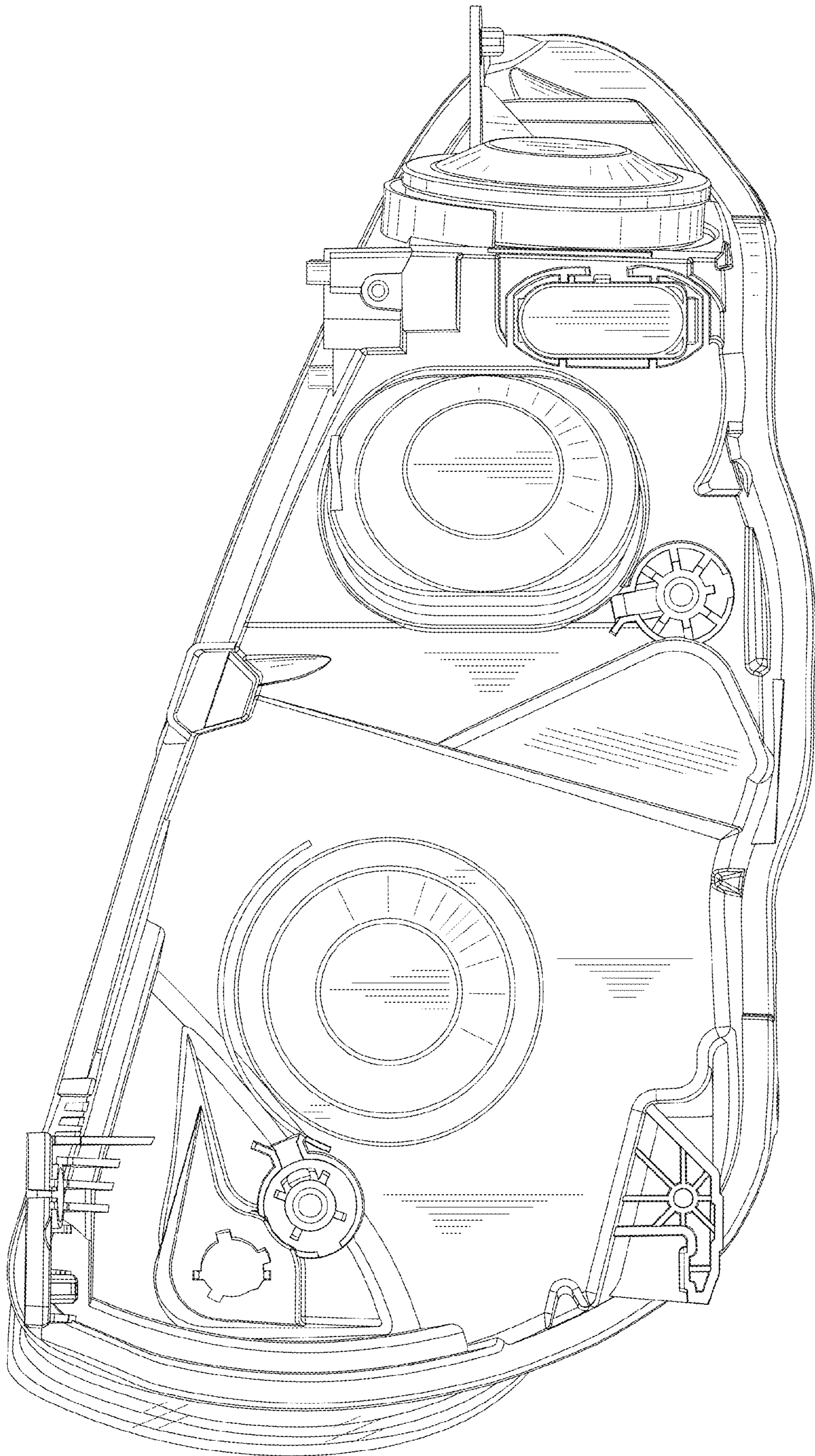


FIG. 9