



US00D911561S

(12) **United States Design Patent**  
**Heggland**

(10) **Patent No.:** **US D911,561 S**

(45) **Date of Patent:** **\*\* Feb. 23, 2021**

(54) **BICYCLE LIGHT**

D633,635 S \* 3/2011 Poon ..... D26/60  
D746,501 S \* 12/2015 Chen ..... D26/60  
D857,960 S \* 8/2019 Worman ..... D26/60

(71) Applicant: **Trek Bicycle Corporation**, Waterloo,  
WI (US)

\* cited by examiner

(72) Inventor: **Kurt Heggland**, Sun Prairie, WI (US)

*Primary Examiner* — Brian N. Vinson

(73) Assignee: **Trek Bicycle Corporation**, Waterloo,  
WI (US)

(\*\*) Term: **15 Years**

(57) **CLAIM**

(21) Appl. No.: **29/655,517**

The ornamental design for a bicycle light, as shown and described.

(22) Filed: **Jul. 4, 2018**

(51) **LOC (13) Cl.** ..... **26-03**

(52) **U.S. Cl.**  
USPC ..... **D26/28; D26/60**

**DESCRIPTION**

(58) **Field of Classification Search**  
USPC ..... D26/28-36, 60-63  
CPC .... B62J 6/001; B62J 6/02; B60Q 9/13; B60Q  
9/135; B60Q 9/1375; F21S 48/00; F21S  
48/10; F21S 48/115; F21S 48/225; F21S  
48/1233; F21S 48/1266; F21S 48/1388;  
F21S 48/2268; F21V 21/04  
See application file for complete search history.

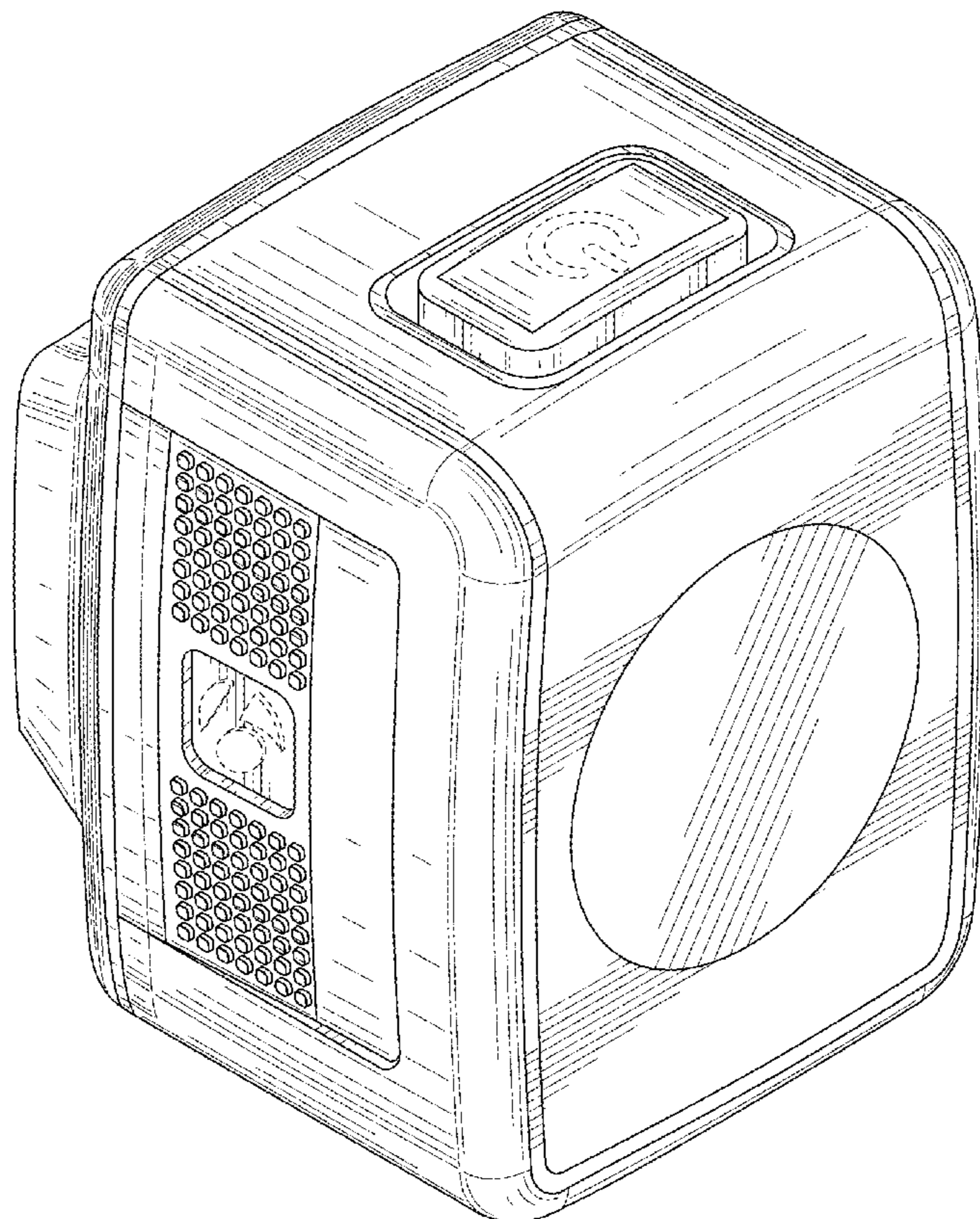
FIG. 1 is a front view of a bicycle light showing my new design;  
FIG. 2 is a back view thereof  
FIG. 3 is a left view thereof;  
FIG. 4 is a right view thereof;  
FIG. 5 is a top view thereof;  
FIG. 6 is a bottom view thereof;  
FIG. 7 is a right, front, top perspective view thereof;  
FIG. 8 is a right, rear, top perspective view thereof;  
FIG. 9 is a left, front, bottom perspective view thereof; and,  
FIG. 10 is a left, front, top perspective view thereof.

(56) **References Cited**

**U.S. PATENT DOCUMENTS**

D528,678 S \* 9/2006 Yen ..... D26/60  
D609,377 S \* 2/2010 Taiga ..... D26/60

**1 Claim, 9 Drawing Sheets**



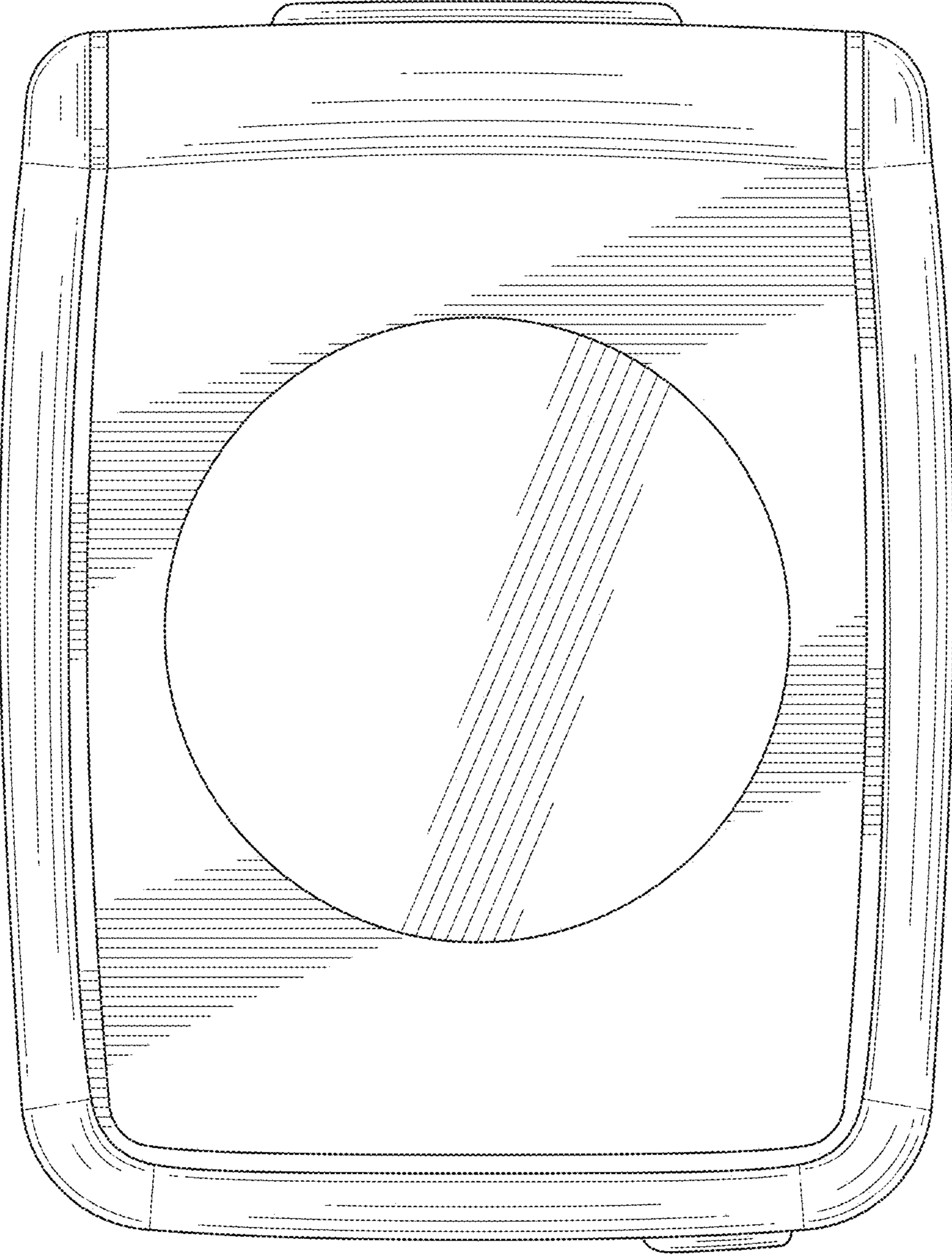


FIG. 1

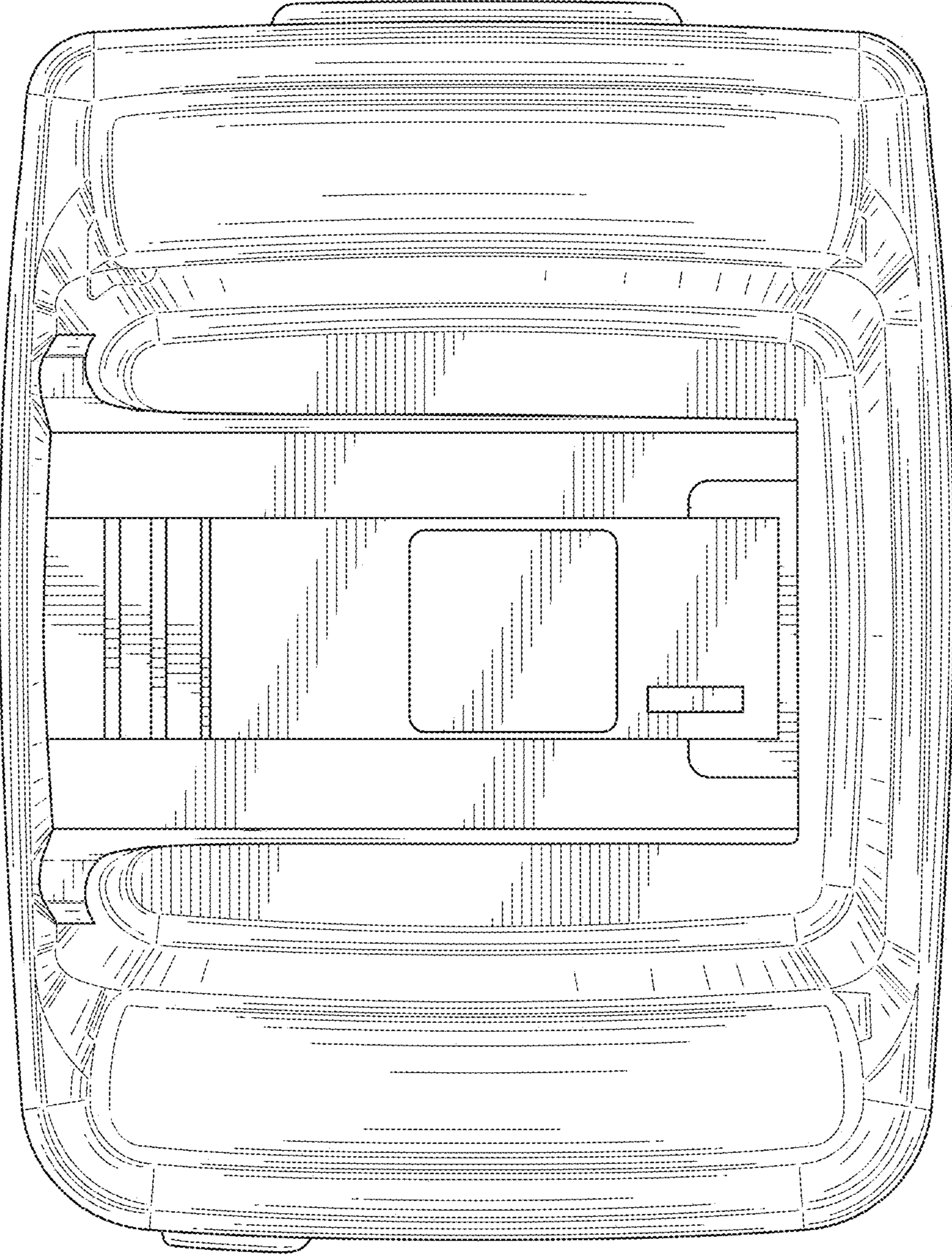


FIG. 2

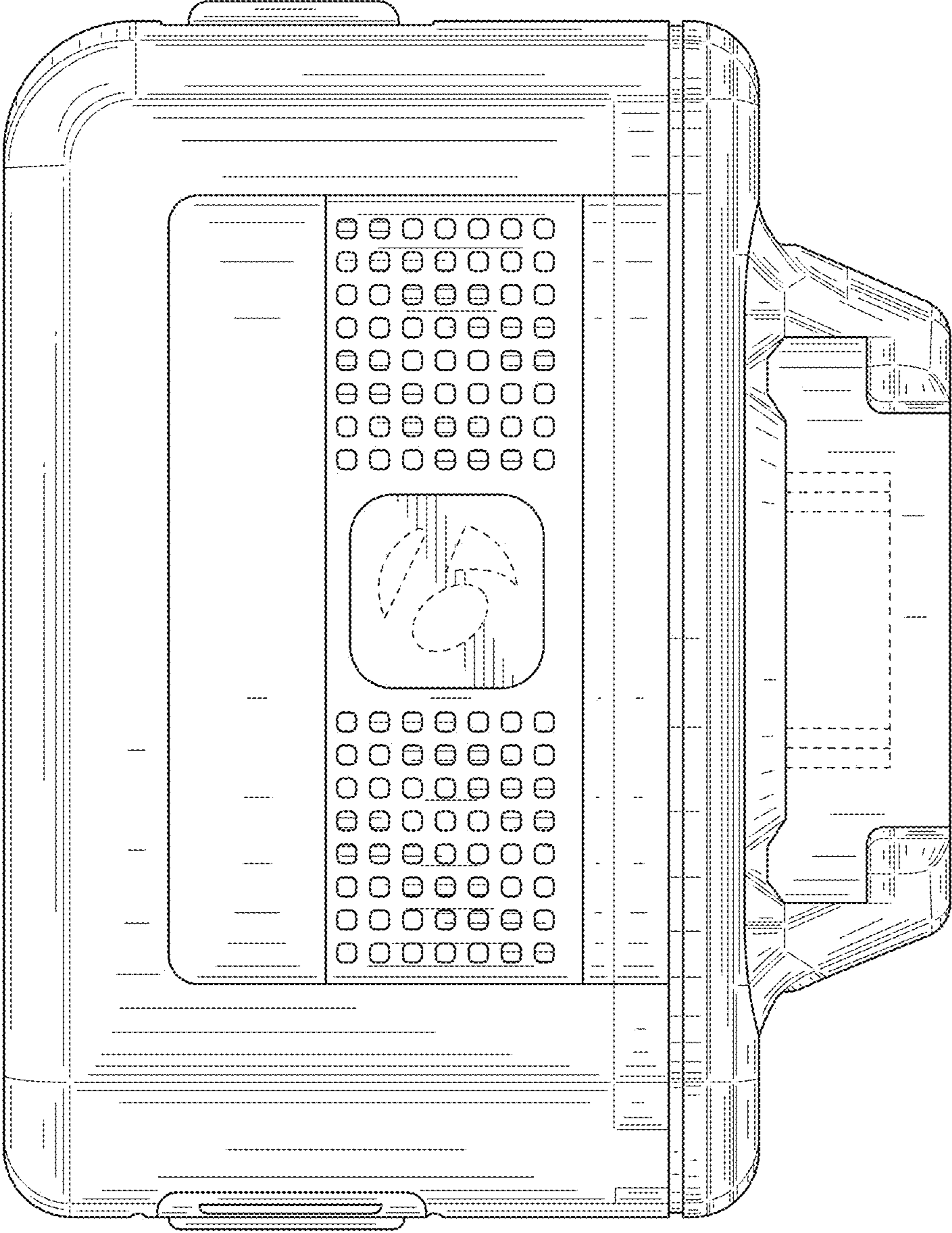


FIG. 3

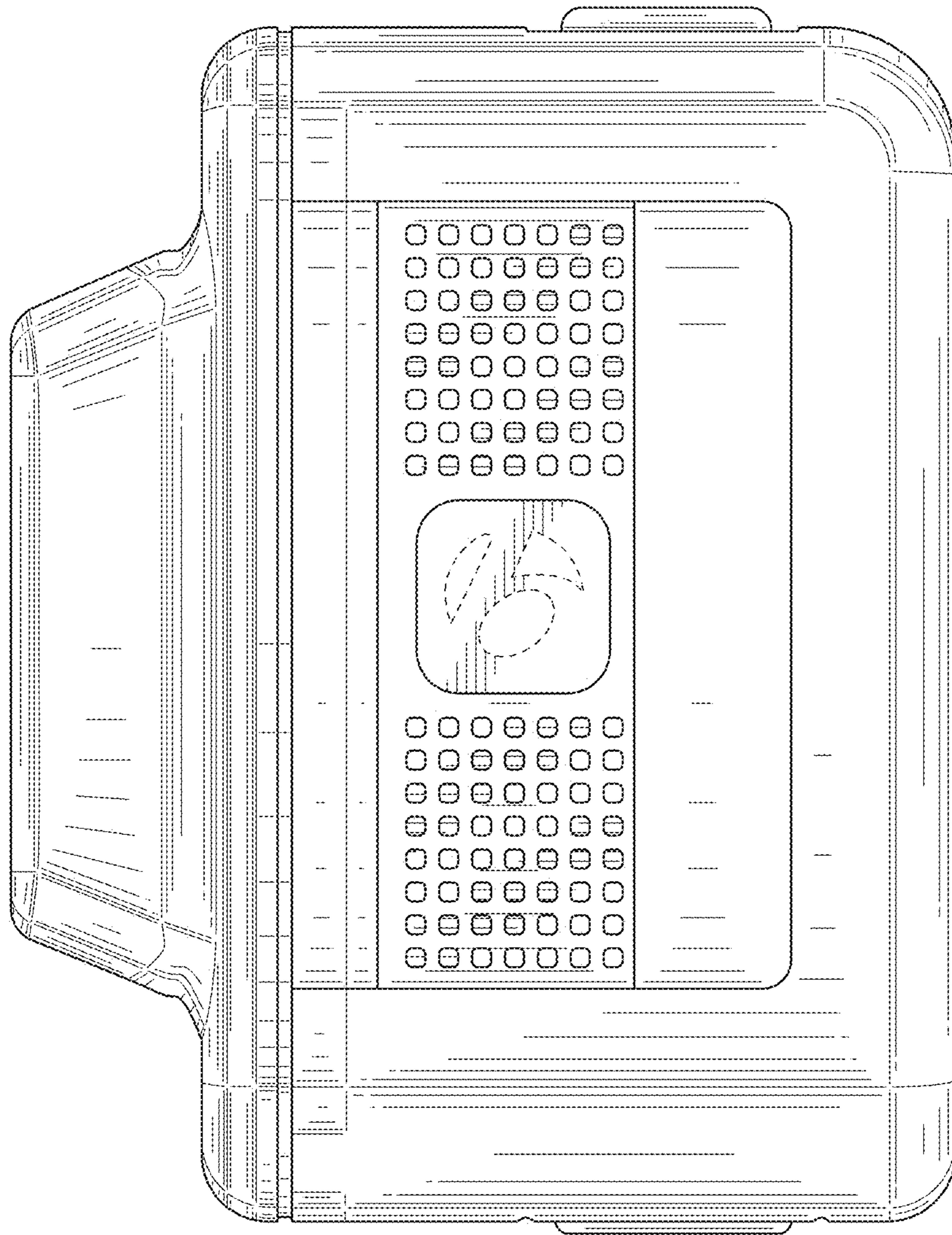


FIG. 4

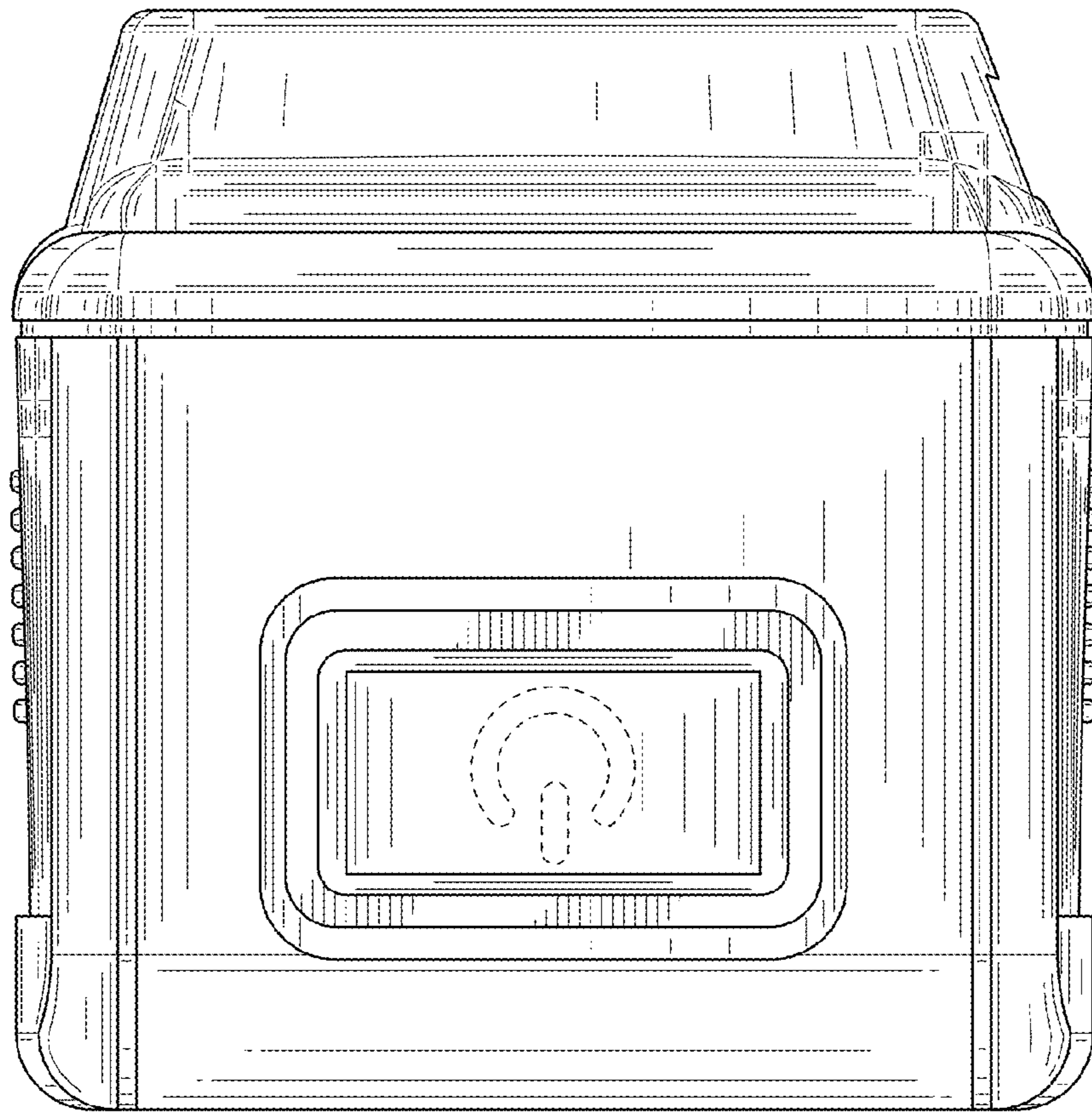


FIG. 5

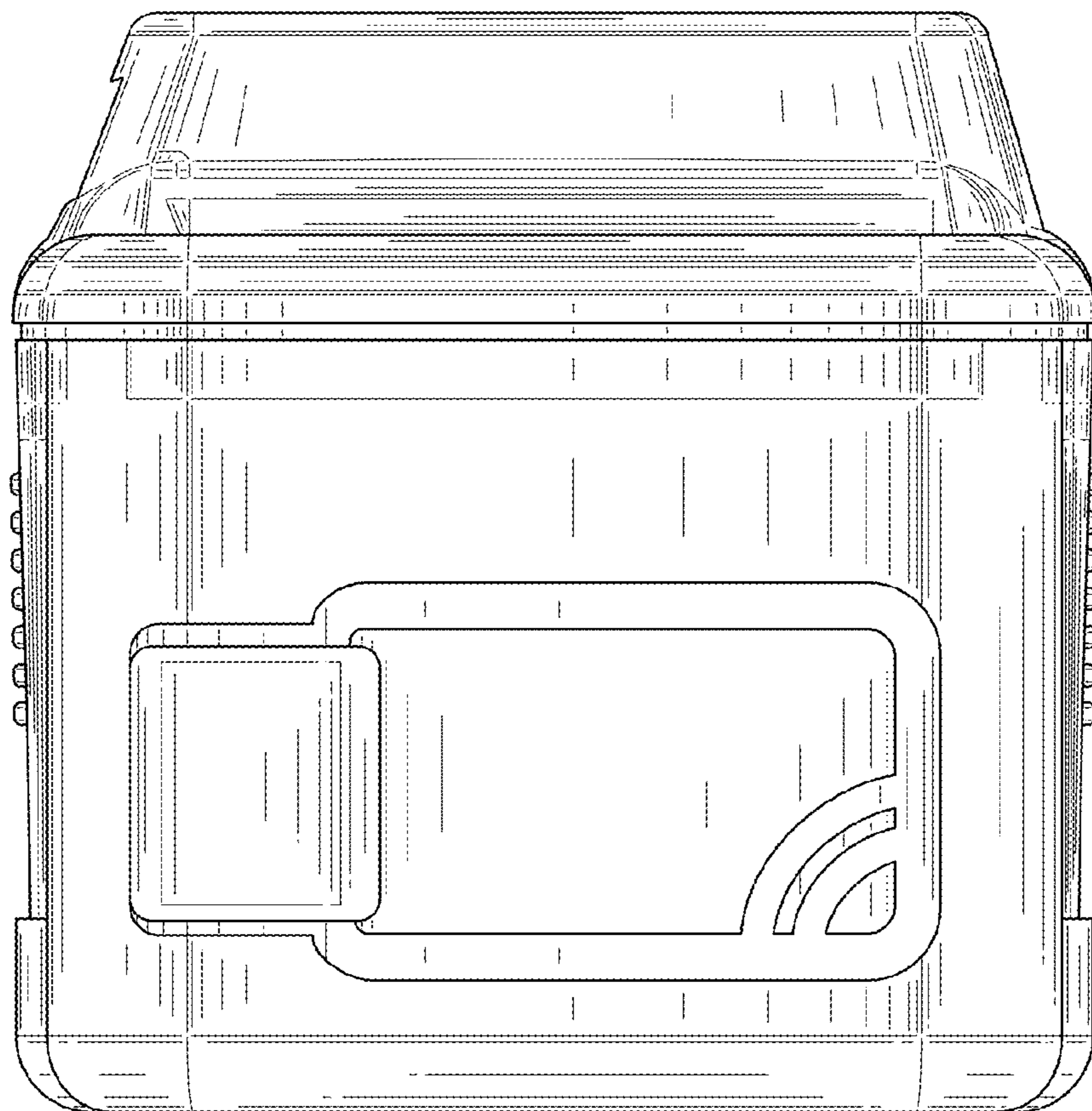


FIG. 6

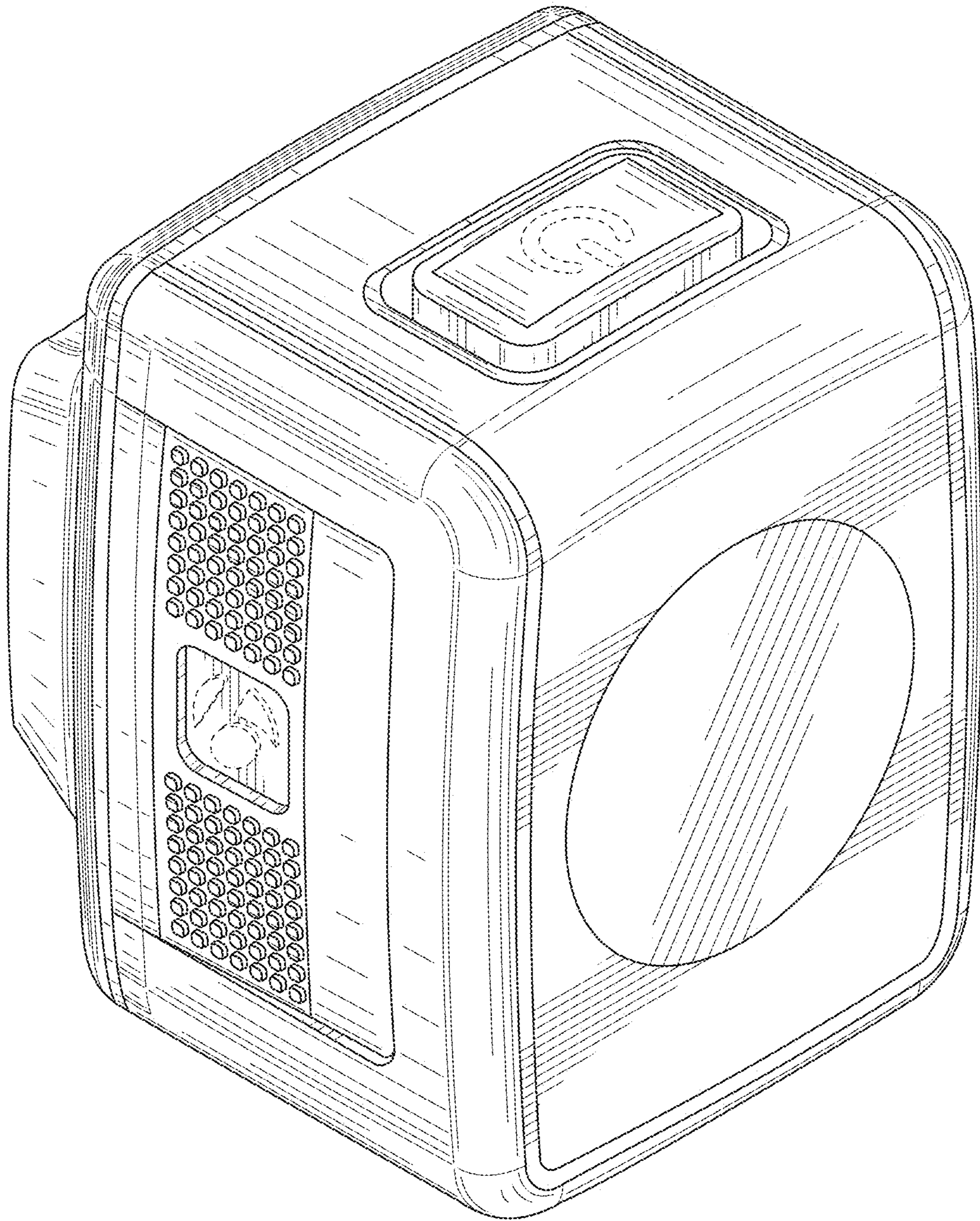


FIG. 7

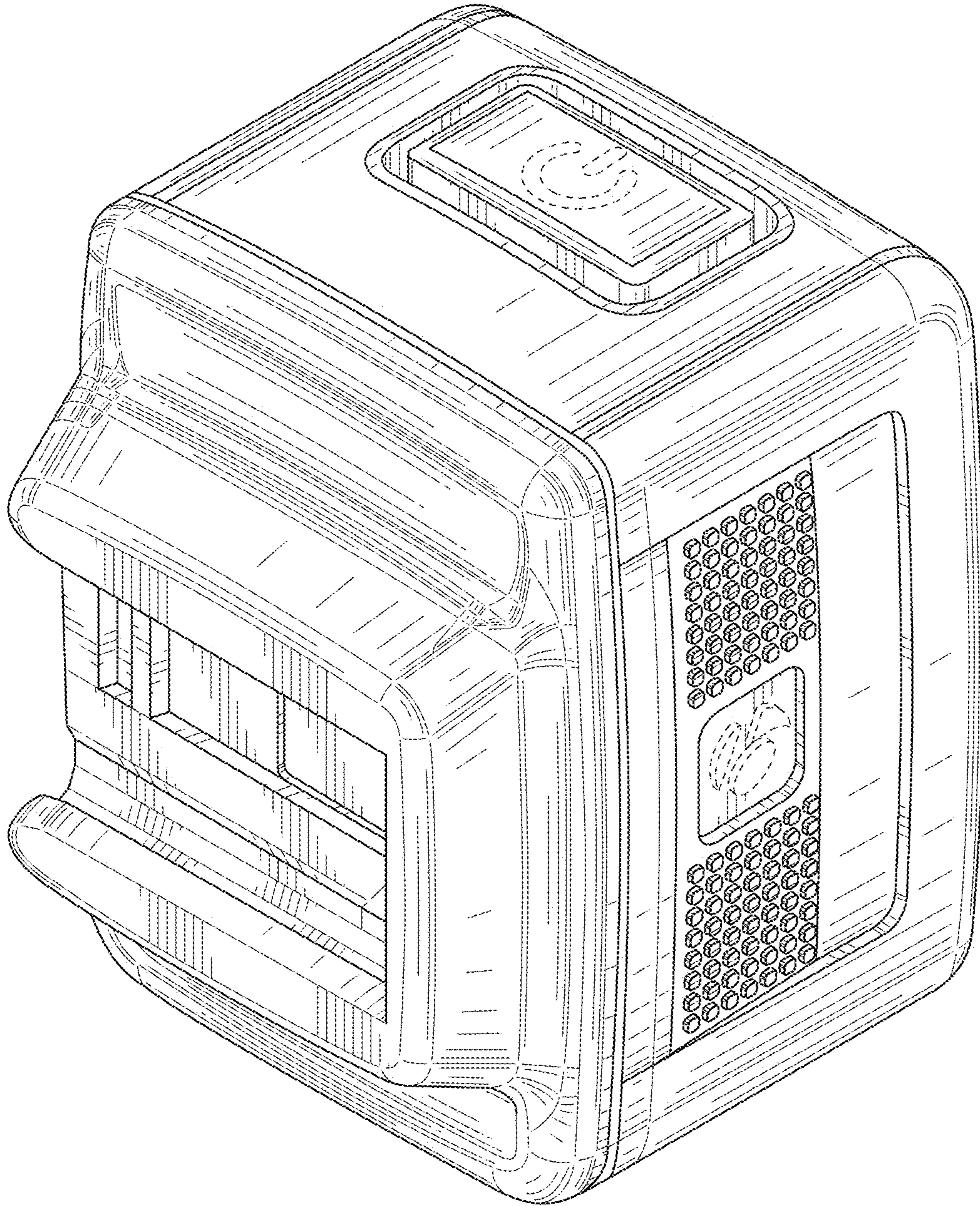


FIG. 8



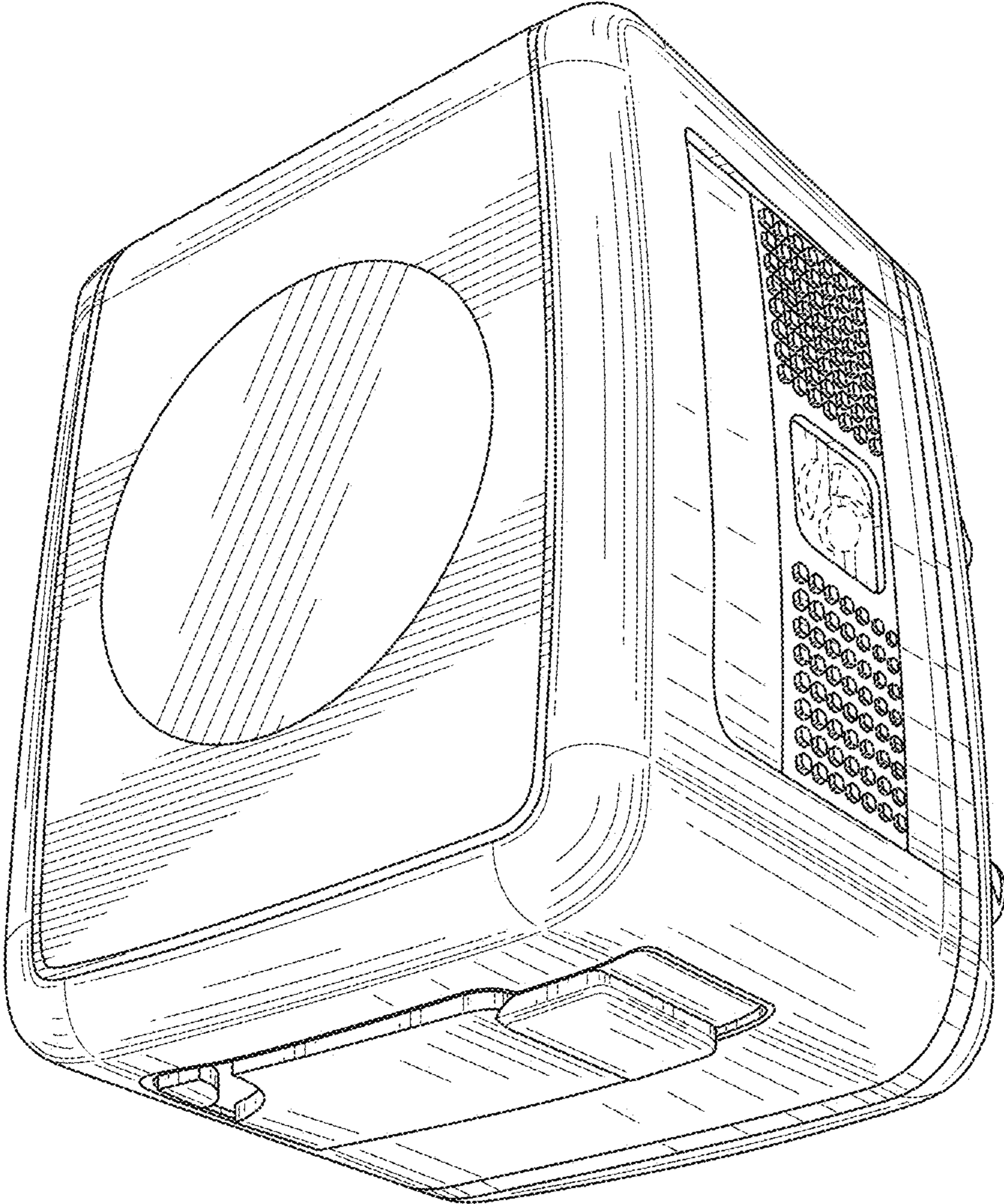


FIG. 9

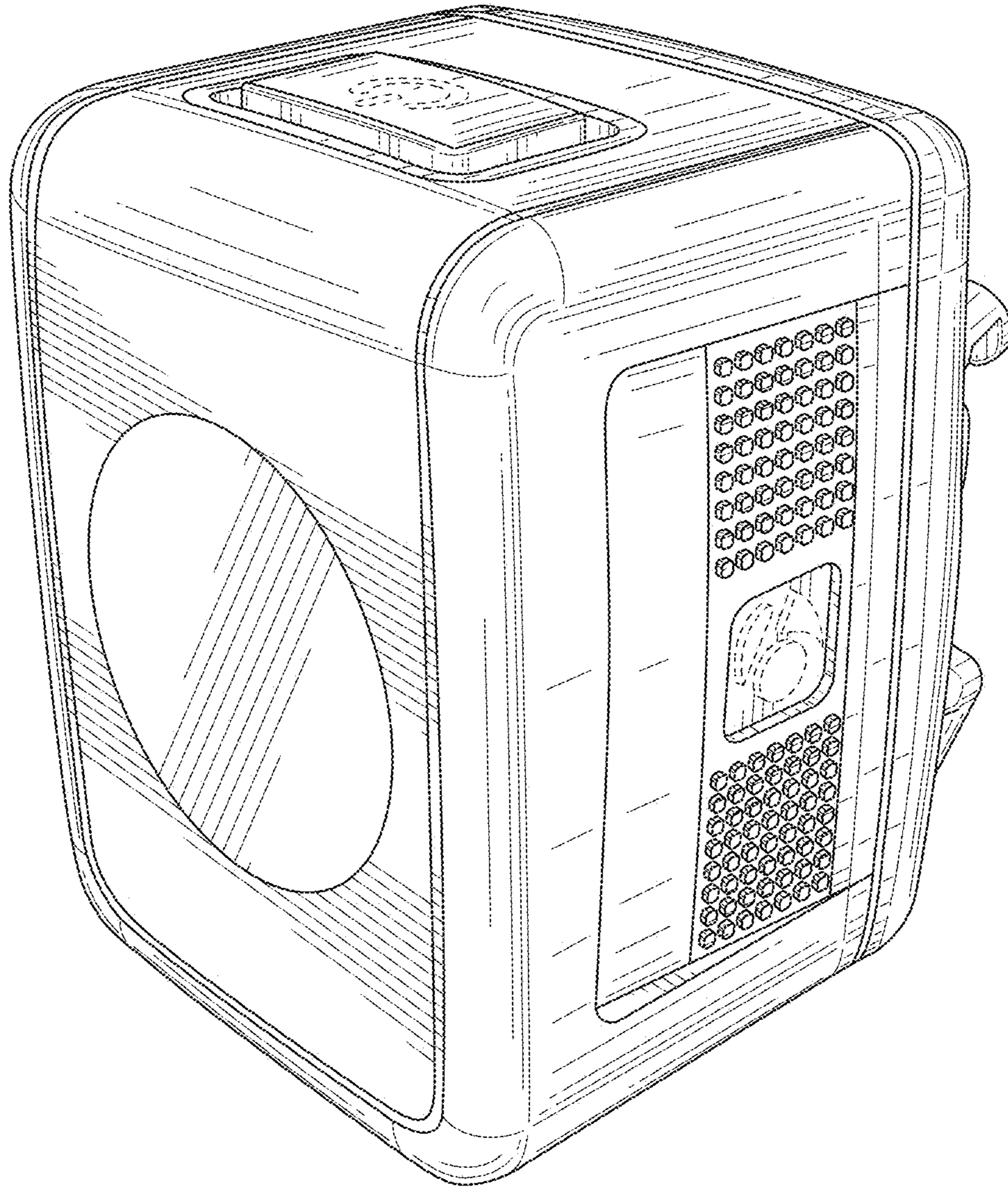


FIG. 10