



US00D911558S

(12) **United States Design Patent** (10) **Patent No.:** **US D911,558 S**
McKinley et al. (45) **Date of Patent:** **** Feb. 23, 2021**

(54) **ARCHITECTURAL PANEL PERIMETER EXTRUSION**

(71) Applicant: **CARTER ARCHITECTURAL PANELS INC.**, Brampton (CA)

(72) Inventors: **Joel Adam McKinley**, Queen Creek, AZ (US); **Miguel Antonio Moore Libreiro**, Courtice (CA)

(73) Assignee: **Carter Architectural Panels Inc.**, Brampton (CA)

(**) Term: **15 Years**

(21) Appl. No.: **29/688,566**

(22) Filed: **Apr. 23, 2019**

(30) **Foreign Application Priority Data**

Feb. 28, 2019 (CA) CA 186277

(51) **LOC (13) Cl.** **25-01**

(52) **U.S. Cl.**
USPC **D25/119; D25/164**

(58) **Field of Classification Search**
USPC D25/55, 61, 119-125, 138, 142, 164;
D8/349, 354, 376, 377, 382-384,
D8/394-396

CPC E04F 13/07; E04F 13/08; E04F 13/0801;
E04F 13/0803; E04F 13/0805; E04F
13/081; E04F 13/0812; E04F 13/0814;
E04F 13/0816; E04F 13/0823; E04F
13/0846; E04F 13/0848; E04F 13/0891;
E04F 13/21; E04F 13/24; E04F 13/26;
E04F 2201/0517; E04B 1/38; E04B 1/58;
E04B 1/5806; E04B 1/5818; E04B 2/58;
E04B 2/72; E04B 2/721; E04B 2002/725;
E04B 2002/726

See application file for complete search history.

(56) **References Cited**

U.S. PATENT DOCUMENTS

3,267,631	A *	8/1966	Hammitt	E04B 2/74 52/771
3,372,520	A *	3/1968	Hensel	E04B 2/58 52/489.1
D320,094	S *	9/1991	Miller	D25/119
D491,280	S *	6/2004	Barnett	D25/119
D491,281	S *	6/2004	Barnett	D25/119
D526,887	S *	8/2006	Remmers	D8/373
7,716,891	B2 *	5/2010	Radford	E04F 13/0805 52/506.08
D625,588	S *	10/2010	Norris	D8/382
D626,663	S *	11/2010	Stephens	D25/124
7,937,902	B1 *	5/2011	Smith	E04F 13/0889 52/235

(Continued)

Primary Examiner — Llorellys Martinez

(74) *Attorney, Agent, or Firm* — Bereskin & Parr LLP/
S.E.N.C.R.L..S.R.L.

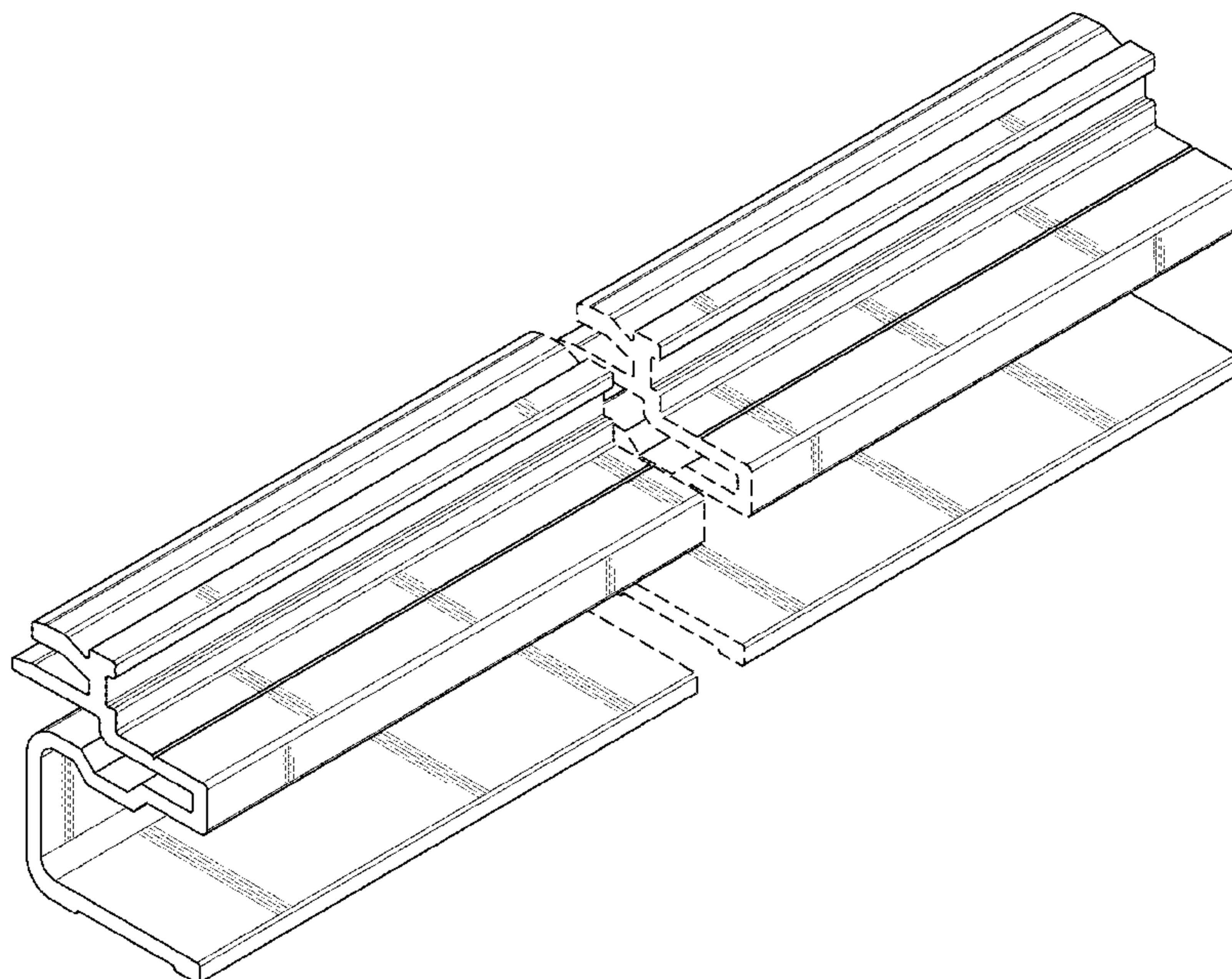
(57) **CLAIM**

The ornamental design for an architectural panel perimeter extrusion, as shown and described.

DESCRIPTION

FIG. 1 is a perspective view of the architectural panel perimeter extrusion;
FIG. 2 is a front view of the extrusion of FIG. 1;
FIG. 3 is a rear view of the extrusion of FIG. 1;
FIG. 4 is a right side view of the extrusion of FIG. 1;
FIG. 5 is a left side view of the extrusion of FIG. 1;
FIG. 6 is a top view of the extrusion of FIG. 1; and,
FIG. 7 is a bottom view of the extrusion of FIG. 1.
The architectural panel perimeter extrusion is shown with a symbolic break in its length. The appearance of any portion of the architectural panel perimeter extrusion between the break lines forms no part of the claimed design.

1 Claim, 4 Drawing Sheets



(56)

References Cited

U.S. PATENT DOCUMENTS

8,745,941 B2 * 6/2014 Macdonald E04F 13/0891
52/235
D744,667 S * 12/2015 Macdonald D25/124
D745,192 S * 12/2015 Suciú D25/119
9,416,529 B1 * 8/2016 Jeske E04B 1/41
D767,382 S * 9/2016 Libreiro D25/119
D767,793 S * 9/2016 Libreiro D25/125
D767,794 S * 9/2016 Libreiro D25/125
9,850,666 B2 * 12/2017 Libreiro E04F 13/0816
D815,308 S * 4/2018 Schuit D25/124
10,180,004 B1 * 1/2019 Simonsen E04F 13/0801
10,233,652 B1 * 3/2019 Hogan E04F 13/12
D875,898 S * 2/2020 Gori D25/119
10,612,247 B2 * 4/2020 Simonsen E04F 13/0889
2007/0022682 A1 * 2/2007 Morgenegg E04B 2/90
52/235
2009/0241451 A1 * 10/2009 Griffiths E04F 13/081
52/309.4
2012/0096799 A1 * 4/2012 Wright E04F 13/0816
52/578
2012/0198788 A1 * 8/2012 MacDonald E04F 13/0891
52/747.1
2013/0145705 A1 * 6/2013 Haab E04B 2/7401
52/235
2015/0300029 A1 * 10/2015 Pervan E04F 15/02038
52/582.2
2015/0345152 A1 * 12/2015 Libreiro E04F 13/0816
52/506.05
2016/0024801 A1 * 1/2016 Scherrer E04F 13/26
52/28
2016/0298338 A1 * 10/2016 Libreiro E04F 13/0821
2020/0256063 A1 * 8/2020 Franklin E04F 13/0803

* cited by examiner

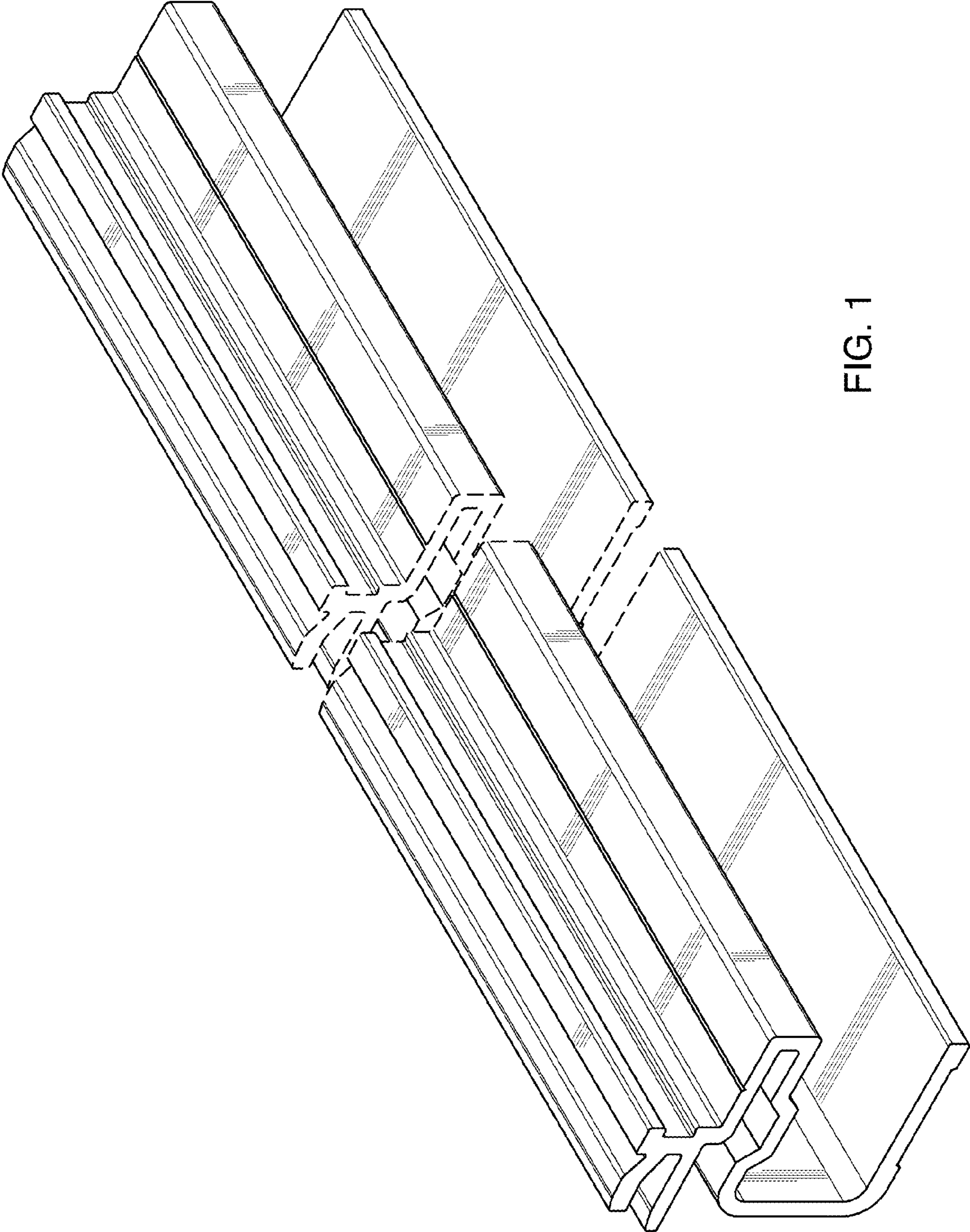


FIG. 1

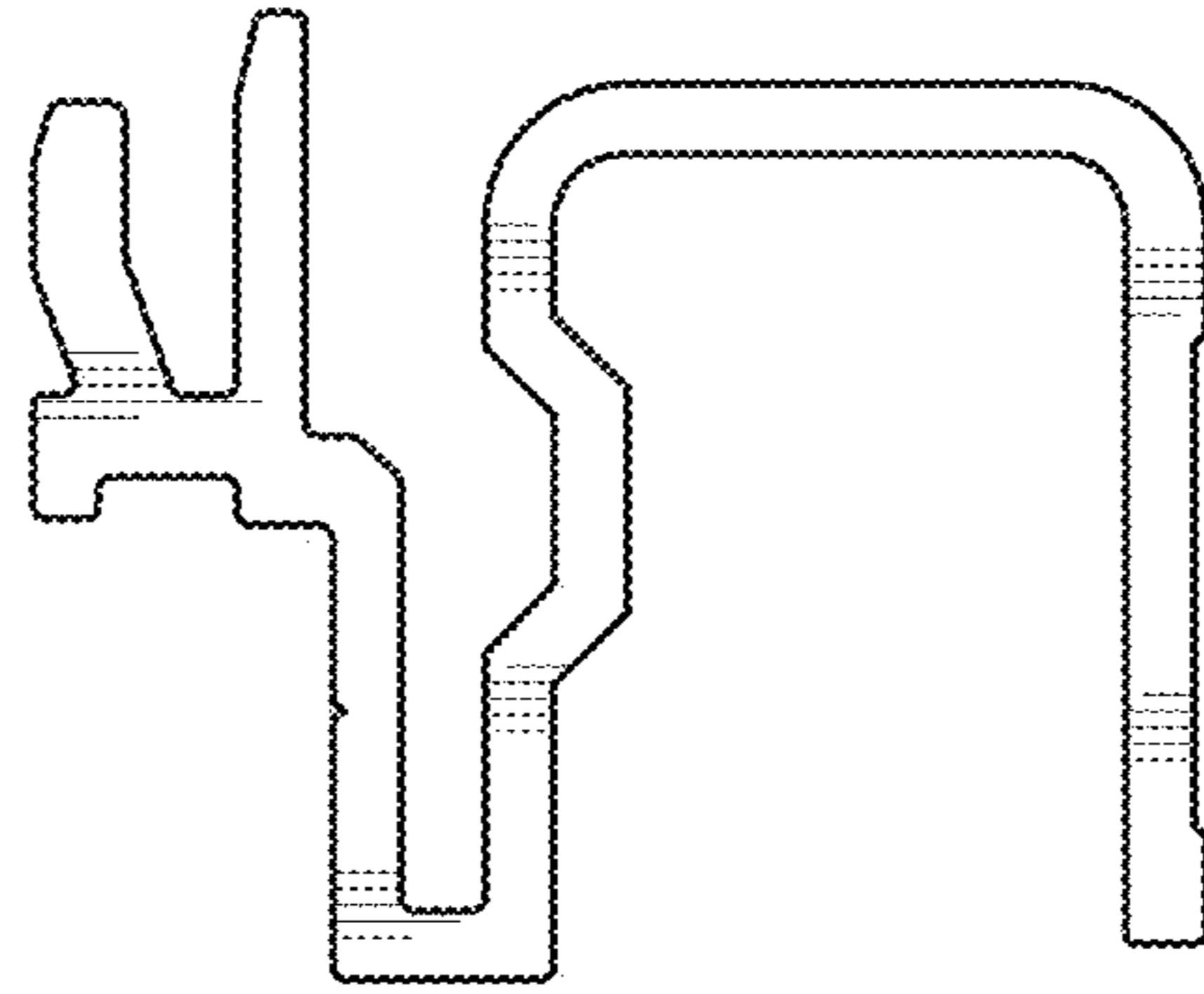


FIG. 3

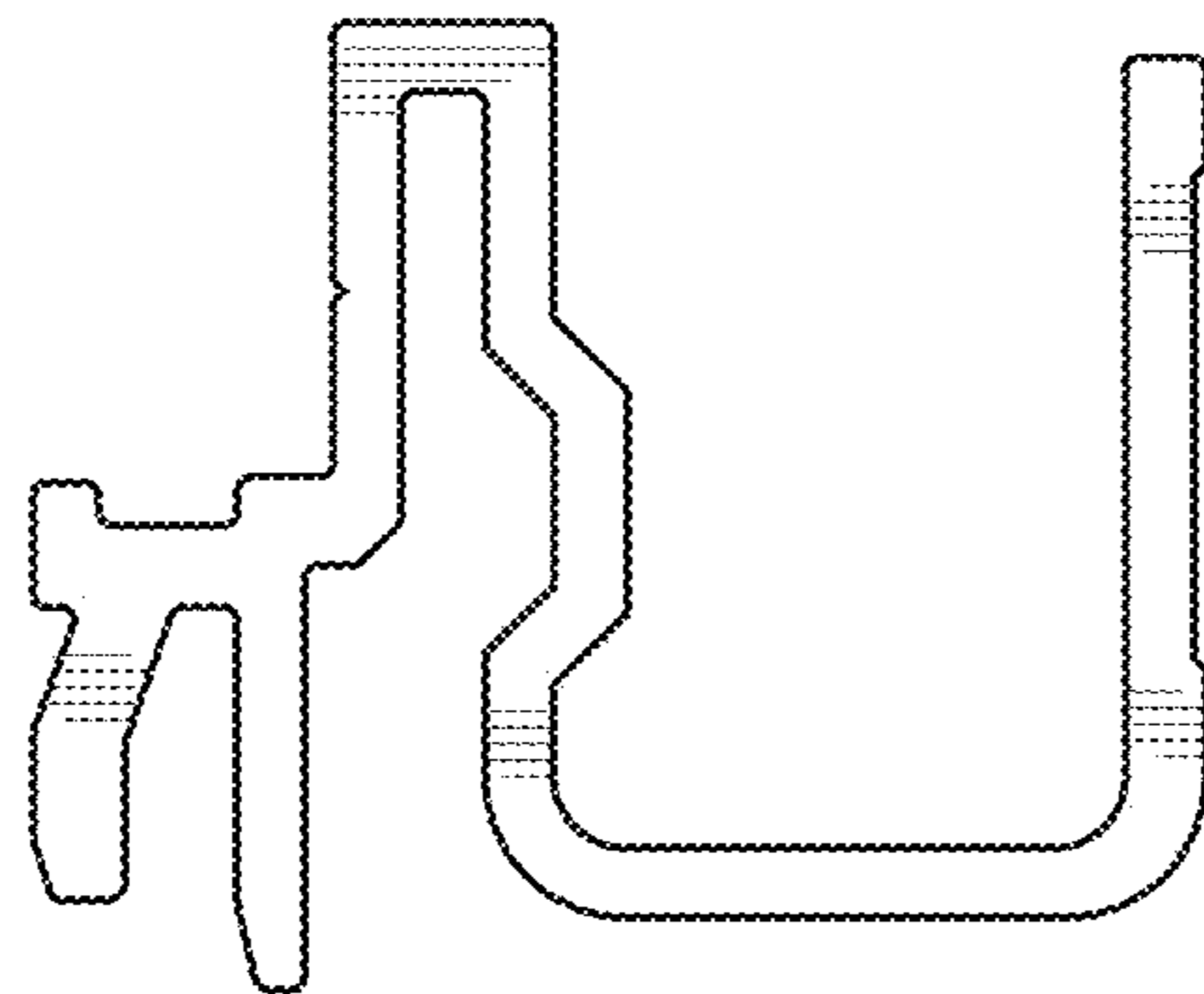


FIG. 2

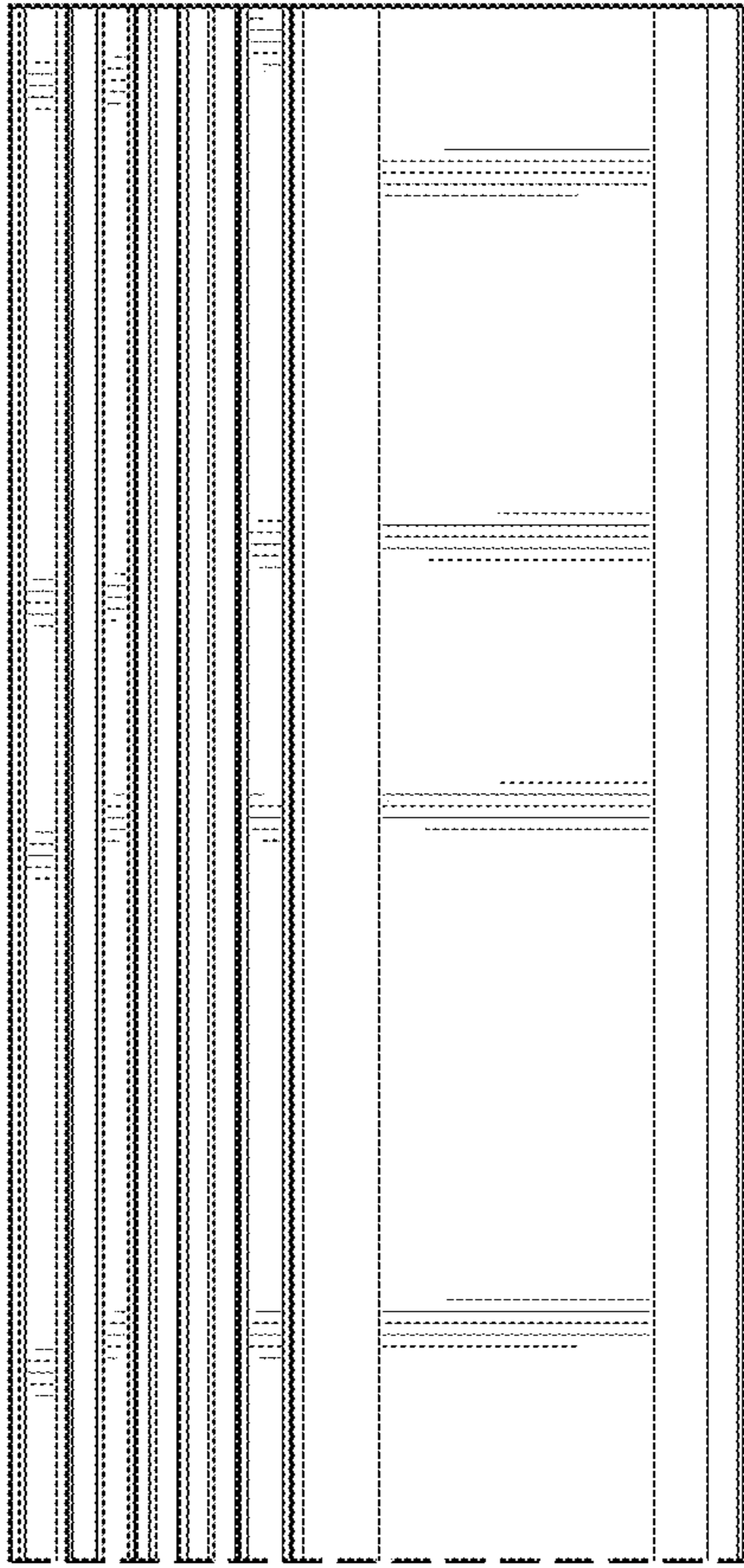


FIG. 4

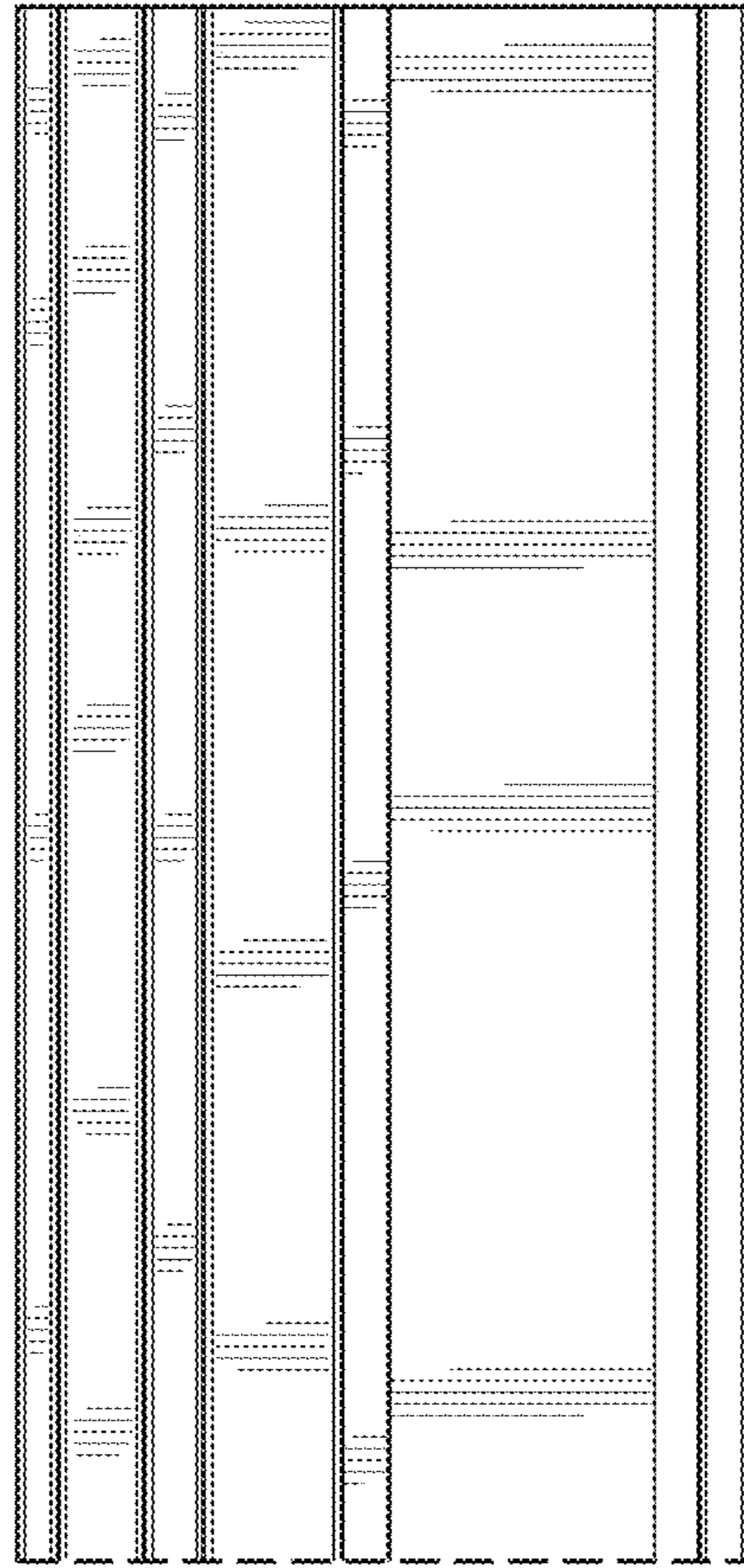
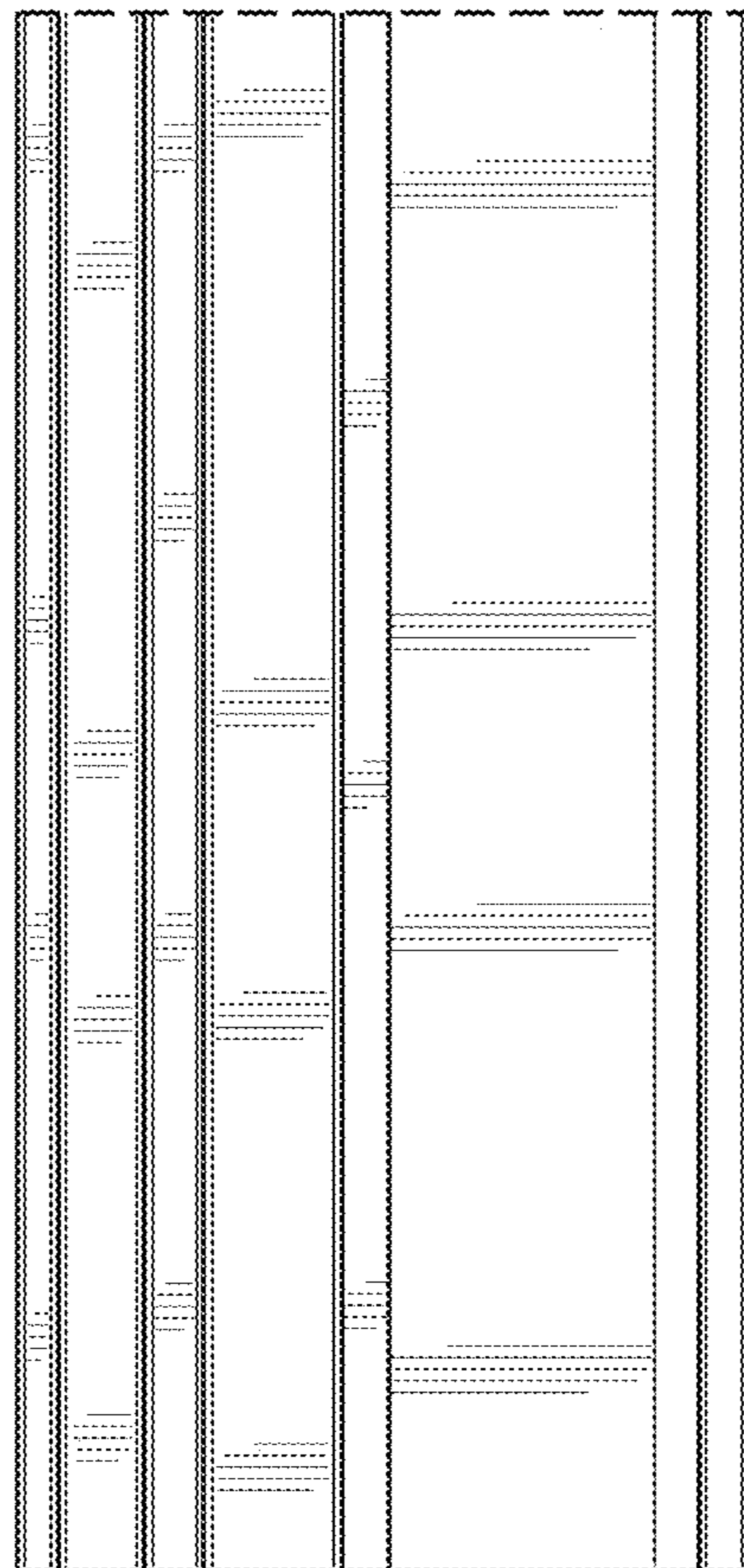
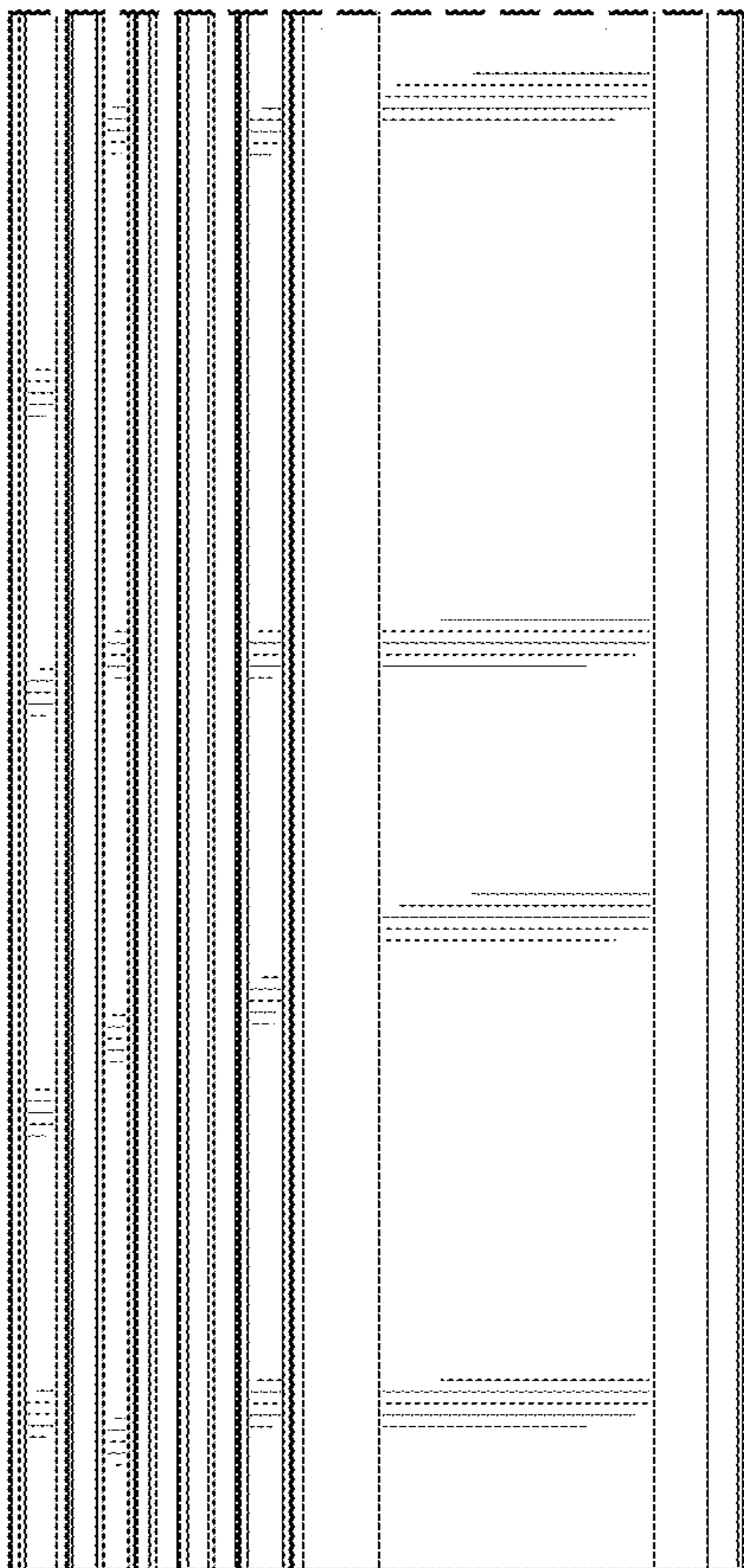


FIG. 5



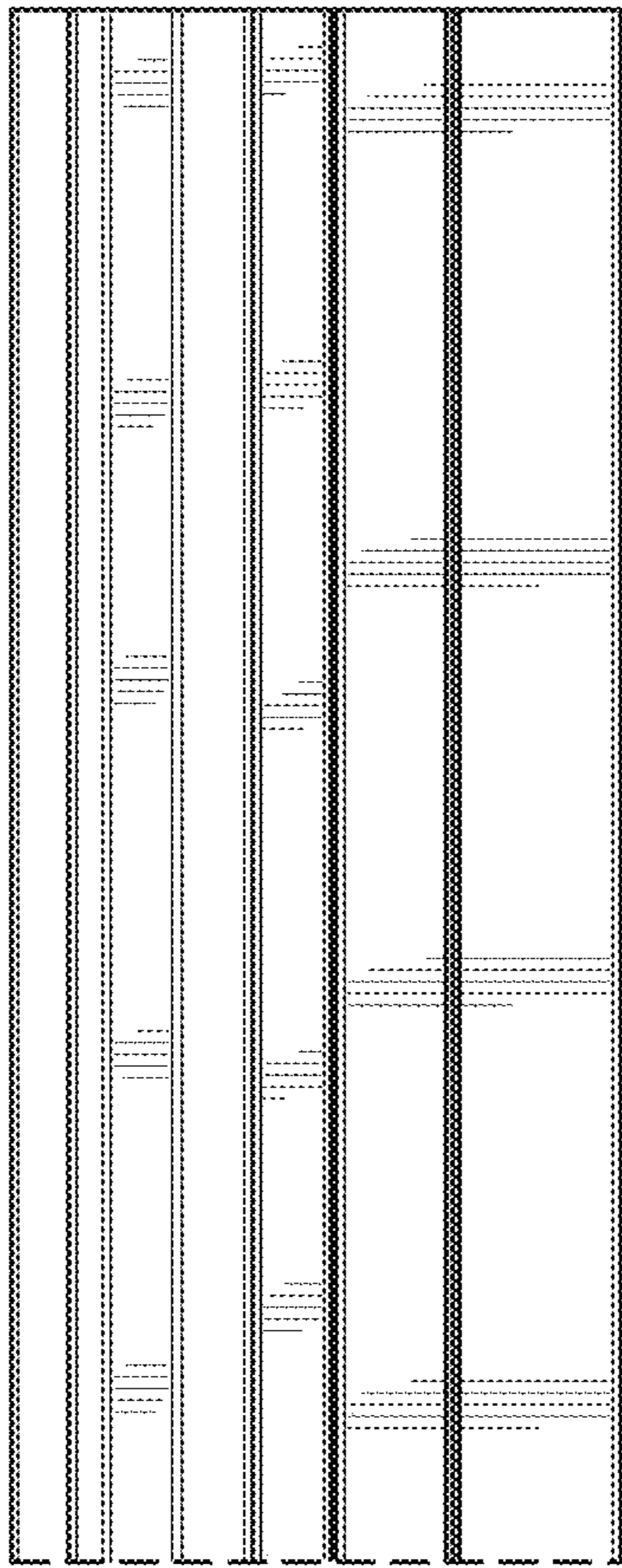


FIG. 6

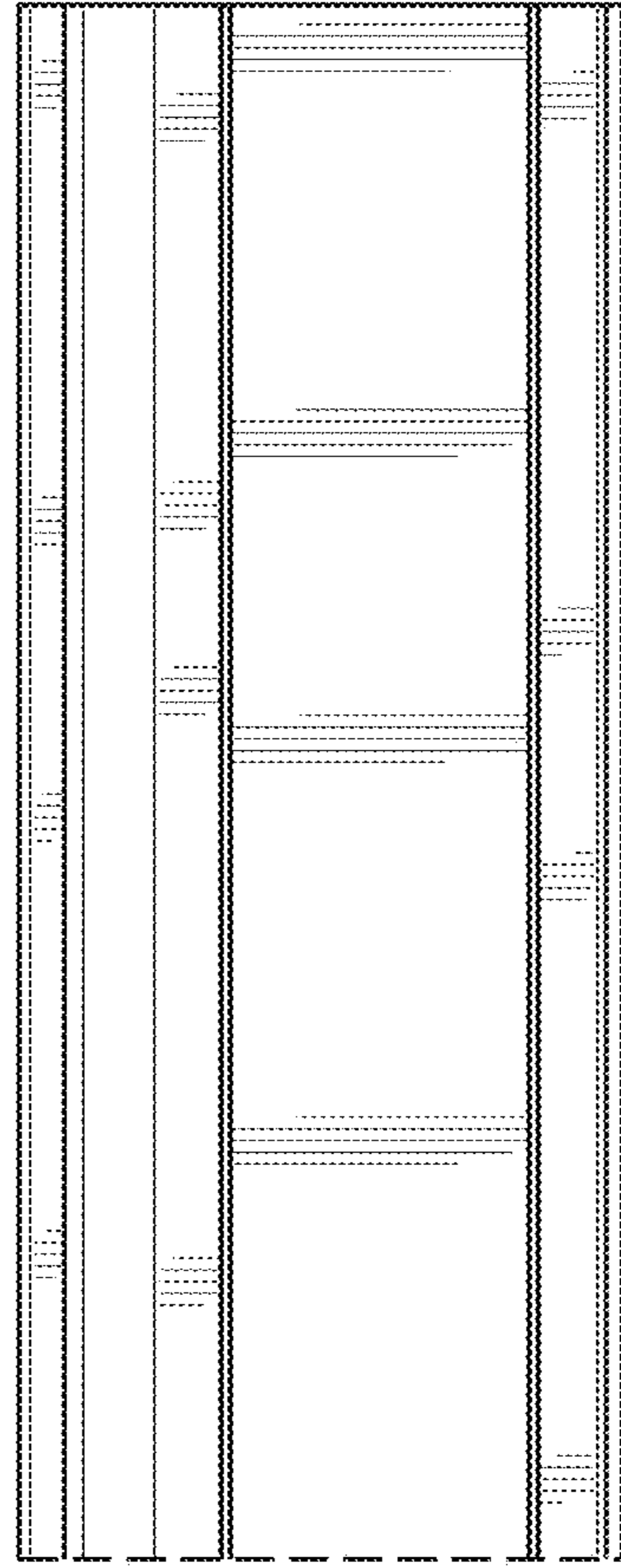


FIG. 7

