



US00D911556S

(12) **United States Design Patent**
Liistro

(10) **Patent No.:** **US D911,556 S**
(45) **Date of Patent:** **** Feb. 23, 2021**

(54) **BRICK**
(71) Applicant: **Brickworks Building Products Pty Ltd**, Horsley Park (AU)
(72) Inventor: **Roberto Sebastian Liistro**, Horsley Park (AU)
(73) Assignee: **BRICKWORKS BUILDING PRODUCTS PTY LTD**, Horsley Park (AU)

3,562,988 A * 2/1971 Gregoire E04B 2/08
52/279
3,562,989 A * 2/1971 Gregoire E04B 2/08
52/279
D661,525 S * 6/2012 Watts D25/119
D713,474 S * 9/2014 Roberson D21/484
D774,212 S * 12/2016 Malpesa Guerrero D25/113
D774,662 S * 12/2016 Malpesa Guerrero D25/113
D776,829 S * 1/2017 Malpesa Guerrero D25/115
D887,023 S * 6/2020 Felix D25/113
2015/0068149 A1* 3/2015 Huff E04F 13/24
52/563

(Continued)

(**) Term: **15 Years**
(21) Appl. No.: **29/700,880**
(22) Filed: **Aug. 6, 2019**

FOREIGN PATENT DOCUMENTS

AU 201911536 4/2019
AU 201911537 4/2019
AU 201911539 4/2019

(Continued)

(30) **Foreign Application Priority Data**

Mar. 21, 2019 (AU) 201911538

(51) **LOC (13) Cl.** **25-01**
(52) **U.S. Cl.**
USPC **D25/115**
(58) **Field of Classification Search**
USPC D21/484-491, 499-504; D25/112-118
CPC E04G 21/20; E04G 21/22; B28B 19/0061;
E04B 2002/0282; E04B 2002/0297; E04B
1/68; E04B 2/04; E04B 2/08; E04B 2/32;
E04C 2/042; E04C 2002/007; E04F
15/08; E04D 11/00

See application file for complete search history.

OTHER PUBLICATIONS

M Z M Bosro et al 2018 IOP Conf. Ser.: Earth Environ. Sci. 140
012135.

Primary Examiner — Leanne Was-Englehart
(74) *Attorney, Agent, or Firm* — Workman Nydegger

(57) **CLAIM**

The ornamental design for a brick, as shown and described.

DESCRIPTION

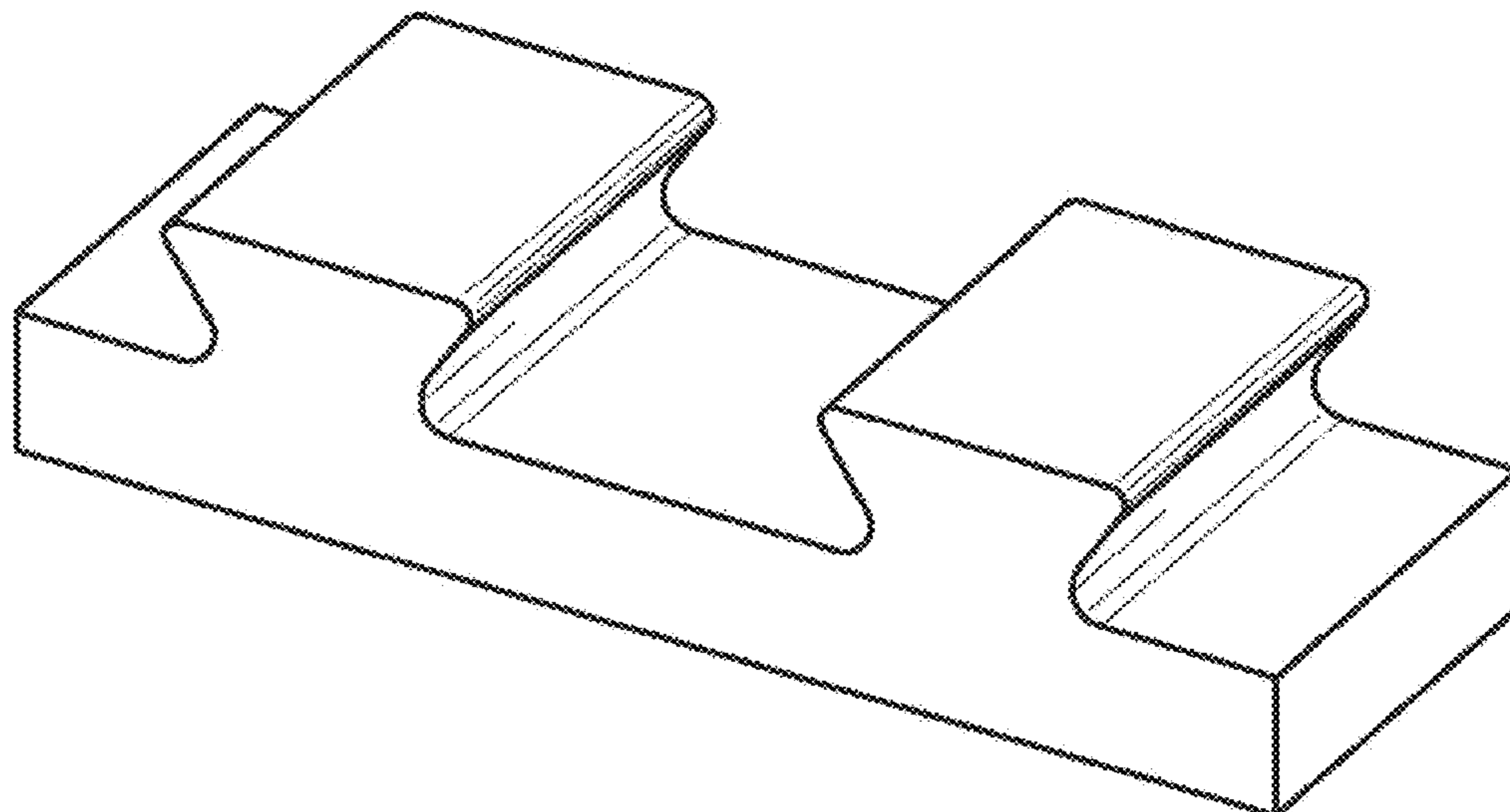
FIG. 1 is a top, front, right perspective view of a brick;
FIG. 2 is a top view thereof;
FIG. 3 is a bottom view thereof;
FIG. 4 is a front view thereof;
FIG. 5 is a rear view thereof;
FIG. 6 is a left-side view thereof; and,
FIG. 7 is a right-side view thereof.

1 Claim, 4 Drawing Sheets

(56) **References Cited**

U.S. PATENT DOCUMENTS

802,903 A * 10/1905 Anderson 52/279
2,104,307 A * 1/1938 Miller E04F 15/04
144/354
3,228,159 A * 1/1966 Miller E04F 13/007
52/222
3,242,626 A * 3/1966 Blok E04F 13/0803
52/478



(56)

References Cited

U.S. PATENT DOCUMENTS

2020/0299981 A1* 9/2020 Liistro E04G 21/22

FOREIGN PATENT DOCUMENTS

NZ	425980	5/2019
NZ	425981	5/2019
NZ	425978	6/2019
NZ	425979	6/2019

* cited by examiner

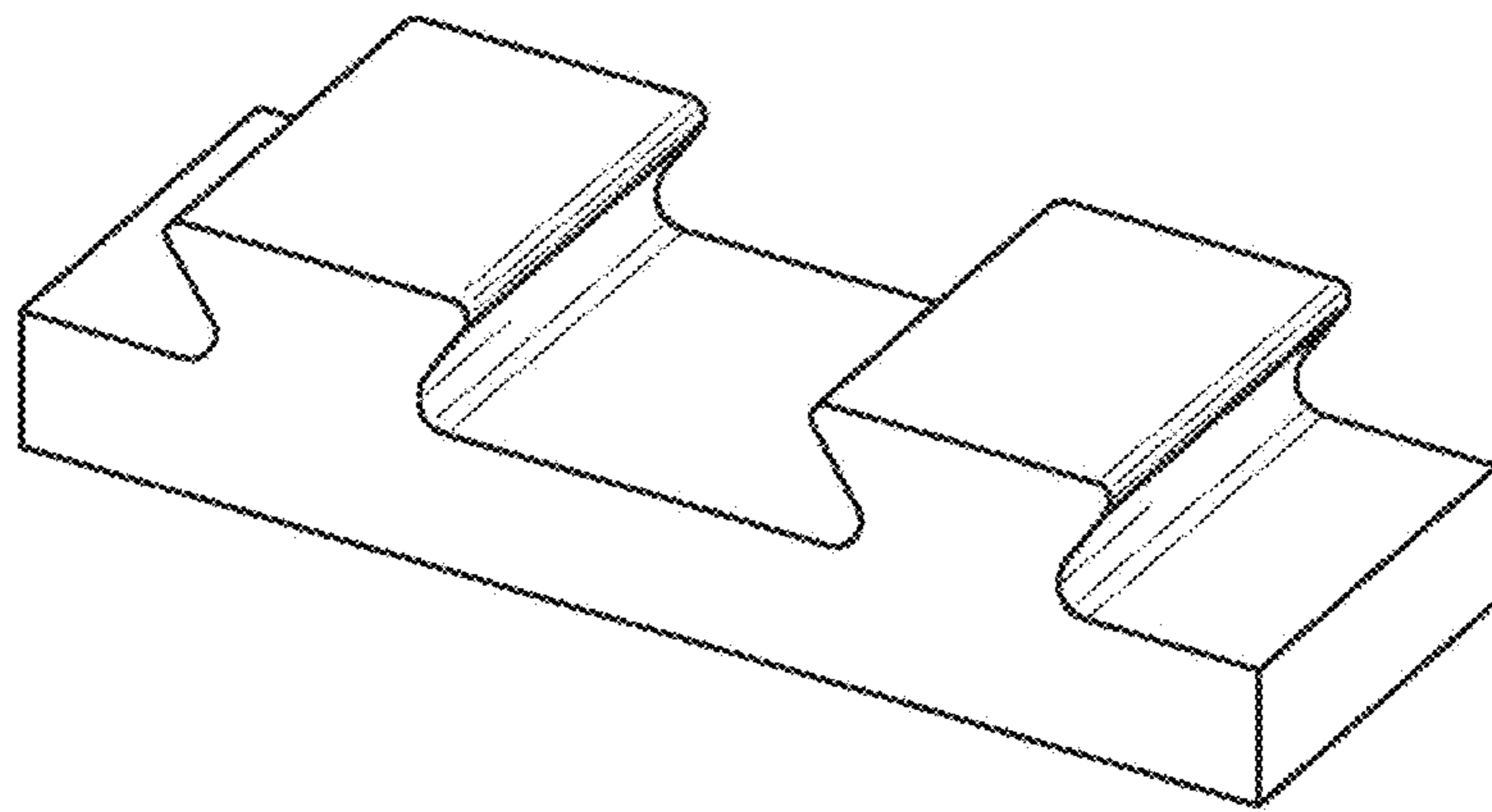


FIG. 1

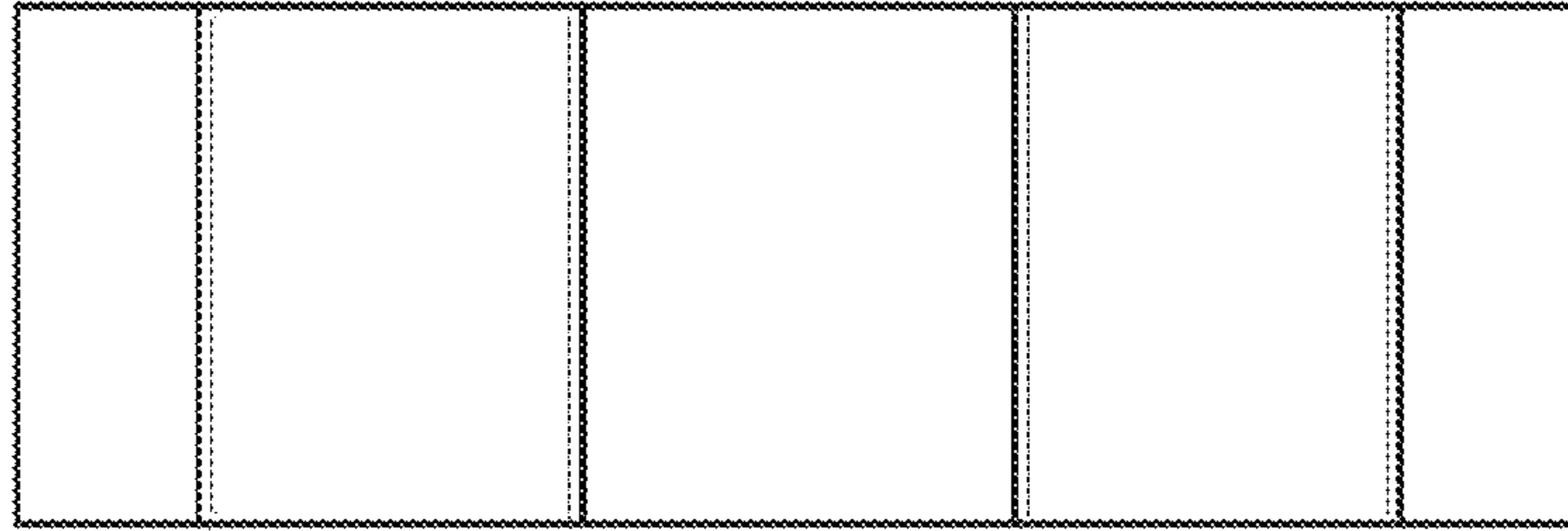


FIG. 2



FIG. 3

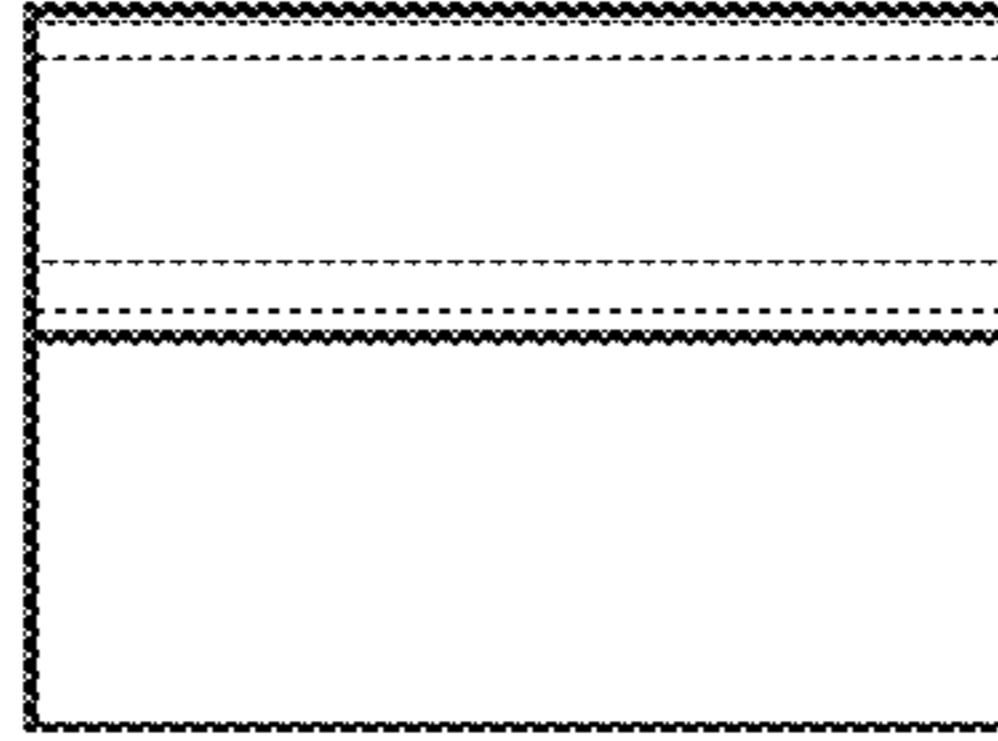


FIG. 4

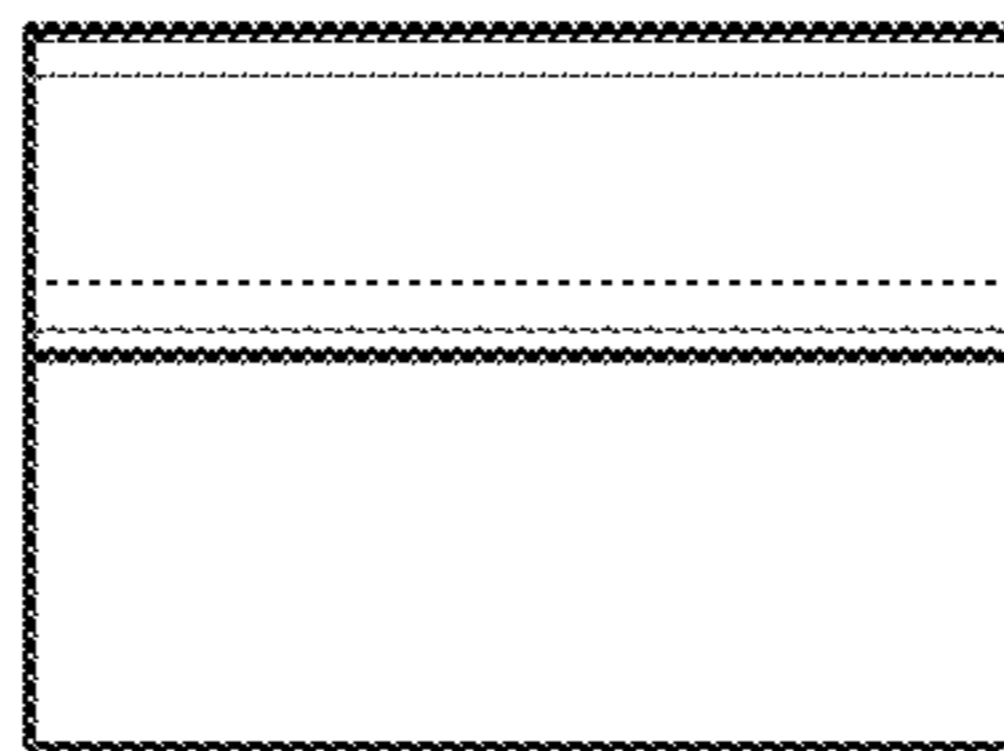


FIG. 5

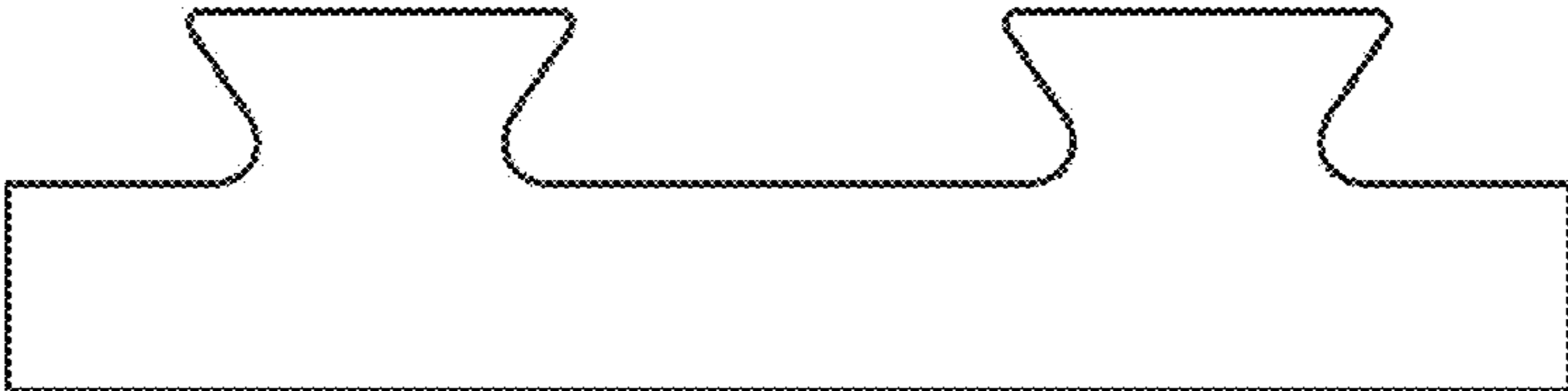


FIG. 6



FIG. 7