



US00D911555S

(12) **United States Design Patent**
Maxfield et al.

(10) **Patent No.:** **US D911,555 S**

(45) **Date of Patent:** **** Feb. 23, 2021**

(54) **TOP CAP FOR A LADDER**
(71) Applicant: **LITTLE GIANT LADDER SYSTEMS, LLC**, Springville, UT (US)

(72) Inventors: **B. Scott Maxfield**, Spanish Fork, UT (US); **N. Ryan Moss**, Mapleton, UT (US); **Brian B. Russell**, Saratoga Springs, UT (US)

(73) Assignee: **LITTLE GIANT LADDER SYSTEMS, LLC**, Springville, UT (US)

(**) Term: **15 Years**

(21) Appl. No.: **29/679,726**

(22) Filed: **Feb. 8, 2019**

(51) **LOC (13) Cl.** **25-04**

(52) **U.S. Cl.**
USPC **D25/68**

(58) **Field of Classification Search**
USPC D25/62-69; 182/206
CPC ... E06C 7/48; E06C 7/14; E06C 7/488; E06C 7/143; E06C 1/36; E06C 7/50; E06C 7/086; E06C 7/188; E06C 7/182
See application file for complete search history.

(56) **References Cited**

U.S. PATENT DOCUMENTS

D310,884	S	*	9/1990	Patton	D25/68
D340,773	S	*	10/1993	Bartnicki	D25/68
8,186,481	B2		5/2012	Moss et al.		
9,016,434	B2		4/2015	Moss et al.		
D766,461	S	*	9/2016	Moss	D25/64
D766,462	S	*	9/2016	Moss	D25/64
D766,463	S	*	9/2016	Moss	D25/68
10,487,576	B2	*	11/2019	Ballard	E06C 7/06
10,487,578	B2	*	11/2019	Smith	E06C 7/003

10,597,941	B2	*	3/2020	Moss	E06C 7/46
2016/0076304	A1		3/2016	Smith et al.		
2017/0356244	A1		12/2017	Peterson et al.		
2018/0230746	A1		8/2018	Maxfield et al.		
2018/0298691	A1		10/2018	Cook et al.		

OTHER PUBLICATIONS

Design U.S. Appl. No. 29/667,356, filed Oct. 19, 2018.
Design U.S. Appl. No. 29/667,352, filed Oct. 19, 2018.
Design U.S. Appl. No. 29/667,354, filed Oct. 19, 2018.
Design U.S. Appl. No. 29/667,357, filed Oct. 19, 2018.
Design U.S. Appl. No. 29/679,726, filed Feb. 8, 2019.
Design U.S. Appl. No. 29/679,733, filed Feb. 8, 2019.
Provisional U.S. Appl. No. 62/514,348, filed Jun. 2, 2017.
Provisional U.S. Appl. No. 62/732,997, filed Sep. 18, 2018.

* cited by examiner

Primary Examiner — Gino Colan

(74) *Attorney, Agent, or Firm* — Dorsey & Whitney LLP

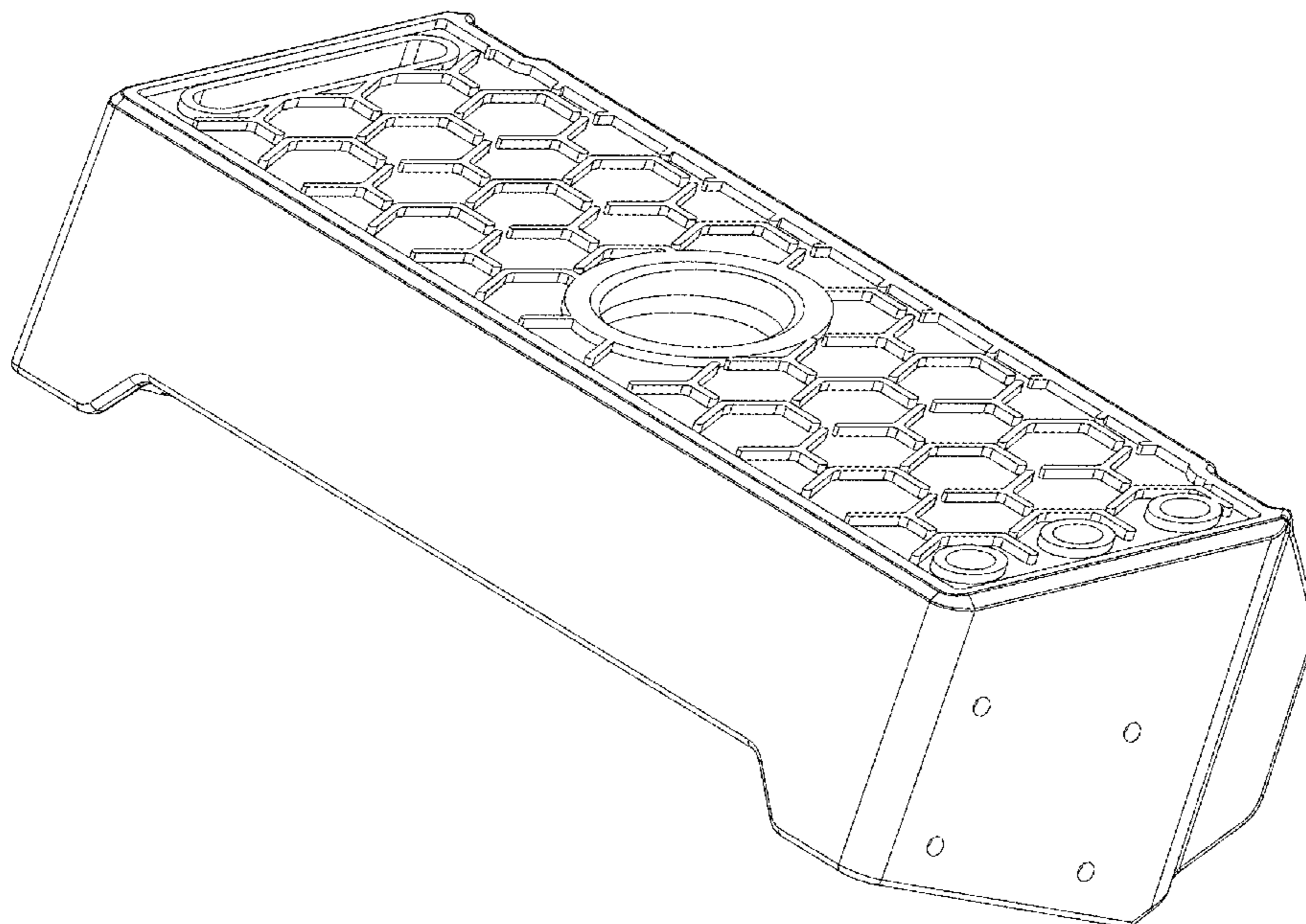
(57) **CLAIM**

The ornamental design for a top cap for a ladder, as shown and described.

DESCRIPTION

FIG. 1 is a front perspective view of a top cap for a ladder; FIG. 2 is rear perspective view of the top cap shown in FIG. 1; FIG. 3 is a front view of the top cap shown in FIG. 1; FIG. 4 is a rear view of the top cap shown in FIG. 1; FIG. 5 is a right side view of the top cap shown in FIG. 1; FIG. 6 is a left side view of the top cap shown in FIG. 1; FIG. 7 is a top side view of the top cap shown in FIG. 1; and, FIG. 8 is a bottom view of the top cap shown in FIG. 1. Any broken lines shown in the figure are for the purpose of illustrating boundaries and form no part of the claimed design.

1 Claim, 7 Drawing Sheets



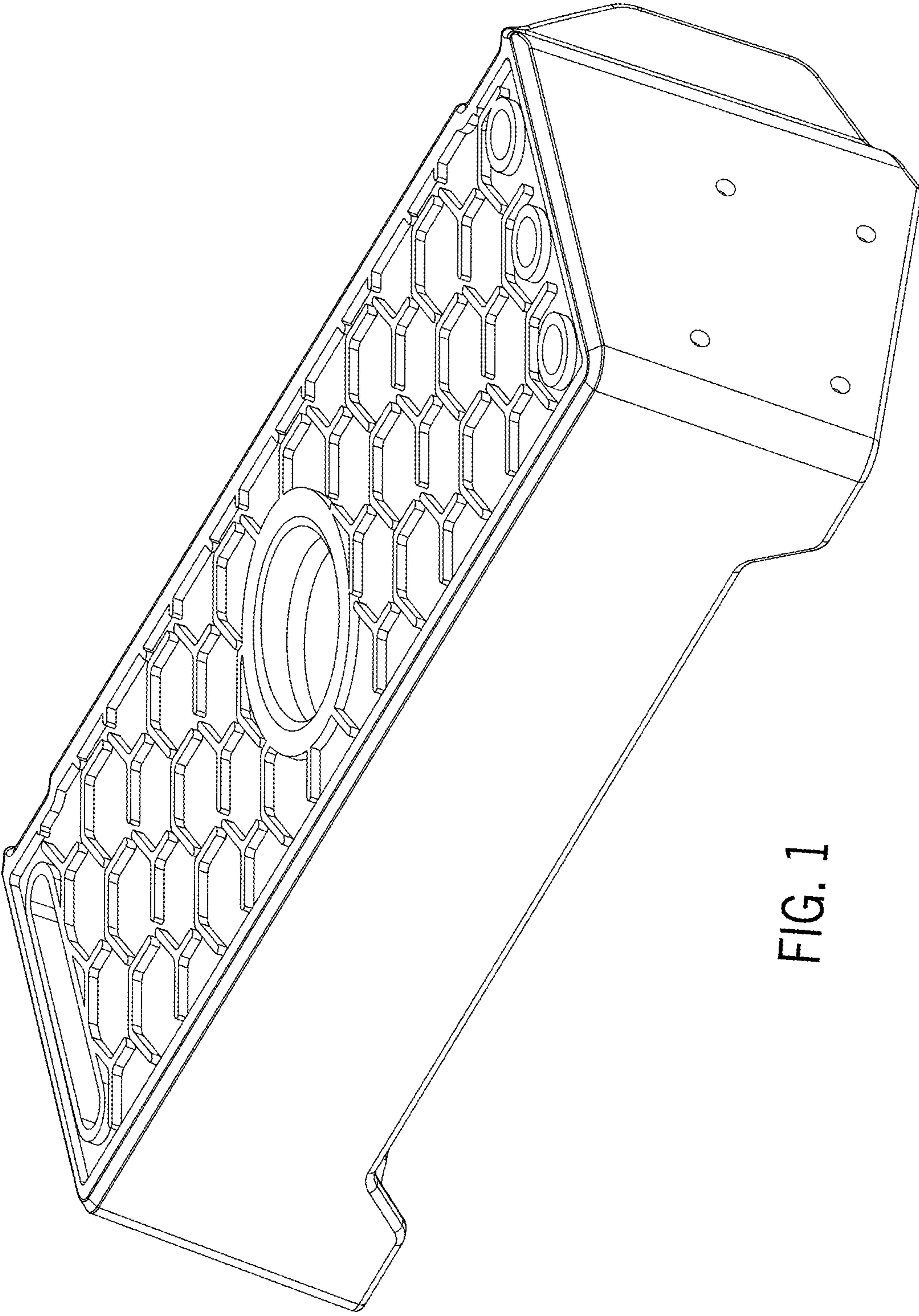


FIG. 1

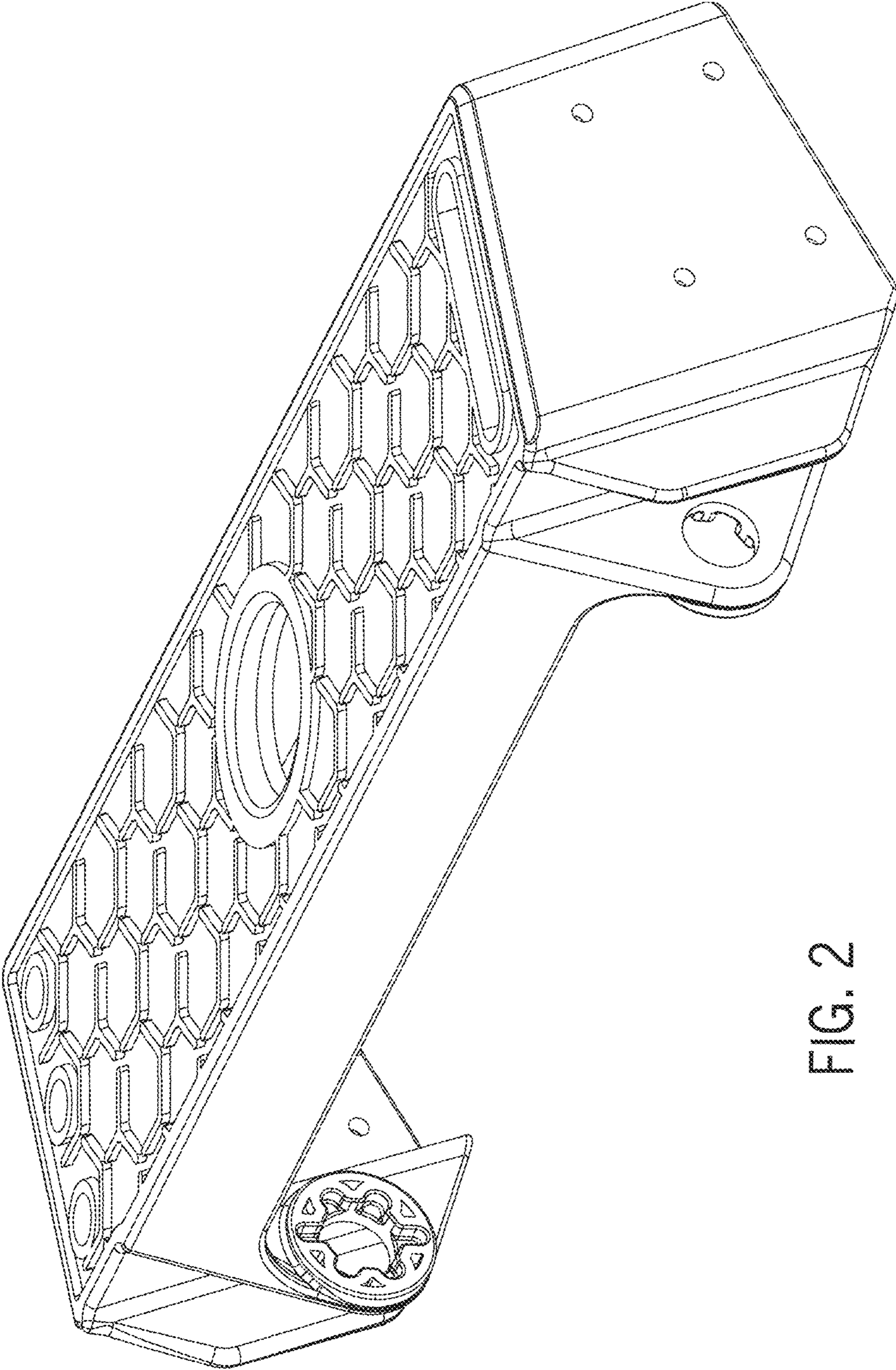


FIG. 2

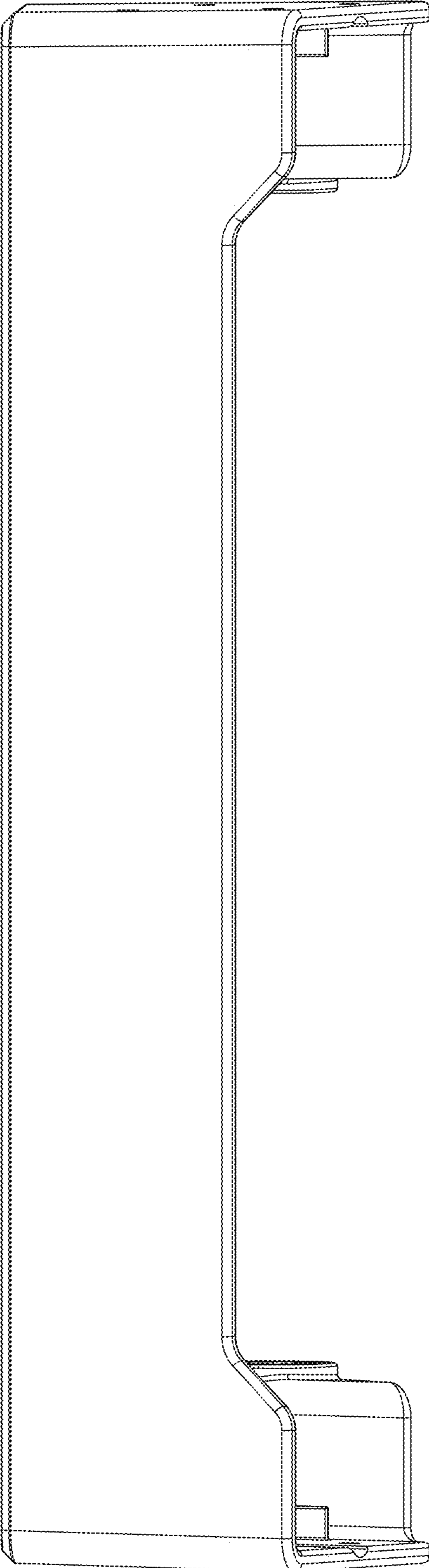


FIG. 3

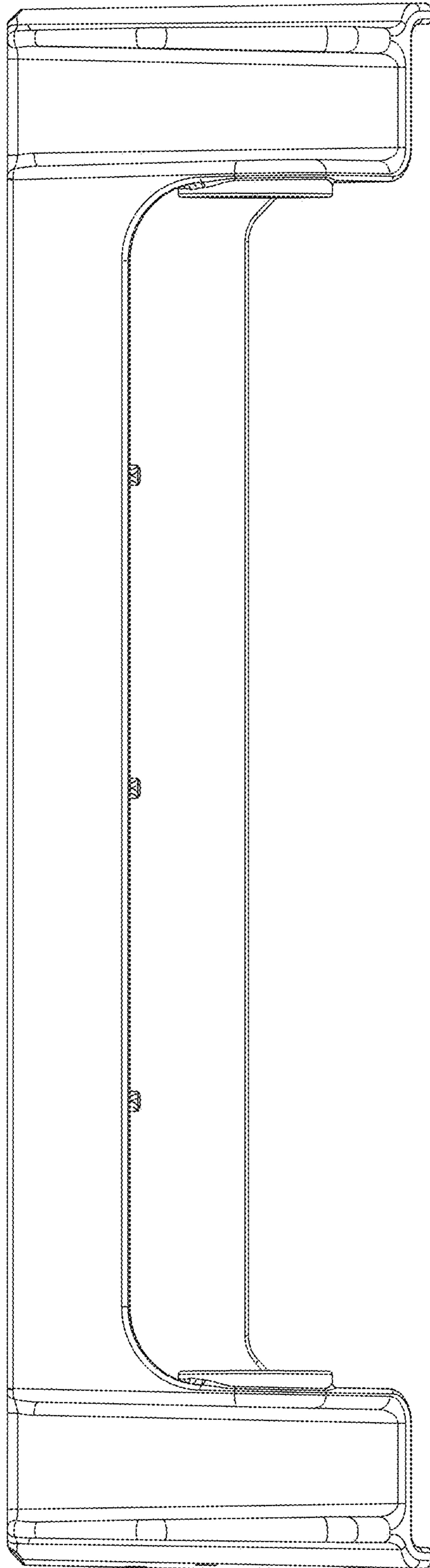


FIG. 4

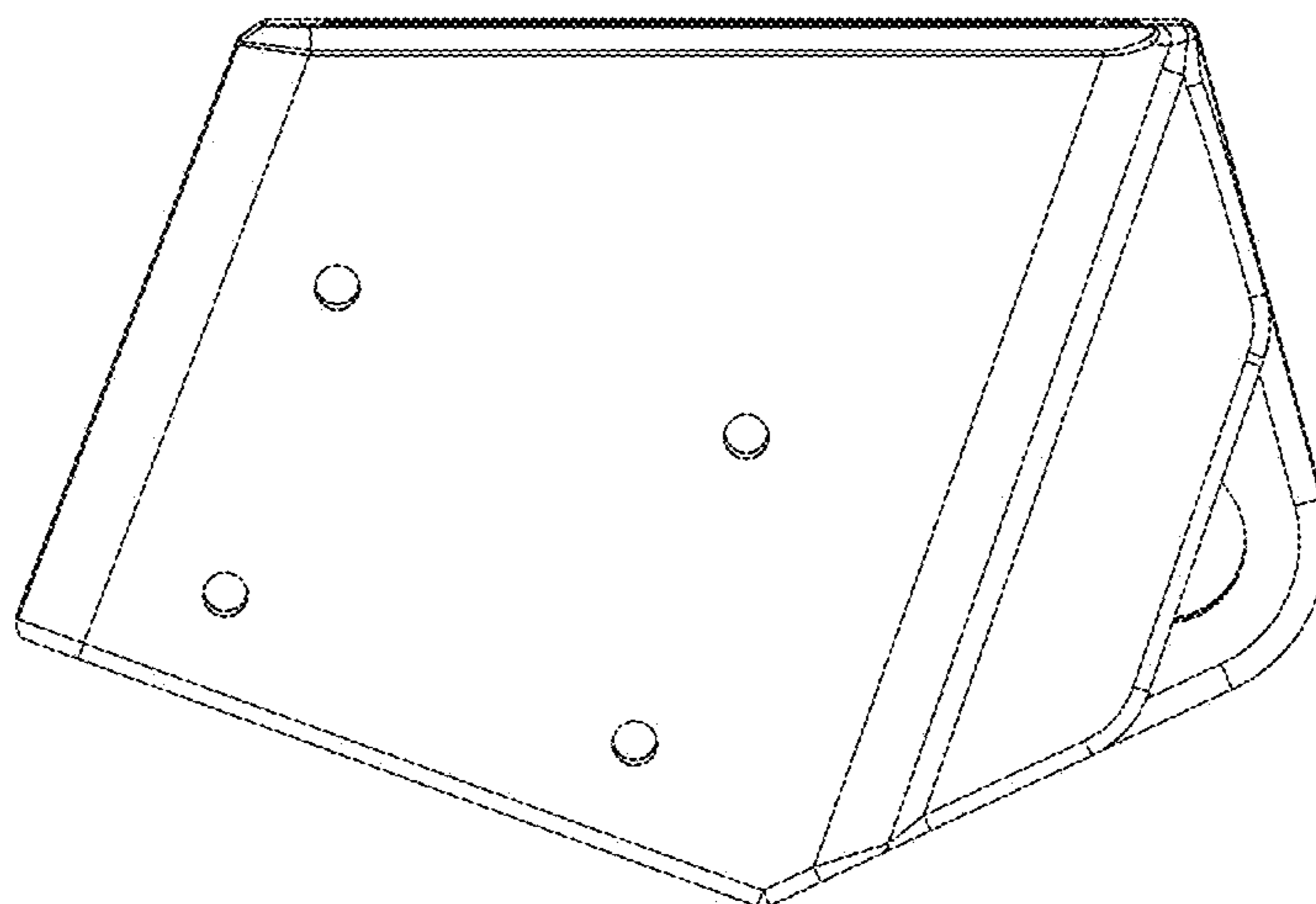


FIG. 5

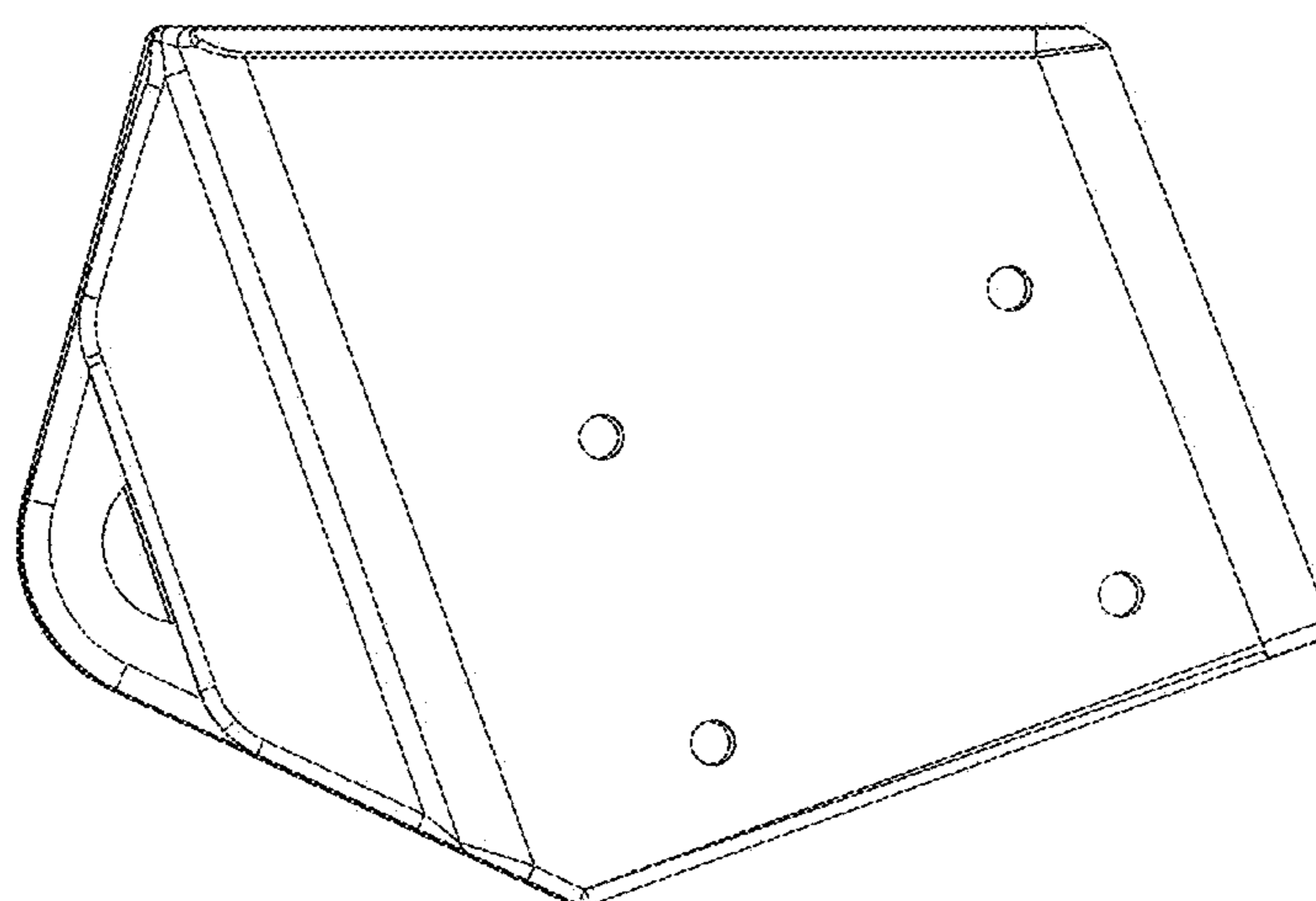


FIG. 6

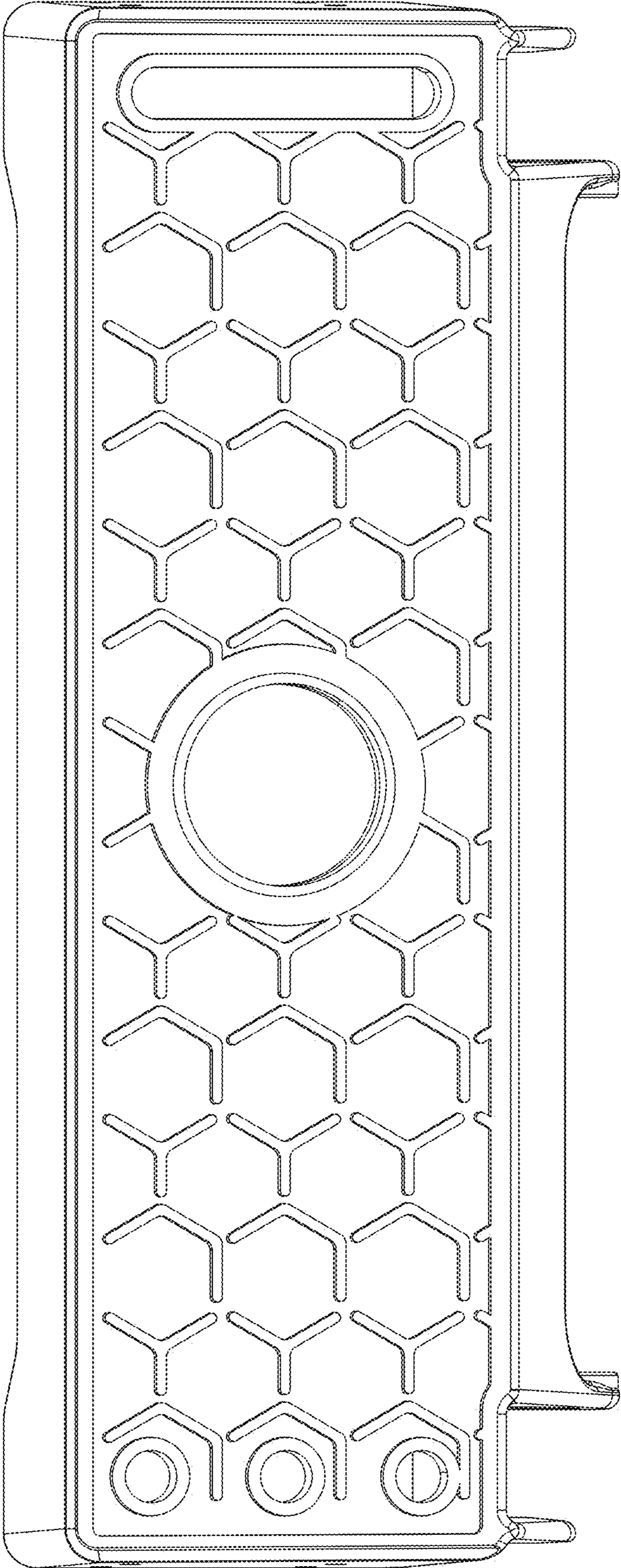


FIG. 7

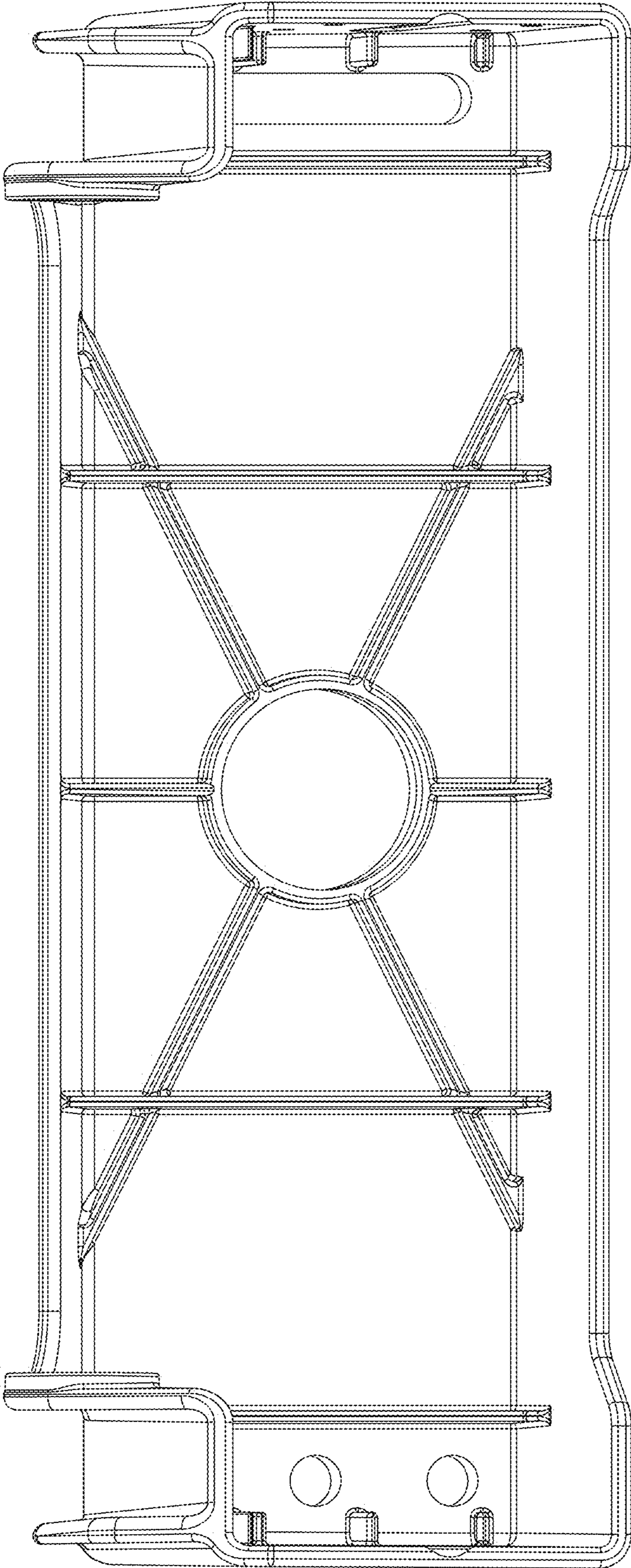


FIG. 8