



US00D911553S

(12) **United States Design Patent** (10) **Patent No.:** **US D911,553 S**
Konczak et al. (45) **Date of Patent:** **** Feb. 23, 2021**

(54) **MODULAR DRIVE-THRU BUILDING**

(71) Applicants: **Jeffrey J. Konczak**, Alpena, MI (US);
Kevin Stevens, Ossineke, MI (US)

(72) Inventors: **Jeffrey J. Konczak**, Alpena, MI (US);
Kevin Stevens, Ossineke, MI (US)

(**) Term: **15 Years**

(21) Appl. No.: **29/659,039**

(22) Filed: **Aug. 6, 2018**

(51) **LOC (13) Cl.** **25-03**

(52) **U.S. Cl.**
USPC **D25/22**

(58) **Field of Classification Search**
USPC D25/1, 3-35, 56, 58, 59, 61, 62
(Continued)

(56) **References Cited**

U.S. PATENT DOCUMENTS

D112,954 S * 1/1939 Aldrich D25/34
D211,080 S * 5/1968 Shelstad D25/27

(Continued)

FOREIGN PATENT DOCUMENTS

CN 302484864 * 6/2013
FR 20104992-001 * 12/2014
JP D1493775 * 3/2014

OTHER PUBLICATIONS

Nate Eaton, Dutch Bros opens in Idaho Falls Wednesday with free drinks, May 1, 2018, <https://www.eastidahonews.com/2018/05/dutch-bros-opens-in-idaho-falls-wednesday-with-free-drinks-for-customers/> (Year: 2018).*

(Continued)

Primary Examiner — Brett Miller

(74) *Attorney, Agent, or Firm* — Dickinson Wright PLLC

(57) **CLAIM**

We claim the ornamental design for a modular drive-thru building, as shown and described.

DESCRIPTION

FIG. 1 is a perspective end view of a modular drive-thru building, taken from an elevated left side vantage point.

FIG. 2 is a perspective end view of the modular drive-thru building of FIG. 1, taken from the left side of a first end of the building.

FIG. 3 is a perspective end view of the modular drive-thru building of FIG. 1, taken from the right side of the first end of the building.

FIG. 4 is an end elevation view of the modular drive-thru building of FIG. 1, taken from the first end of the building.

FIG. 5 is an end elevation view of the modular drive-thru building of FIG. 1, taken from a second opposite end of the building.

FIG. 6 is a left side elevation of the modular drive-thru building of FIG. 1.

FIG. 7 is a right side elevation view of the modular drive-thru building of FIG. 1.

FIG. 8 is a top plan view of the modular drive-thru building of FIG. 1.

FIG. 9 is a further perspective end view of the modular drive-thru building of FIGS. 1-8, taken from an elevated left side vantage point.

FIG. 10 is a further perspective end view of the modular drive-thru building of FIGS. 1-8, taken from the left side of a first end of the building.

FIG. 11 is a further perspective end view of the modular drive-thru building of FIGS. 1-8, taken from the right side of the first end of the building.

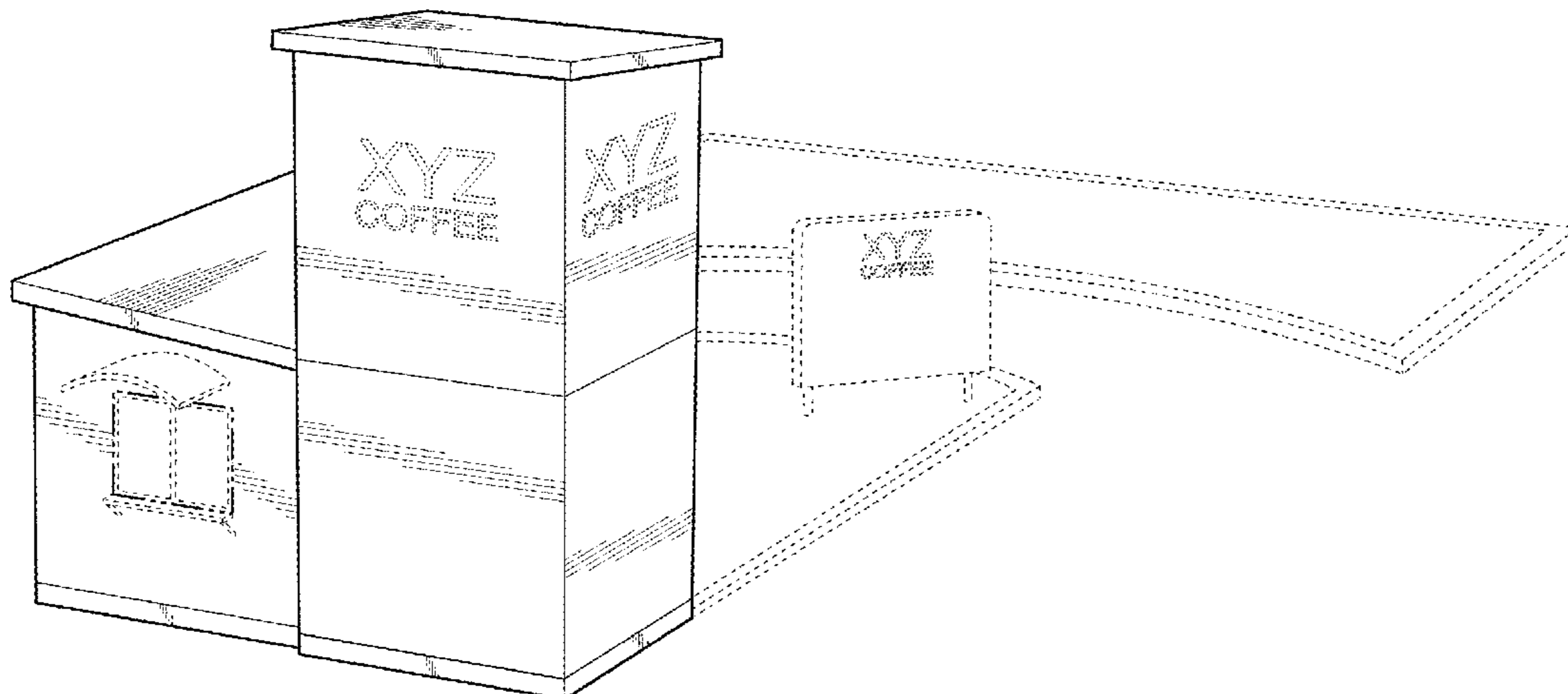
FIG. 12 is a further end elevation view of the modular drive-thru building of FIGS. 1-8, taken from the first end of the building.

FIG. 13 is a further end elevation view of the modular drive-thru building of FIGS. 1-8, taken from a second opposite end of the building.

FIG. 14 is a further left side elevation of the modular drive-thru building of FIGS. 1-8; and,

FIG. 15 is a further right side elevation view of the modular drive-thru building of FIGS. 1-8.

(Continued)



Any structure illustrated in broken lines is environmental in nature and forms no part of the claimed design. The dash-dot-dot-dash lines define boundaries of the claim. The bottom view is flat and devoid of ornamentation and forms no part of the claimed design.

1 Claim, 11 Drawing Sheets

(58) Field of Classification Search

CPC E04H 1/00-06; E04H 3/00-10; E04H 1/12-1277; E04H 1/005; E04H 3/12-126; E04B 1/348; E04B 1/3483

See application file for complete search history.

(56) References Cited

U.S. PATENT DOCUMENTS

D219,577 S * 12/1970 Fiedler D25/22
D220,170 S * 3/1971 Criswell D25/33

D266,592 S * 10/1982 Bavis D25/1
D283,166 S * 3/1986 Gardner D25/1
5,109,956 A 5/1992 Casale et al.
D354,815 S * 1/1995 Hassett D25/16
5,613,331 A 3/1997 LaGanke
D434,155 S * 11/2000 Webb D25/1
8,622,453 B1 1/2014 Karapetian, Jr.
D734,493 S * 7/2015 Baldwin D25/22
D823,480 S * 7/2018 Balzer D25/10
2007/0039253 A1* 2/2007 Snowden E04H 1/1222
52/79.1
2009/0255195 A1 10/2009 Bridgman et al.
2015/0075271 A1 3/2015 Tracy et al.

OTHER PUBLICATIONS

GSR Drive Thru & Dine-In Restaurant, Jan. 17, 2017, <https://americanmodulartechnologies.com/restaurants.htm> (Year: 2017).*

* cited by examiner

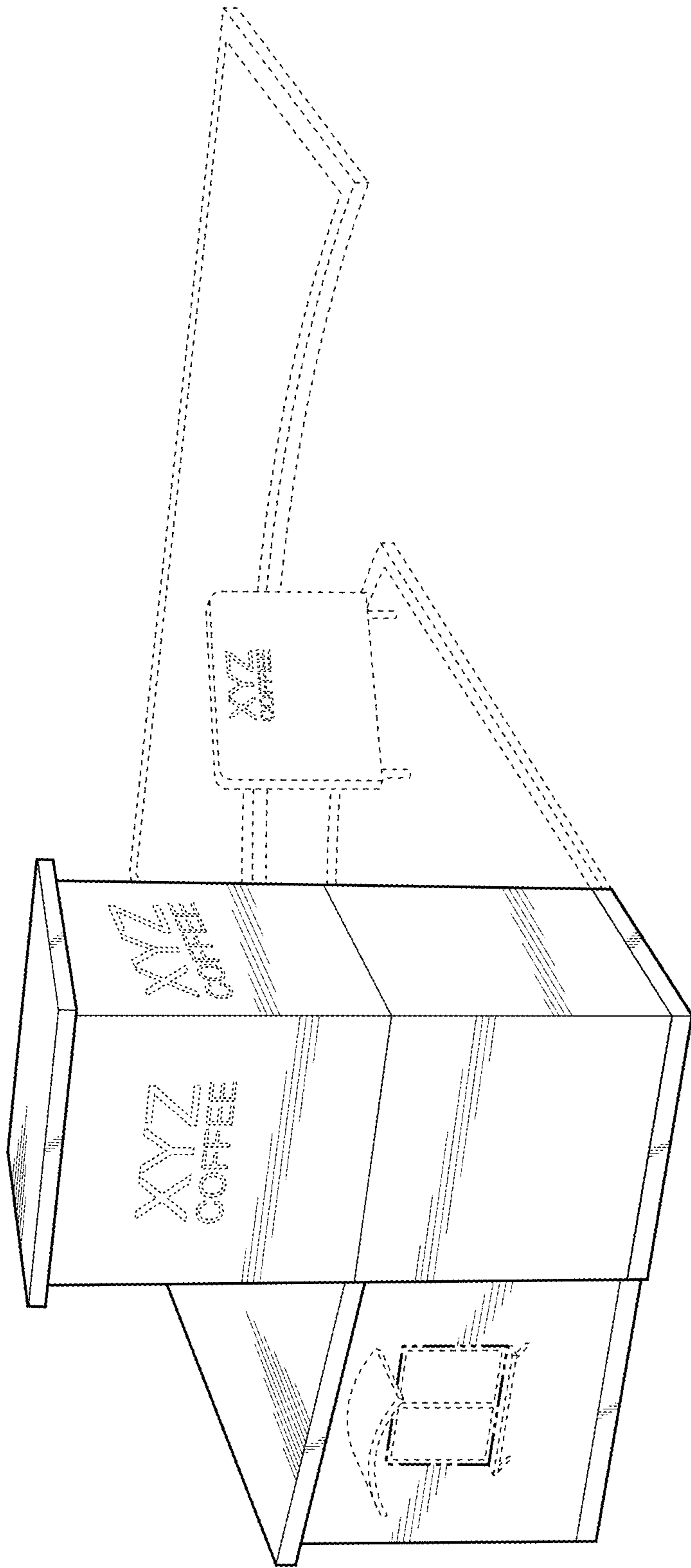


FIG. 1

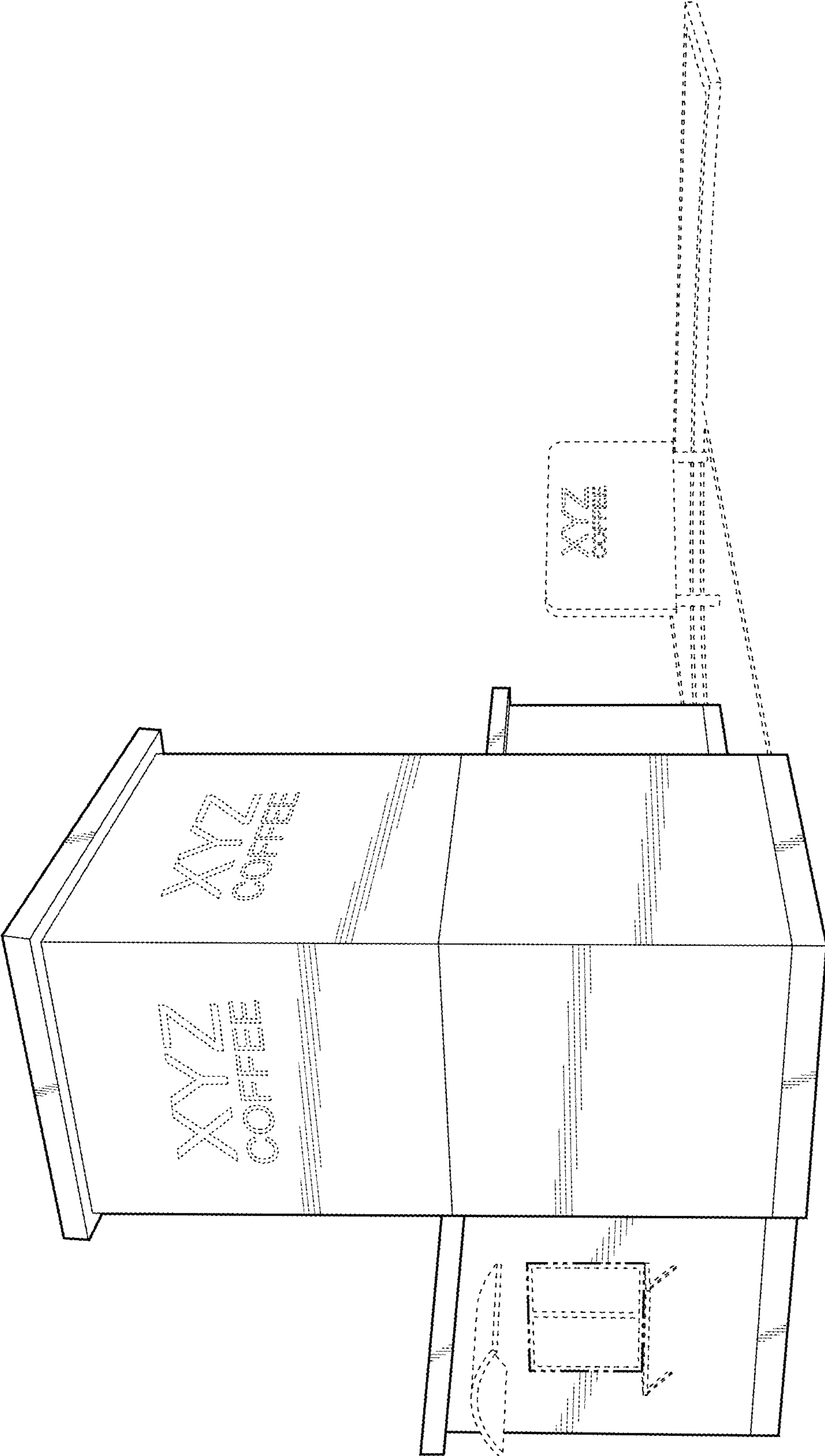


FIG. 2

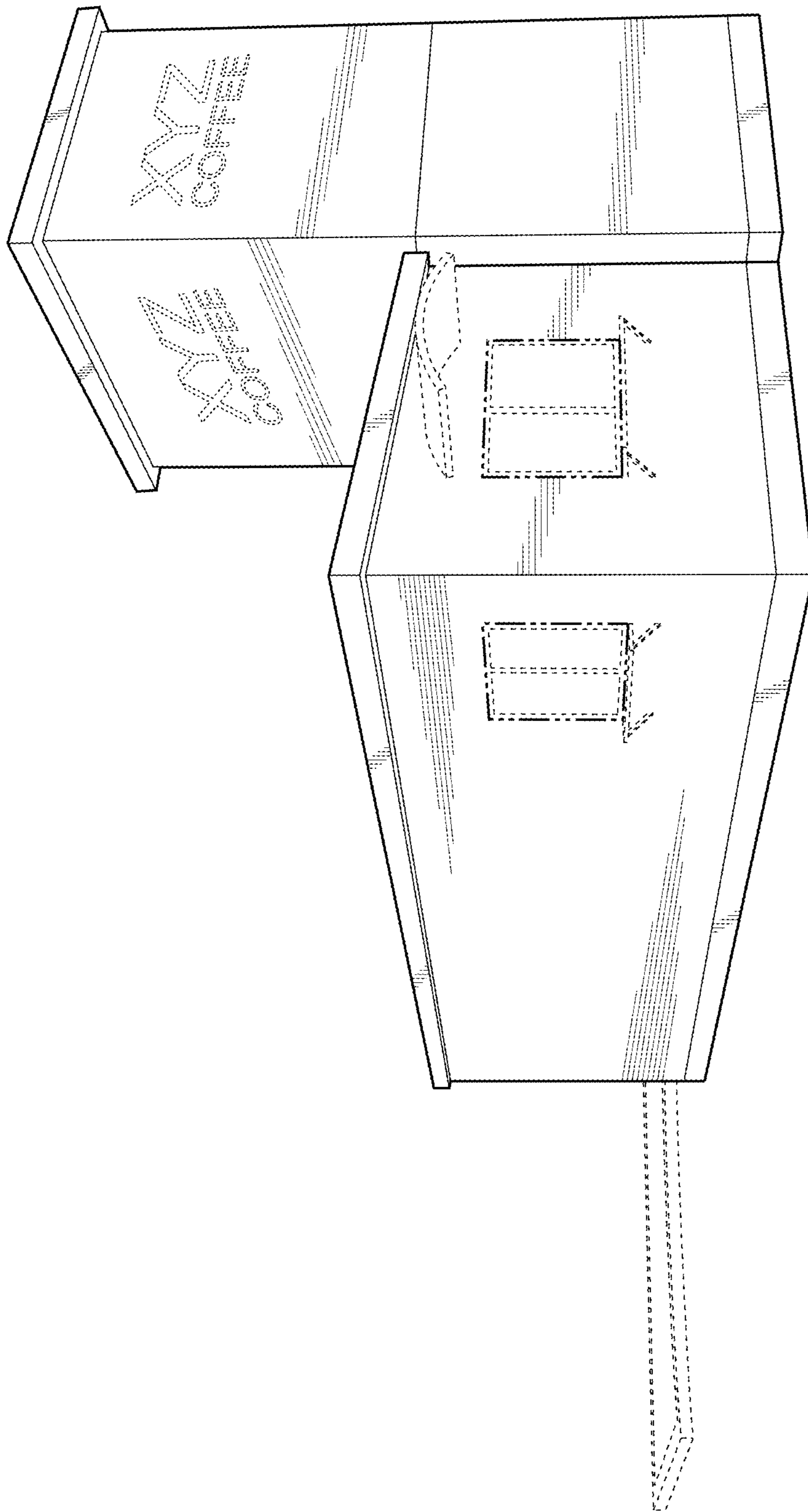


FIG. 3

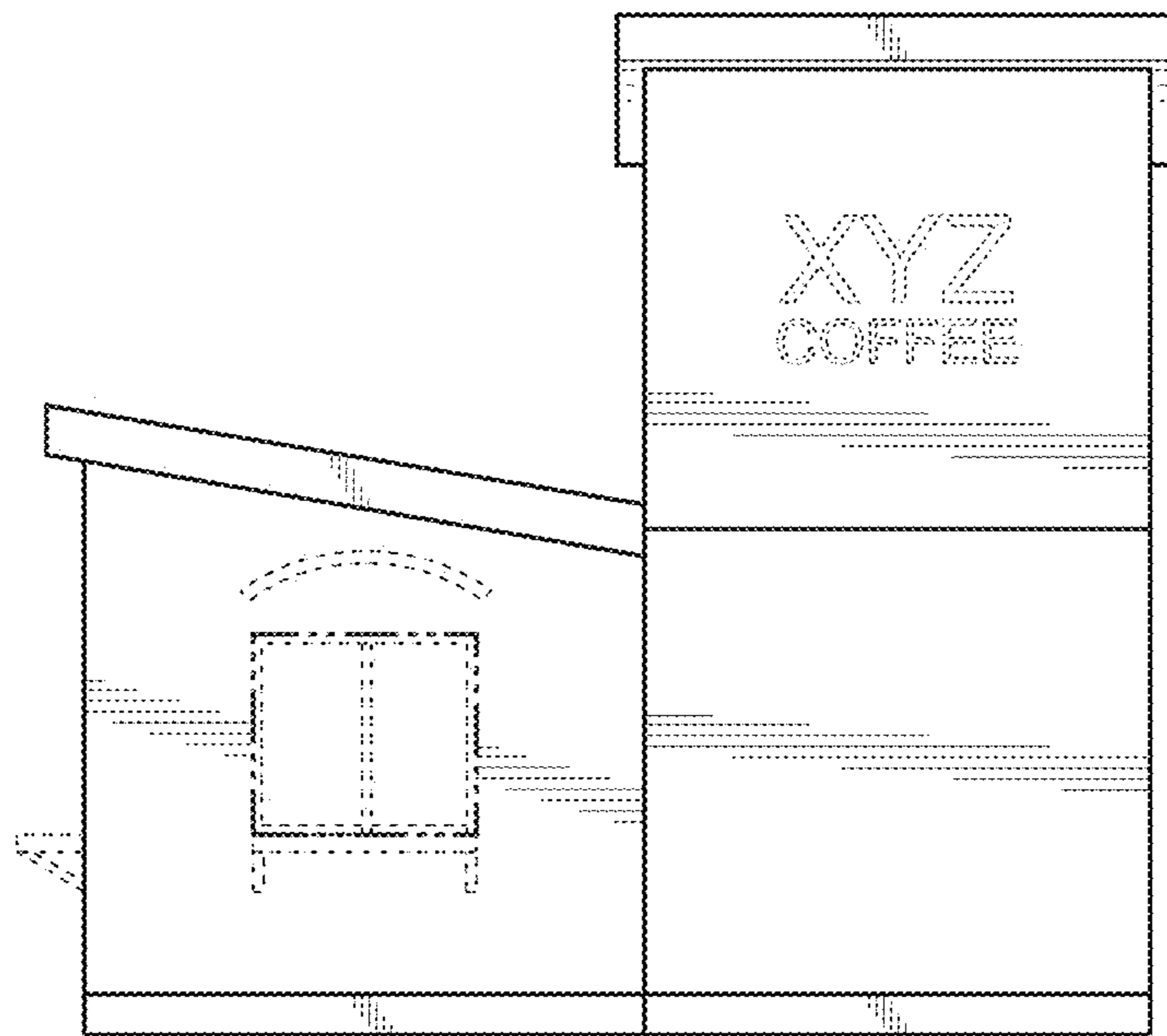


FIG. 4

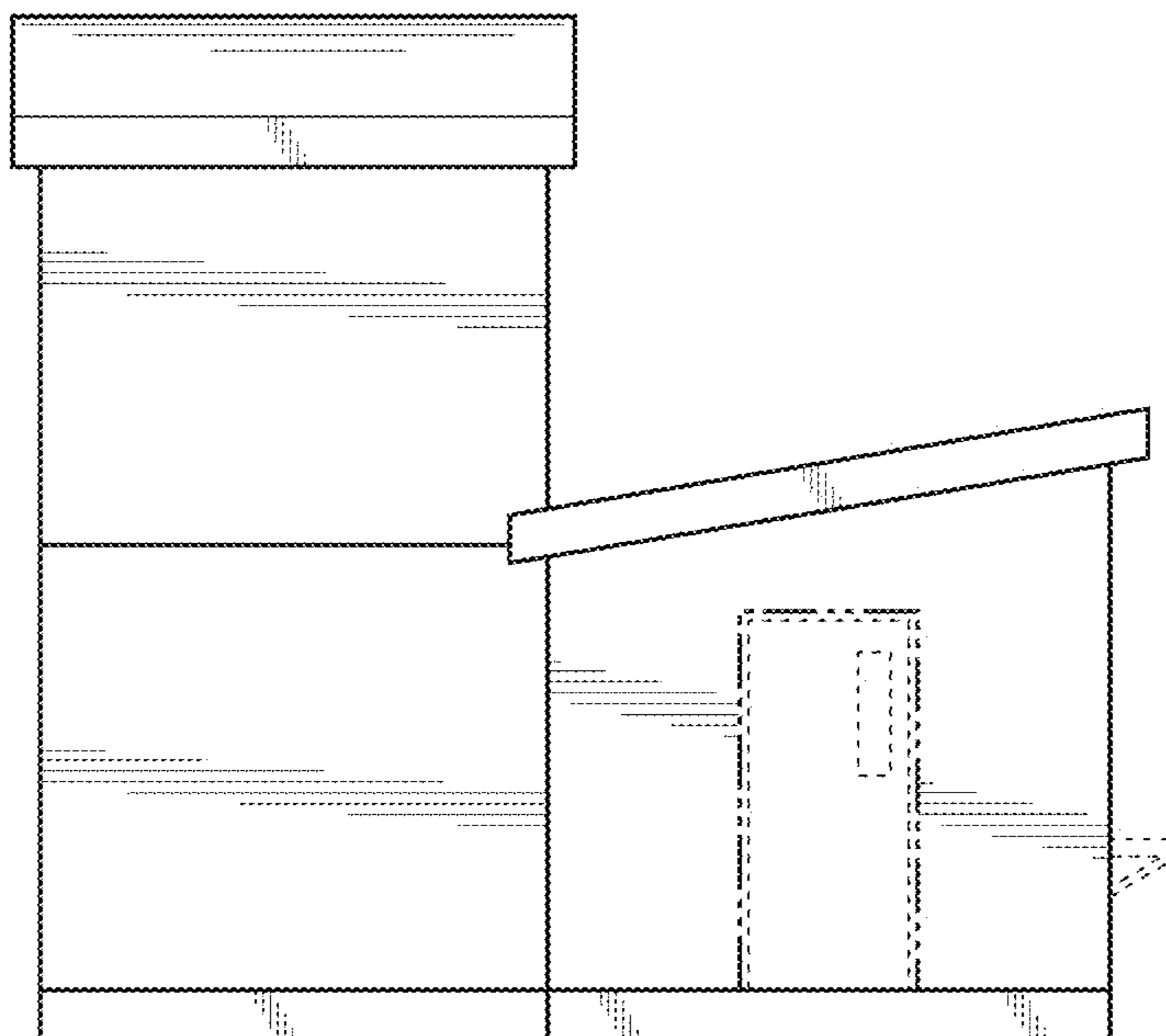


FIG. 5

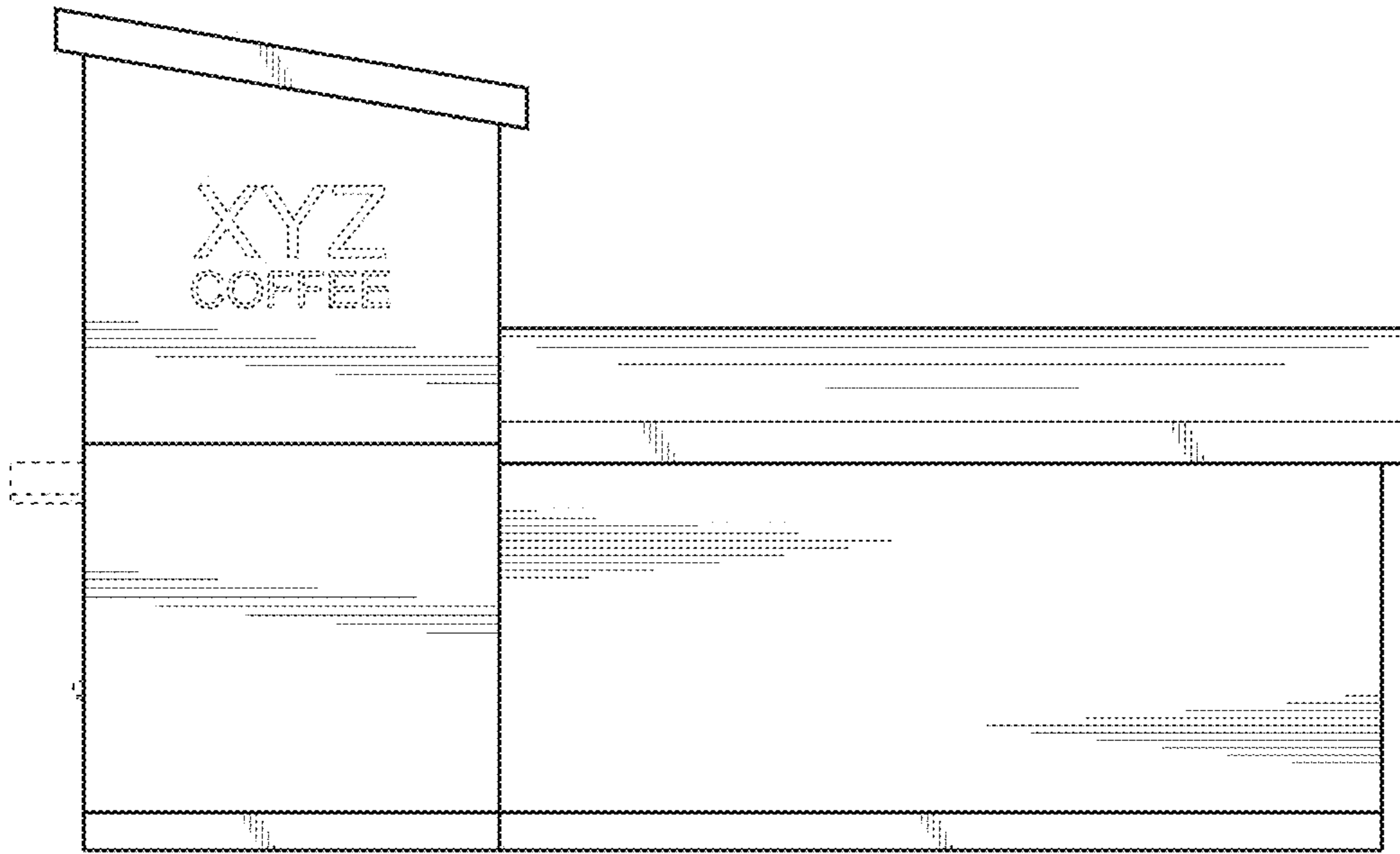


FIG. 6

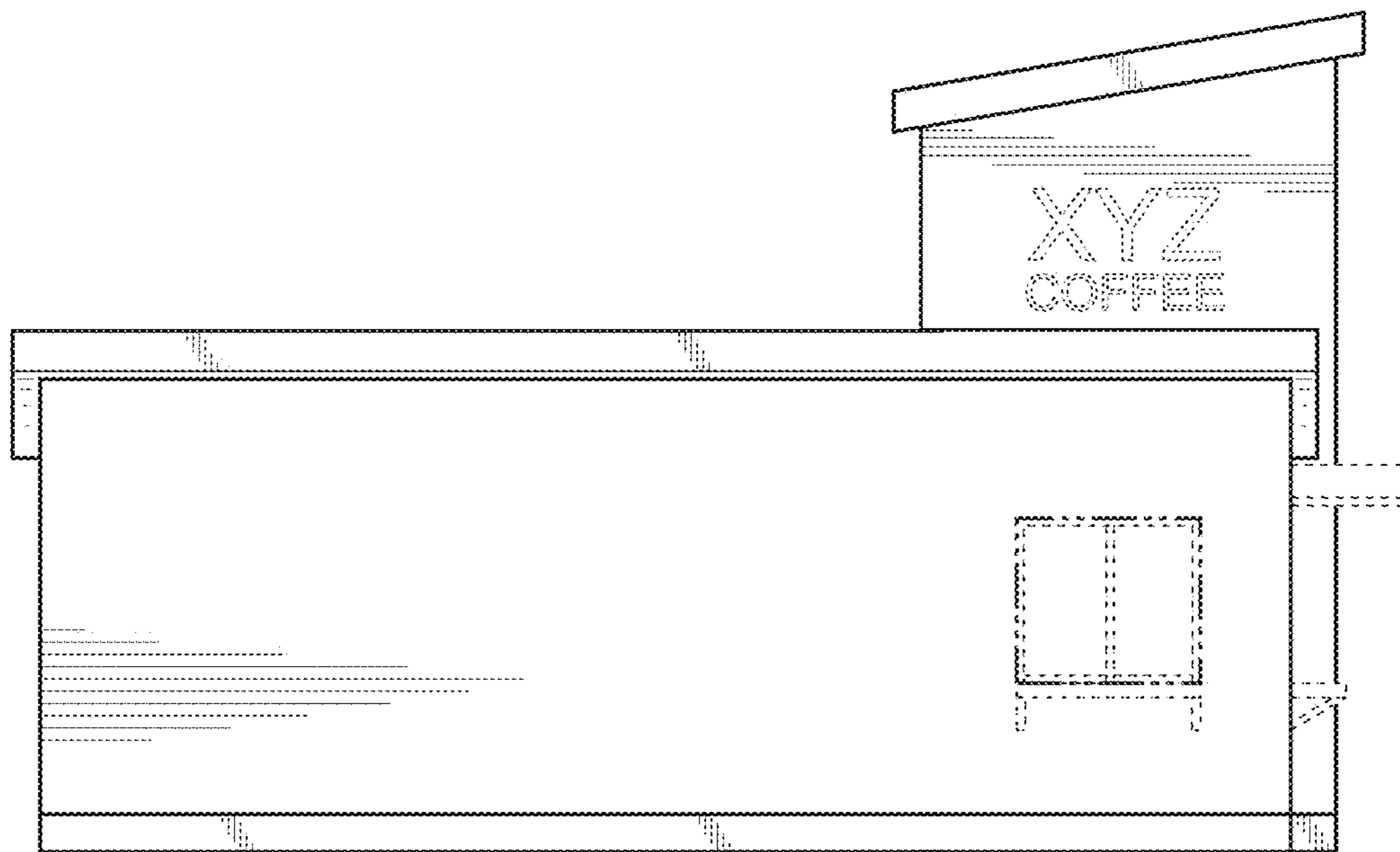


FIG. 7

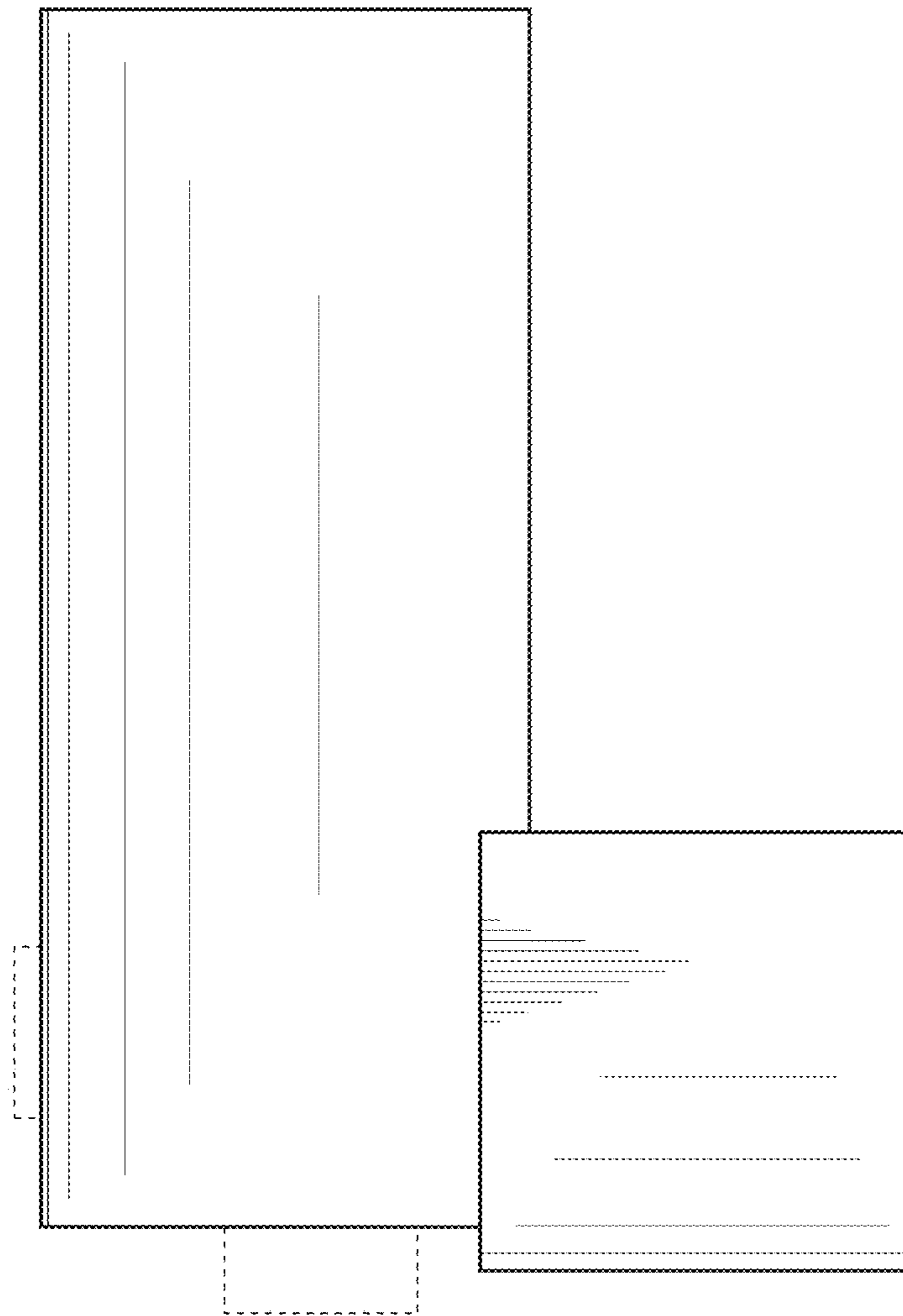


FIG. 8

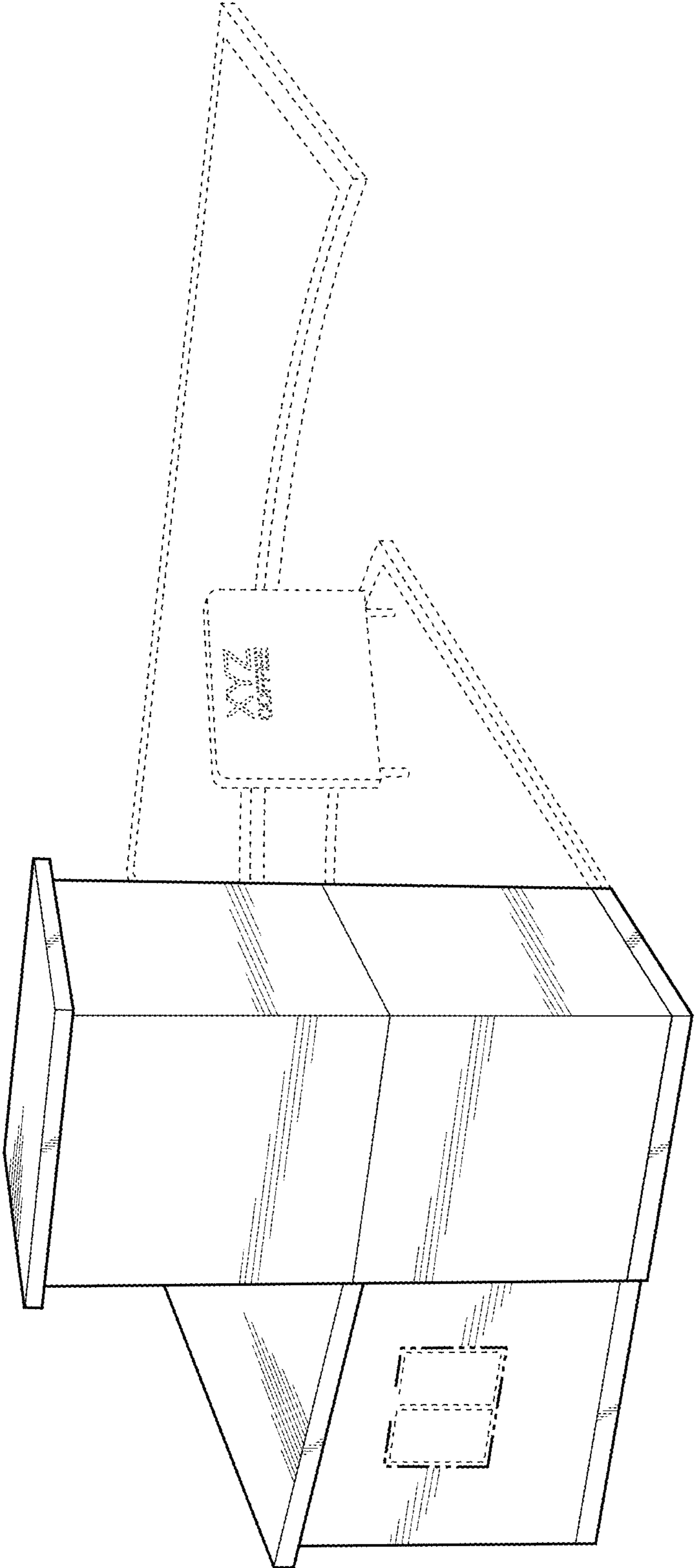


FIG. 9

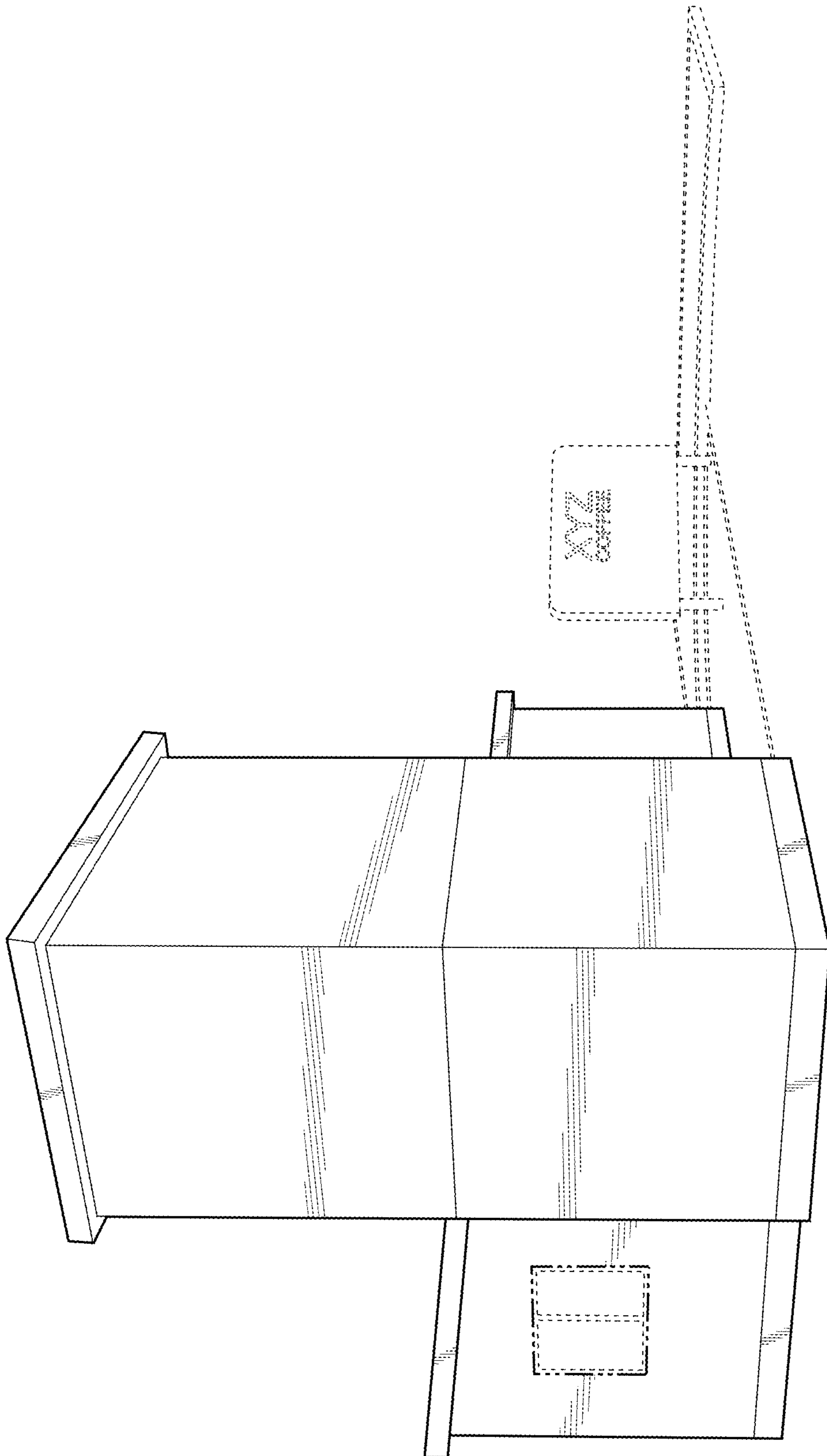


FIG. 10

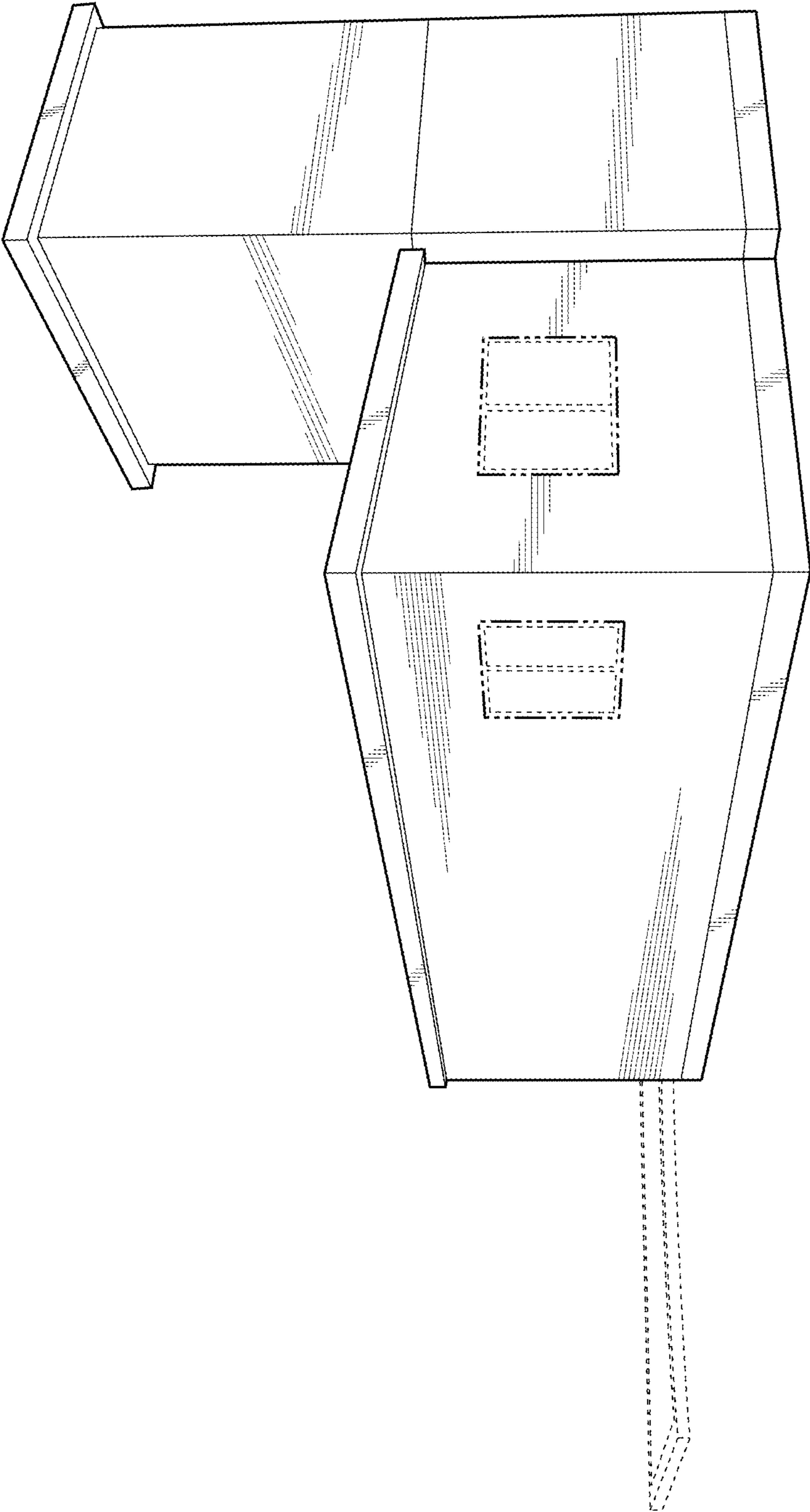


FIG. 11

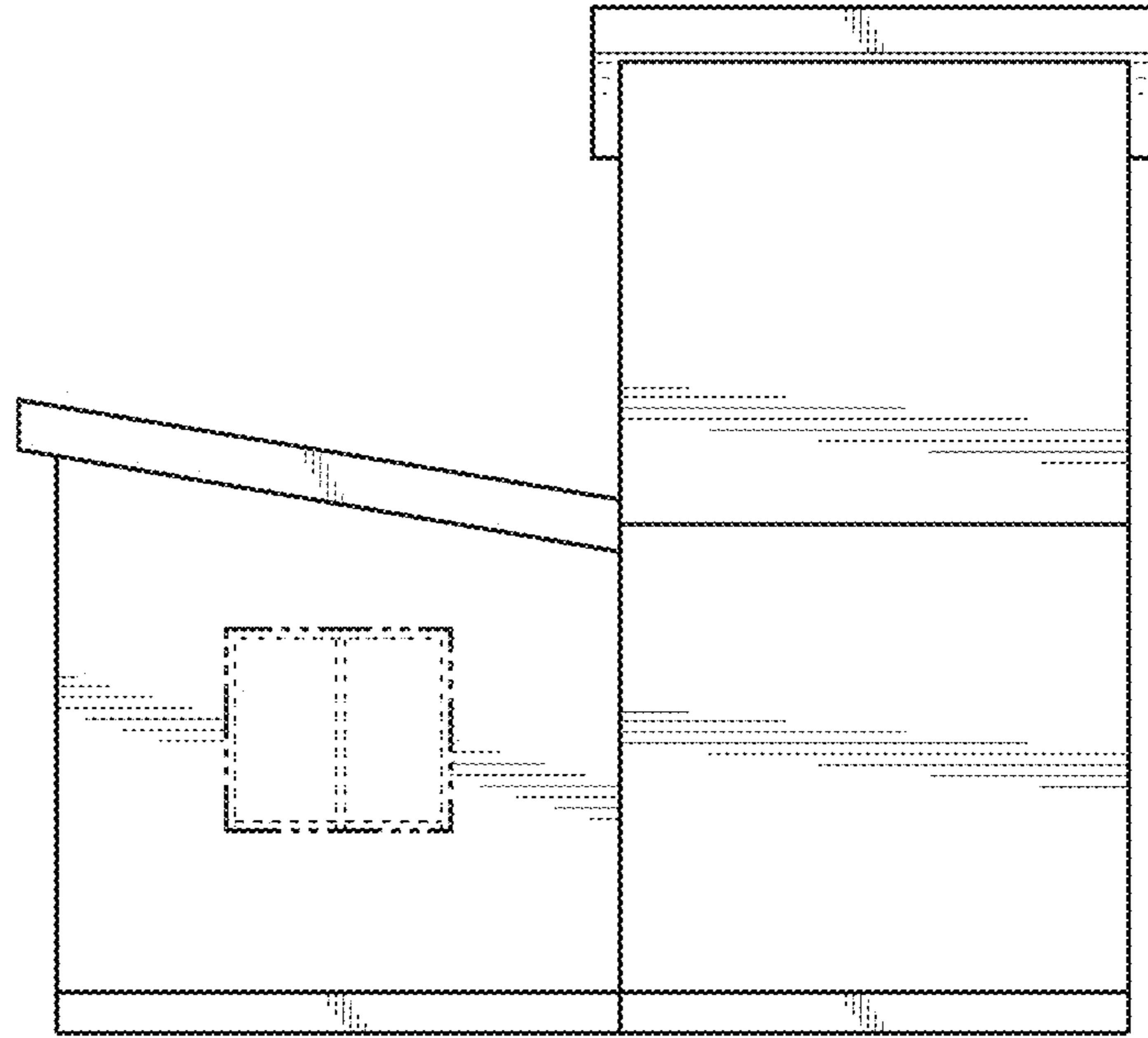


FIG. 12

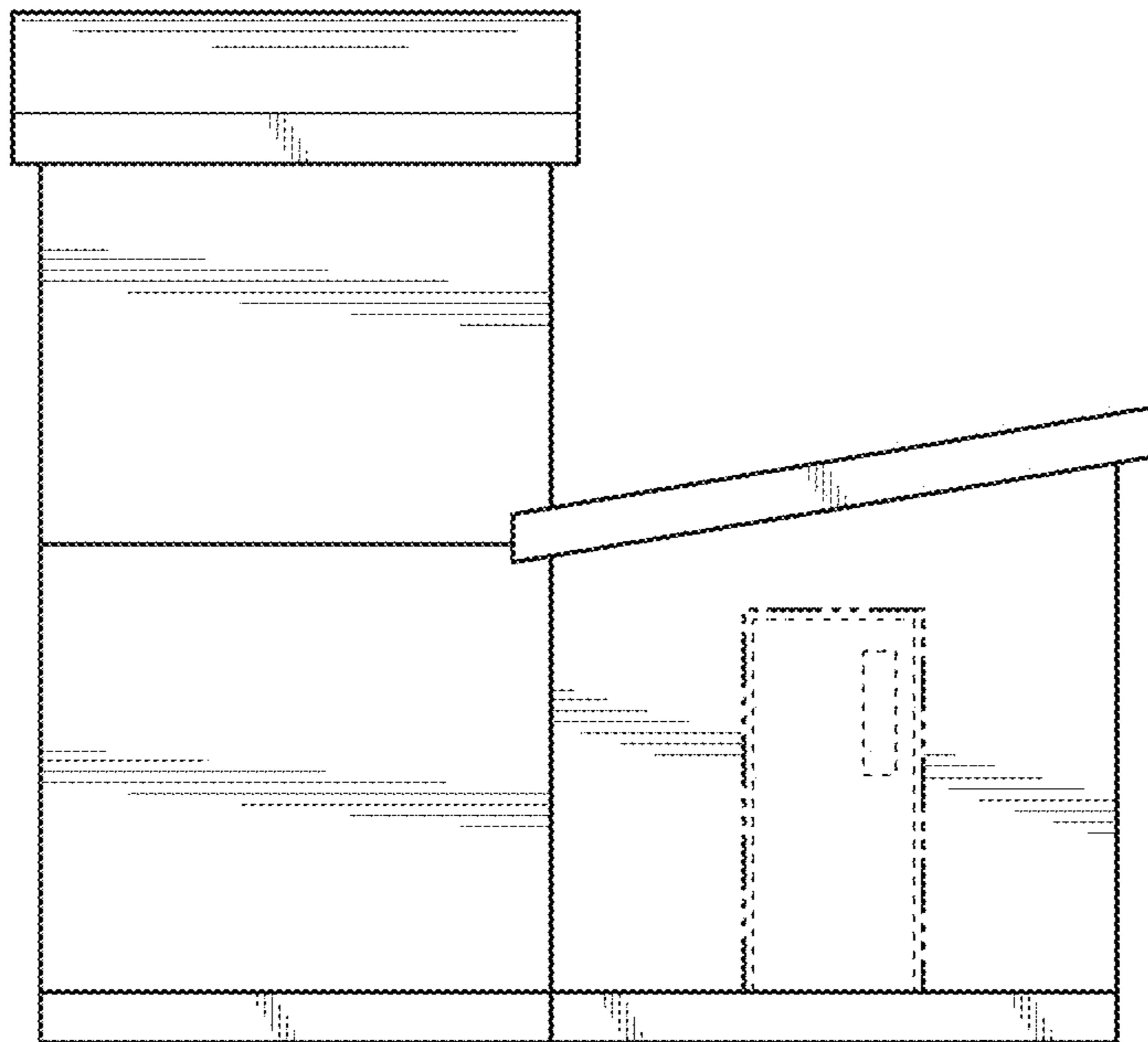


FIG. 13

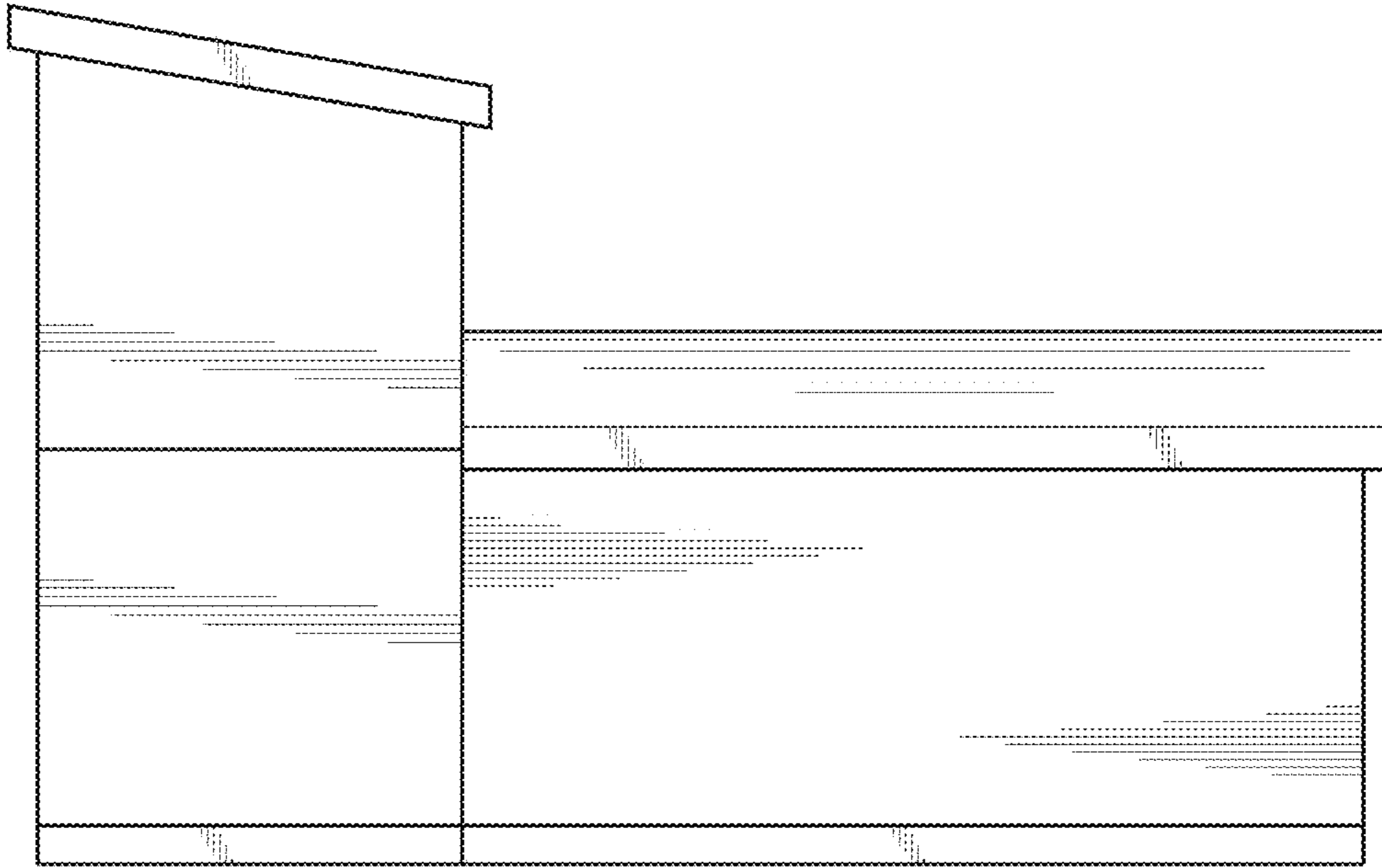


FIG. 14

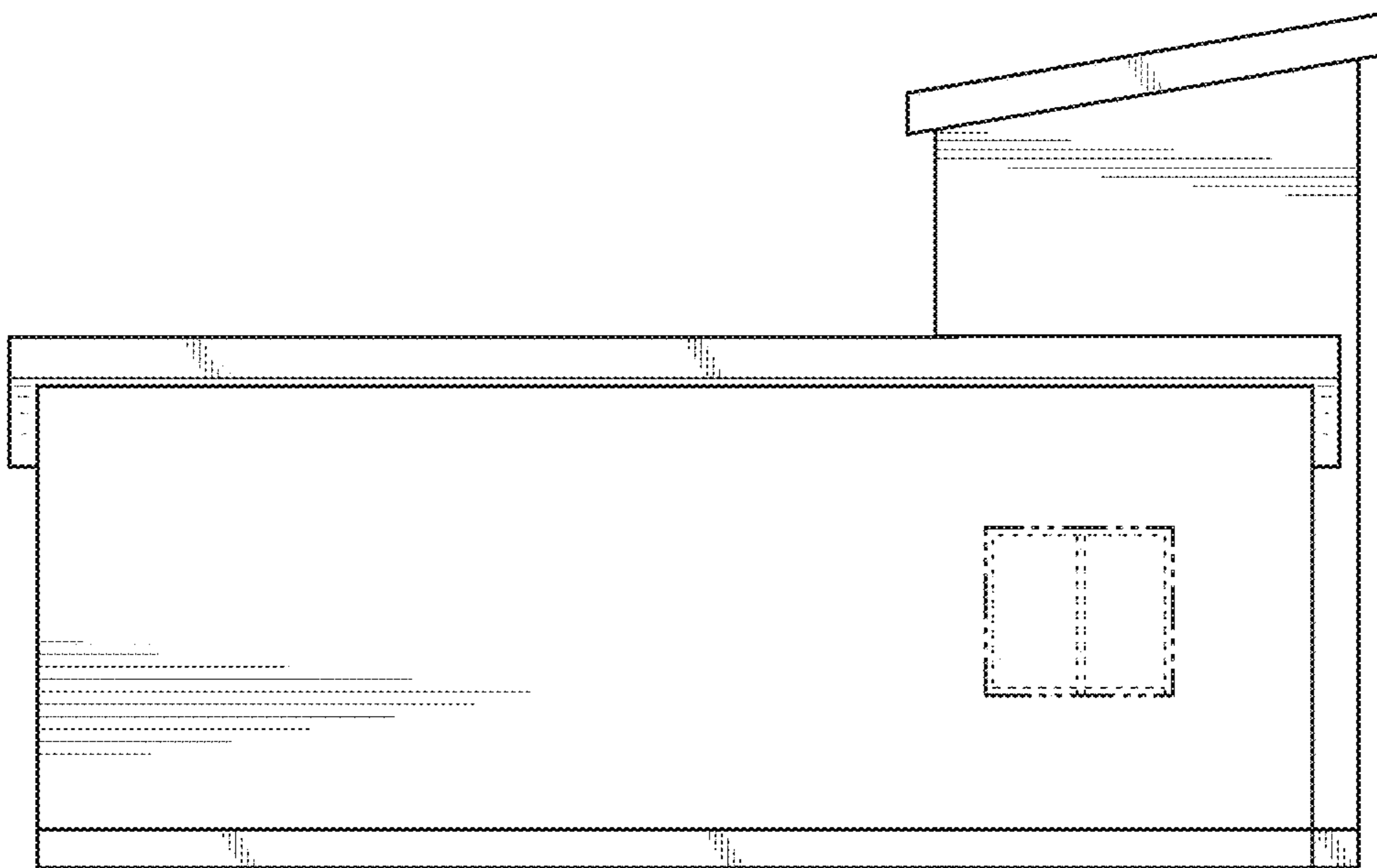


FIG. 15