



US00D911551S

(12) **United States Design Patent** (10) **Patent No.:** **US D911,551 S**  
**Aravena** (45) **Date of Patent:** **\*\* Feb. 23, 2021**

(54) **SURGICAL TRAY FOR DENTAL IMPLANTS**

D814,654 S 4/2018 Daines  
D826,425 S 8/2018 Muller et al.  
D826,426 S 8/2018 Muller et al.

(71) Applicant: **Implant Direct Sybron International LLC**, Thousand Oaks, CA (US)

(Continued)

(72) Inventor: **Ines Aravena**, Santa Rosa Valley, CA (US)

**OTHER PUBLICATIONS**

(73) Assignee: **Implant Direct Sybron International LLC**, Thousand Oaks, CA (US)

Tray and Drills for Tapered Screw-Vent Implants. Online, published date unknown. Retrieved on Jul. 6, 2020 from URL: [https://www.shopzimmerbiometdental.com/webapp/wcs/stores/servlet/ProductDisplay?top\\_category5=&top\\_category4=&top\\_category3=&urlRequestType=Base&productId=3074457345616684891&catalogId=307445734561667](https://www.shopzimmerbiometdental.com/webapp/wcs/stores/servlet/ProductDisplay?top_category5=&top_category4=&top_category3=&urlRequestType=Base&productId=3074457345616684891&catalogId=307445734561667).\*

(\*\*) Term: **15 Years**

(Continued)

(21) Appl. No.: **29/726,063**

(22) Filed: **Feb. 28, 2020**

*Primary Examiner* — Susan Bennett Hattan  
*Assistant Examiner* — Omeed Agilee  
(74) *Attorney, Agent, or Firm* — Wood Herron & Evans LLP

**Related U.S. Application Data**

(62) Division of application No. 29/654,026, filed on Jun. 20, 2018, now Pat. No. Des. 880,723.

(51) **LOC (13) Cl.** ..... **24-02**

(52) **U.S. Cl.**  
USPC ..... **D24/229**

(58) **Field of Classification Search**  
USPC ..... D24/107, 121, 176, 216, 224–232;  
D3/203.1–203.8, 304, 313; D7/550.1,  
D7/552.2

CPC ..... G06F 19/3406  
See application file for complete search history.

(57) **CLAIM**

The ornamental design for a surgical tray for dental implants, as shown and described.

**DESCRIPTION**

FIG. 1 is a front-right-top perspective view of a surgical tray for dental implants showing environment; FIG. 2 is a front-right-top perspective view thereof showing the environment removed; FIG. 3 is a top plan view thereof; FIG. 4 is a front elevation view thereof; FIG. 5 is a right side elevation view thereof; FIG. 6 is a rear elevation view thereof; FIG. 7 is a left side elevation view thereof; and, FIG. 8 is a front-right-top perspective view thereof in a disassembled configuration.

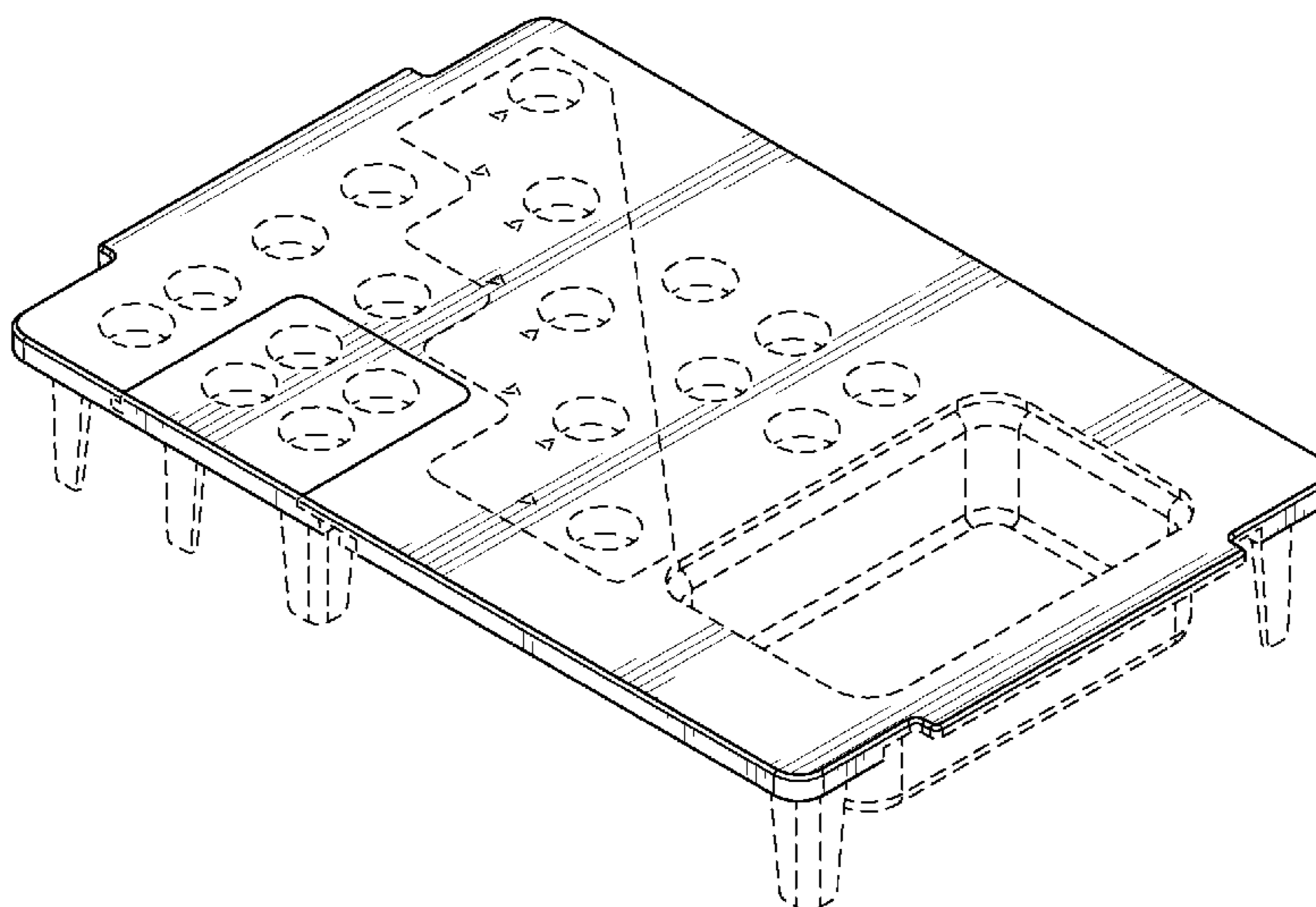
The broken dash lines in the form of a case and dental implants in FIG. 1 depict environmental subject matter and form no part of the claimed design. All other broken dash lines in the figures depict portions of the surgical tray for dental implants that form no part of the claimed design.

**1 Claim, 5 Drawing Sheets**

(56) **References Cited**

**U.S. PATENT DOCUMENTS**

D225,467 S *	12/1972	Burke et al.	.....	D24/230
D283,164 S	3/1986	Pandya		
D302,207 S *	7/1989	Matkovich	.....	D24/226
D392,743 S	3/1998	Stoufer		
D393,543 S *	4/1998	Wilkening	.....	D3/313
D506,833 S	6/2005	Wescott, III		
D634,541 S	3/2011	Gutierrez		
D673,295 S	12/2012	Motadel		
D736,403 S *	8/2015	Hudson	.....	D24/226
D766,455 S *	9/2016	Smollar	.....	D24/229



(56)

**References Cited**

U.S. PATENT DOCUMENTS

D849,962 S 5/2019 Curry et al.  
D867,614 S \* 11/2019 Jones ..... D24/227  
D880,723 S \* 4/2020 Aravena ..... D24/229  
2012/0257953 A1 10/2012 Williams et al.  
2017/0098049 A1 4/2017 Sweeney

OTHER PUBLICATIONS

Locator Overdenture Implant System, Surgical Instrument Kit Schematic. Online, published date 2018. Retrieved on Jul. 6, 2020 from URL: [https://www.zimmerbiometdental.com/en-US/wps/wcm/connect/dental/653edfa0-90ce-4fa3-b05b-667b5b8db1b0/ZB0216\\_REV\\_A\\_OverdenSURE\\_Solutions\\_Brochure\\_final\\_SECURED.pdf?MOD=AJPERES&CACHEI.\\*](https://www.zimmerbiometdental.com/en-US/wps/wcm/connect/dental/653edfa0-90ce-4fa3-b05b-667b5b8db1b0/ZB0216_REV_A_OverdenSURE_Solutions_Brochure_final_SECURED.pdf?MOD=AJPERES&CACHEI.*)

Dental Implant Surgical Kit STERI-OSS Baush & Lomb. Online, published date unknown. Retrieved on Sep. 3, 2019 from URL <https://www.ebay.com/itm/DENTAL-IMPLANT-SURGICAL-KIT-STERI-OSS-Baush-Lomb-/231757647922>.

\* cited by examiner

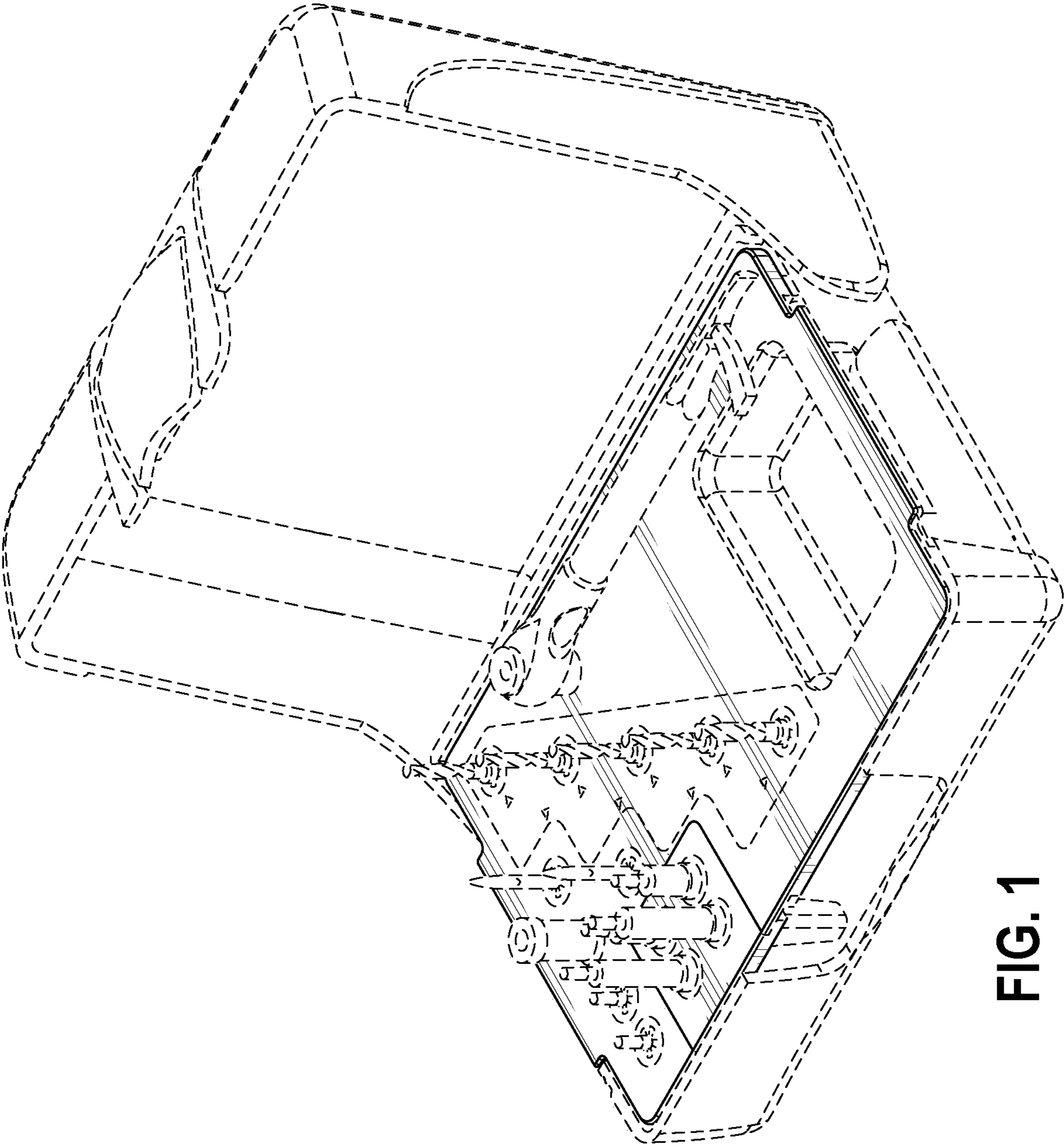


FIG. 1

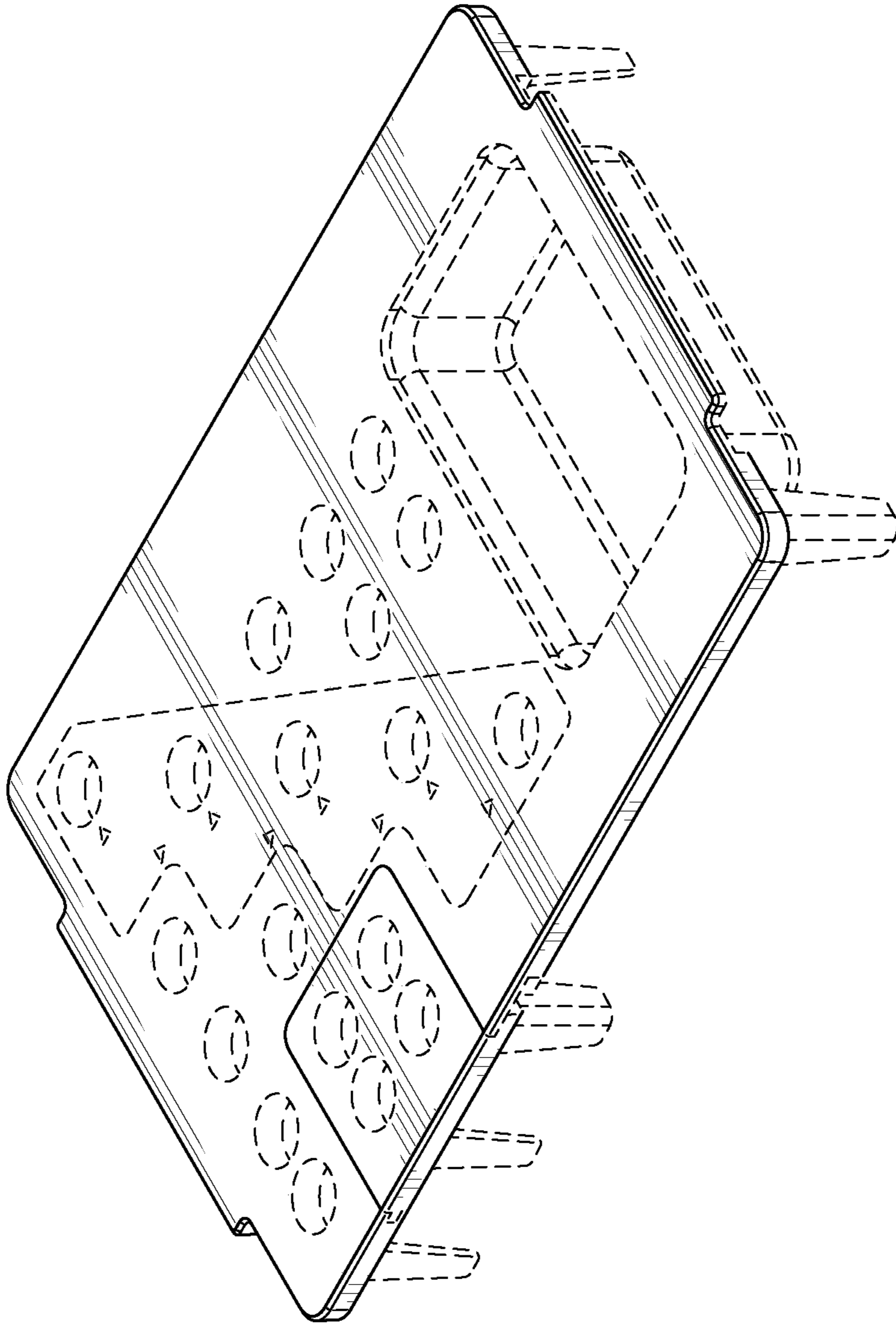


FIG. 2

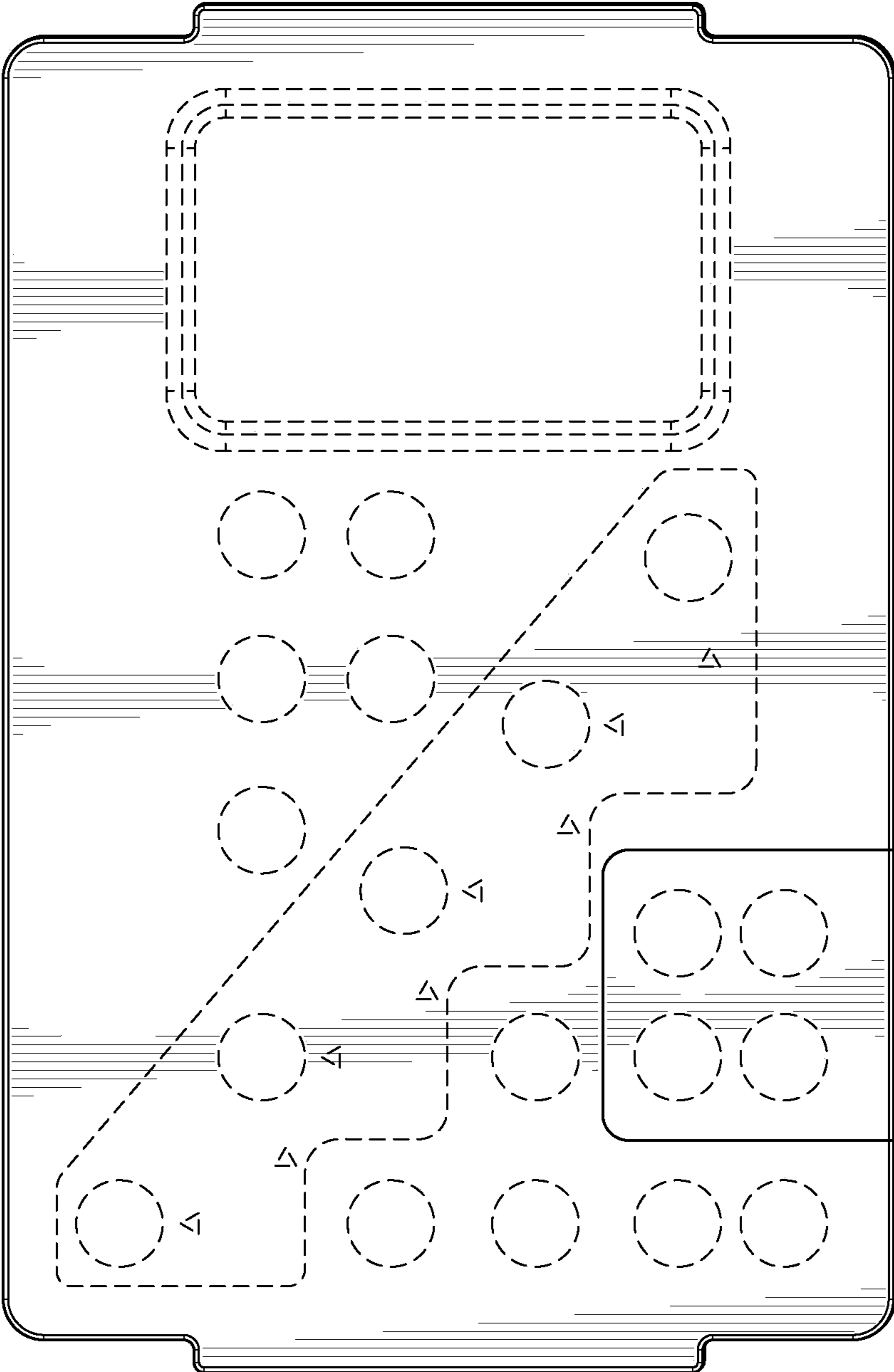
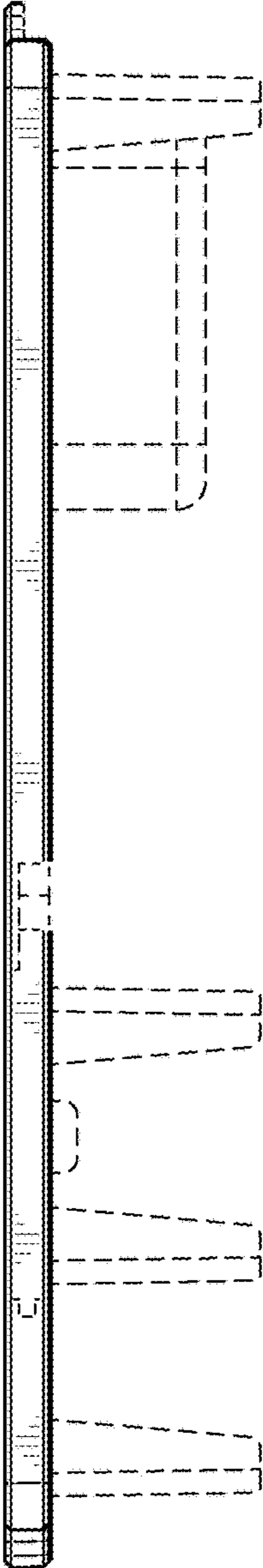
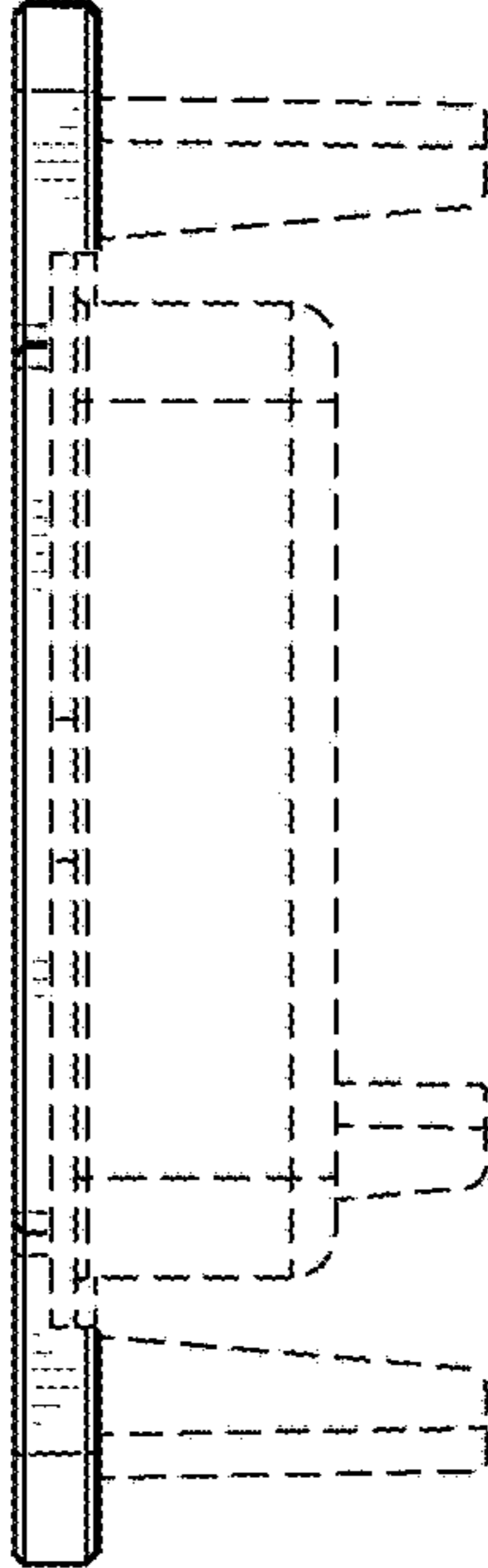


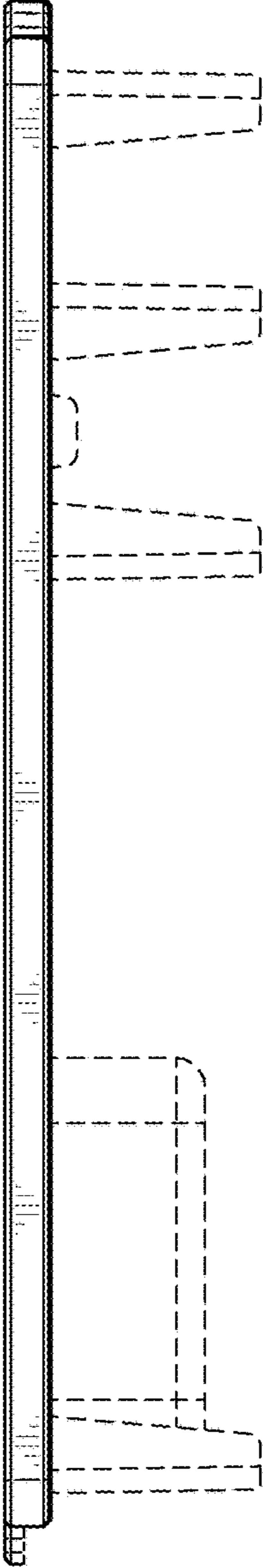
FIG. 3



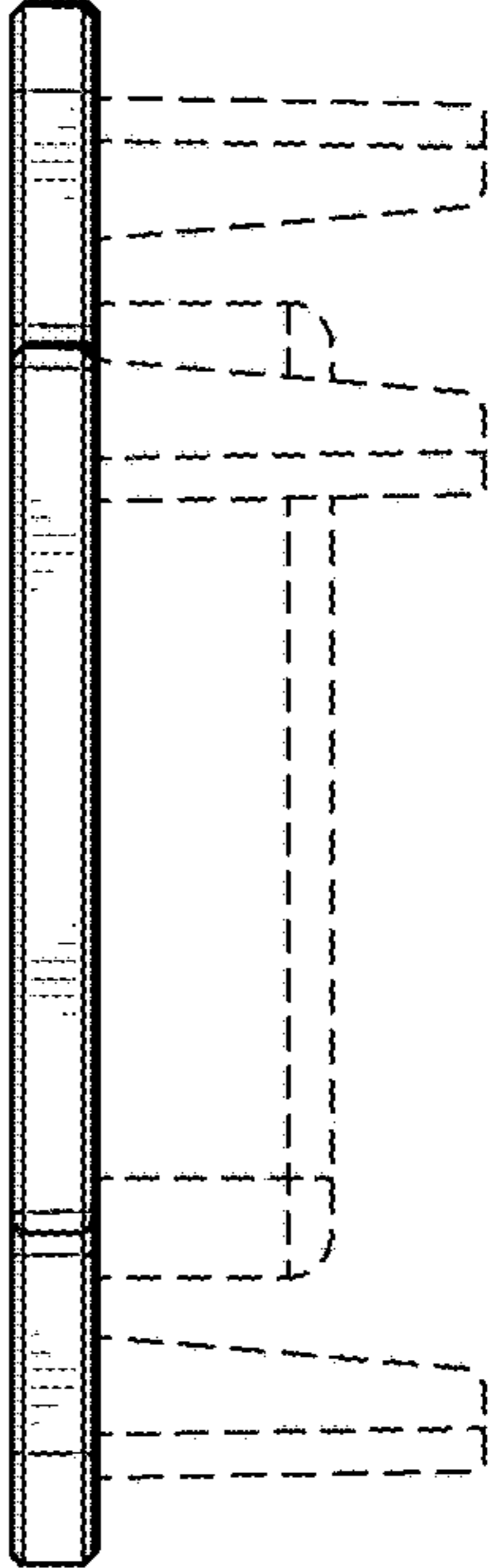
**FIG. 4**



**FIG. 5**



**FIG. 6**



**FIG. 7**

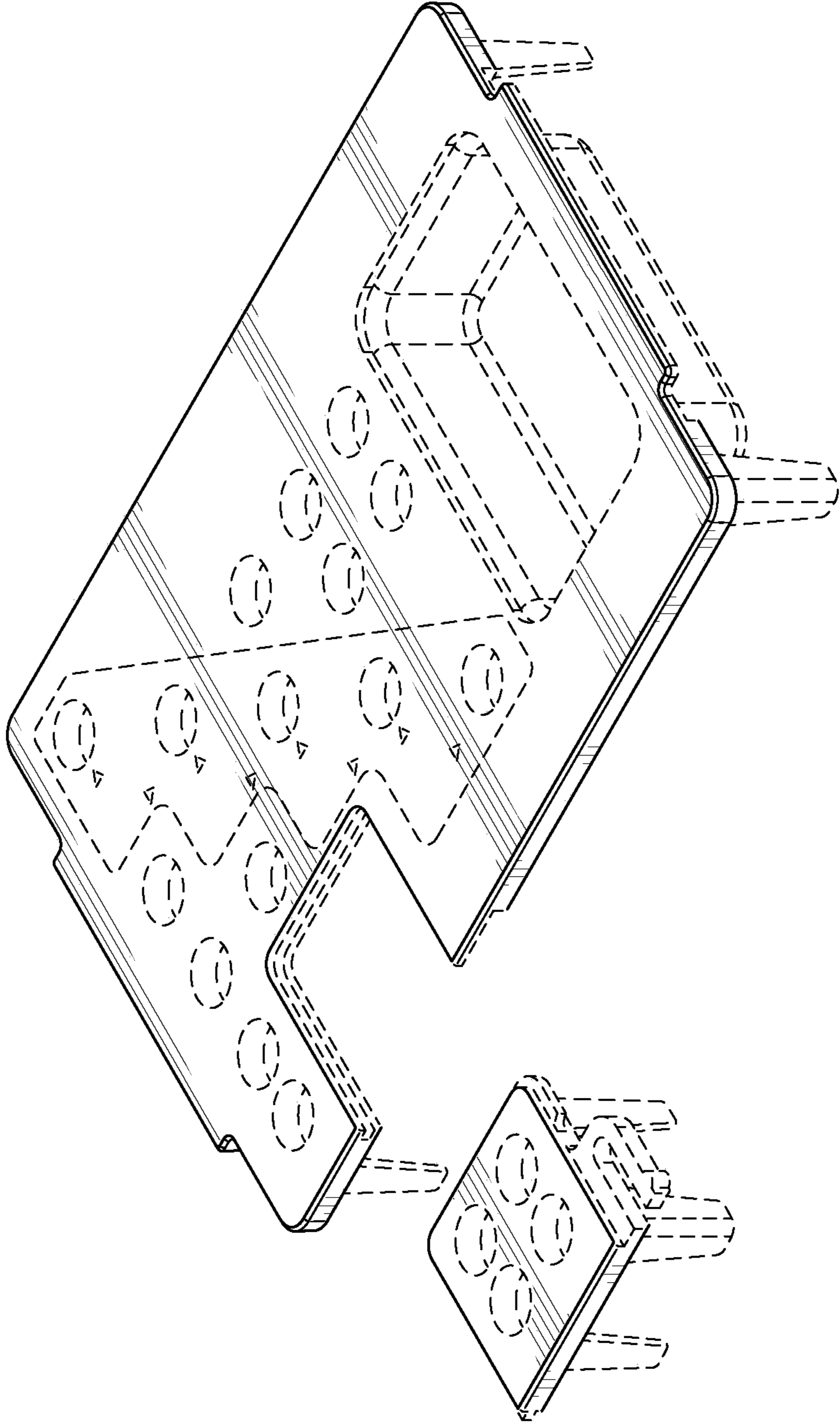


FIG. 8