



US00D911549S

(12) **United States Design Patent**
Kasai

(10) **Patent No.:** **US D911,549 S**

(45) **Date of Patent:** **** Feb. 23, 2021**

(54) **SAMPLE CONTAINER FOR PLASMA SPECTROSCOPIC ANALYZER**

(71) Applicant: **ARKRAY, Inc.**, Kyoto (JP)

(72) Inventor: **Tokuo Kasai**, Kyoto (JP)

(73) Assignee: **ARKRAY, Inc.**, Kyoto (JP)

(**) Term: **15 Years**

(21) Appl. No.: **29/653,243**

(22) Filed: **Jun. 13, 2018**

(30) **Foreign Application Priority Data**

Dec. 14, 2017 (JP) 2017-027984

(51) **LOC (13) Cl.** **24-02**

(52) **U.S. Cl.**
USPC **D24/224**

(58) **Field of Classification Search**
USPC D24/216–217, 219, 223–226, 227,
D24/229–231, 232, 107, 121–123,
D24/121–123; D3/294, 295
CPC B01L 3/545
See application file for complete search history.

(56) **References Cited**

U.S. PATENT DOCUMENTS

- 3,785,773 A * 1/1974 Rohrbaugh B01L 3/5085
422/550
- 4,675,299 A * 6/1987 Witty B01L 3/502
206/569
- D637,737 S * 5/2011 Wilson D24/230
- D665,095 S * 8/2012 Wilson D24/227
- D669,597 S * 10/2012 Cavada D24/216
- D672,881 S * 12/2012 Kraihanzel D24/224
- D672,882 S * 12/2012 Wiltsie D24/224
- D742,027 S * 10/2015 Lentz D24/224

- 2002/0155616 A1* 10/2002 Hiramatsu B01L 3/545
436/165
- 2009/0129978 A1* 5/2009 Wilson C12Q 1/6813
422/400
- 2014/0206088 A1* 7/2014 Lentz B01L 3/527
436/54

FOREIGN PATENT DOCUMENTS

JP D2014-15214 * 7/2014

OTHER PUBLICATIONS

ADAMSTM A1C HA-8180V Analyzer, U.S. Arkray. Online, published date unknown. Retrieved on Sep. 26, 2019 from URL: <https://us.vwr.com/store/product/25718451/adamstm-a1c-ha-8180v-analyzer-u-s-arkray>.*

* cited by examiner

Primary Examiner — Janice Hallmark

Assistant Examiner — Omeed Agilee

(74) *Attorney, Agent, or Firm* — Studebaker & Brackett PC

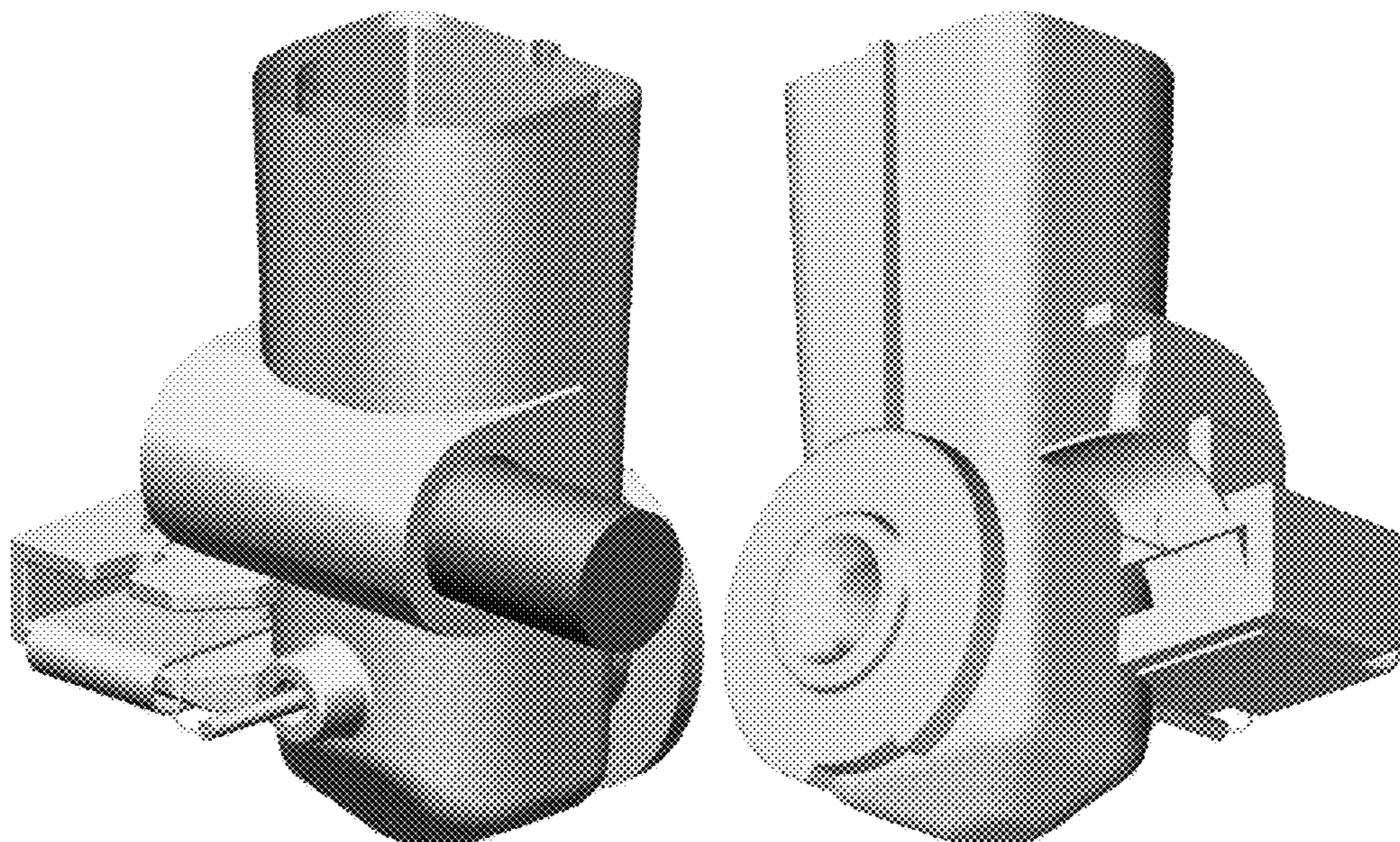
(57) **CLAIM**

The ornamental design for a sample container for plasma spectroscopic analyzer, as shown and described.

DESCRIPTION

FIG. 1 is a rear view of a sample container for plasma spectroscopic analyzer showing my new design; FIG. 2 is a front view thereof; FIG. 3 is a left side view thereof; FIG. 4 is a right side view thereof; FIG. 5 is a front top perspective view thereof; and, FIG. 6 is a rear bottom perspective view thereof.

1 Claim, 6 Drawing Sheets



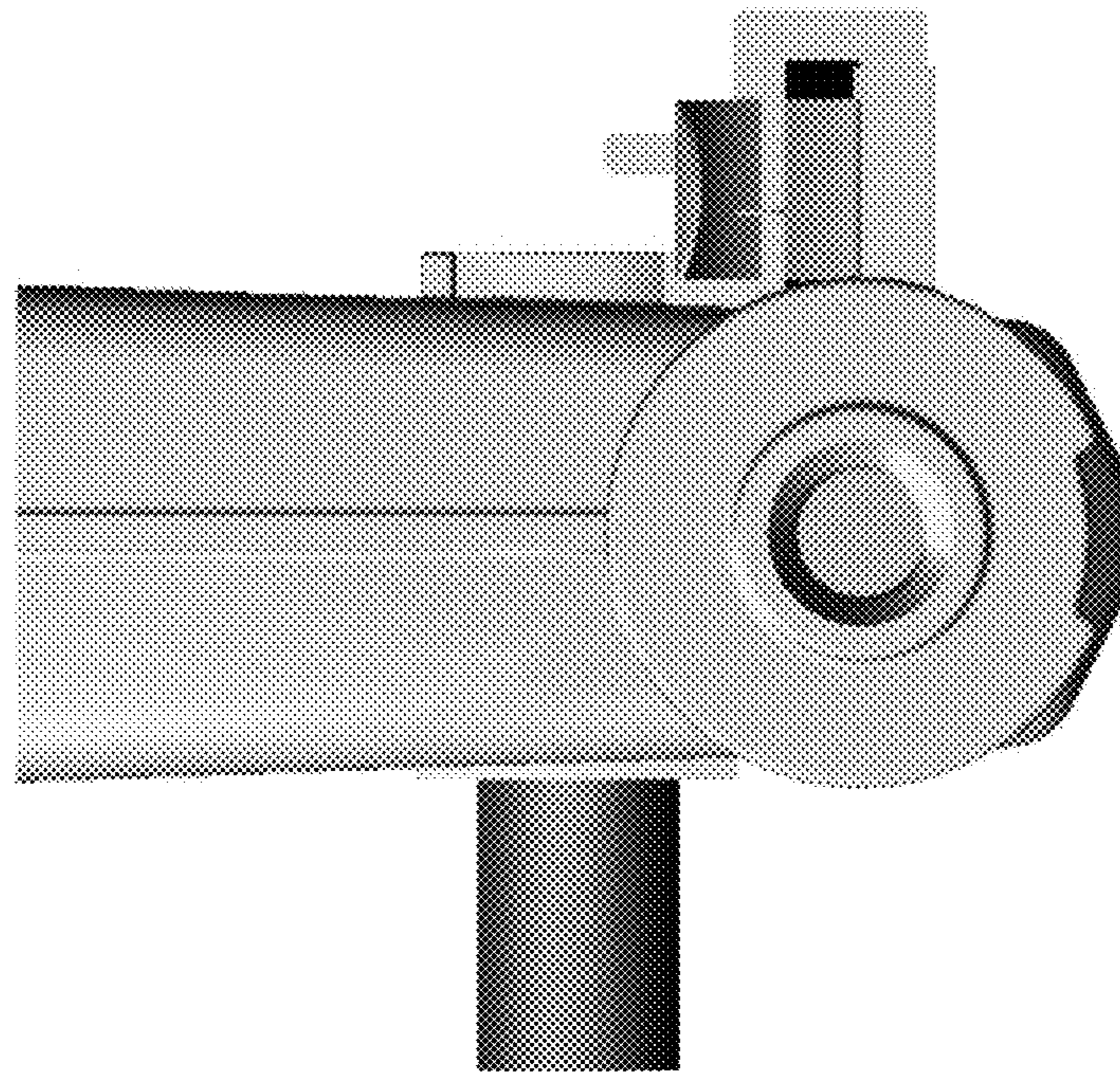


FIG. 1

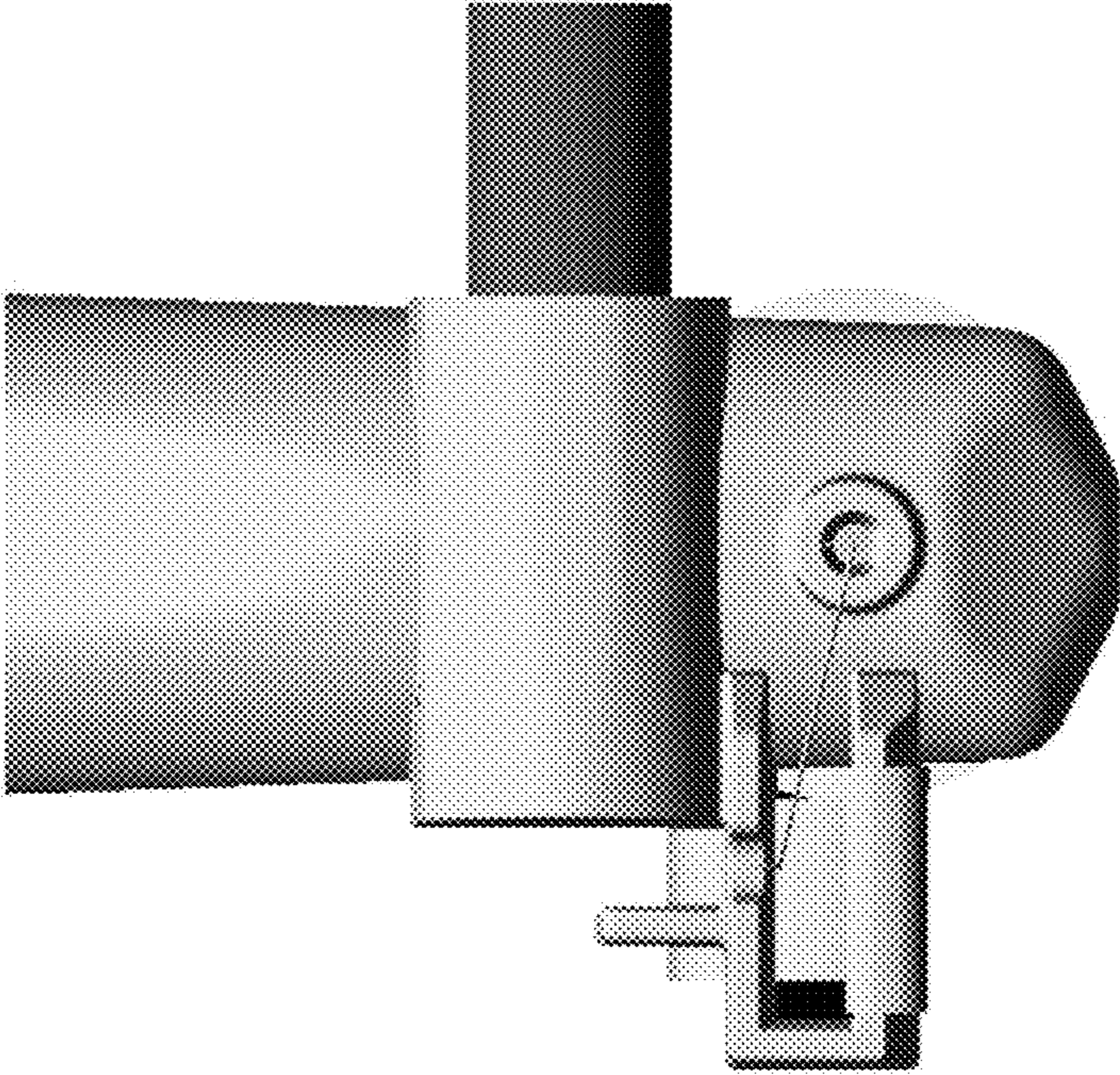


FIG. 2

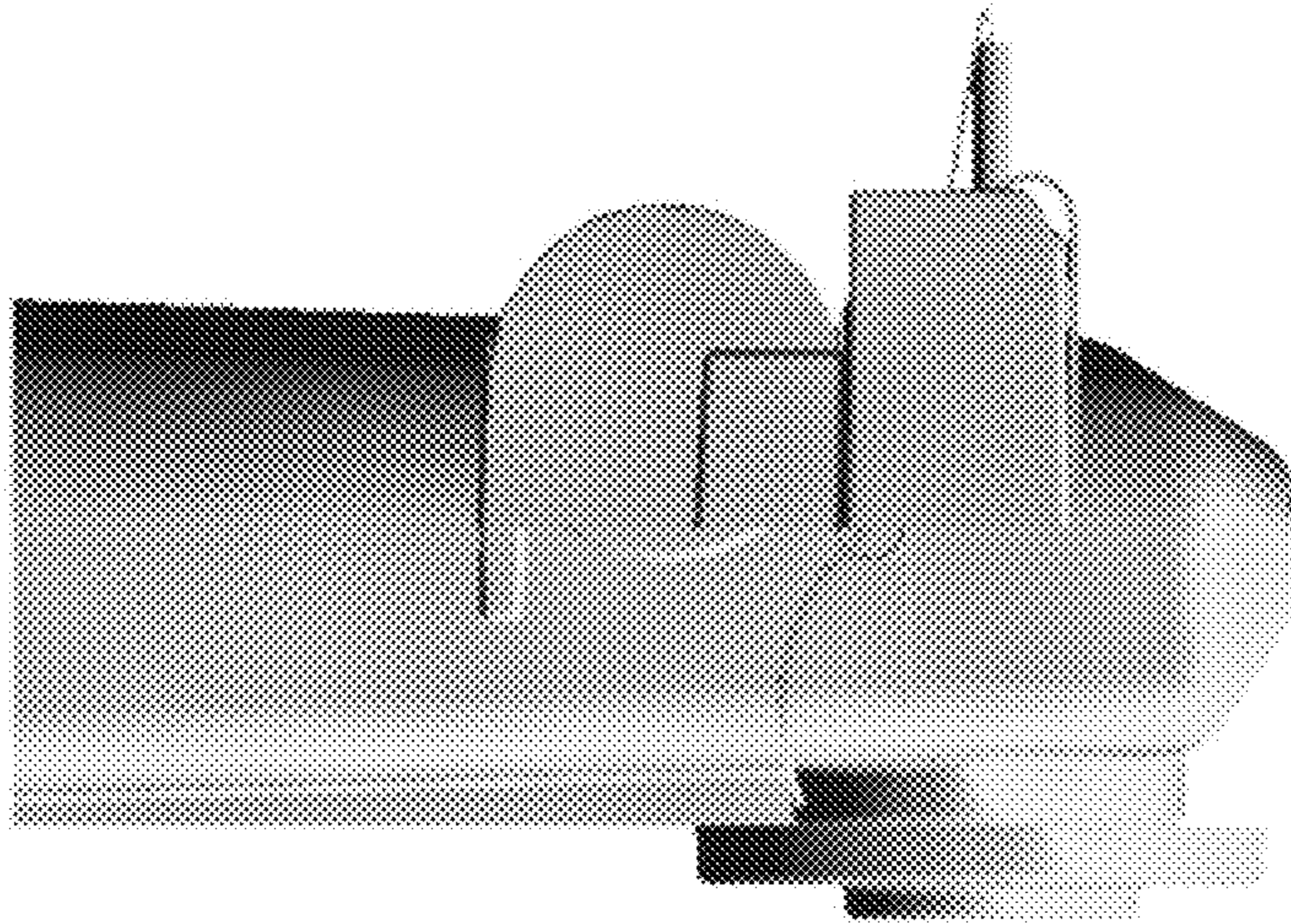


FIG. 3

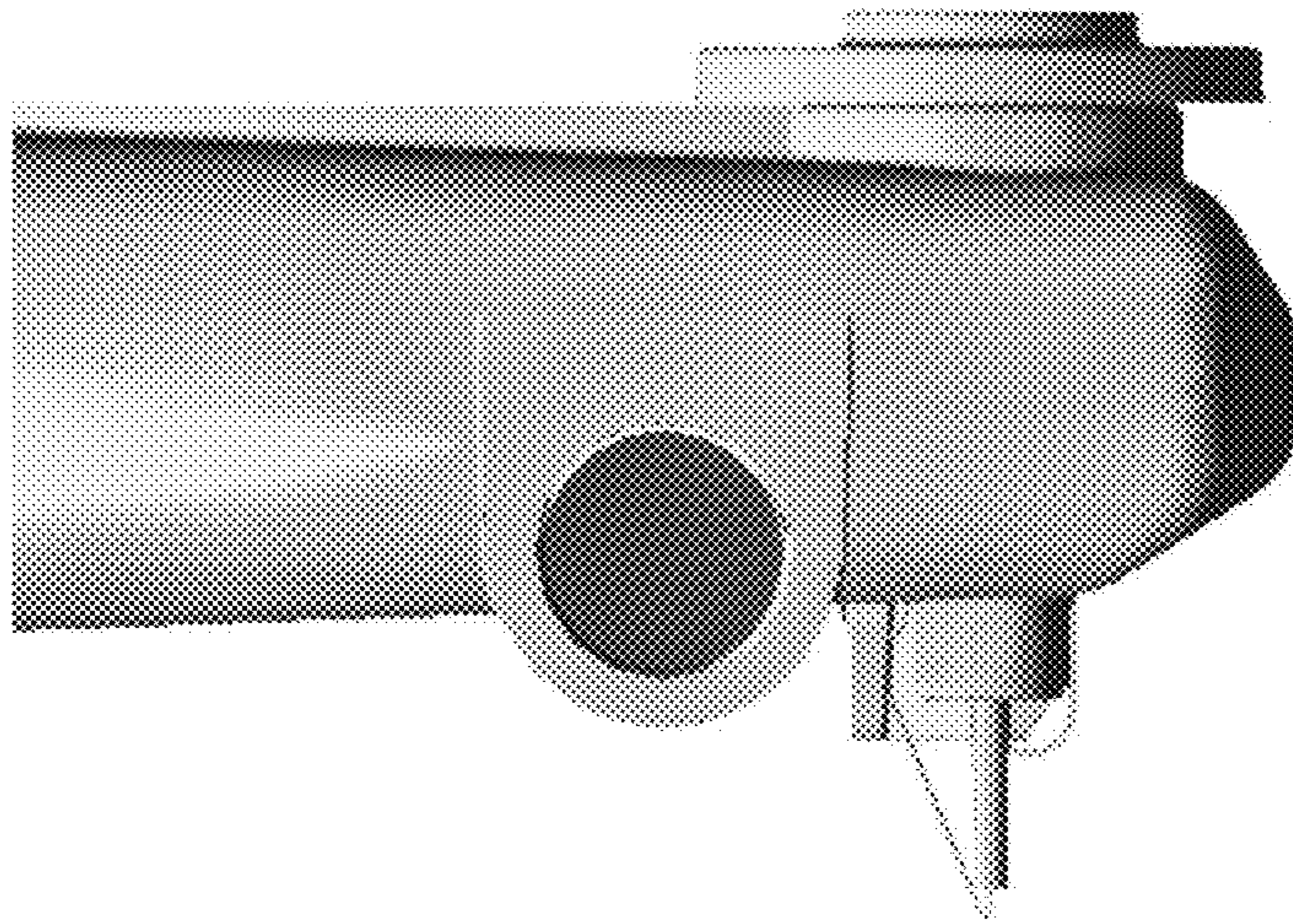


FIG. 4

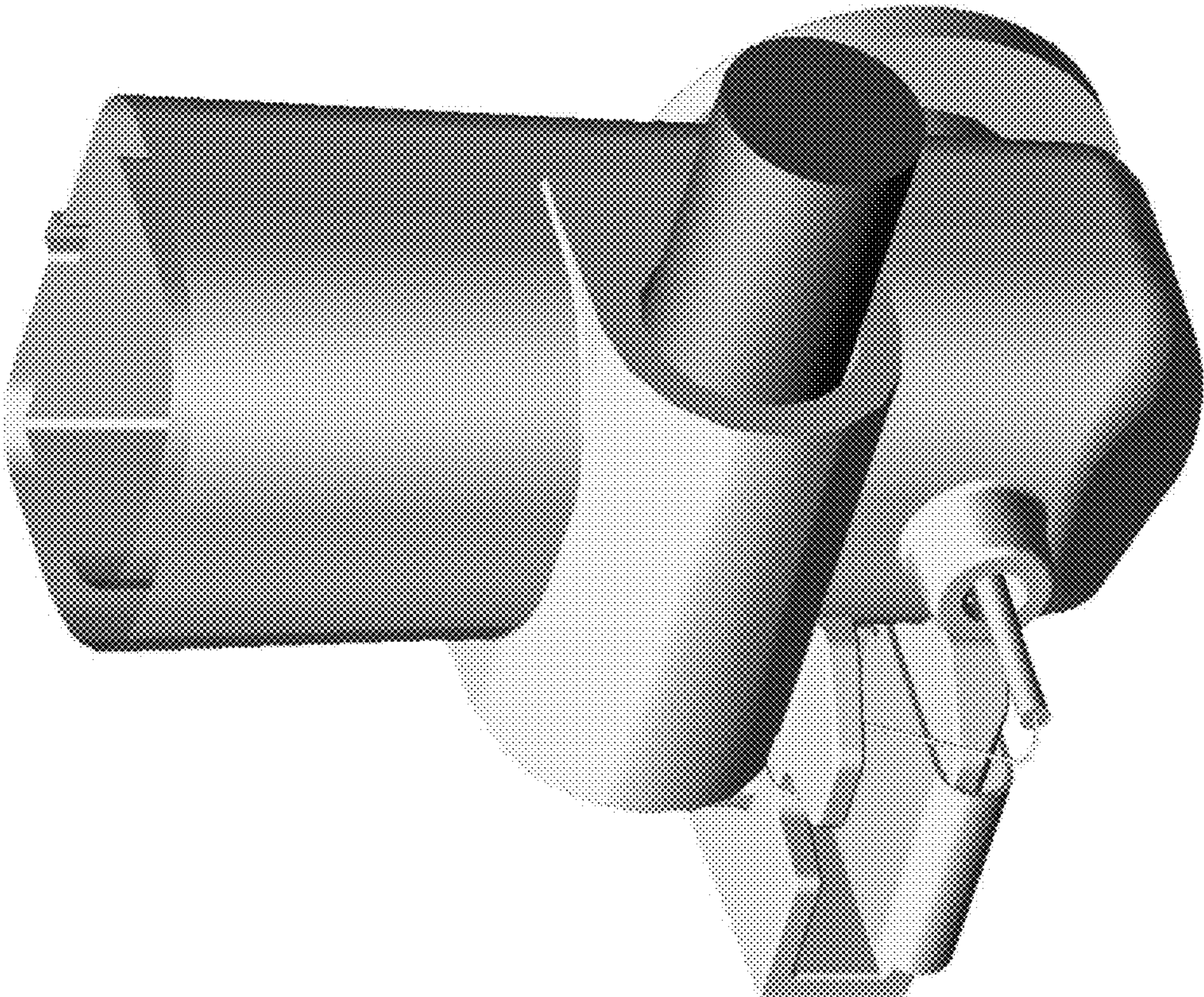


FIG. 5

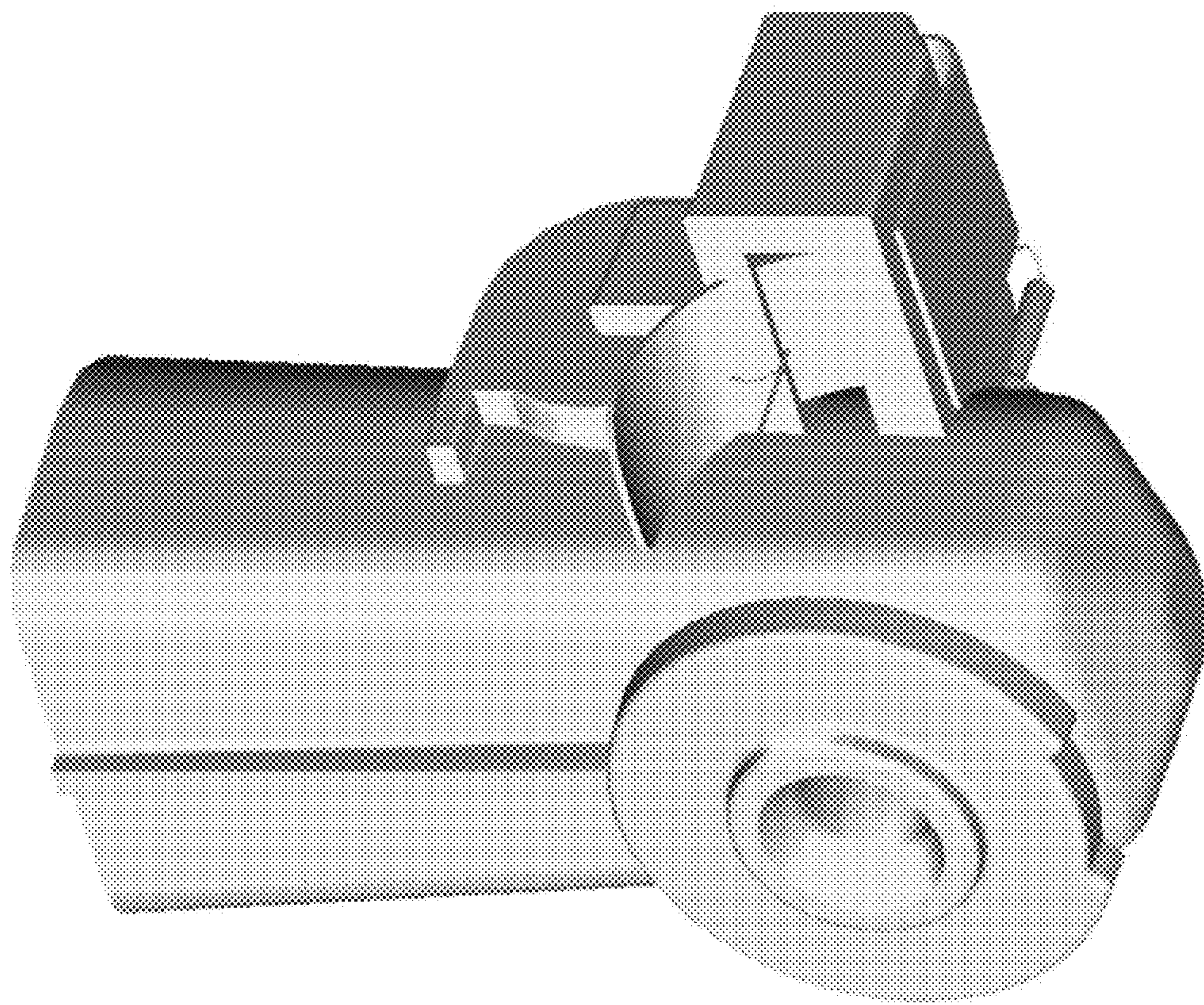


FIG. 6