



US00D911547S

(12) **United States Design Patent** (10) **Patent No.:** **US D911,547 S**
Baron et al. (45) **Date of Patent:** **** Feb. 23, 2021**

(54) **MIXING CONTAINER**

(71) Applicant: **Vivex Biologics Group, Inc.**, Atlanta, GA (US)
 (72) Inventors: **Vanessa Baron**, Southwest Ranches, FL (US); **Shabnam Namin**, Miami, FL (US)
 (73) Assignee: **Vivex Biologics Group, Inc.**, Atlanta, GA (US)

(**) Term: **15 Years**

(21) Appl. No.: **29/701,095**

(22) Filed: **Aug. 8, 2019**

(51) **LOC (13) Cl.** **24-00**

(52) **U.S. Cl.**
USPC **D24/220**

(58) **Field of Classification Search**

USPC D3/201, 203.1, 203.2, 203.3; D7/300.1, D7/372, 376, 377, 378, 414, 591, 667, D7/679, 688; D24/100, 101, 102, 103, D24/104, 141, 163, 220, 221, 231, 232; D27/100, 101, 163, 164, 165, 166, 167, D27/168, 169, 194
 CPC .. A24B 9/00; A24B 13/00; A24D 1/00; A24D 1/008; A24D 1/12; A24D 1/14; A24D 1/22; A61B 17/8802; A61J 1/00; A61J 1/03; A61K 2300/00; B01F 3/00; B01F 3/08; B01F 3/0853; B01F 3/0865; B01F 3/12; B01F 3/1221; B01F 3/18; B01F 3/184; B01F 3/20; B01F 3/2071; B01F 3/22; B01F 3/2276; B01F 7/00; B01F 7/00008; B01F 7/002; B01F 7/0075; B01F 7/02; B01F 7/021; B01F 9/0001; B01F 9/00; B01F 13/0001; B01F 13/00; B01F 2215/0029; B01F 2215/0032; B01F 2215/0034; B01F 2215/0036; B01F 2215/0037; B01F 2215/0045; B01F 2215/0049; B28C 5/0881

See application file for complete search history.

(56) **References Cited**

U.S. PATENT DOCUMENTS

D235,183 S * 5/1975 Sarnen D7/667
 D315,657 S * 3/1991 Ruttimann D7/384
 D337,828 S * 7/1993 Gordon D24/220
 D433,148 S * 10/2000 Dennis D24/220
 D762,091 S * 7/2016 Grumbacher D7/679
 D778,095 S * 2/2017 Gamelli D7/300.1

(Continued)

OTHER PUBLICATIONS

Net32, "House Brand Crown & Bridge Mixing Tips", first available Mar. 18, 2013. (<https://www.net32.com/ec/house-brand-crown-bridge-mixing-tips-101-d-109131>) (Year: 2013).*

(Continued)

Primary Examiner — April Rivas

Assistant Examiner — Justin A Johnson

(74) *Attorney, Agent, or Firm* — David L. King

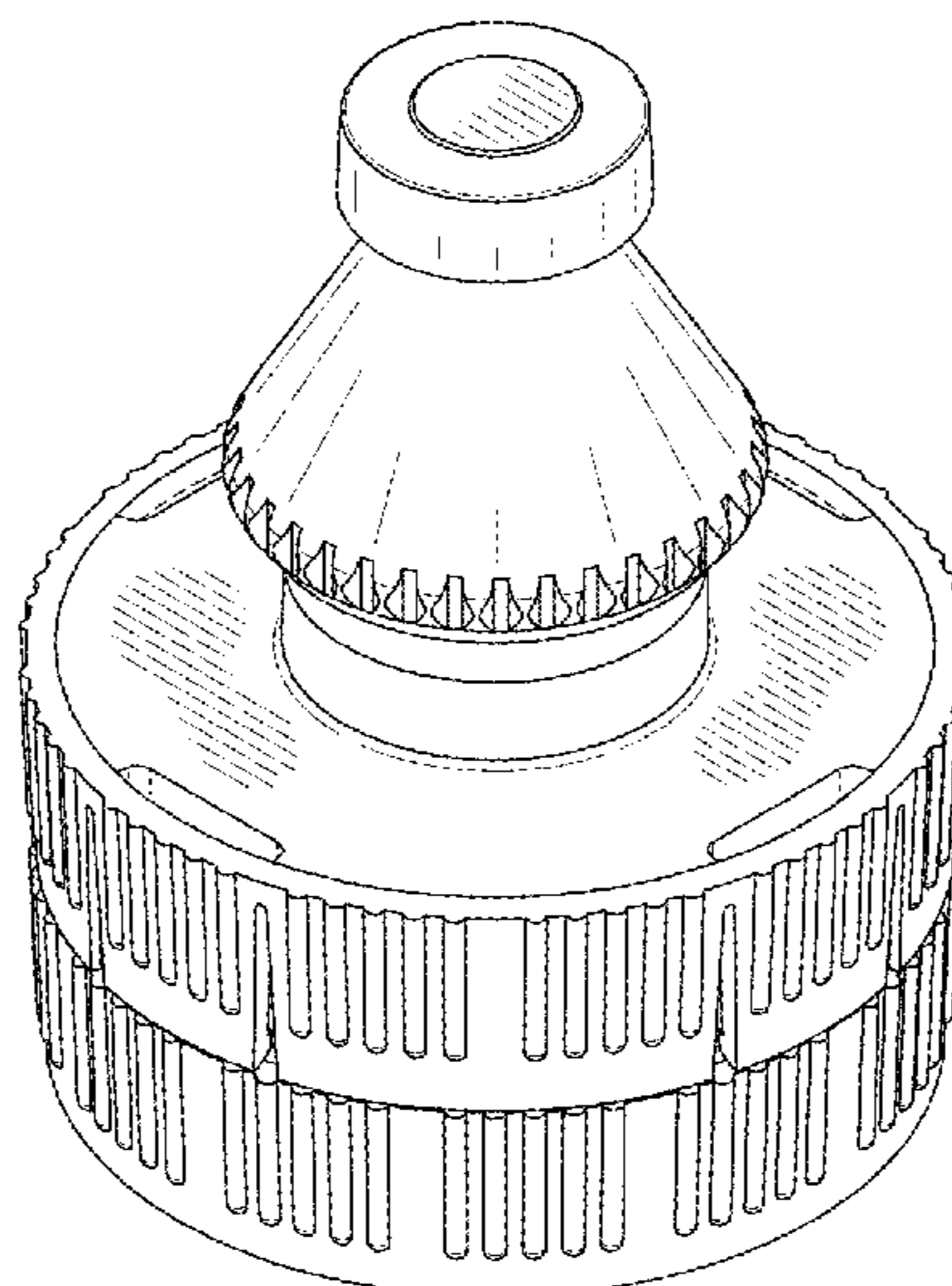
(57) **CLAIM**

The ornamental design for a "mixing container", as shown and described.

DESCRIPTION

FIG. 1 is a top perspective view of a mixing container, showing our new, original and ornamental design;
 FIG. 2 is a bottom perspective view;
 FIG. 3 is a top view;
 FIG. 4 is a bottom view;
 FIG. 5 is front plan view;
 FIG. 6 is a rear plan view;
 FIG. 7 is a left side view; and,
 FIG. 8 is a right side view thereof.
 The broken lines illustrate portions of the interior structure and form no part of the claimed design.

1 Claim, 3 Drawing Sheets



(56)

References Cited

U.S. PATENT DOCUMENTS

D804,093 S * 11/2017 Chen D27/195
D811,652 S * 2/2018 Liu D27/167
D836,243 S * 12/2018 Liu D27/167
2018/0127180 A1 * 5/2018 Gordon G07C 9/33
2018/0133399 A1 * 5/2018 Kumar A61J 1/2093
2018/0199759 A1 * 7/2018 Qiu A47J 42/20
2018/0200685 A1 * 7/2018 Putrino B01F 11/0005

OTHER PUBLICATIONS

Net32, "Bisco Dual-Syringe Static Mixing Tips", first available Jun. 23, 2016. (<https://www.net32.com/ec/bisco-dualsyringe-static-mixing-tips-brown-clear-d-53045>) (Year: 2016).*

Amazon, "AKOAK 12 Pcs Plastic Squeezable Tip Applicator Bottle", first available Oct. 26, 2018. (<https://www.amazon.com/AKOAK-Plastic-Squeezable-Applicator-Capacity/dp/B07JQFVT4P?th=1>) (Year: 2018).*

Adhesive Dispensing, "Mix Nozzle 2.5m", first available Nov. 4, 2020. (https://www.adhesivedispensing.net/114257_mixer_2_5mm_ID_x_16_elements_pk_100_p/114257.htm) (Year: 2020).*

* cited by examiner

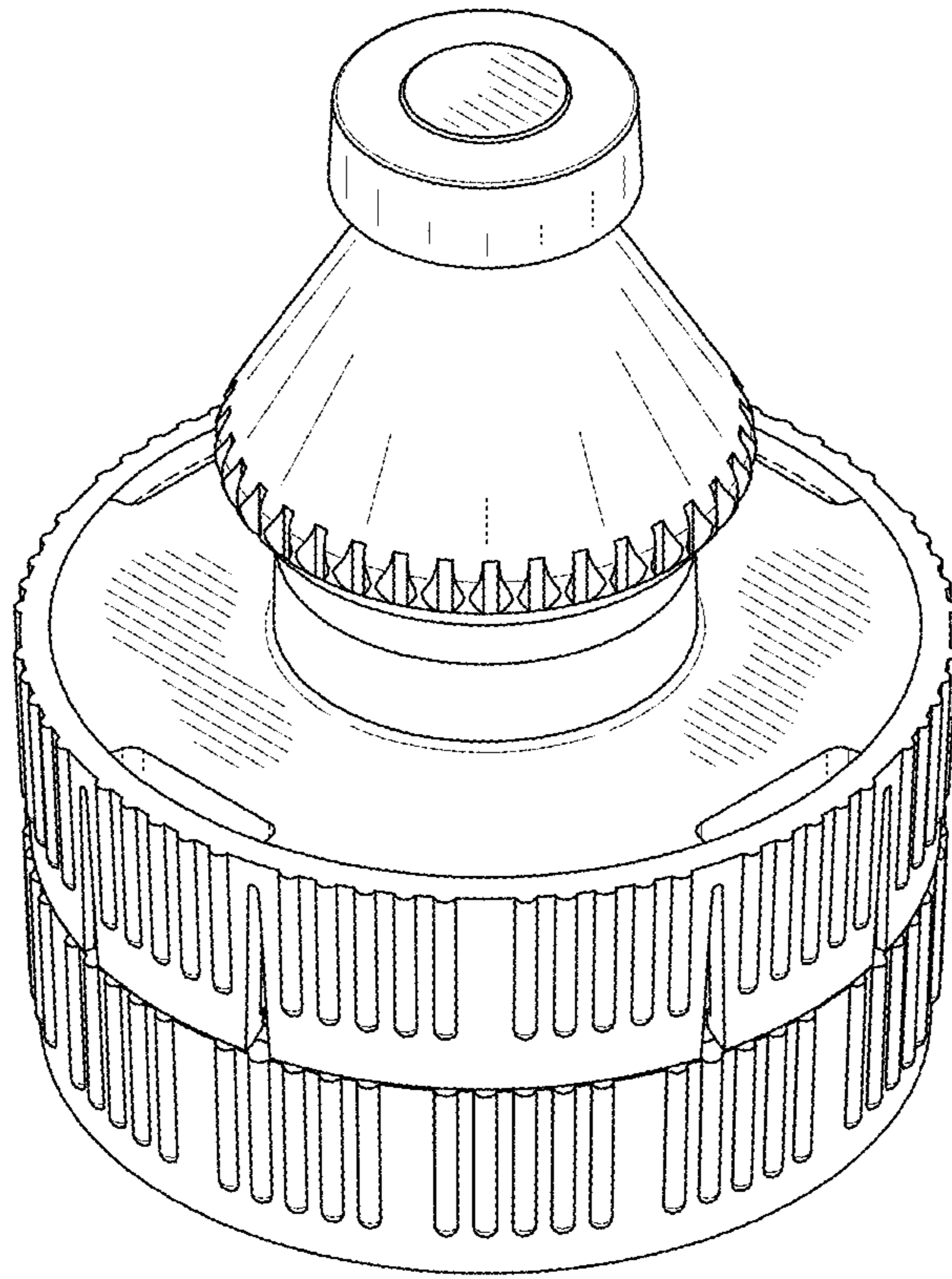


FIG. 1

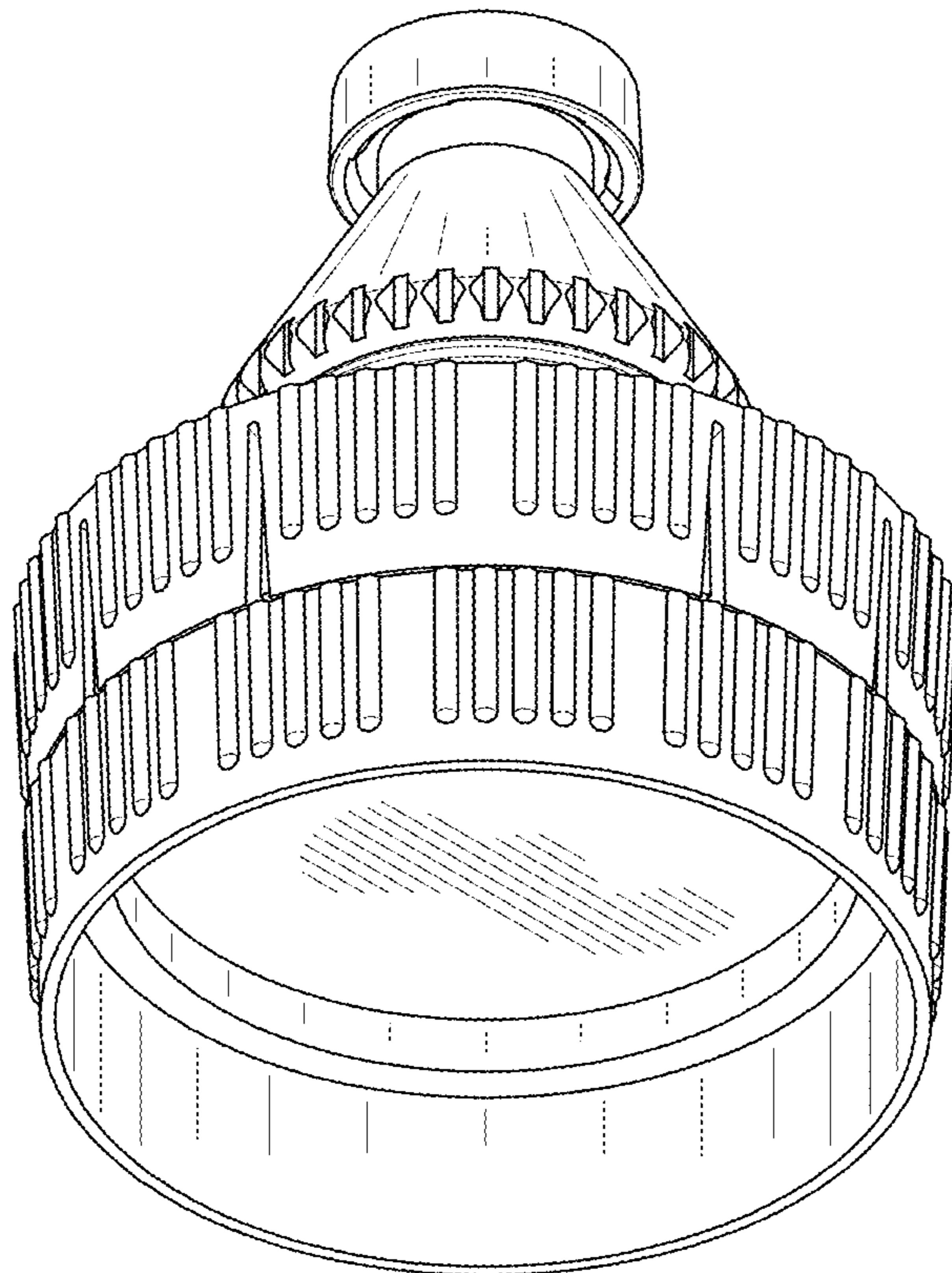


FIG. 2

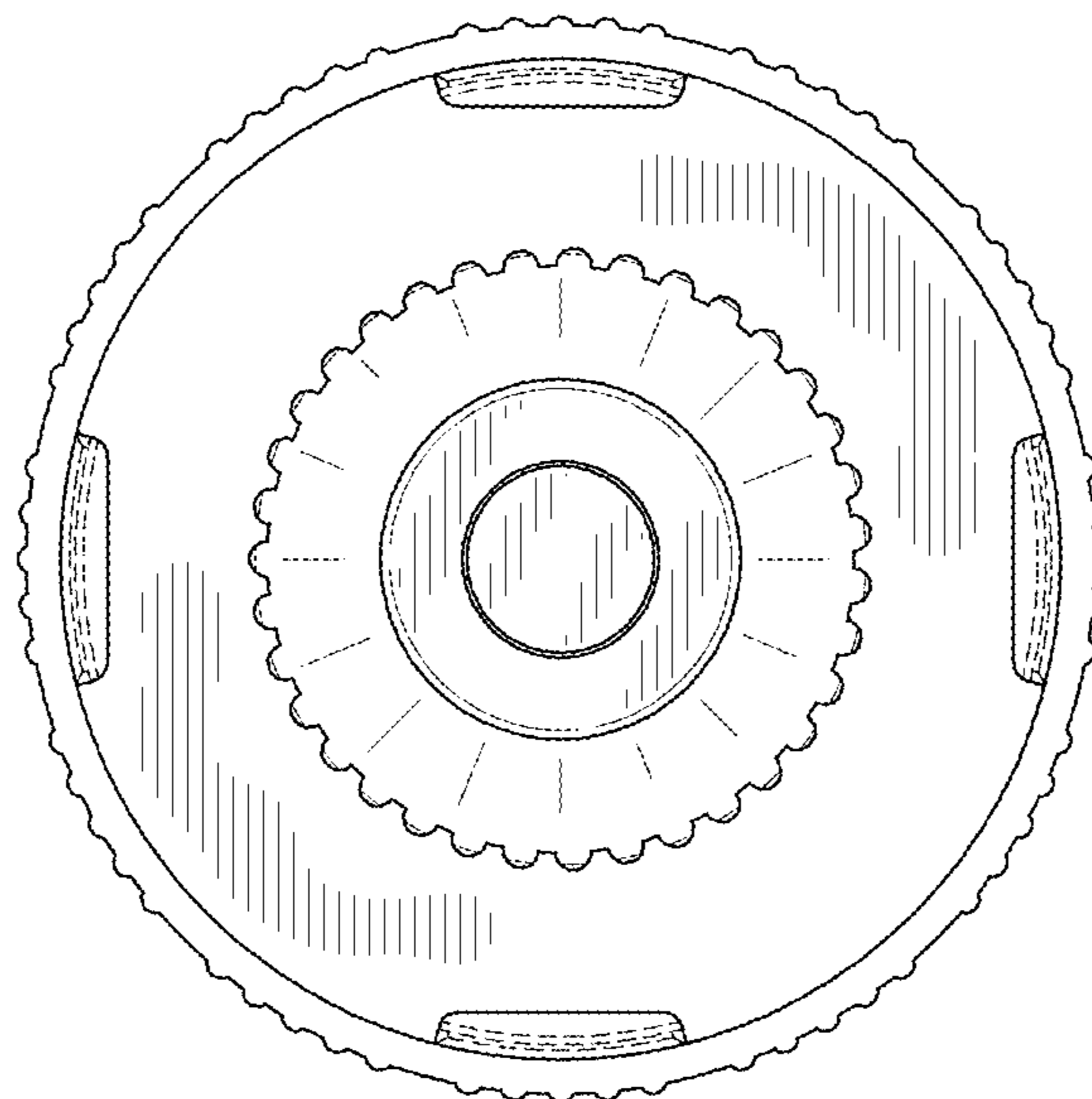


FIG. 3

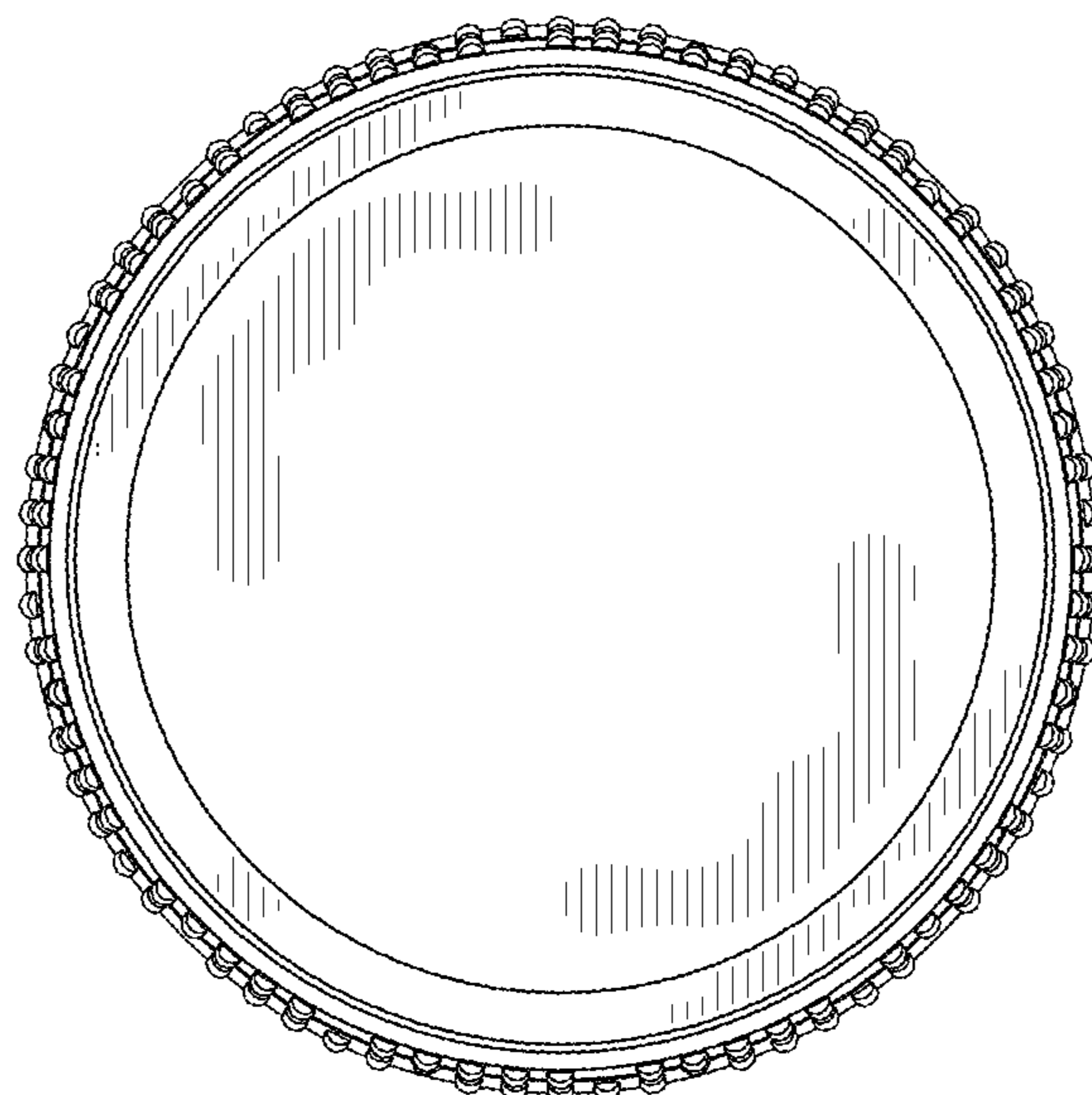


FIG. 4

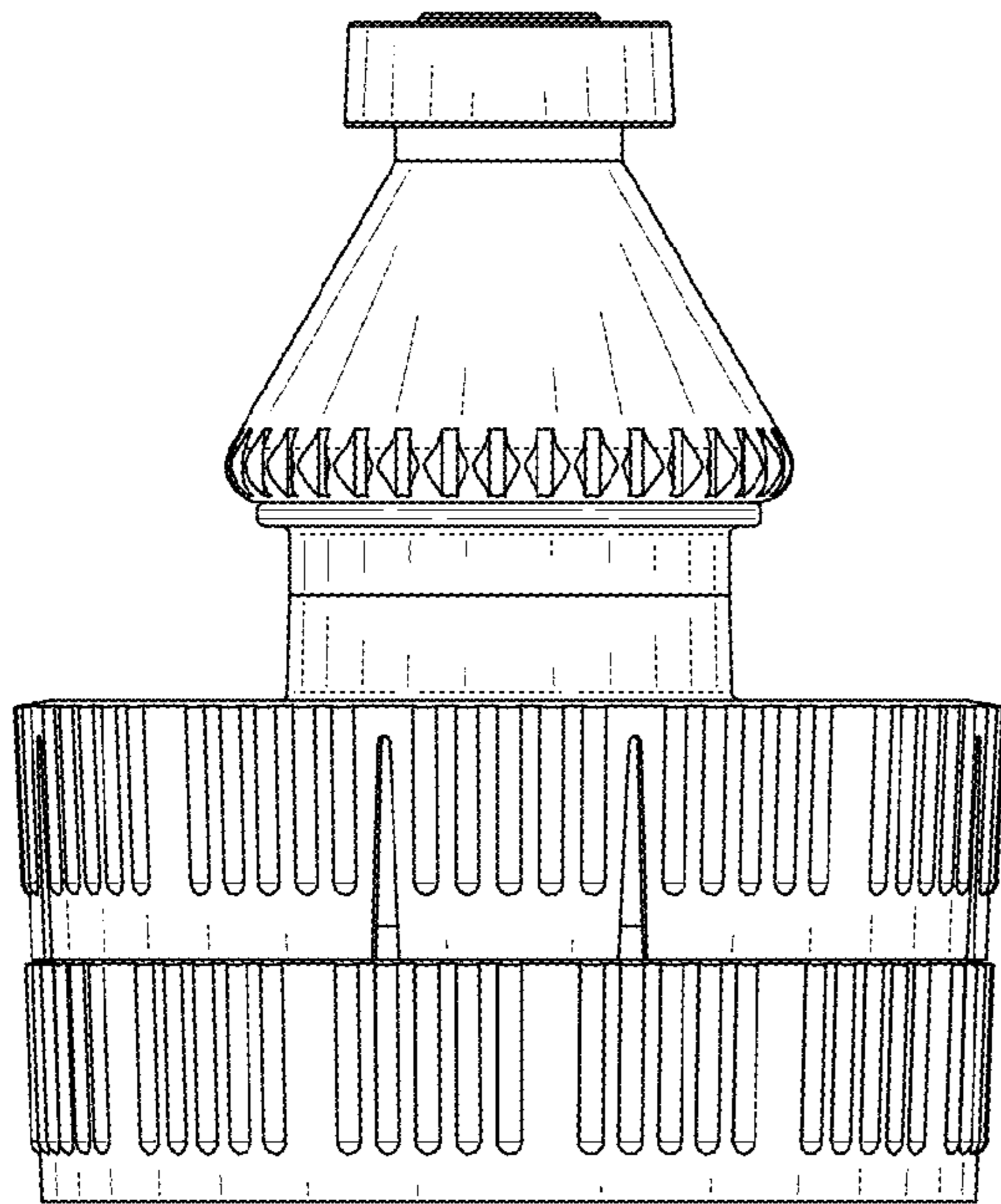


FIG. 5

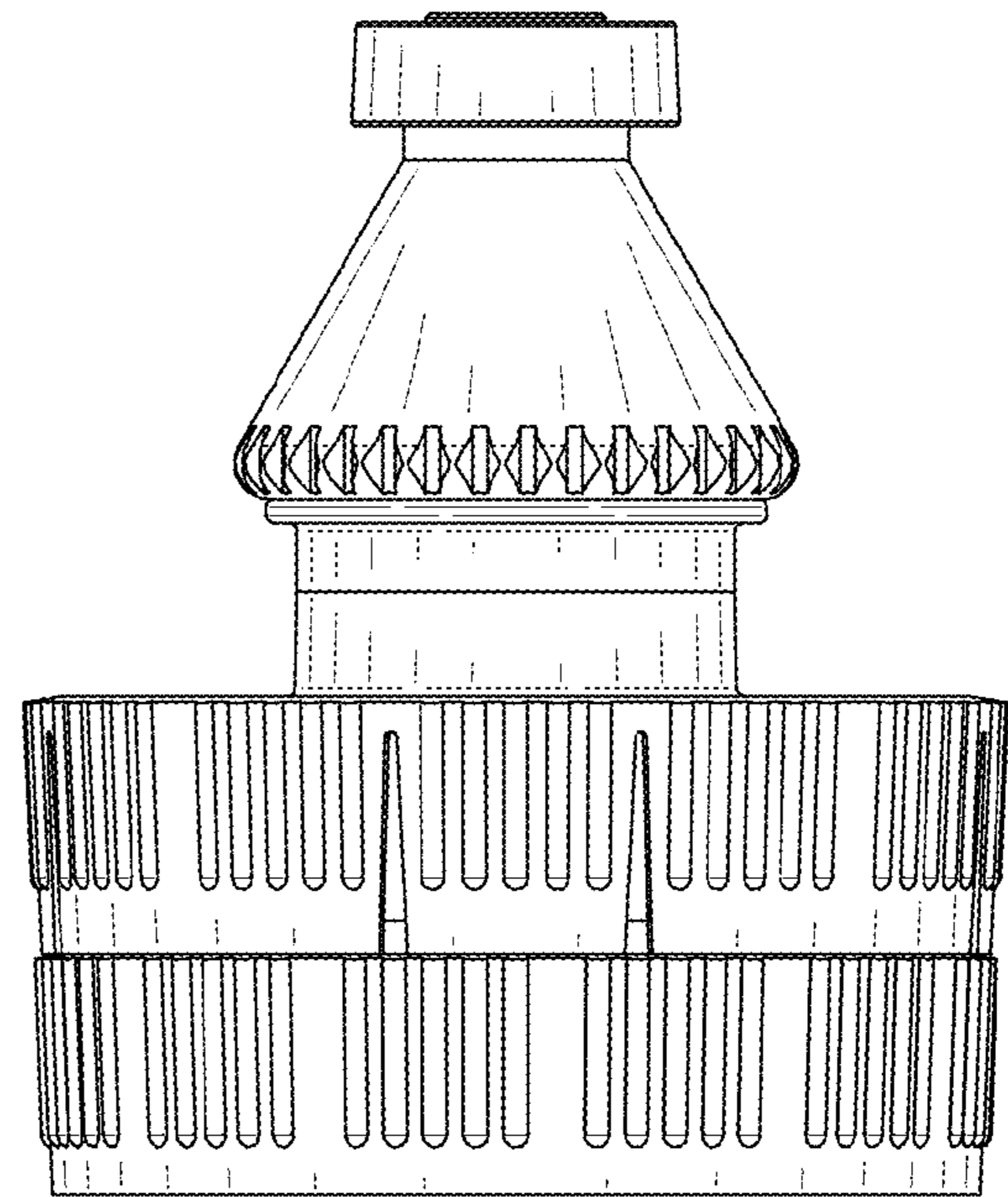


FIG. 6

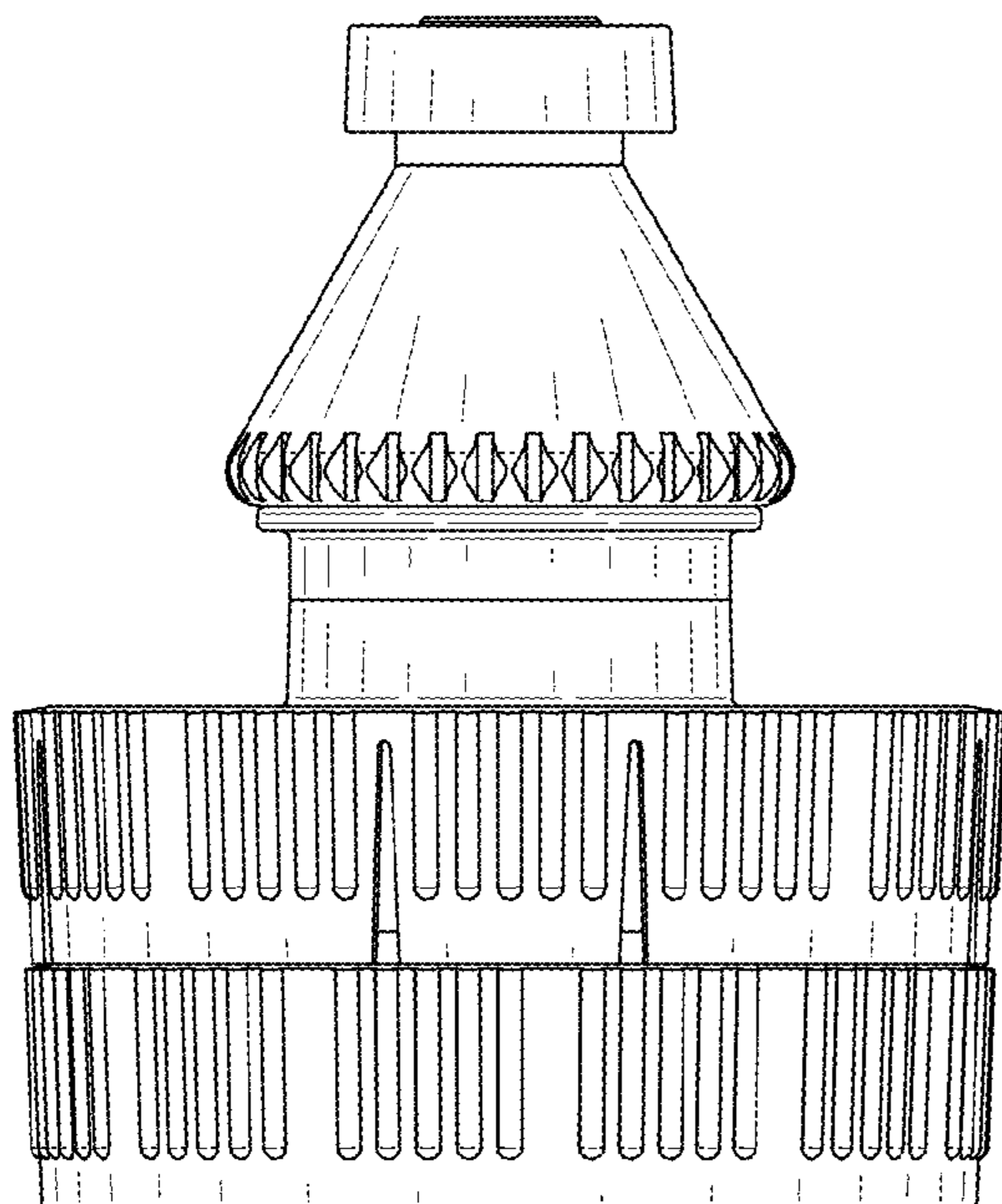


FIG. 7

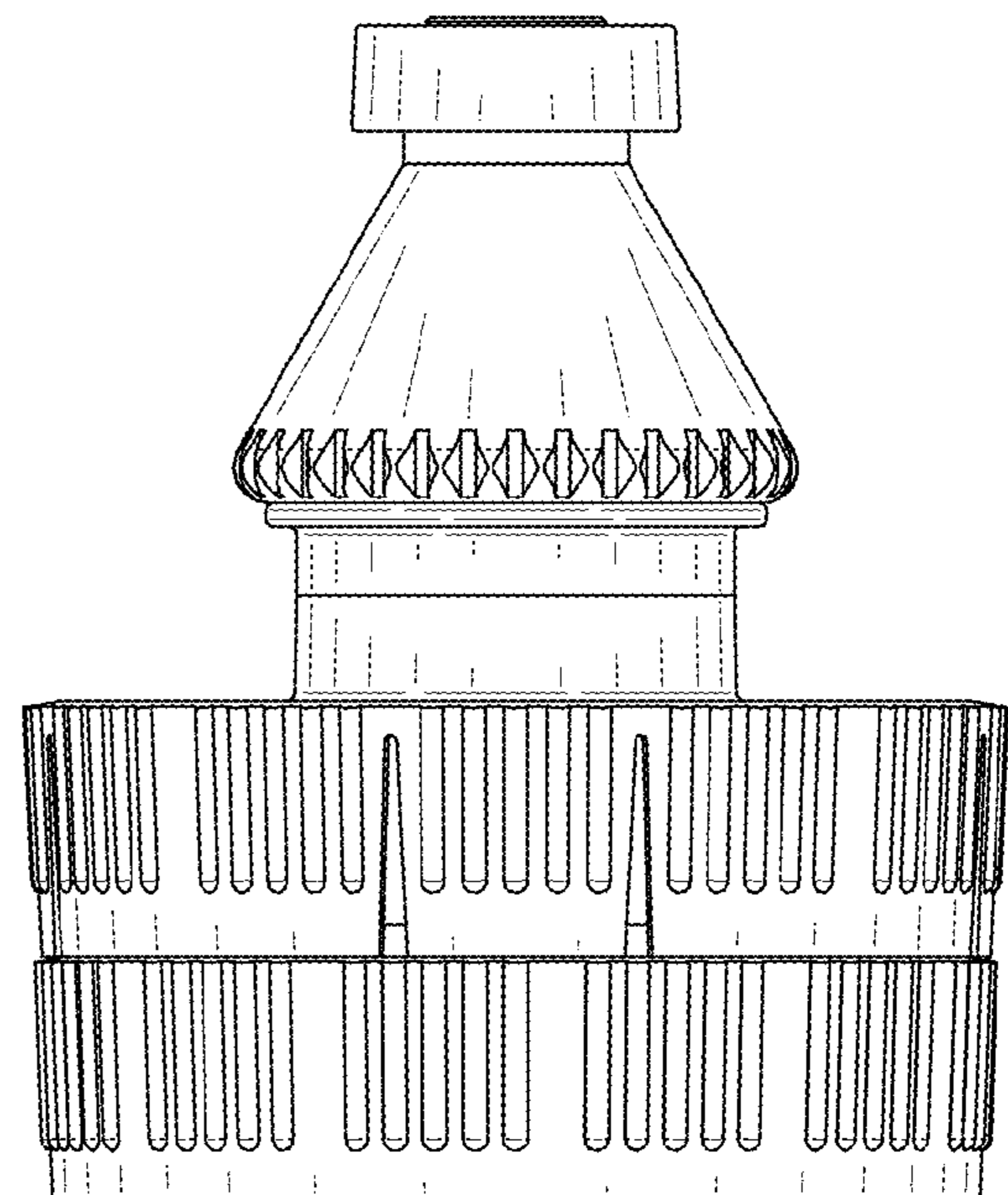


FIG. 8