



US00D911546S

(12) **United States Design Patent** (10) **Patent No.:** **US D911,546 S**
Vacic et al. (45) **Date of Patent:** **** Feb. 23, 2021**

(54) **APPARATUS FOR MEDICAL OR LABORATORY DIAGNOSIS**

(56) **References Cited**

(71) Applicant: **SELUX DIAGNOSTICS, INC.**
(72) Inventors: **Aleksandar Vacic**, Charlestown, MA (US); **Brian Pughe**, Annandale, NJ (US); **Stephen Emanuel Simantiras**, Randolph, NJ (US); **Matthew Joseph Tramontana**, Pennington, NJ (US); **Nathan Purmort**, Charlestown, MA (US)

U.S. PATENT DOCUMENTS

D765,257	S	*	8/2016	Marzynski	D24/186
D802,156	S	*	11/2017	Barton	D24/216
D838,613	S	*	1/2019	Barton	D10/81
D881,405	S	*	4/2020	Hussey	D24/216
D888,267	S	*	6/2020	Salomon	D24/216
D889,668	S	*	7/2020	Chiu	D24/185
D892,352	S	*	8/2020	Huang	D24/232
2012/0227471	A1	*	9/2012	Smith	G01N 35/1011 73/61.59

(73) Assignee: **SELUX DIAGNOSTICS, INC.**, Charlestown, MA (US)

OTHER PUBLICATIONS

[Online] www.seluxdx.com. Printed Oct. 10, 2020.*

(**) Term: **15 Years**

* cited by examiner

(21) Appl. No.: **35/507,510**

Primary Examiner — Melanie Pellegrini

(22) Filed: **Dec. 7, 2018**

(74) *Attorney, Agent, or Firm* — Kacvinsky Daisak Bluni PLLC

(80) **Hague Agreement Data**

Int. Filing Date: **Dec. 7, 2018**
Int. Reg. No.: **DM/203156**
Int. Reg. Date: **Dec. 7, 2018**
Int. Reg. Pub. Date: **Oct. 11, 2019**

(57) **CLAIM**

The ornamental design for an Apparatus for Medical or Laboratory Diagnosis, as shown and described.

(51) **LOC (13) Cl.** **24-02**

(52) **U.S. Cl.**
USPC **D24/216**

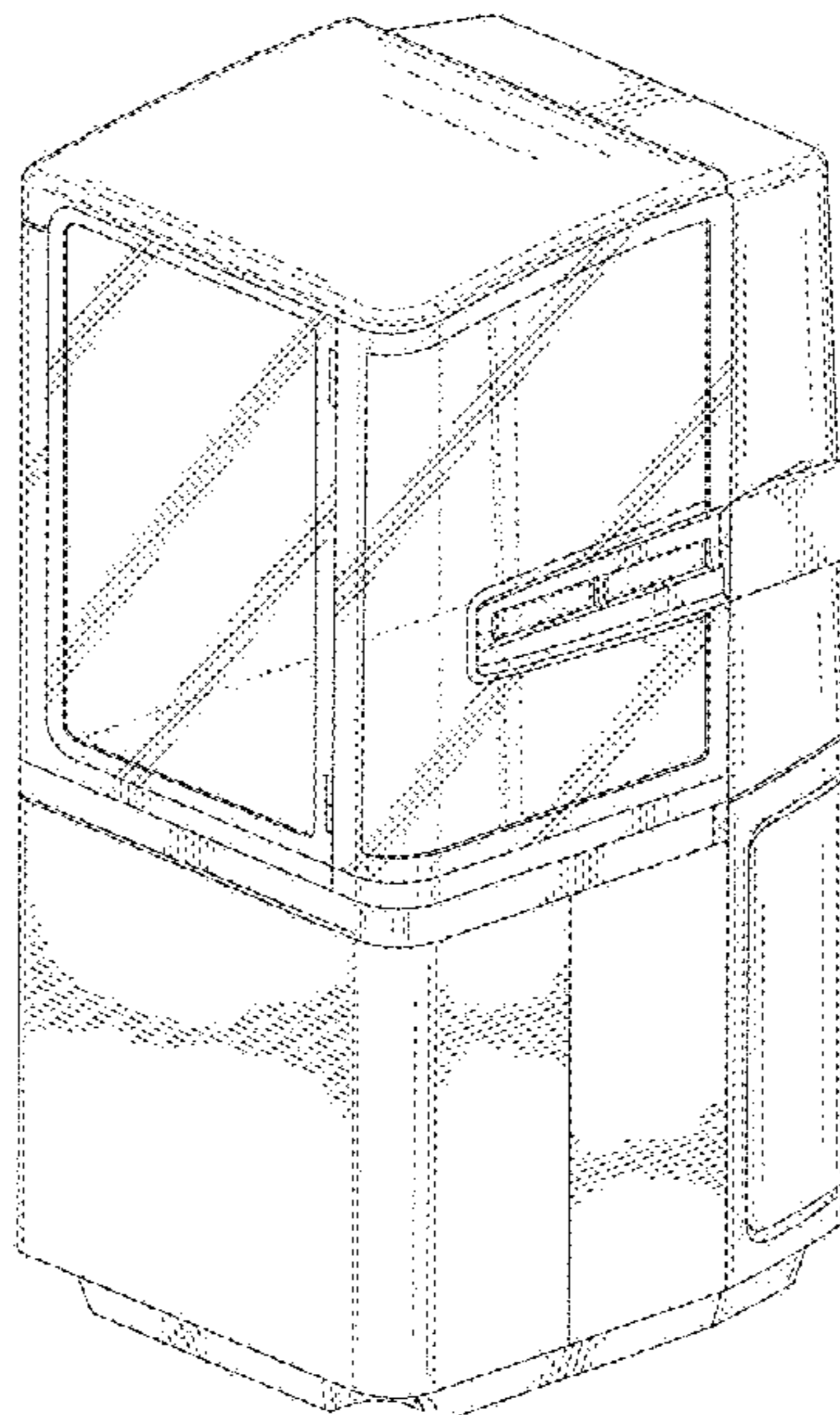
(58) **Field of Classification Search**
USPC D24/216, 219, 223, 224, 227, 229, 230, D24/231, 232, 233, 234, 107, 186, 217, D24/220, 225, 226; D10/81, 97
CPC G01N 2035/00306; G01N 2035/00326; G01N 2035/00336; G01N 33/53; G01N 33/5302; G01N 33/569; B01L 7/52
See application file for complete search history.

DESCRIPTION

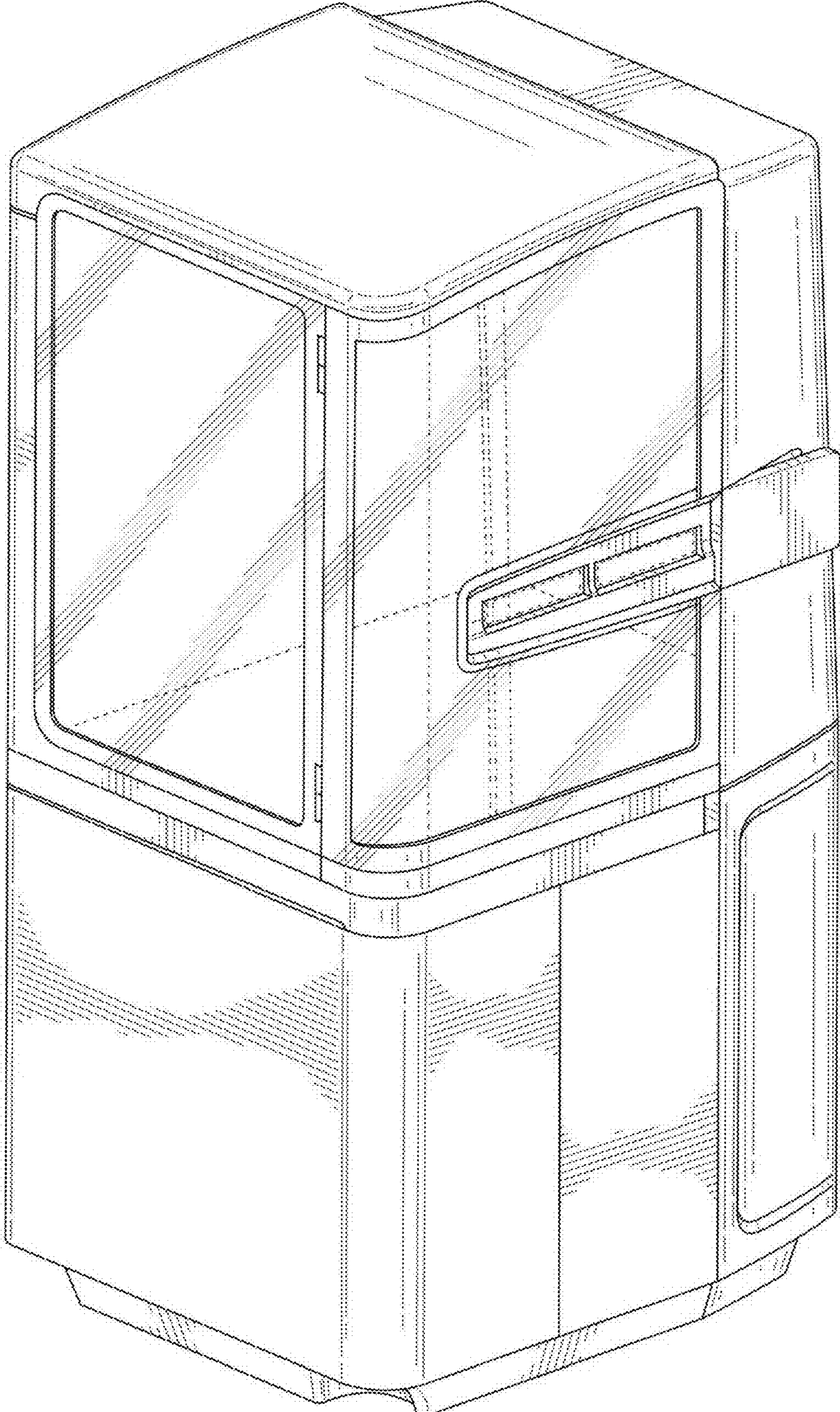
- 2. Apparatus for medical or laboratory diagnosis
- 2.1: perspective
- 2.2: side
- 2.3: opposite side
- 2.4: front
- 2.5: rear
- 2.6: top
- 2.7: bottom

The broken lines in the reproductions illustrate portions of the Apparatus for Medical or Laboratory Diagnosis which form no part of the claimed design.

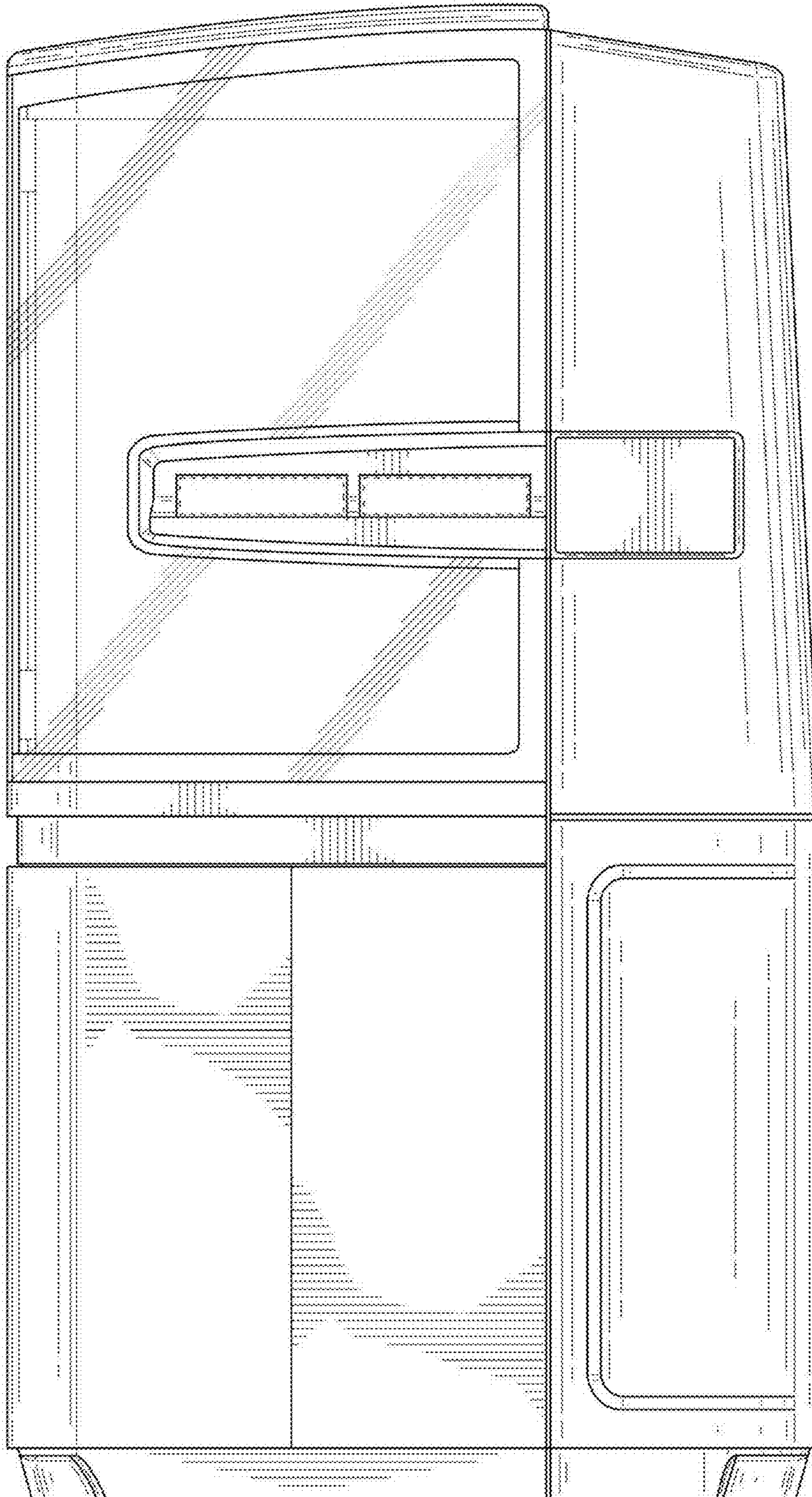
1 Claim, 7 Drawing Sheets



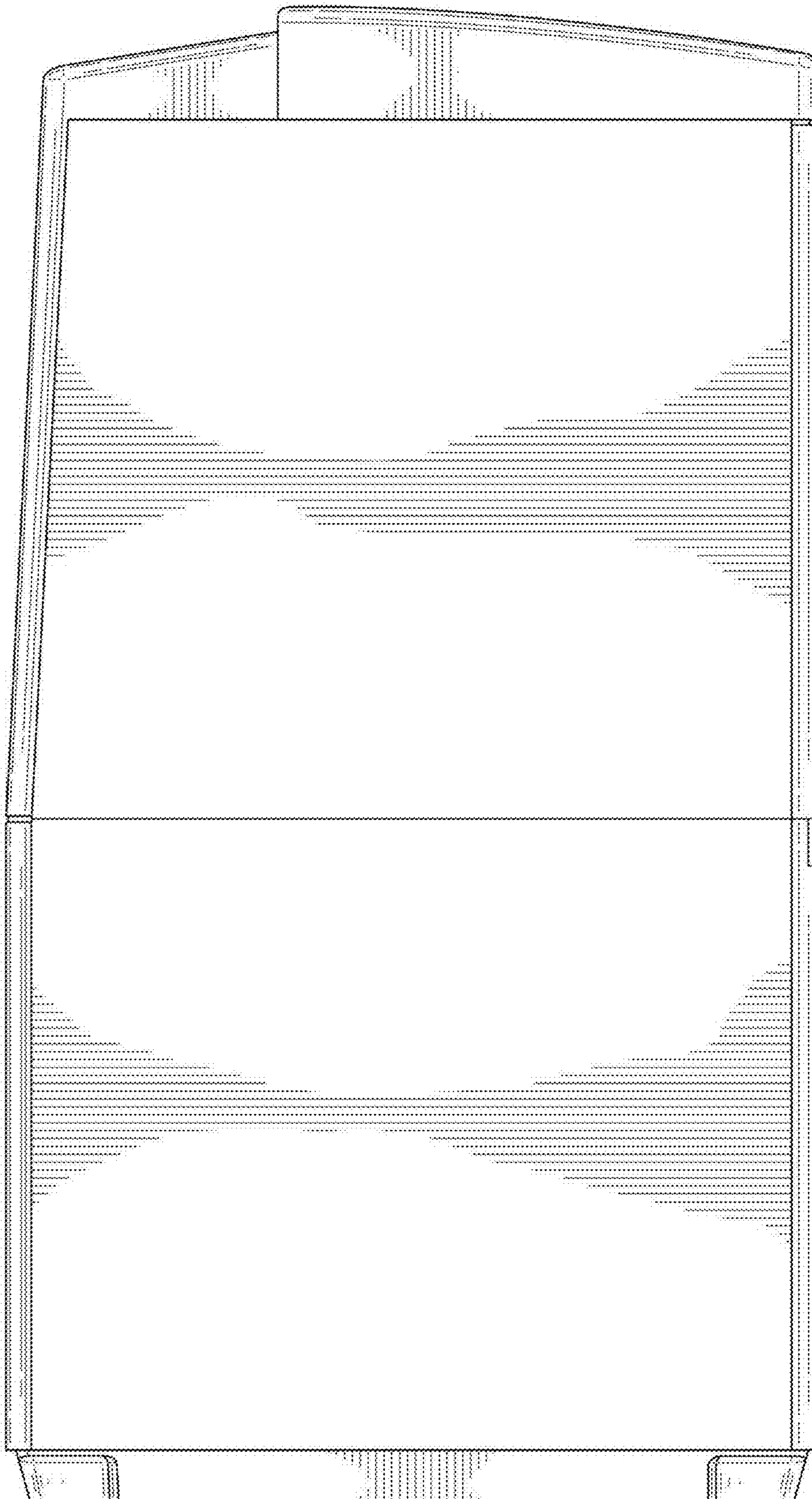
2.1



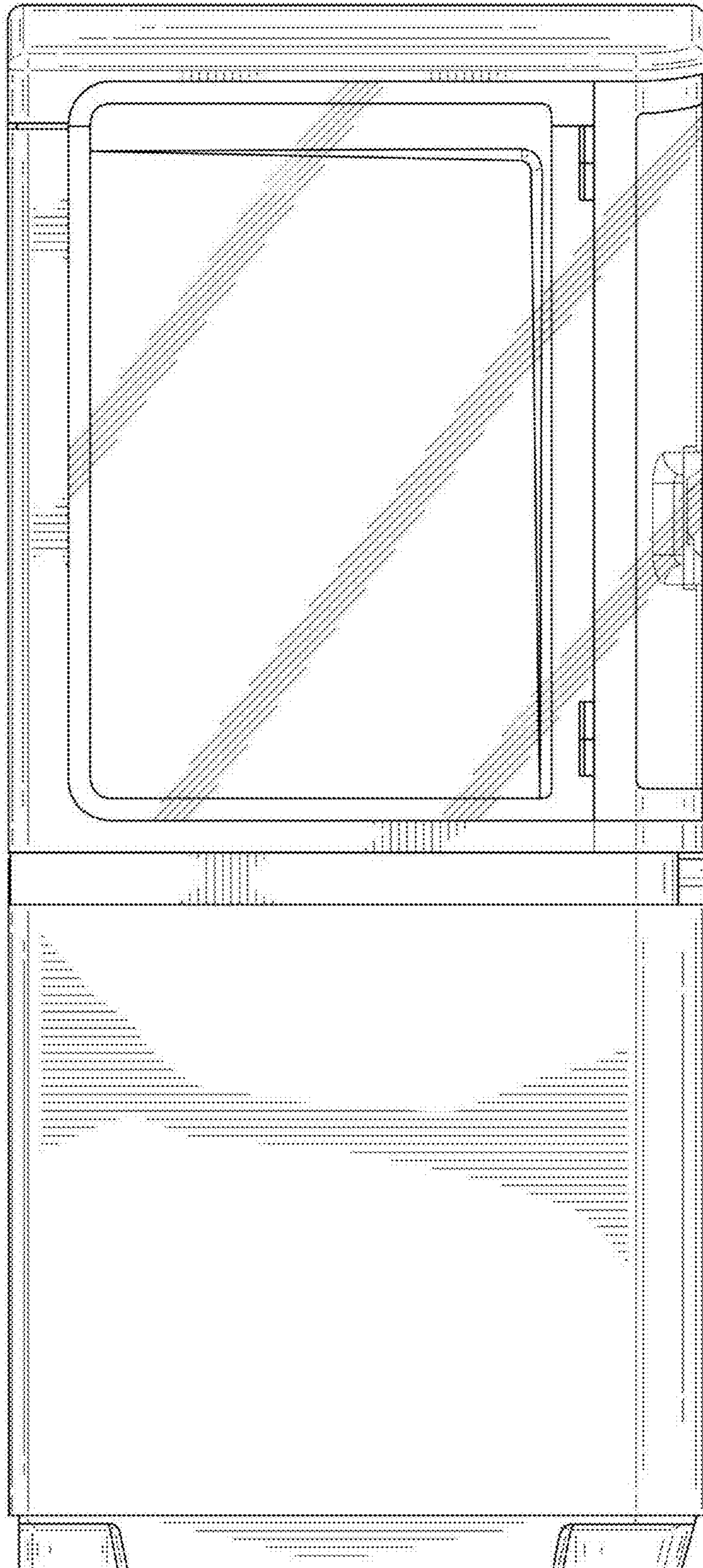
2.2



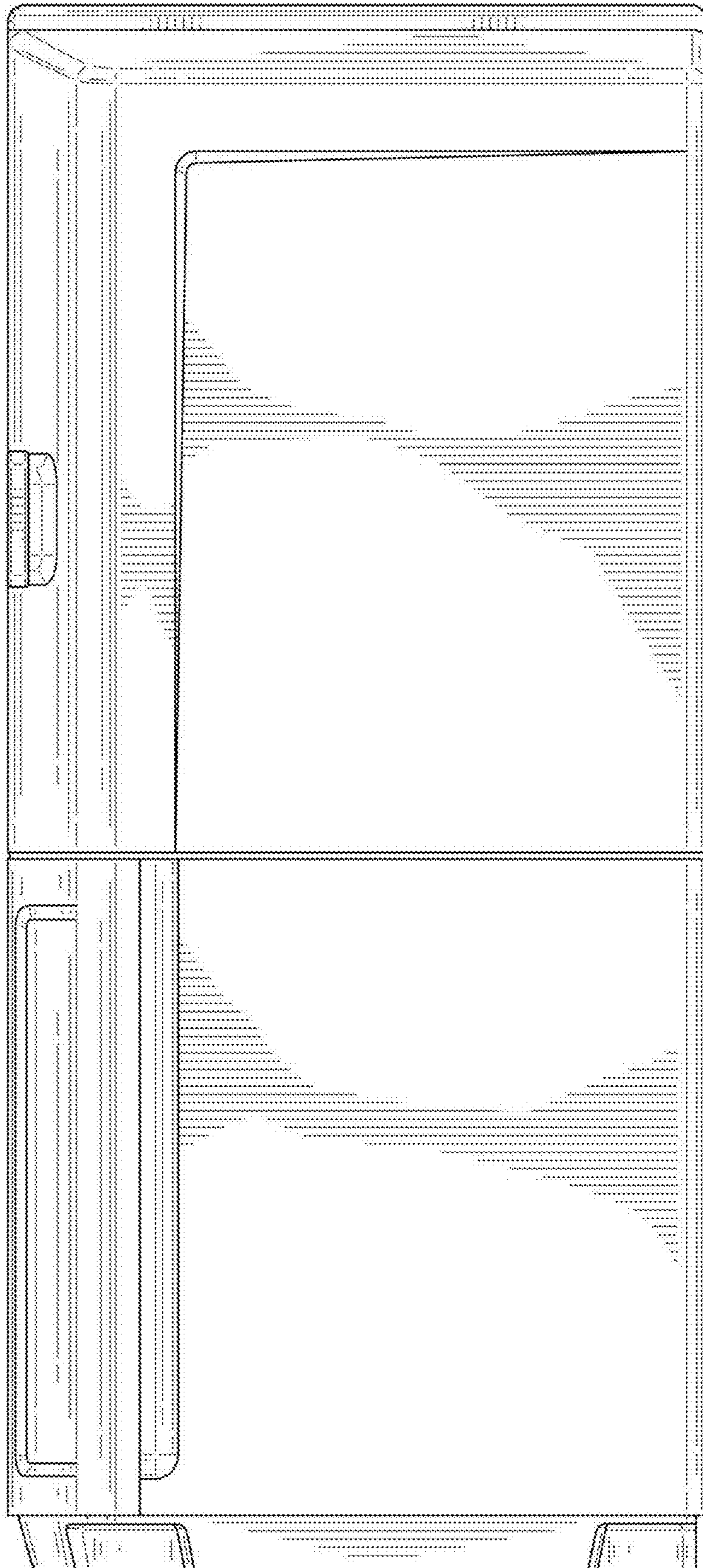
2.3



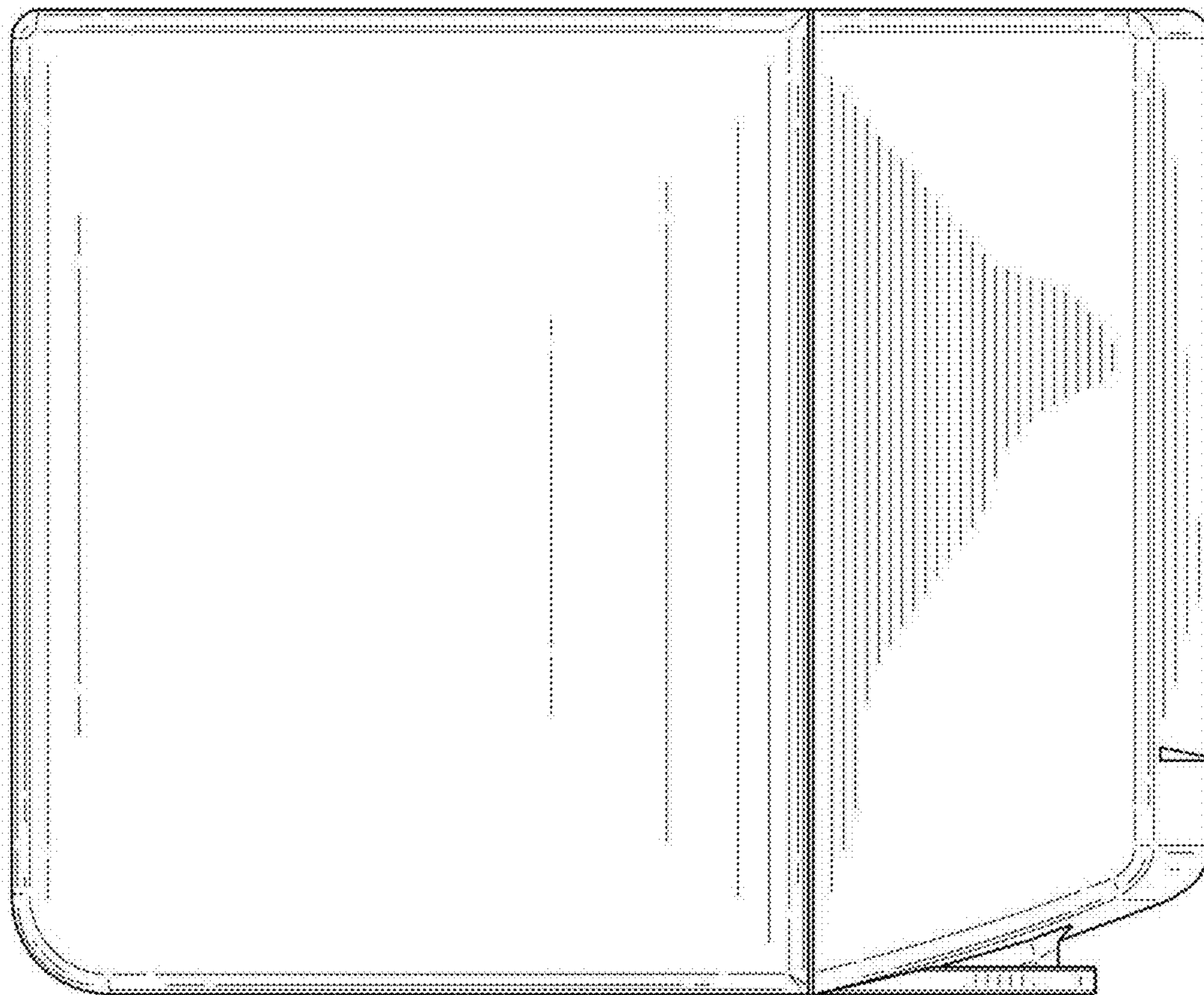
2.4



2.5



2.6



2.7

