



US00D911543S

(12) **United States Design Patent**
Zhang

(10) **Patent No.:** **US D911,543 S**
(45) **Date of Patent:** **** Feb. 23, 2021**

(54) **MESSAGE DEVICE**
(71) Applicant: **Dongguan Shenai Electronic Technology Co., Ltd., Dongguan (CN)**
(72) Inventor: **Linlin Zhang, Dongguan (CN)**
(73) Assignee: **DONGGUAN SHENAI ELECTRONIC TECHNOLOGY CO., LTD., Dongguan (CN)**
(**) Term: **15 Years**
(21) Appl. No.: **29/701,615**
(22) Filed: **Aug. 13, 2019**

4,258,913 A * 3/1981 Brentham A63B 21/0083
482/112
4,350,067 A * 9/1982 Picard B27B 17/0058
269/296
4,355,525 A * 10/1982 Carson B21D 7/024
72/149
4,570,925 A * 2/1986 Kock A63B 23/16
482/114
D307,182 S * 4/1990 Smith D24/128
D320,823 S * 10/1991 Tanner D21/686
D368,288 S * 3/1996 Kasbohm D21/686
5,545,111 A * 8/1996 Wang A63B 22/001
482/147
D395,933 S * 7/1998 Lin D21/662
D398,669 S * 9/1998 Anderson D21/662
5,830,107 A * 11/1998 Brigliadoro A63B 23/03575
482/1
D401,985 S * 12/1998 Wheeler D21/686

(30) **Foreign Application Priority Data**
Mar. 27, 2019 (CN) 201930132173.2
(51) **LOC (13) Cl.** **28-03**
(52) **U.S. Cl.**
USPC **D24/215**
(58) **Field of Classification Search**
USPC D21/662, 673, 686, 691, 694, 826;
D25/62, 66, 68, 119, 126, 136; D6/329;
D8/14, 323, 349, 354, 360; D24/107,
D24/128, 215; D15/10, 66, 122, 141,
D15/147, 199
CPC .. A63B 1/00; A63B 2023/003; A63B 23/1218
See application file for complete search history.

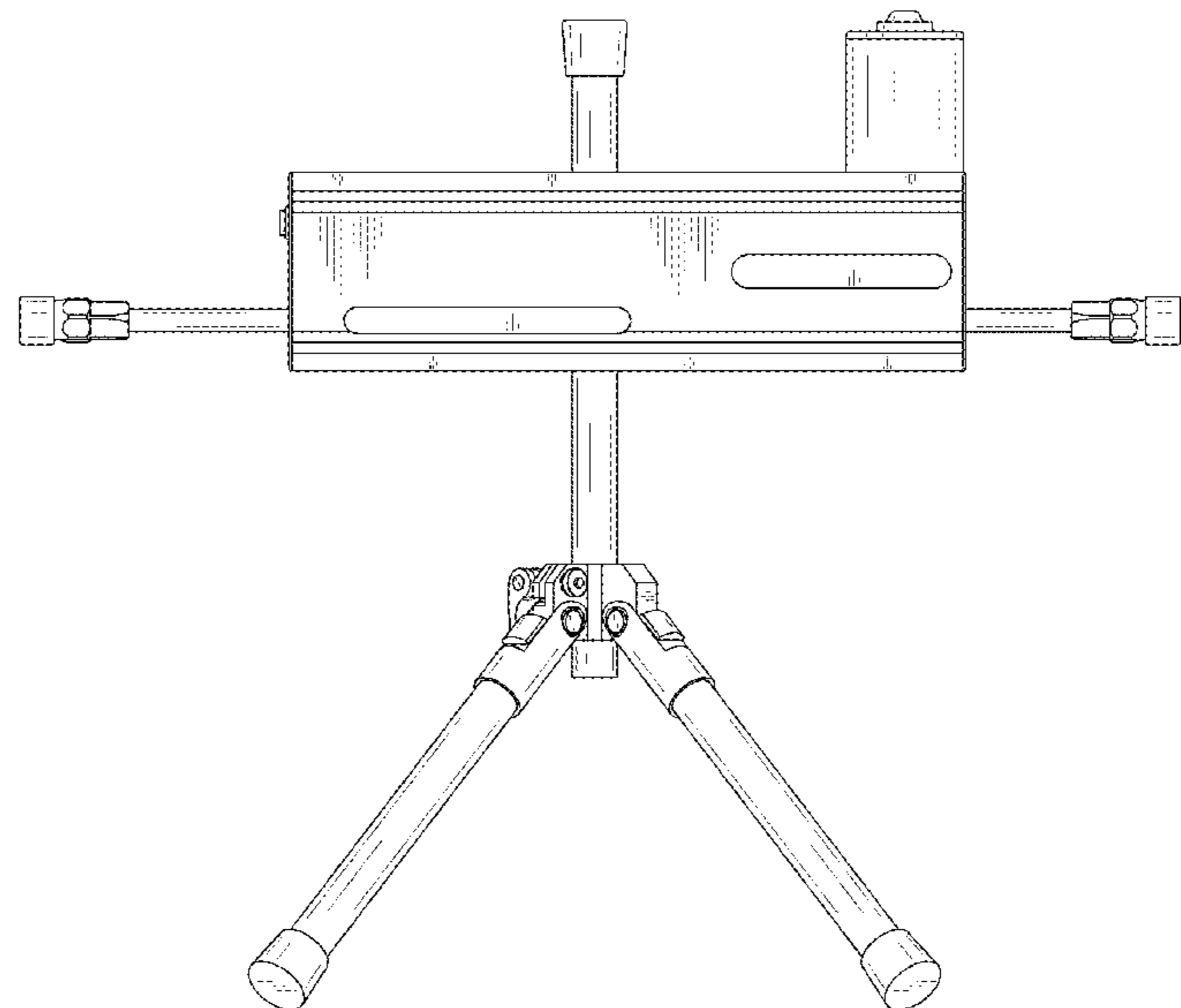
(Continued)
Primary Examiner — Cynthia Ramirez
Assistant Examiner — Michael A Maharajh
(74) *Attorney, Agent, or Firm* — Shimokaji IP

(56) **References Cited**
U.S. PATENT DOCUMENTS
3,117,760 A * 1/1964 Dresbach A63B 1/00
248/188.5
D243,294 S * 2/1977 Thaheld D3/18
D244,754 S * 6/1977 Bard D15/66
D244,755 S * 6/1977 Bard D15/66
4,042,232 A * 8/1977 Lile A61G 13/12
5/630

(57) **CLAIM**
The ornamental design for a message device, as shown and described.

DESCRIPTION
FIG. 1 is a front elevational view of a message device showing our design;
FIG. 2 is a rear elevational view thereof;
FIG. 3 is a left side elevational view thereof;
FIG. 4 is a right side elevational view thereof;
FIG. 5 is a top plan view thereof;
FIG. 6 is a bottom plan view thereof;
FIG. 7 is a first perspective view thereof;
FIG. 8 is a second perspective view thereof;
FIG. 9 is a third perspective view thereof; and,
FIG. 10 is a fourth perspective view thereof.

1 Claim, 9 Drawing Sheets



(56)

References Cited

U.S. PATENT DOCUMENTS

D408,476 S * 4/1999 Howachyn D21/662
 D515,640 S * 2/2006 Carter D21/673
 D541,356 S * 4/2007 Ayton D21/686
 D549,749 S * 8/2007 Francis D15/141
 D567,312 S * 4/2008 Tsai D21/662
 D598,965 S * 8/2009 Augustine D21/673
 D615,138 S * 5/2010 Briscoe D21/686
 D619,181 S * 7/2010 Oller D21/662
 8,246,524 B2 * 8/2012 Castillo A63B 23/0227
 482/92
 D686,287 S * 7/2013 Boatwright D21/691
 D745,939 S * 12/2015 Kaye D21/686
 D755,909 S * 5/2016 James D21/686
 9,415,287 B2 * 8/2016 Greiwe A61H 1/005
 D824,036 S * 7/2018 Hu D24/200
 10,675,554 B2 * 6/2020 Bowman A63K 3/043

2005/0020412 A1 * 1/2005 Chen A63B 22/0064
 482/80
 2005/0049115 A1 * 3/2005 Gomez A63B 23/1218
 482/36
 2005/0209054 A1 * 9/2005 Thomas Lebert A63B 1/00
 482/41
 2007/0232464 A1 * 10/2007 Chu A63B 21/00181
 482/96
 2007/0259760 A1 * 11/2007 Perez A63B 23/0211
 482/140
 2009/0176621 A1 * 7/2009 Kopp A63B 1/00
 482/25
 2012/0040812 A1 * 2/2012 Liao Lai A63B 23/0238
 482/142
 2013/0345026 A1 * 12/2013 Eberflus A63B 1/00
 482/38
 2019/0105527 A1 * 4/2019 Hallmark A63B 23/1218
 2020/0147434 A1 * 5/2020 Garcia, Jr. A63B 23/1227
 2020/0222739 A1 * 7/2020 George A63B 1/00

* cited by examiner

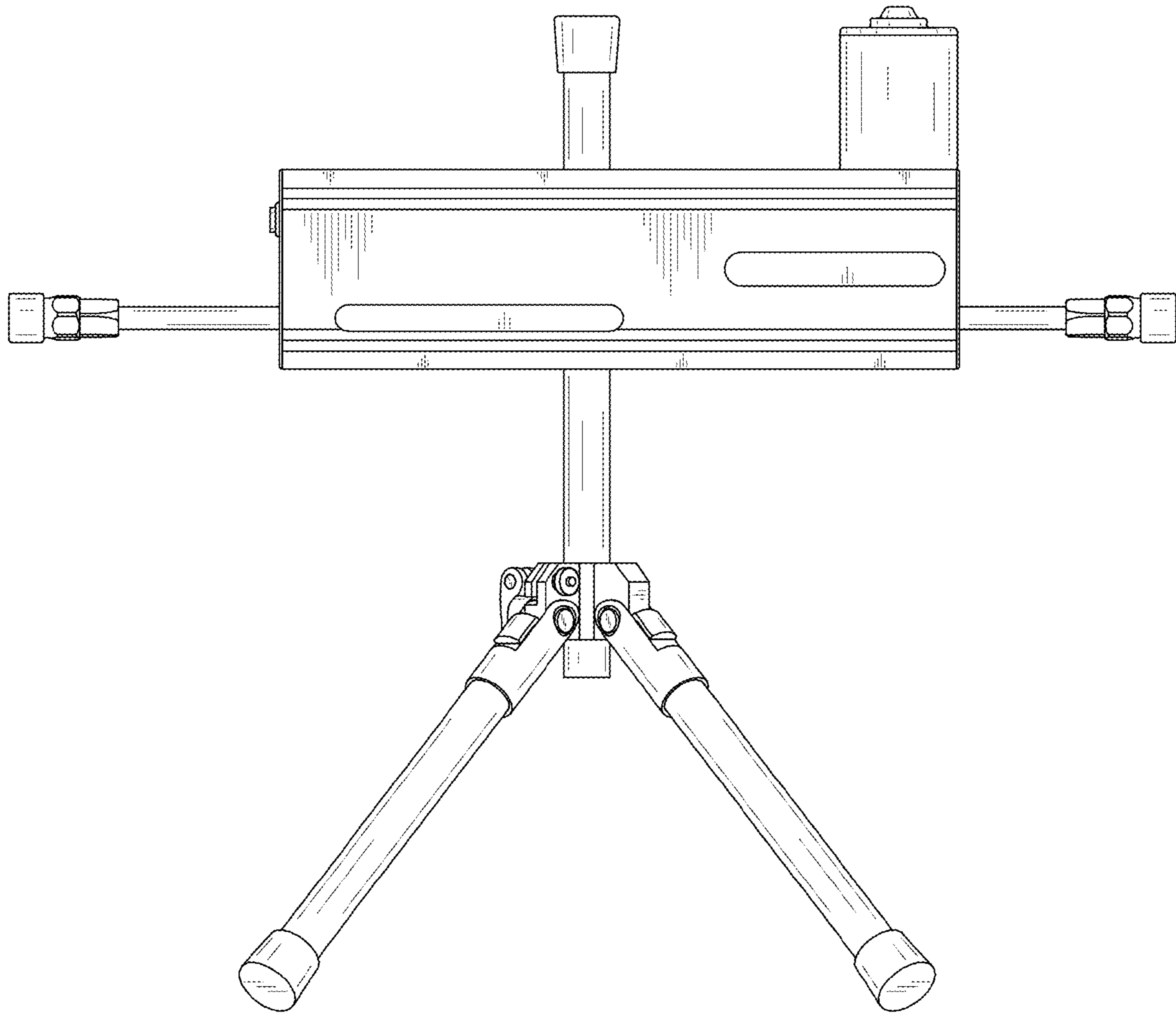


FIG.1

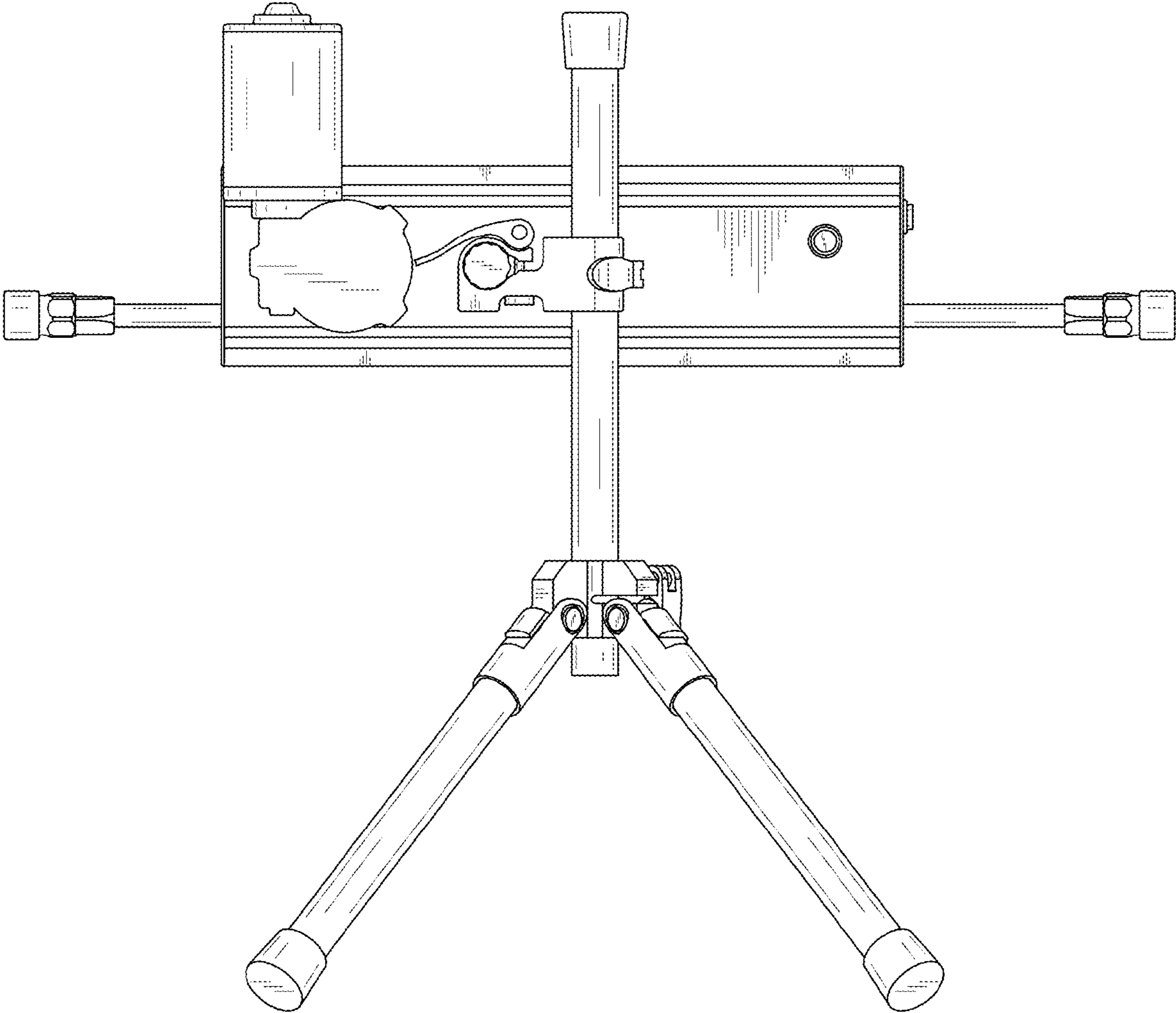


FIG.2

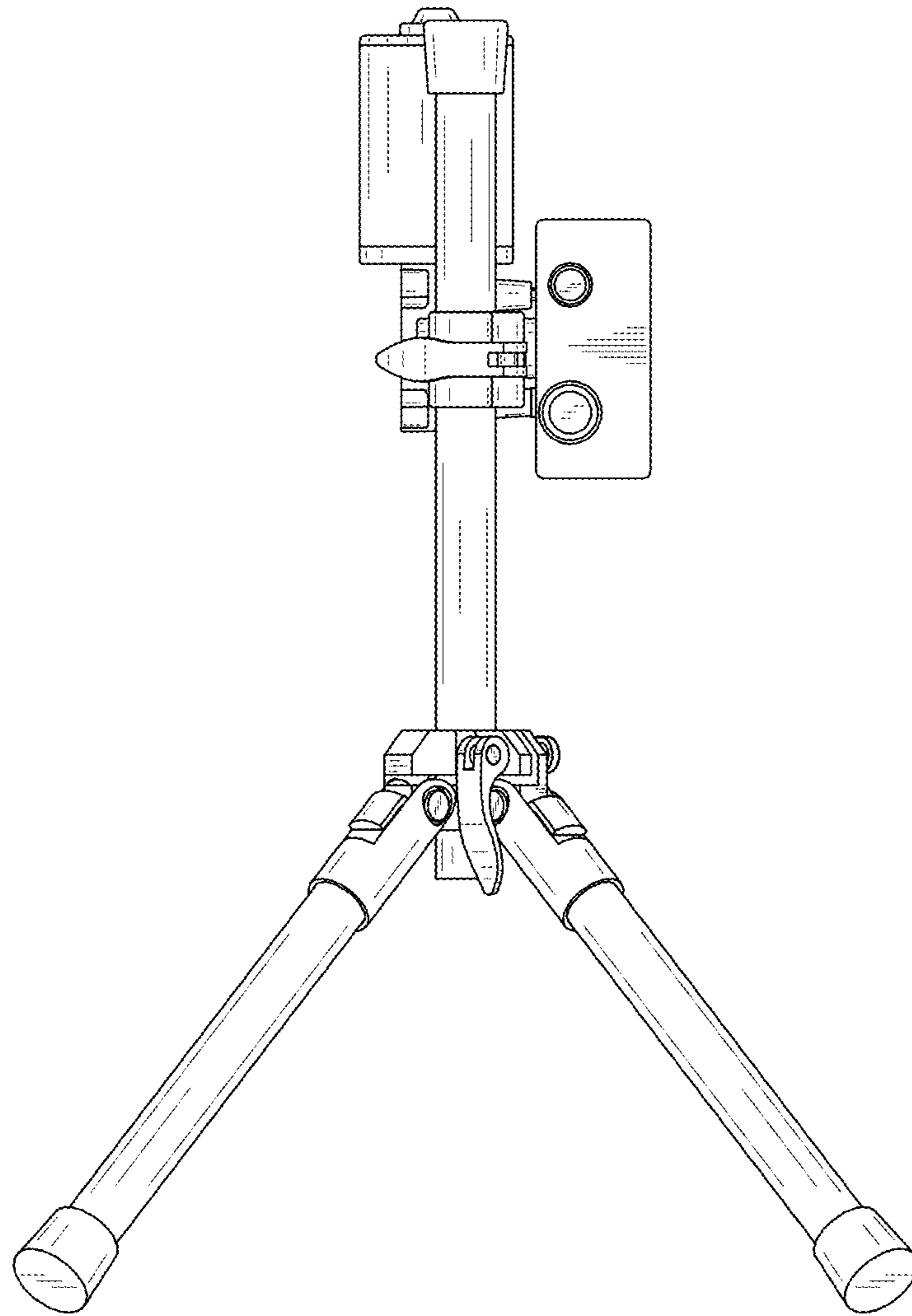


FIG.3

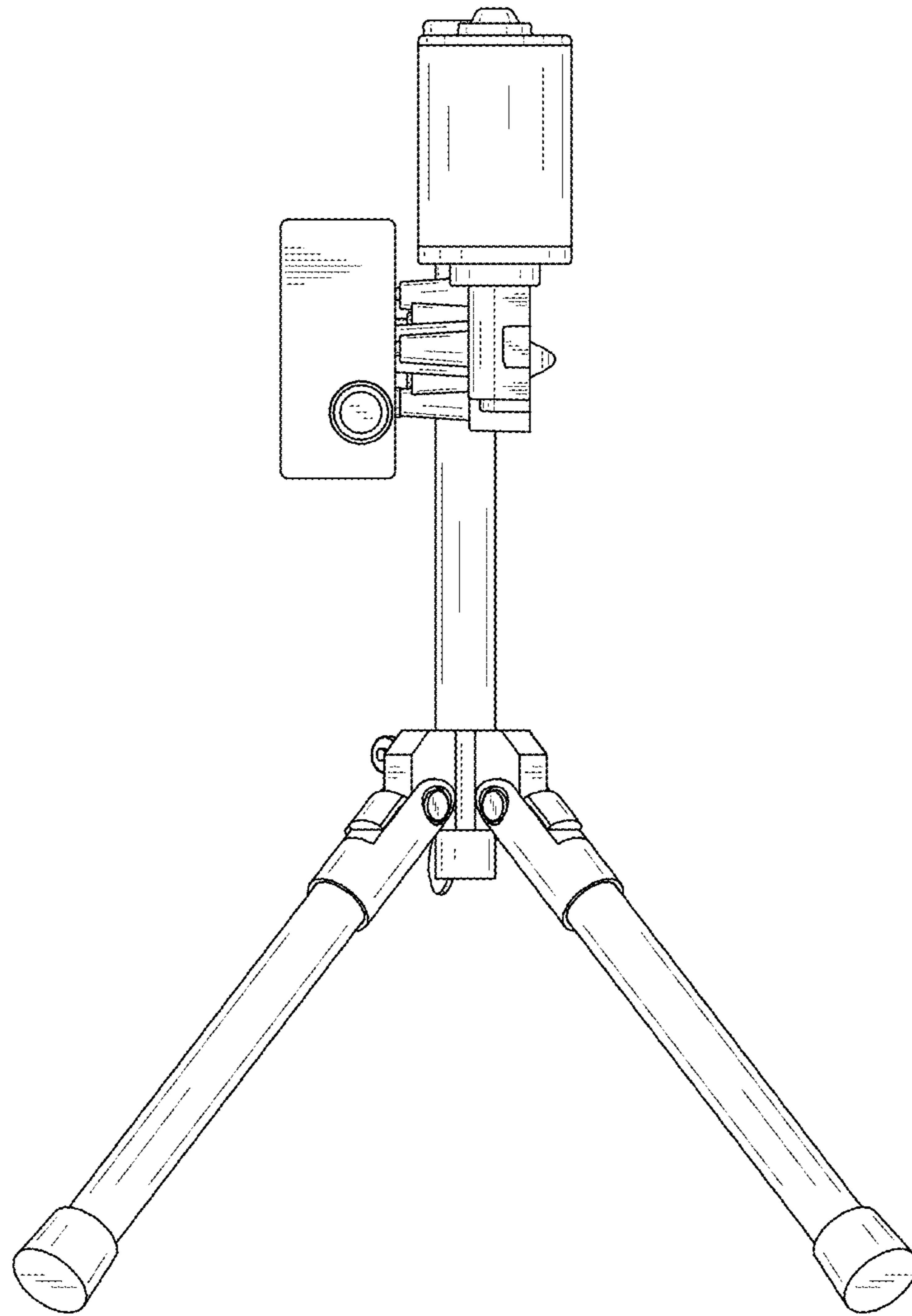


FIG.4

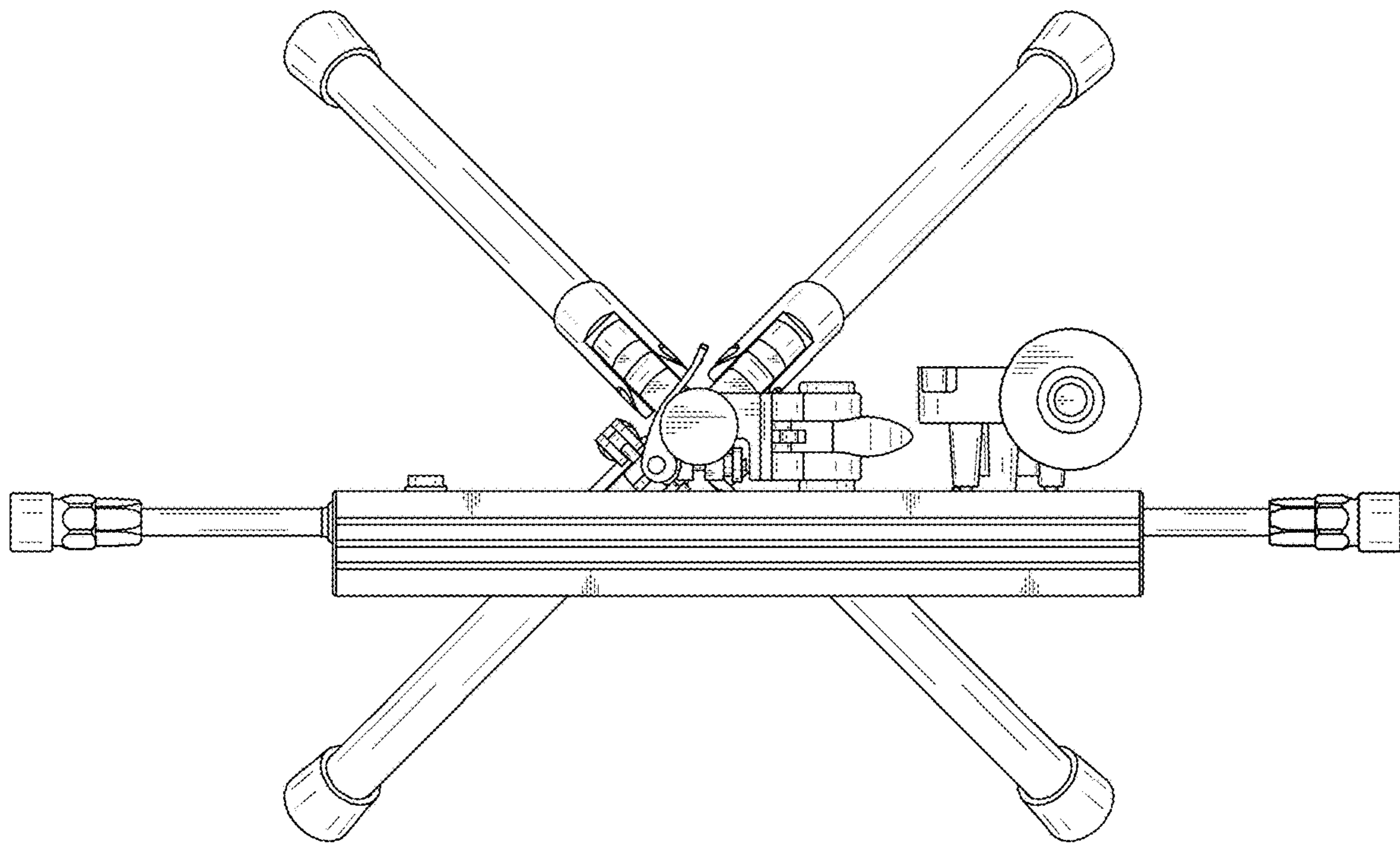


FIG.5

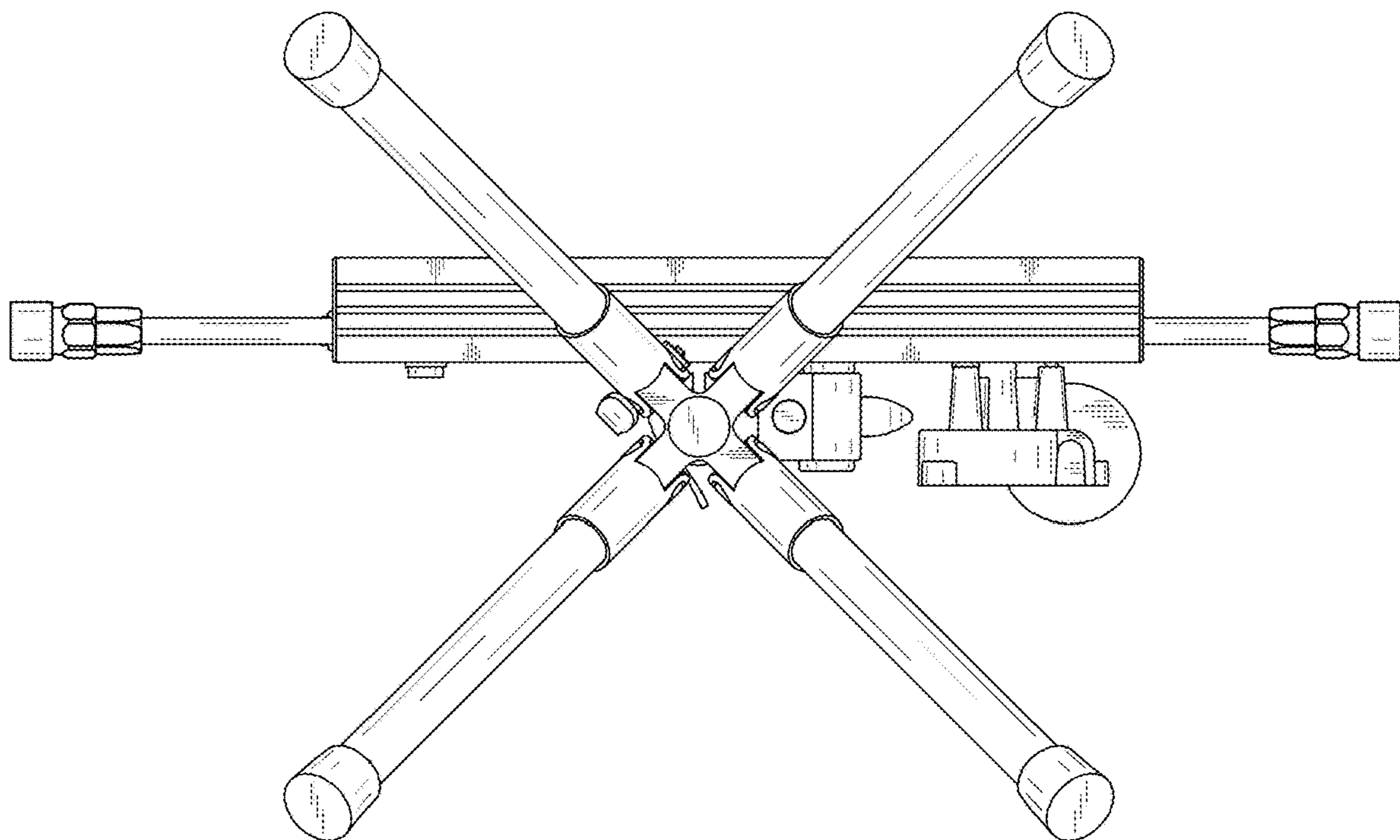


FIG.6

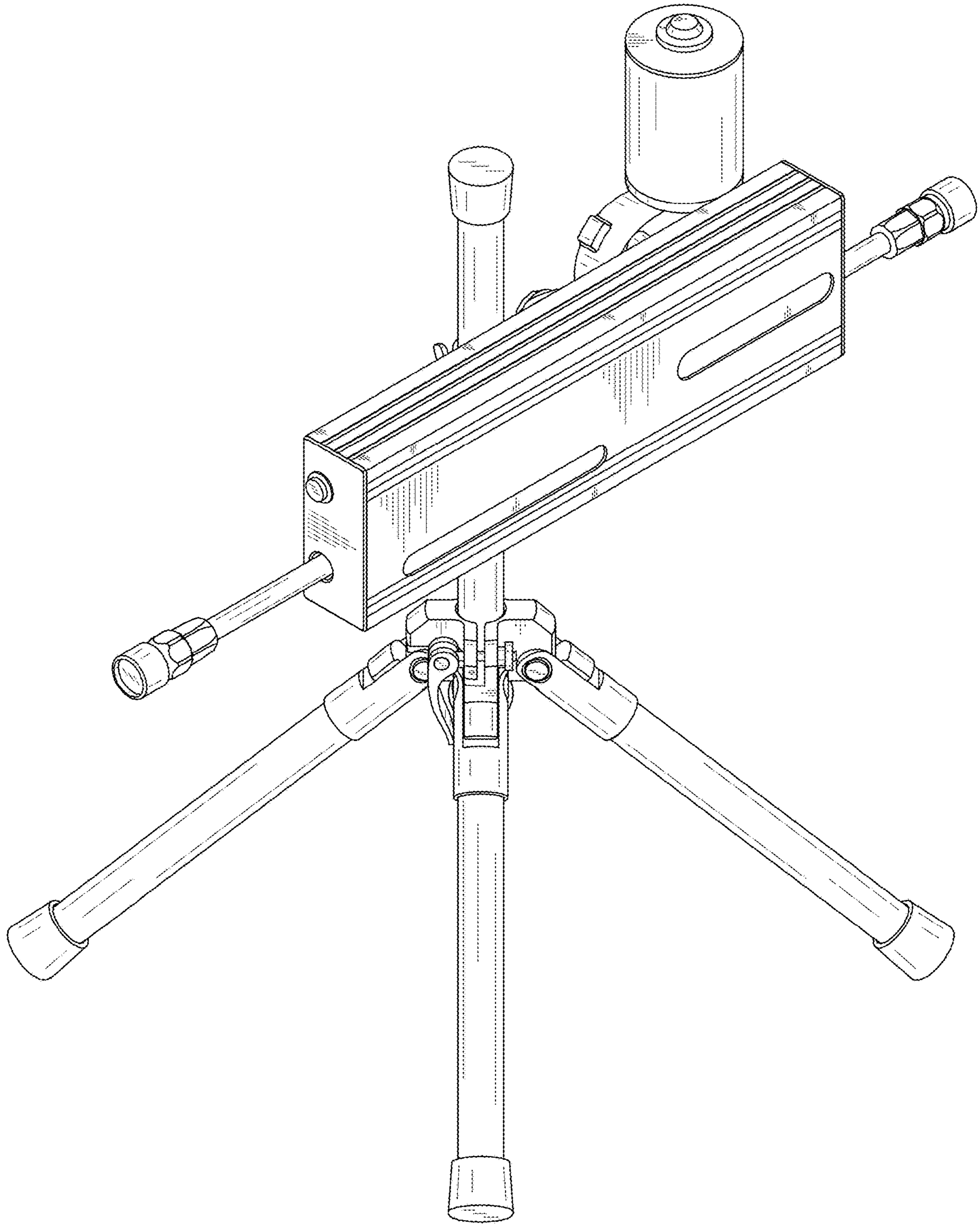


FIG.7

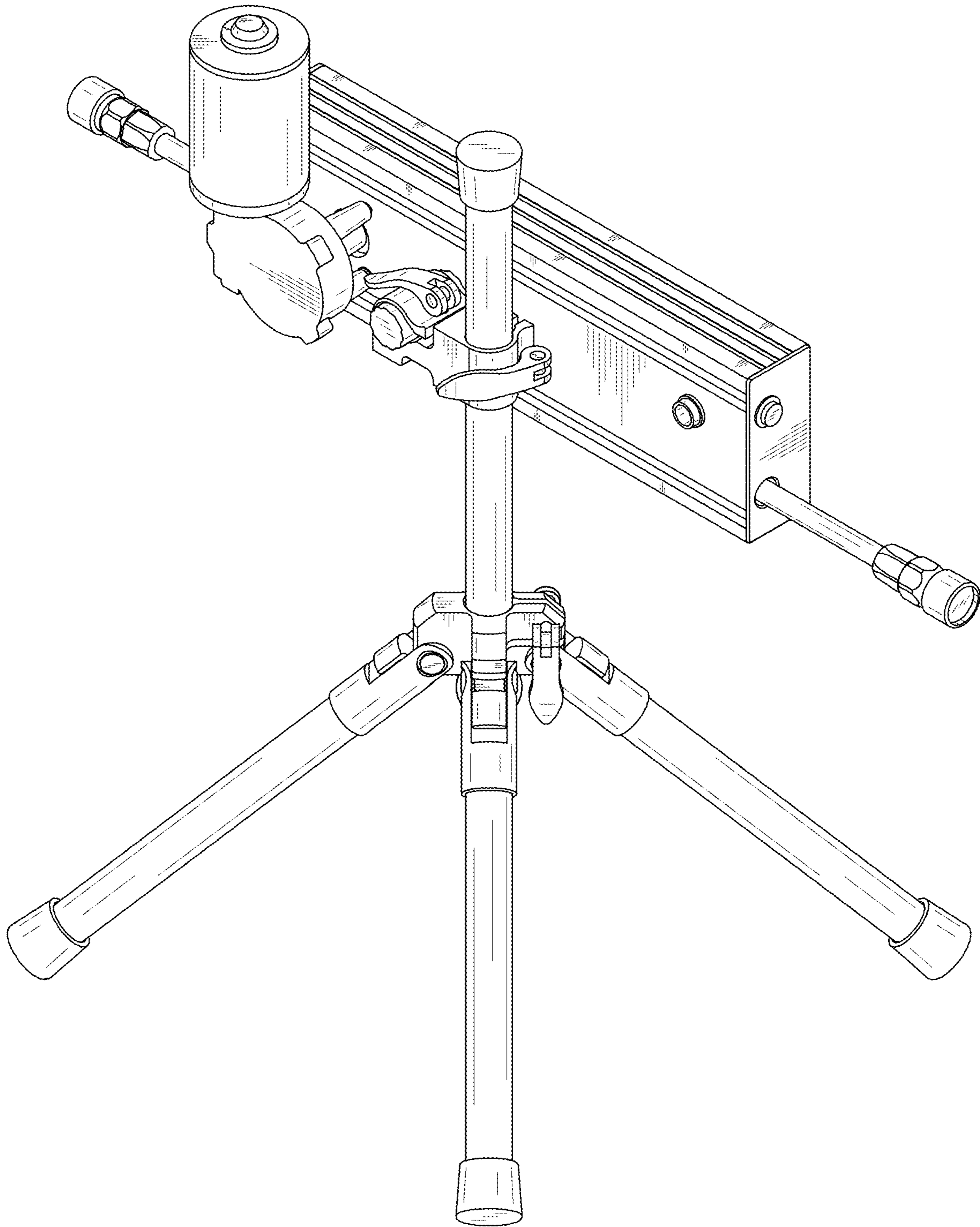


FIG.8

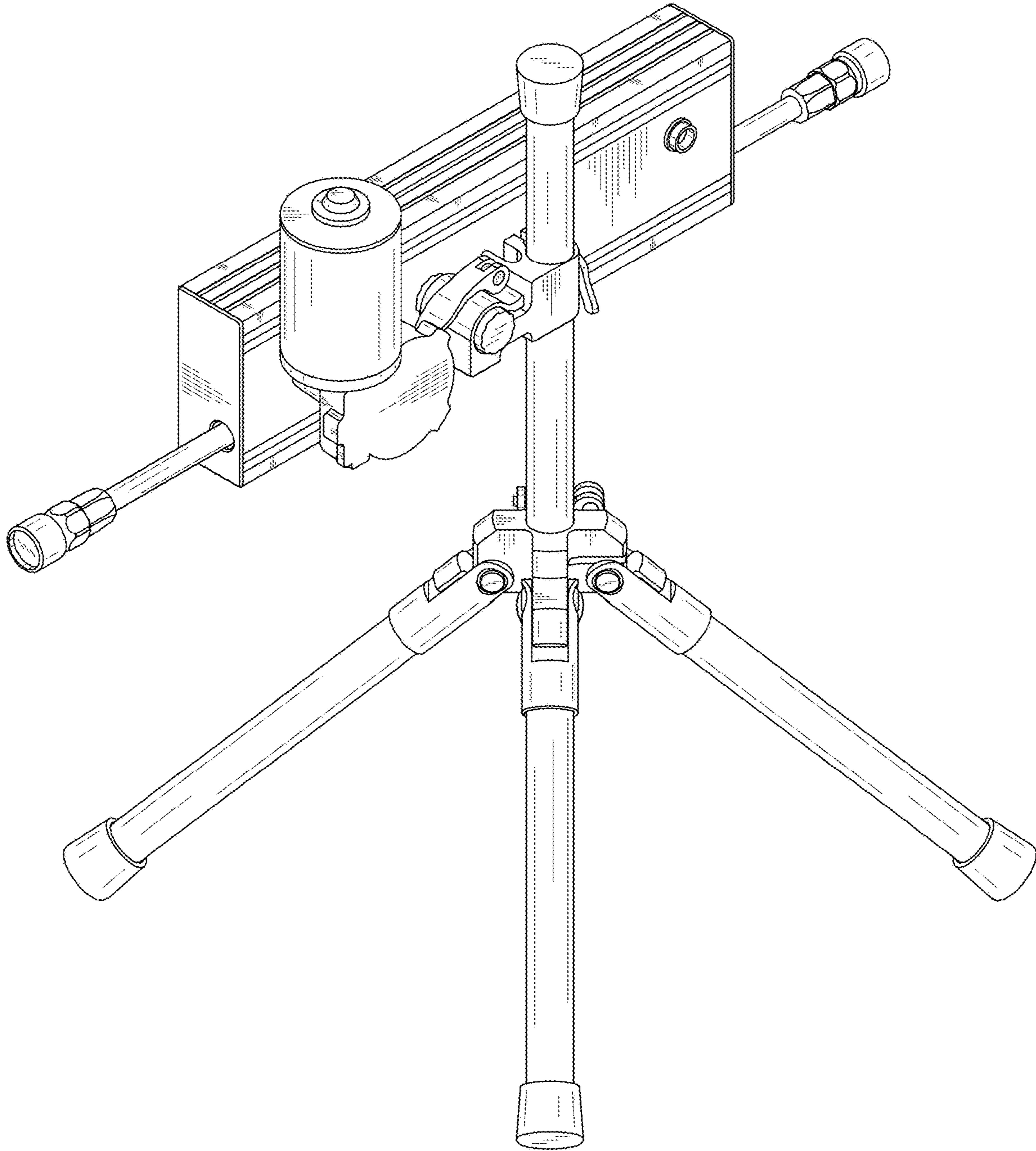


FIG.9

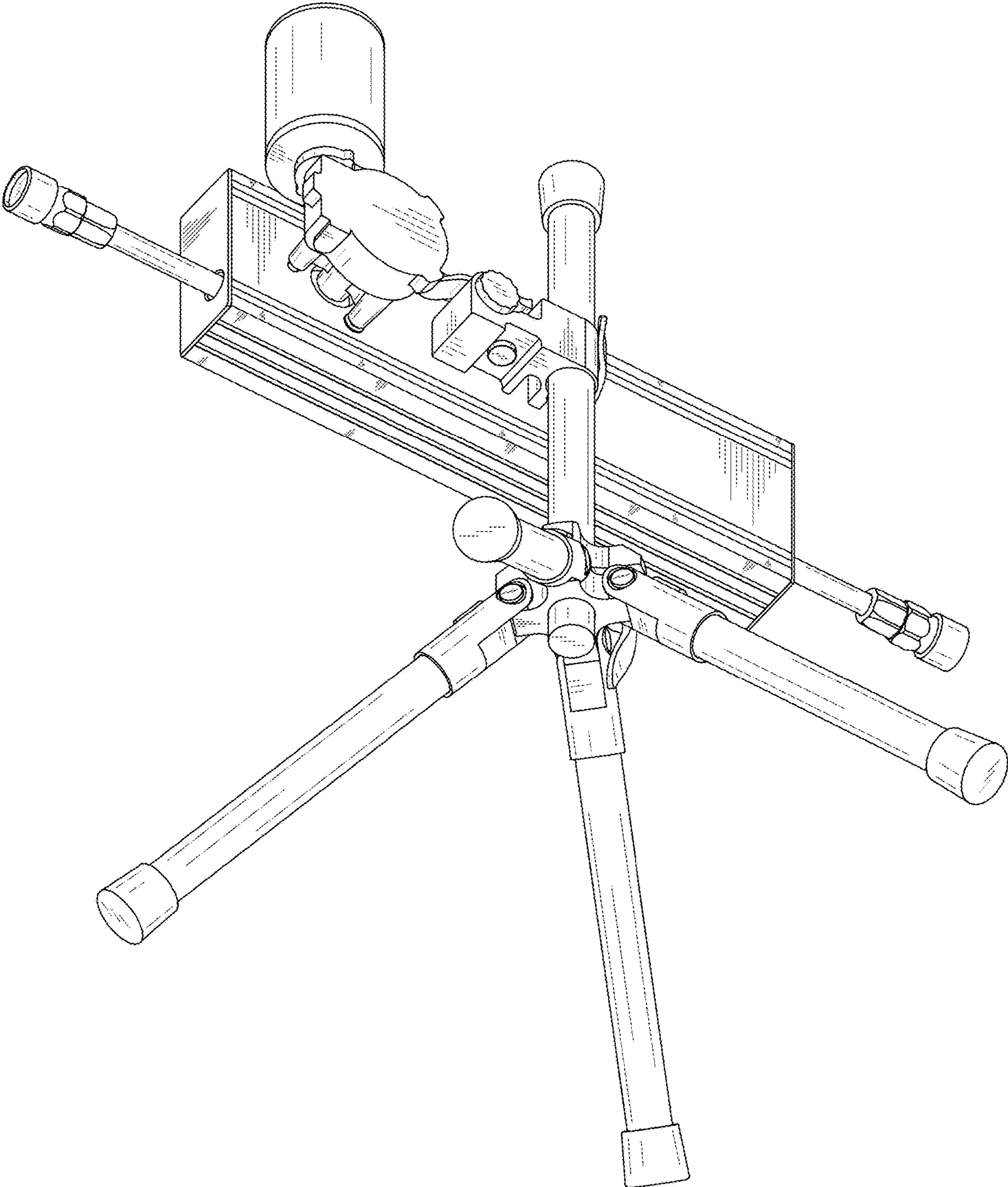


FIG.10