



US00D911542S

(12) **United States Design Patent**
Zhang

(10) **Patent No.:** **US D911,542 S**

(45) **Date of Patent:** **** Feb. 23, 2021**

(54) **CERVICAL MASSAGER**

(71) Applicant: **Shaowei Zhang**, Guangzhou (CN)

(72) Inventor: **Shaowei Zhang**, Guangzhou (CN)

(**) Term: **15 Years**

(21) Appl. No.: **29/696,192**

(22) Filed: **Jun. 26, 2019**

(51) **LOC (13) Cl.** **28-03**

(52) **U.S. Cl.**

USPC **D24/215**

(58) **Field of Classification Search**

USPC D24/191, 200, 211, 214, 215; D6/601

CPC A61H 2205/04; A61H 2205/062; A61H

2201/1614; A63B 23/12

See application file for complete search history.

(56) **References Cited**

U.S. PATENT DOCUMENTS

D293,373 S *	12/1987	Beck	D16/312
D341,893 S *	11/1993	Tauber	D24/191
D582,045 S *	12/2008	James	D24/191
D609,818 S *	2/2010	Tsang	D24/215
D670,396 S *	11/2012	Doogan	D24/200
D693,016 S *	11/2013	Ma	D24/215
D739,543 S *	9/2015	Ma	D24/215
D769,453 S *	10/2016	Ma	D24/215
D810,312 S *	2/2018	Cascini	D24/200
D816,858 S *	5/2018	Gan	D24/215
D817,508 S *	5/2018	Gan	D24/215
D818,596 S *	5/2018	Zheng	D24/200
D847,361 S *	4/2019	Lee	D24/215
D851,272 S *	6/2019	Huang	D24/215
D852,974 S *	7/2019	Lee	D24/215
D853,577 S *	7/2019	Li	D24/215
D884,913 S *	5/2020	Peng	D24/215
D886,495 S *	6/2020	Wong	D6/601
D887,019 S *	6/2020	Wang	D24/215
D888,263 S *	6/2020	Du	D24/215
D889,165 S *	7/2020	Chen	D6/601

2013/0184621 A1* 7/2013 Ma A61H 7/004

601/134

2014/0188019 A1* 7/2014 Ma A61H 7/007

601/112

2015/0272814 A1* 10/2015 Chen A61H 15/0085

601/97

(Continued)

OTHER PUBLICATIONS

Amazon, "Neck Massager", Aug. 5, 2020. [*Primary Examiner* — Cynthia Ramirez](https://www.amazon.com/dp/B08D6FJGM1/ref=sspa_dk_detail_3?psc=1&pd_rd_i=B08D6FJGM1&pd_rd_w=cn2k7&pf_rd_p=48d372c1-f7e1-4b8b-9d02-4bd86f5158c5&pd_rd_wg=dZjp3&pf_rd_r=ZXAM6EG6HXFTZS97A2N3&pd_rd_r=aab512f3-f90f-40be-bdbd-eb16a1d9b867&spLa=ZW5jcnlwdGVkUX. p. 1. (Year: 2020).*</p></div>
<div data-bbox=)

Assistant Examiner — Michael A Maharajh

(74) *Attorney, Agent, or Firm* — Rumit Ranjit Kanakia

(57)

CLAIM

I claim the ornamental design for a cervical massager, as shown and described.

DESCRIPTION

FIG. 1 is a perspective view of a cervical massager showing my new design;

FIG. 2 is a front view of the cervical massager as shown in FIG. 1;

FIG. 3 is a back view of the cervical massager as shown in FIG. 1;

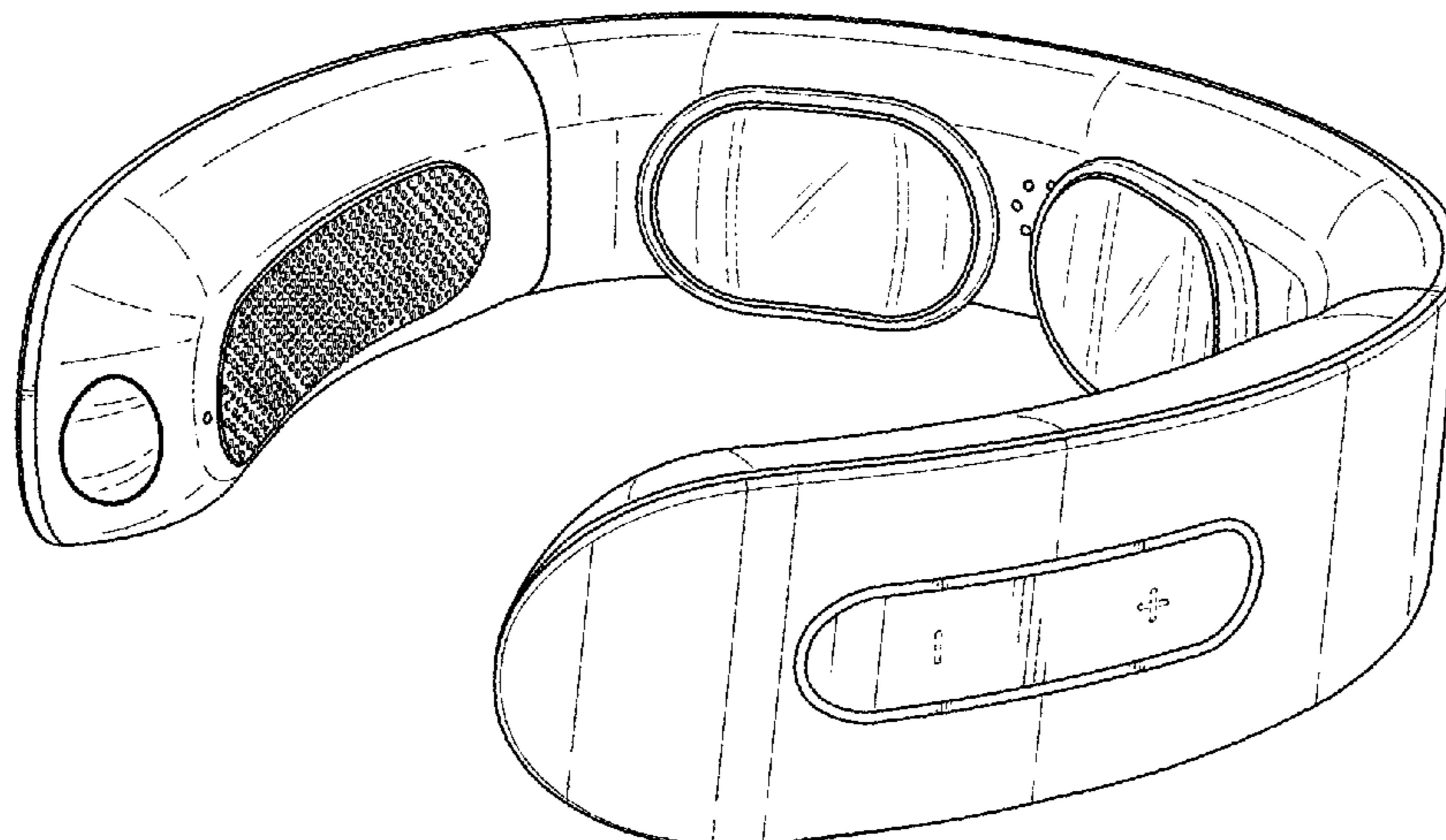
FIG. 4 is a left-side view of the cervical massager as shown in FIG. 1;

FIG. 5 is a right-side view of the cervical massager as shown in FIG. 1;

FIG. 6 is a top view of the cervical massager as shown in FIG. 1; and,

FIG. 7 is a bottom view of the cervical massager as shown in FIG. 1.

(Continued)



The broken lines in the drawings are for the purposes of illustrating portions of the cervical massager, which form no part of the claimed design.

1 Claim, 5 Drawing Sheets

(56) **References Cited**

U.S. PATENT DOCUMENTS

2020/0206493 A1* 7/2020 Liu A61N 1/32

* cited by examiner

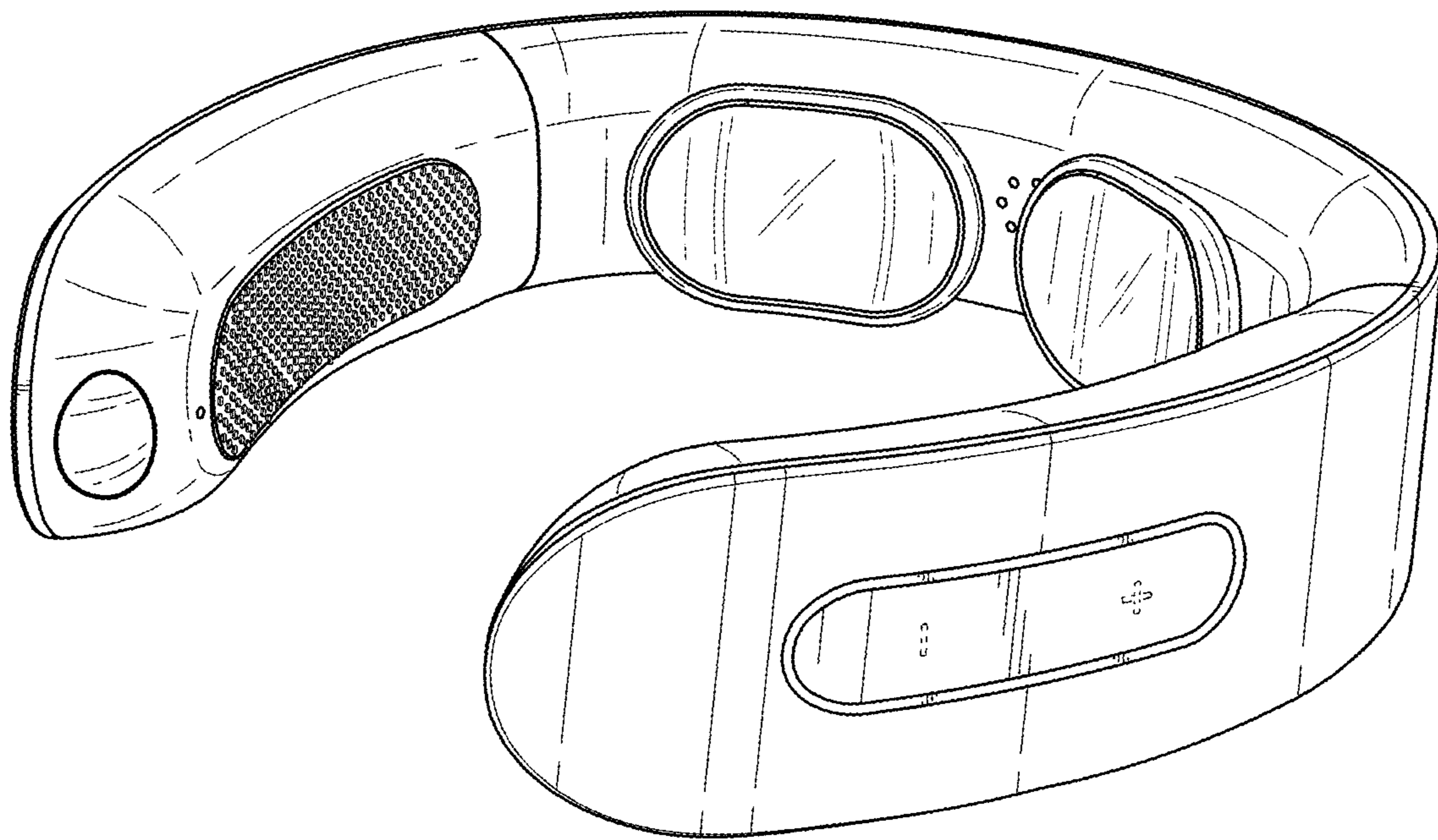


FIG. 1

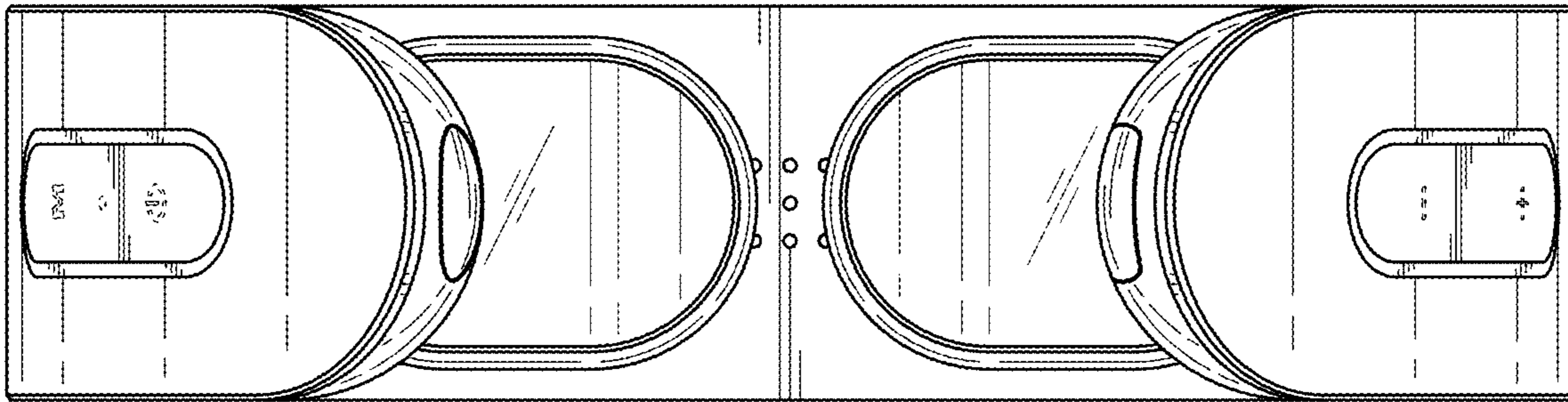


FIG. 2

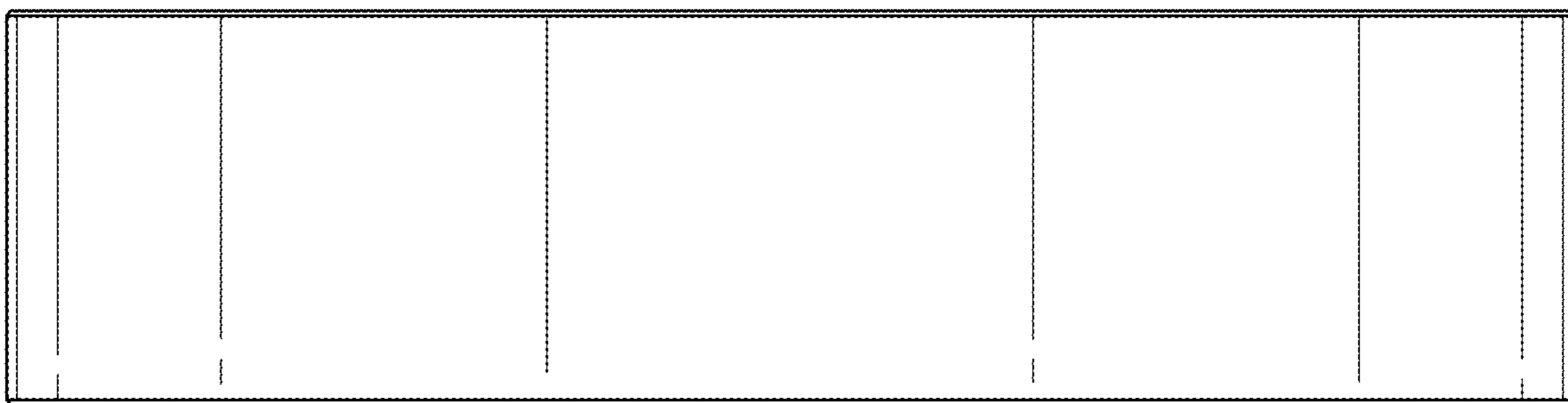


FIG. 3

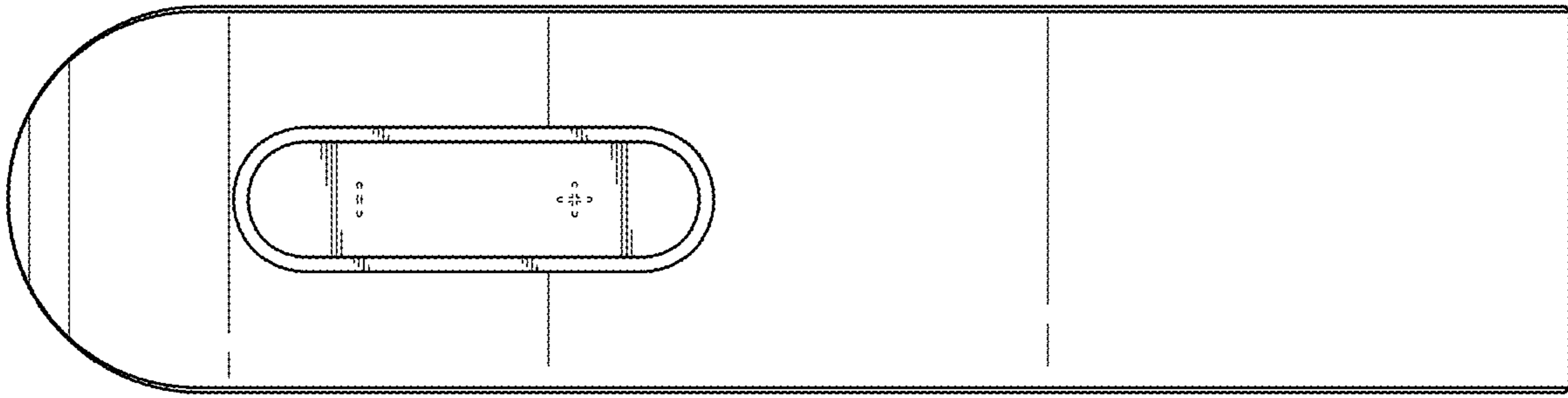


FIG. 4

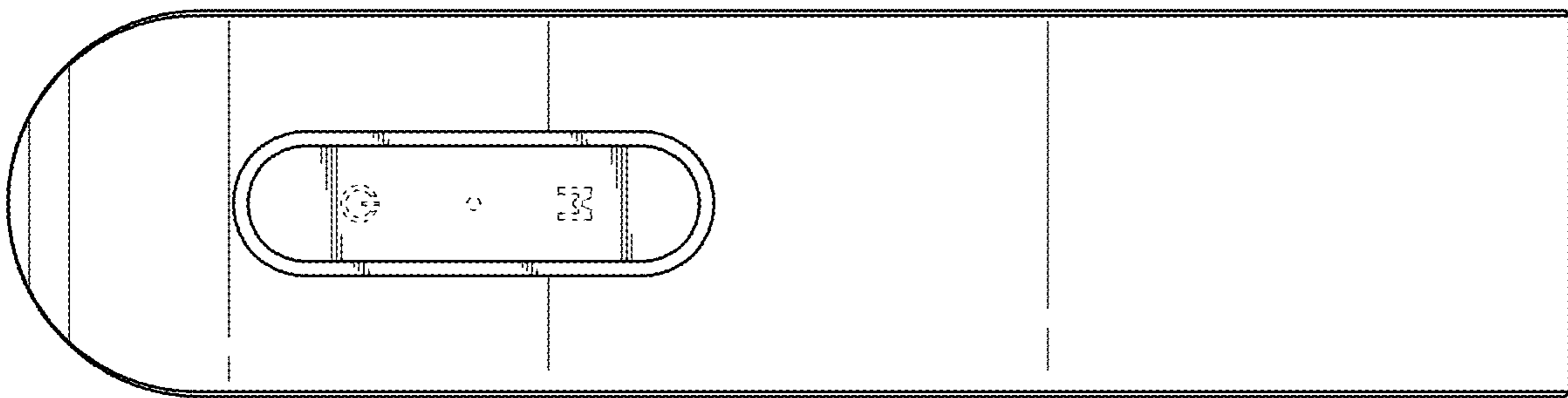


FIG. 5

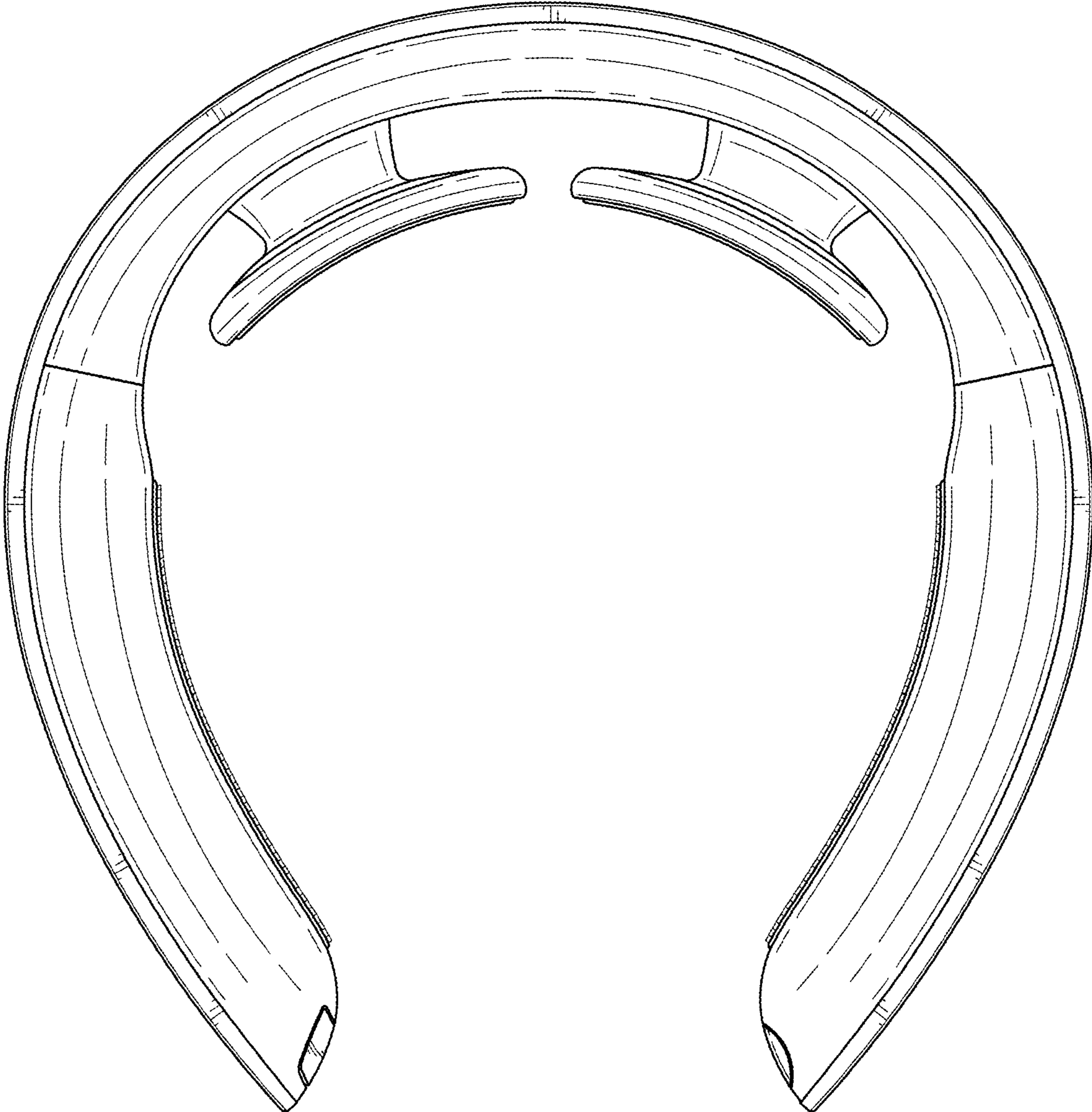


FIG. 6

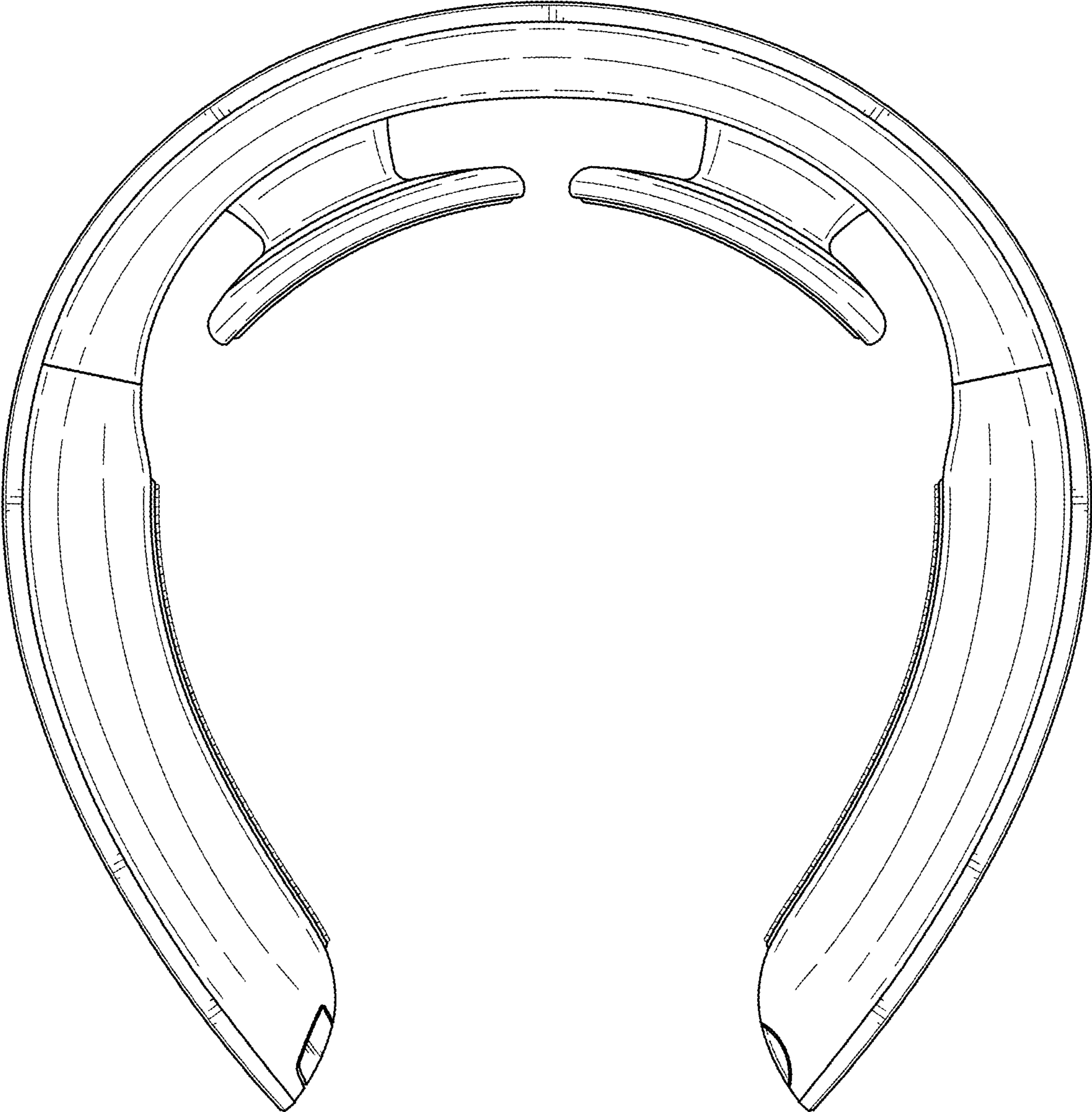


FIG. 7