



US00D911535S

(12) **United States Design Patent** (10) **Patent No.:** **US D911,535 S**  
**Yu** (45) **Date of Patent:** **\*\* Feb. 23, 2021**

(54) **MESSAGE DEVICE**

(71) Applicant: **Shengguo Yu**, Dongguan (CN)

(72) Inventor: **Shengguo Yu**, Dongguan (CN)

(\*\*) Term: **15 Years**

(21) Appl. No.: **29/745,157**

(22) Filed: **Aug. 4, 2020**

(51) **LOC (13) Cl.** ..... **28-03**

(52) **U.S. Cl.**  
USPC ..... **D24/200**; D24/214

(58) **Field of Classification Search**  
USPC ..... D24/200, 211, 212, 213, 214, 215;  
D8/14.1

CPC ..... A61H 1/00; A61H 23/006; A61H 39/04;  
A61H 23/00

See application file for complete search history.

(56) **References Cited**

**U.S. PATENT DOCUMENTS**

D289,968 S *	5/1987	Somers	.....	D8/14.1
D553,252 S *	10/2007	Masuda	.....	D24/214
D847,364 S *	4/2019	Lee	.....	D24/215
10,314,762 B1 *	6/2019	Marton	.....	A61H 23/004
D855,822 S	8/2019	Marton et al.		
D866,790 S *	11/2019	Lee	.....	D24/215
D872,869 S *	1/2020	Lu	.....	D24/215
D873,432 S	1/2020	Duan		
D874,015 S	1/2020	Marton et al.		
D886,317 S	1/2020	Marton et al.		
D875,961 S	2/2020	Li		
D879,985 S *	3/2020	Wersland	.....	D24/214
D879,986 S *	3/2020	Wersland	.....	D24/214
D880,714 S *	4/2020	Wersland	.....	D24/215
D880,715 S *	4/2020	Wersland	.....	D24/215
D880,716 S *	4/2020	Wersland	.....	D24/215
D884,205 S	5/2020	Zhuang		
D884,207 S	5/2020	Ma		
D884,915 S *	5/2020	Wersland	.....	D24/215
D885,601 S *	5/2020	Wersland	.....	D24/215
D887,573 S *	6/2020	Wersland	.....	D24/215

D893,738 S *	8/2020	Zhuang	.....	D24/215
D895,132 S *	9/2020	Hu	.....	D24/215
D895,133 S *	9/2020	Xu	.....	D24/215
D895,135 S *	9/2020	Xu	.....	D24/215
D895,829 S *	9/2020	Hu	.....	D24/215
D895,831 S *	9/2020	Chen	.....	D24/215
D896,396 S *	9/2020	Wersland	.....	D24/215
D898,209 S *	10/2020	Xu	.....	D24/214
D898,933 S *	10/2020	Xu	.....	D24/215
D899,620 S *	10/2020	Huang	.....	D24/215

(Continued)

**OTHER PUBLICATIONS**

Alibaba, "Portable Deep Relaxation\_Massage Gun", Nov. 12, 2020.  
[https://www.alibaba.com/product-detail/24V-Portable-Deep-Relaxation-Vibration-Electric\\_1600097410756.html?spm=a2700.wholesale.deiletai6.5.516d207cm7RjeE](https://www.alibaba.com/product-detail/24V-Portable-Deep-Relaxation-Vibration-Electric_1600097410756.html?spm=a2700.wholesale.deiletai6.5.516d207cm7RjeE). Shown on p. 1. (Year: 2020).\*

*Primary Examiner* — Cynthia Ramirez

*Assistant Examiner* — Michael A Maharajh

(74) *Attorney, Agent, or Firm* — Rumit Ranjit Kanakia

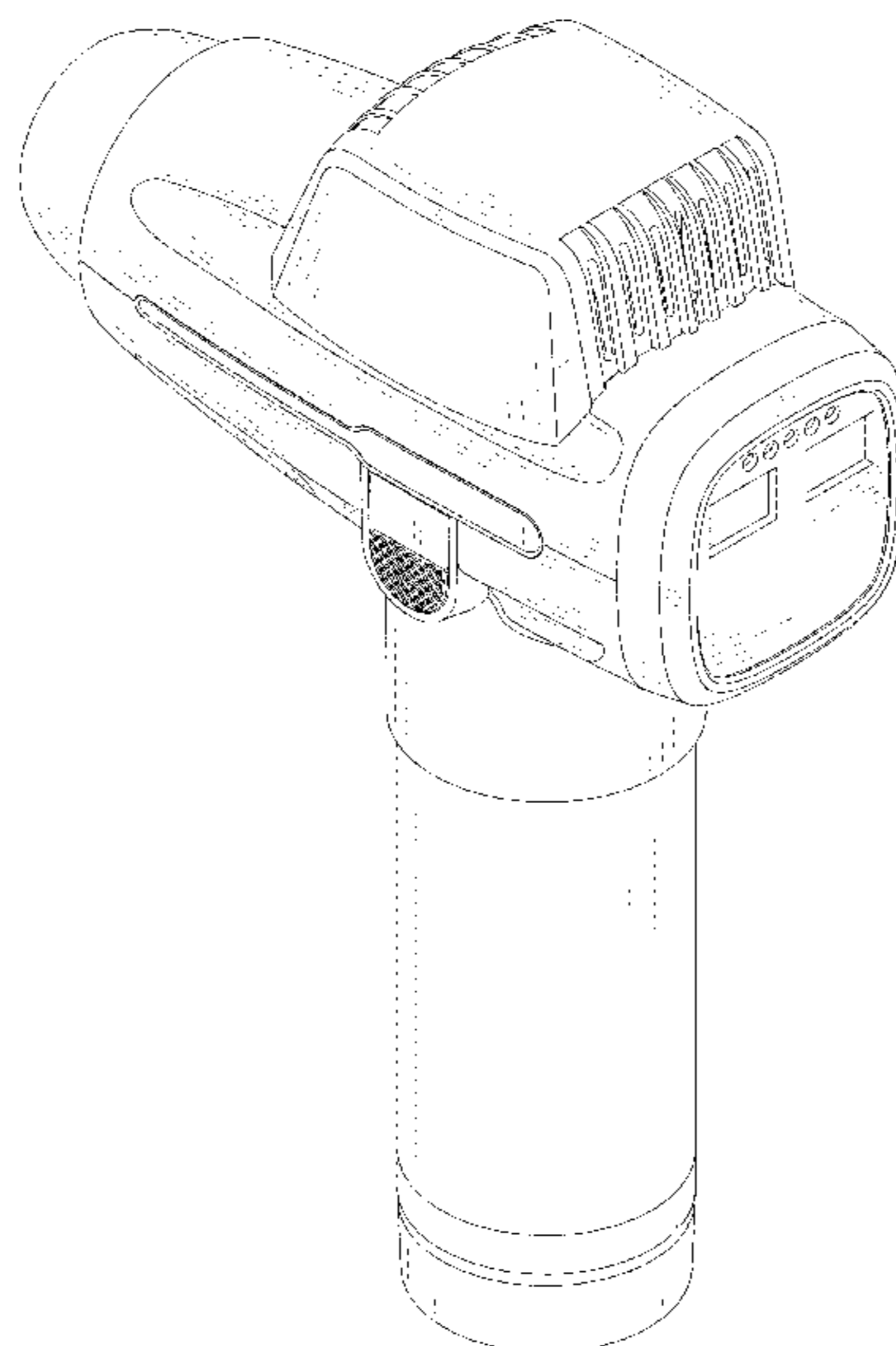
(57) **CLAIM**

The ornamental design for a massage device, as shown and described.

**DESCRIPTION**

FIG. 1 is a perspective view thereof of a massage device showing my new design;  
FIG. 2 is another perspective view thereof;  
FIG. 3 is a front elevational view thereof;  
FIG. 4 is a rear elevational view thereof;  
FIG. 5 is a left side view thereof;  
FIG. 6 is a right side view thereof;  
FIG. 7 is a top plan view thereof; and,  
FIG. 8 is a bottom plan view thereof.  
The broken lines in the figures are for the purposes of illustrating portions of the massage device, which forms no part of the claimed design.

**1 Claim, 8 Drawing Sheets**



(56)

**References Cited**

U.S. PATENT DOCUMENTS

2018/0200141 A1\* 7/2018 Wersland ..... A61H 23/0254  
2019/0254921 A1\* 8/2019 Marton ..... A61H 23/006  
2020/0069510 A1\* 3/2020 Wersland ..... A61H 15/0085  
2020/0085675 A1\* 3/2020 Lee ..... A61H 1/00  
2020/0214930 A1\* 7/2020 Wersland ..... A61H 1/00  
2020/0261307 A1\* 8/2020 Wersland ..... A61H 1/00  
2020/0268594 A1\* 8/2020 Pepe ..... A61H 23/0254  
2020/0343746 A1\* 10/2020 Solana ..... H02J 7/0044

\* cited by examiner

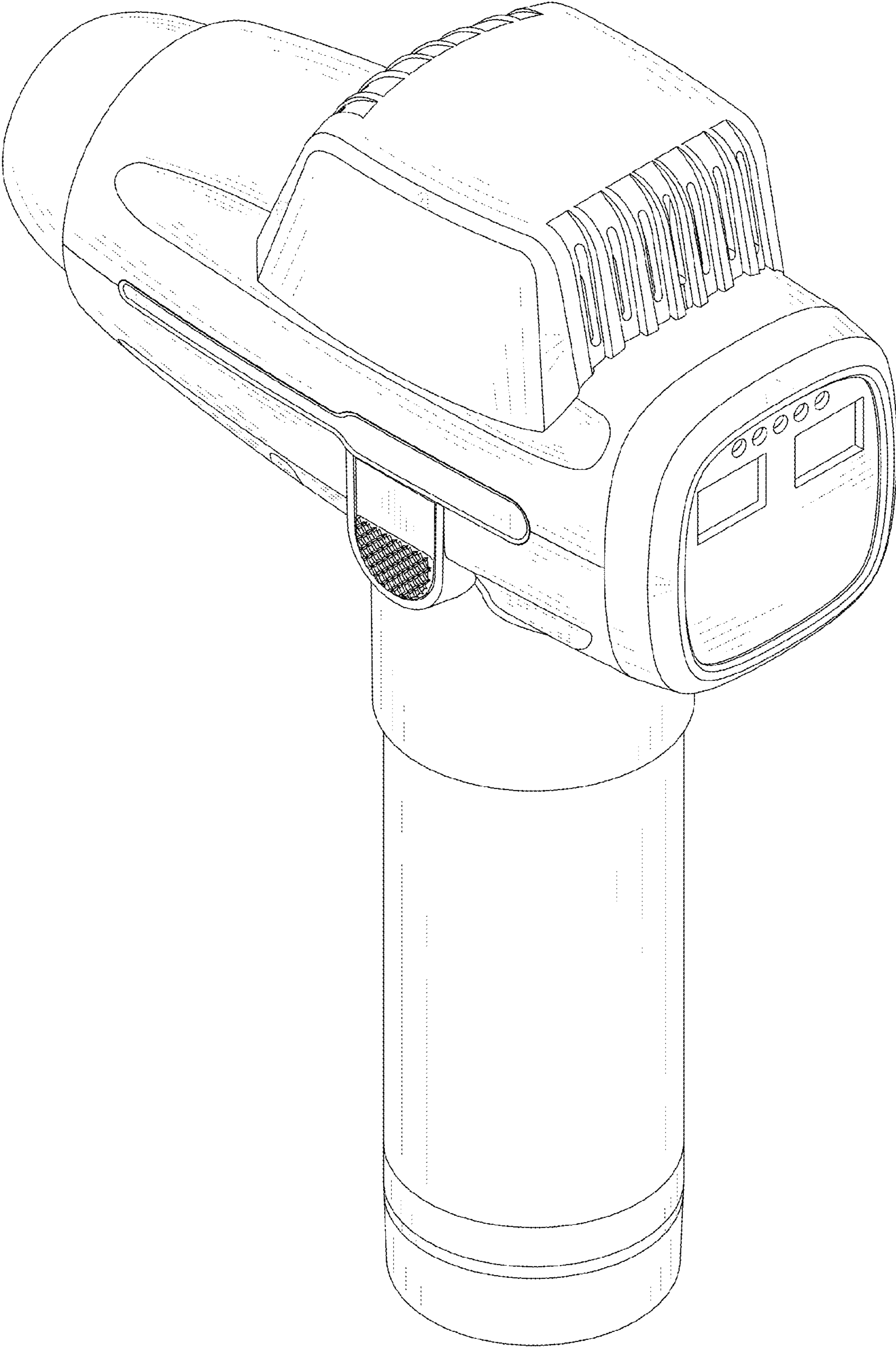


FIG. 1

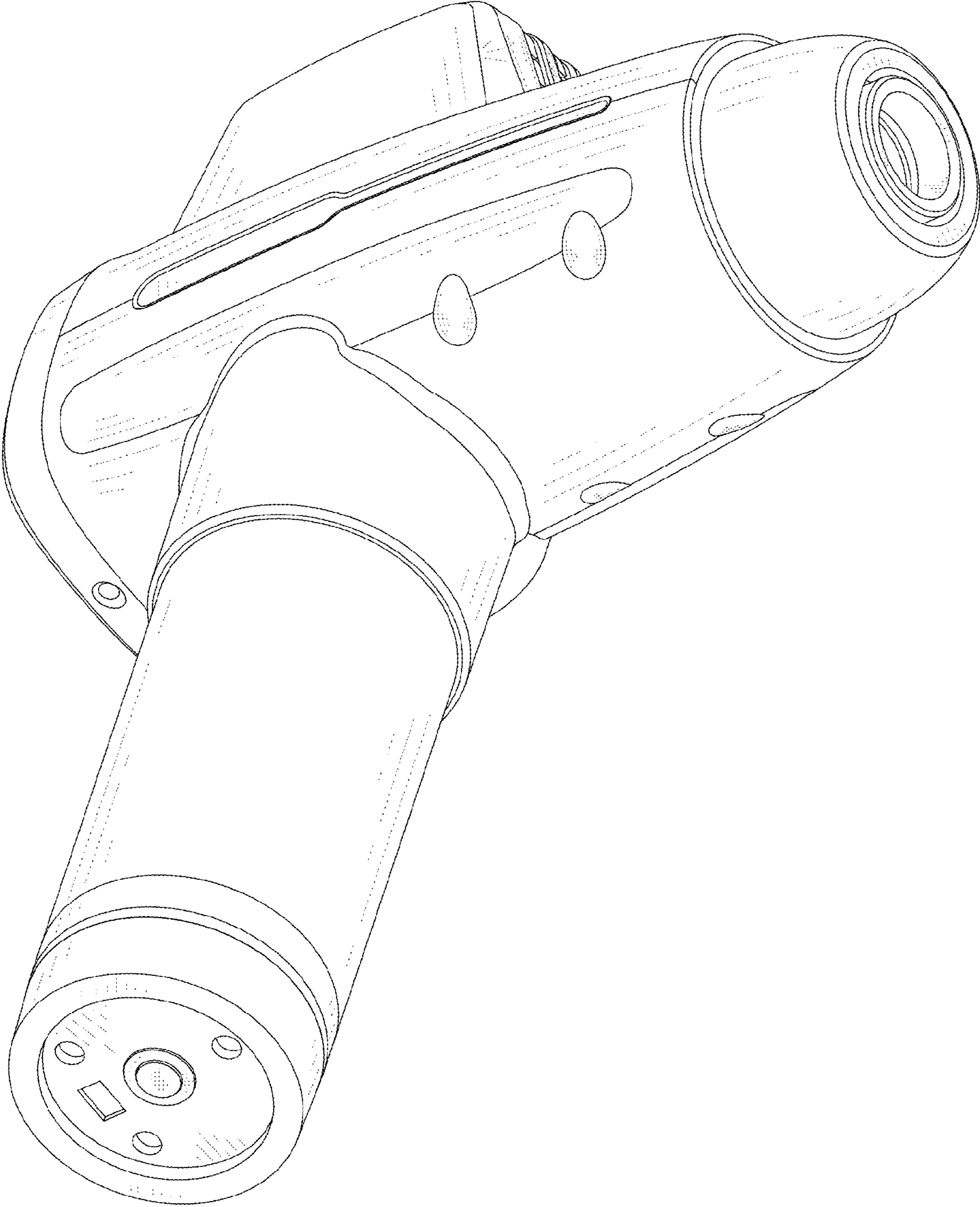


FIG. 2

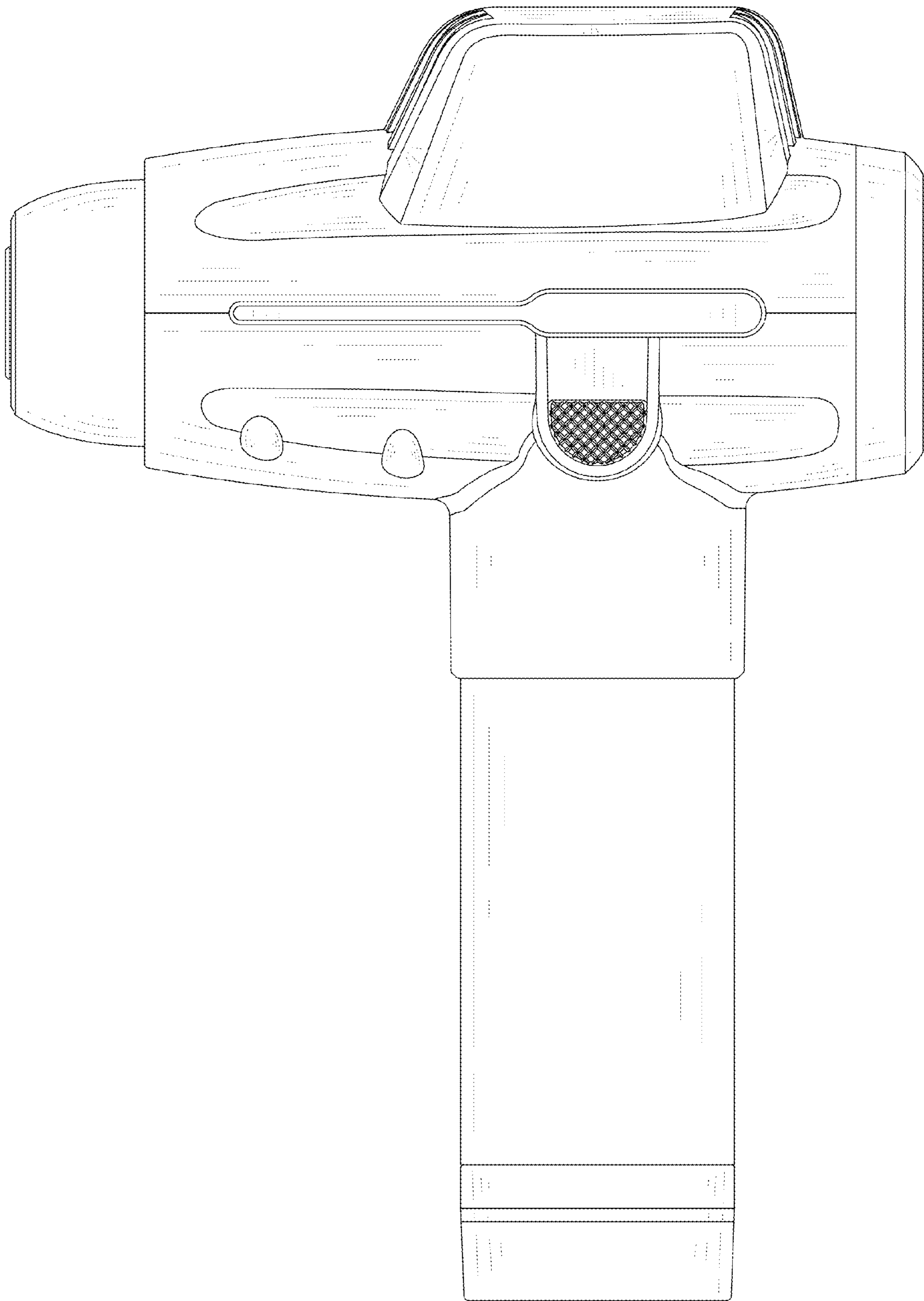


FIG. 3

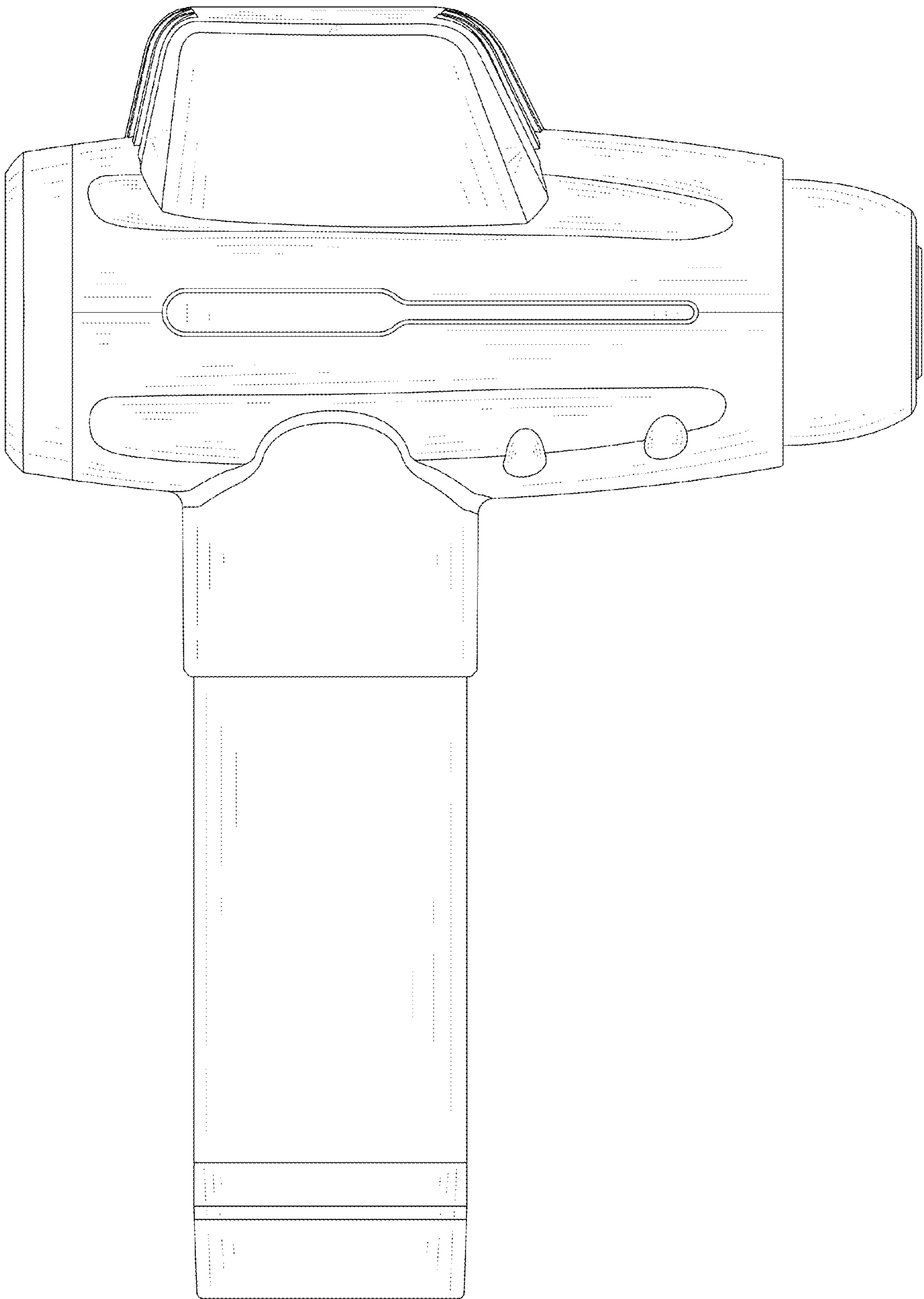


FIG.4

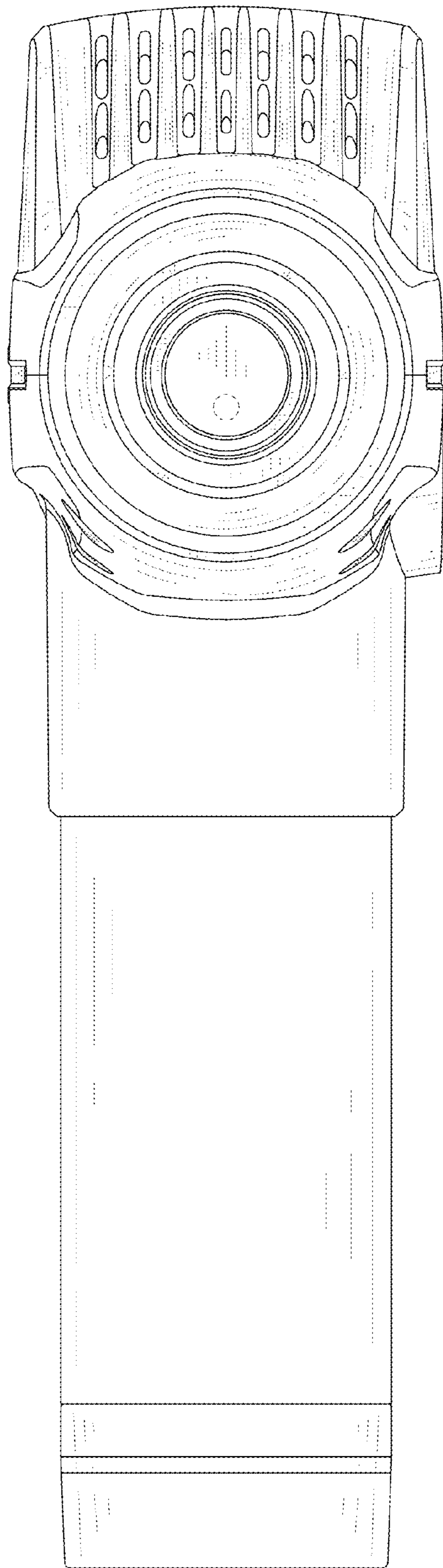


FIG. 5

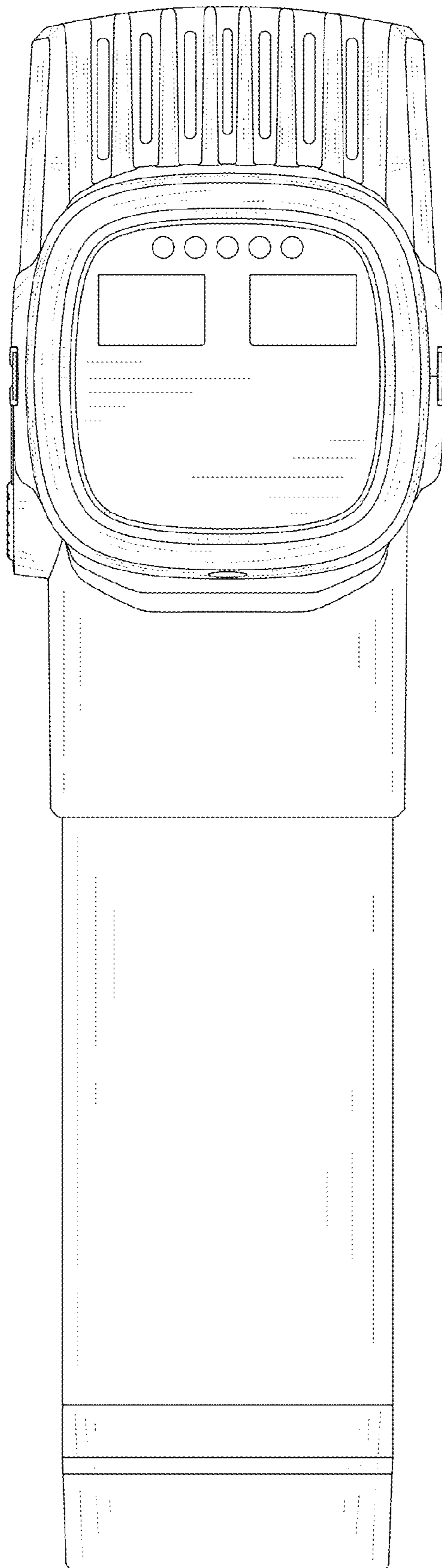


FIG. 6



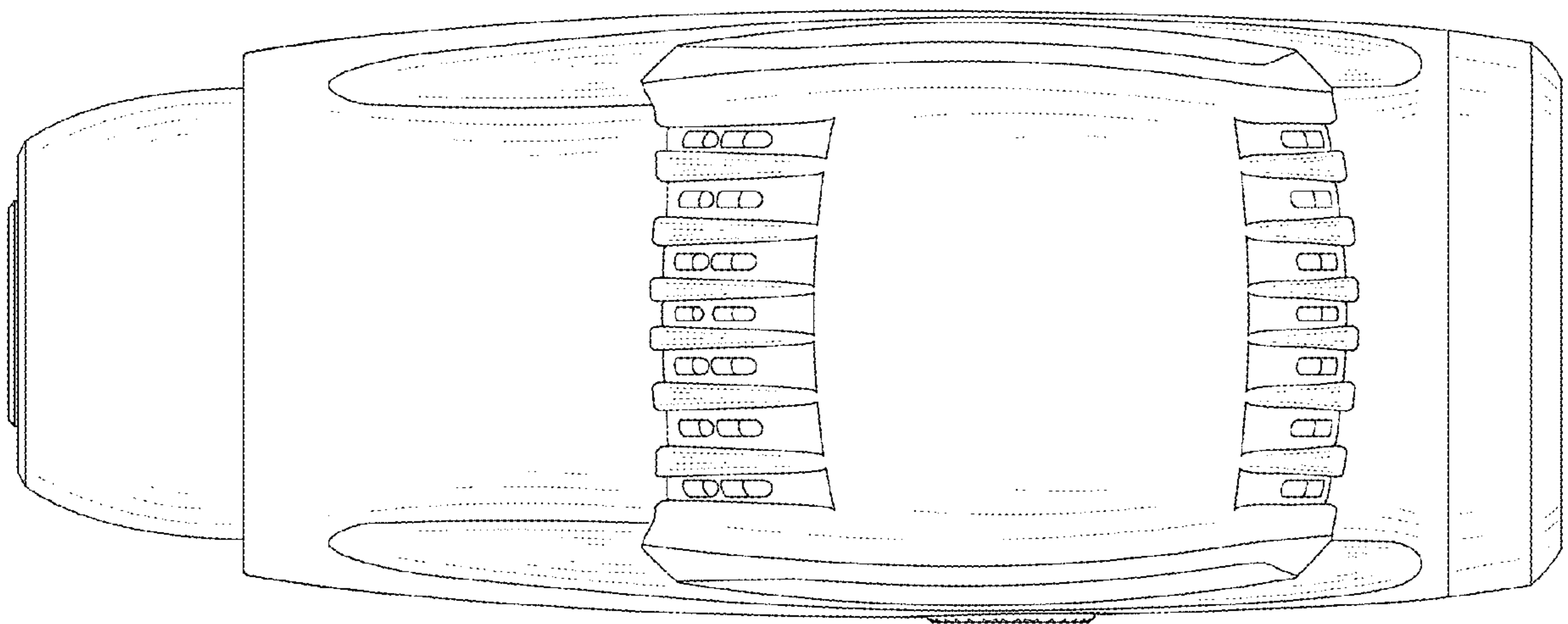


FIG. 7

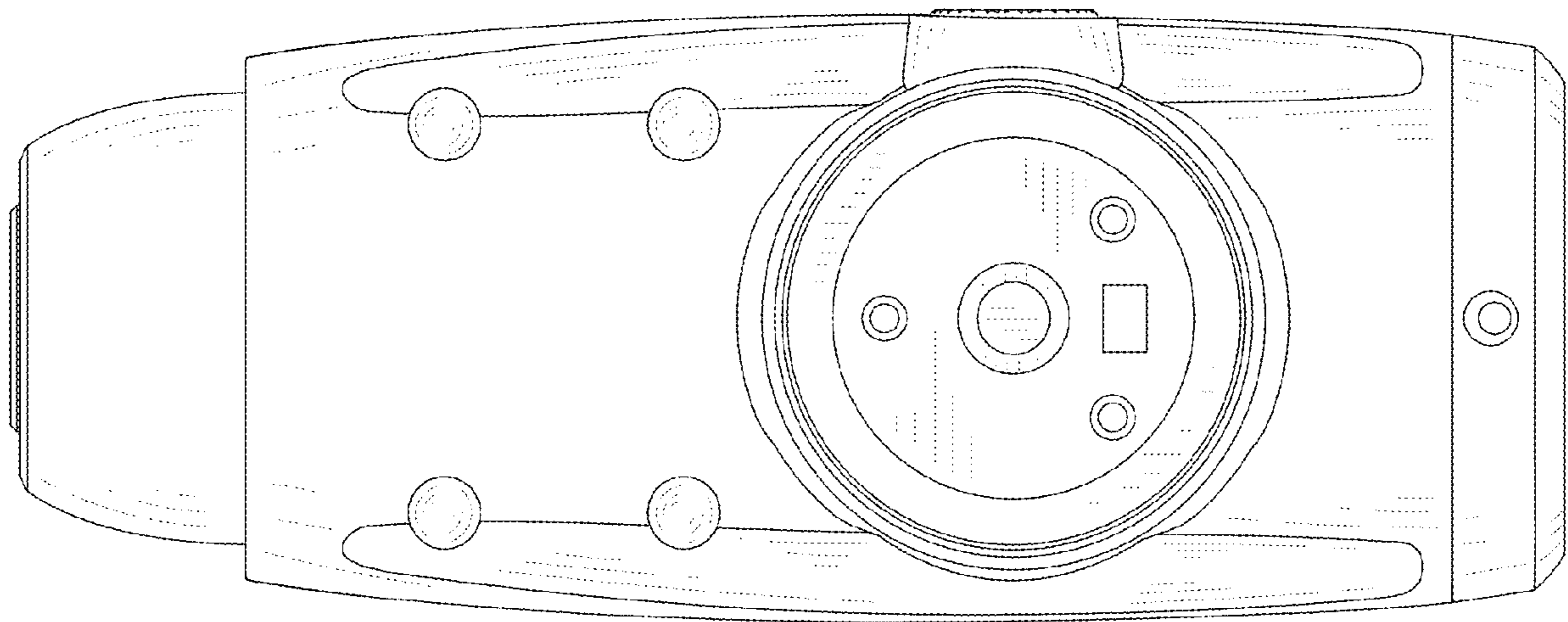


FIG. 8