



US00D911534S

(12) **United States Design Patent**  
**Cannon et al.**

(10) **Patent No.:** **US D911,534 S**

(45) **Date of Patent:** **\*\* Feb. 23, 2021**

(54) **BOTTLE WITH SLEEVE**

D547,875 S 7/2007 Pillado  
D599,481 S 9/2009 Drummond  
D604,042 S \* 11/2009 Lown ..... D3/229  
(Continued)

(71) Applicant: **i play. inc.**, Asheville, NC (US)

(72) Inventors: **Becky B. Cannon**, Asheville, NC (US);  
**Emi Kubota**, Asheville, NC (US)

(73) Assignee: **GREEN SPROUTS, INC.**, Asheville,  
NC (US)

(\*\*) Term: **15 Years**

(21) Appl. No.: **29/680,575**

(22) Filed: **Feb. 18, 2019**

(51) **LOC (13) Cl.** ..... **07-01**

(52) **U.S. Cl.**  
USPC ..... **D24/197**

(58) **Field of Classification Search**  
USPC ..... D24/193, 194, 195, 196, 197, 198, 199;  
D7/392, 510, 511, 619.1; D9/516, 530,  
D9/719, 761; D3/316, 229  
CPC ..... A61J 9/00; A61J 9/0623; A61J 9/06  
See application file for complete search history.

(56) **References Cited**

**U.S. PATENT DOCUMENTS**

1,690,509	A	11/1928	Thoreson et al.	
2,706,571	A	4/1955	Ryan	
2,785,985	A	3/1957	Magill	
2,818,990	A	1/1958	Richard	
3,604,584	A	9/1971	Shank, Jr.	
3,698,586	A	10/1972	Terner	
4,067,949	A	1/1978	Karabedian	
4,420,578	A	12/1983	Hagens et al.	
4,821,896	A *	4/1989	Cheng	A61J 9/001 215/11.3
D413,983	S *	9/1999	Shaw	D24/199
6,073,788	A	6/2000	Stroud	
6,237,787	B1	5/2001	Gallo et al.	
D470,593	S *	2/2003	Iodice	D24/197
D511,836	S *	11/2005	Morano	D24/197
6,983,843	B2	1/2006	Geert et al.	
7,111,753	B2	9/2006	Scheetz et al.	

**FOREIGN PATENT DOCUMENTS**

AU	2008296191	B2	9/2013
CA	2697180		8/2014
DE	29718321	U1	2/1998

**OTHER PUBLICATIONS**

“Boon Nursh Silicone Pouch Bottle”. Found online Apr. 12, 2018 at amazon.ca. Reference dated Apr. 2, 2018. Retrieved from [https://www.amazon.ca/Boon-Nursh-Silicone-Pouch-Bottle/dp/B07BL7ZXW9/ref=sr\\_1\\_112?ie=UTF8&qid=1523552076&sr=8-112&keywords=boon.\\*](https://www.amazon.ca/Boon-Nursh-Silicone-Pouch-Bottle/dp/B07BL7ZXW9/ref=sr_1_112?ie=UTF8&qid=1523552076&sr=8-112&keywords=boon.*)

(Continued)

*Primary Examiner* — Kendra Leslie Hamilton  
(74) *Attorney, Agent, or Firm* — Luedeka Neely Group,  
PC

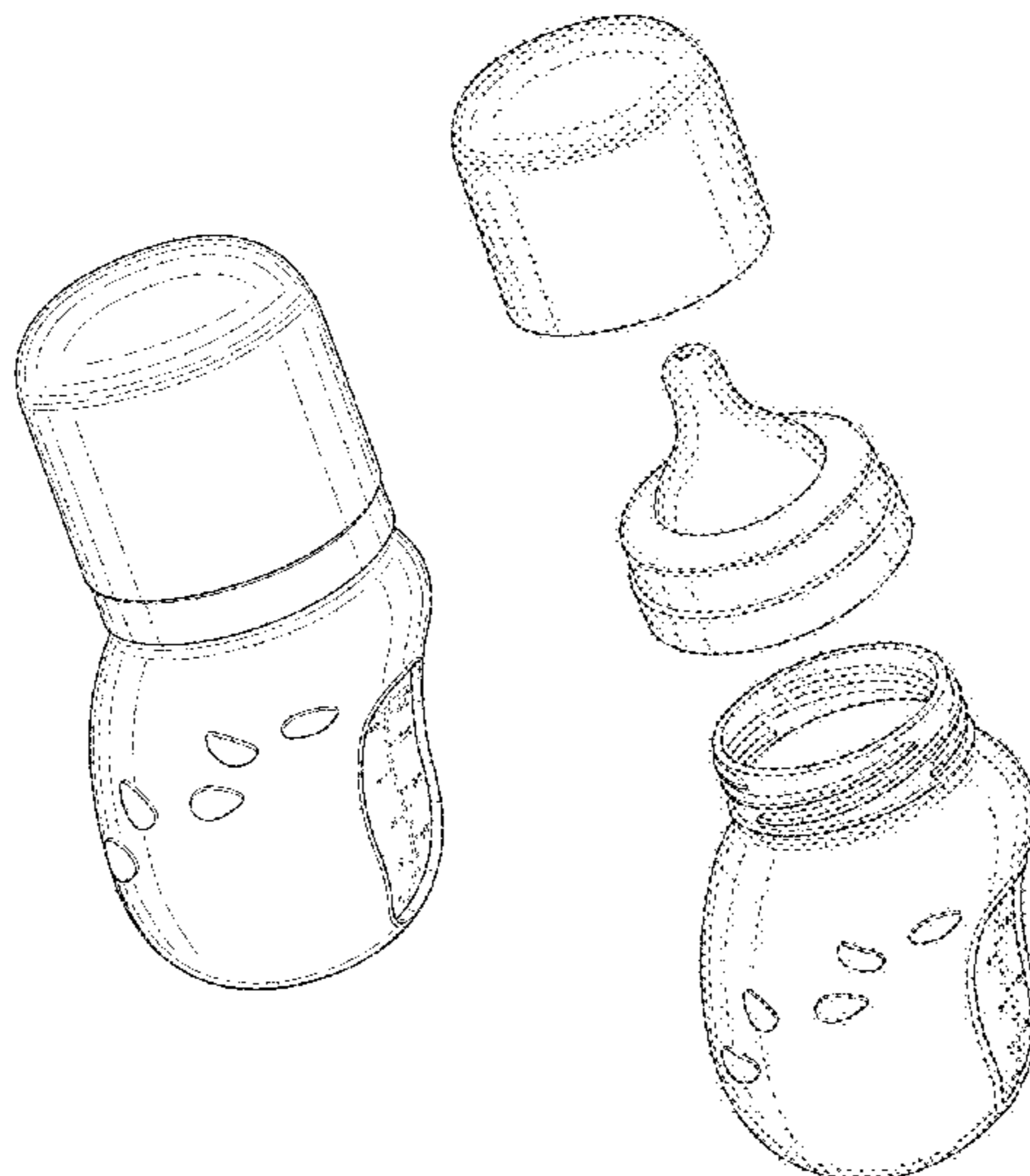
(57) **CLAIM**

The ornamental design for a bottle with sleeve, as shown and described.

**DESCRIPTION**

FIG. 1 is a top, front, left perspective view of a bottle with sleeve showing our new design;  
FIG. 2 is a front elevation view thereof;  
FIG. 3 is a rear elevation view thereof;  
FIG. 4 is a right side elevation view thereof;  
FIG. 5 is a left side elevation view thereof;  
FIG. 6 is a top plan view thereof;  
FIG. 7 is a bottom plan view thereof; and,  
FIG. 8 is a top, front, left perspective view of the bottle with sleeve of FIG. 1, shown exploded for clarity of disclosure  
The broken lines in the drawings depict portions of the bottle with sleeve that form no part of the claimed design.

**1 Claim, 7 Drawing Sheets**



(56)

References Cited

U.S. PATENT DOCUMENTS

D650,233	S *	12/2011	Roehrig .....	D24/197
8,132,683	B2	3/2012	Rund et al.	
8,297,469	B1	10/2012	Alford et al.	
8,579,133	B2	11/2013	Marcus et al.	
D696,410	S *	12/2013	Tollman .....	D24/197
D707,087	S	6/2014	Joy	
8,978,906	B2	3/2015	Feeley et al.	
9,227,761	B2	1/2016	Knaack	
9,266,643	B2	2/2016	Marcus et al.	
D761,623	S *	7/2016	Leimone .....	D7/507
D781,113	S *	3/2017	Kocsis .....	D7/624.2
D836,459	S *	12/2018	Thuesen .....	D9/716
2003/0146228	A1	8/2003	Davis et al.	
2008/0078824	A1	4/2008	Spriegel et al.	
2011/0056968	A1 *	3/2011	McNamara .....	A47G 19/2272 220/714
2014/0069888	A1 *	3/2014	Warden .....	A61J 9/08 215/386
2016/0362226	A1	12/2016	Marcus et al.	
2019/0110956	A1 *	4/2019	Smith .....	A61J 11/045

OTHER PUBLICATIONS

“Dr Brown’s: Protective Bottle Sleeve”. Found online Jan. 3, 2014 at amazon.com. Reference dated Mar. 4, 2011. Retrieved from [http://www.amazon.com/Protective-Bottle-Sleeve-Pink-pack/dp/B009CASEMK/ref=cm\\_cr\\_pr\\_product\\_top](http://www.amazon.com/Protective-Bottle-Sleeve-Pink-pack/dp/B009CASEMK/ref=cm_cr_pr_product_top).\*

“Tommee Tippee Ultra Bottles”. Found online Feb. 12, 2018 at amazon.com. Reference dated Oct. 6, 2016. Retrieved from [https://www.amazon.com/Tommee-Tippee-Ultra-Bottles-Ounce/dp/B01HOHLH1M/ref=cm\\_cr\\_arp\\_d\\_product\\_top?ie=UTF8&th=1](https://www.amazon.com/Tommee-Tippee-Ultra-Bottles-Ounce/dp/B01HOHLH1M/ref=cm_cr_arp_d_product_top?ie=UTF8&th=1).\*

Lifefactory Mixed Starter Set The date of this publication is not known, but it is requested that it be considered as prior art for purposes of examination. United States.

Zulu Athletic Atlas 20 oz Glass Water Bottle The date of this publication is not known, but it is requested that it be considered as prior art for purposes of examination. United States.

\* cited by examiner

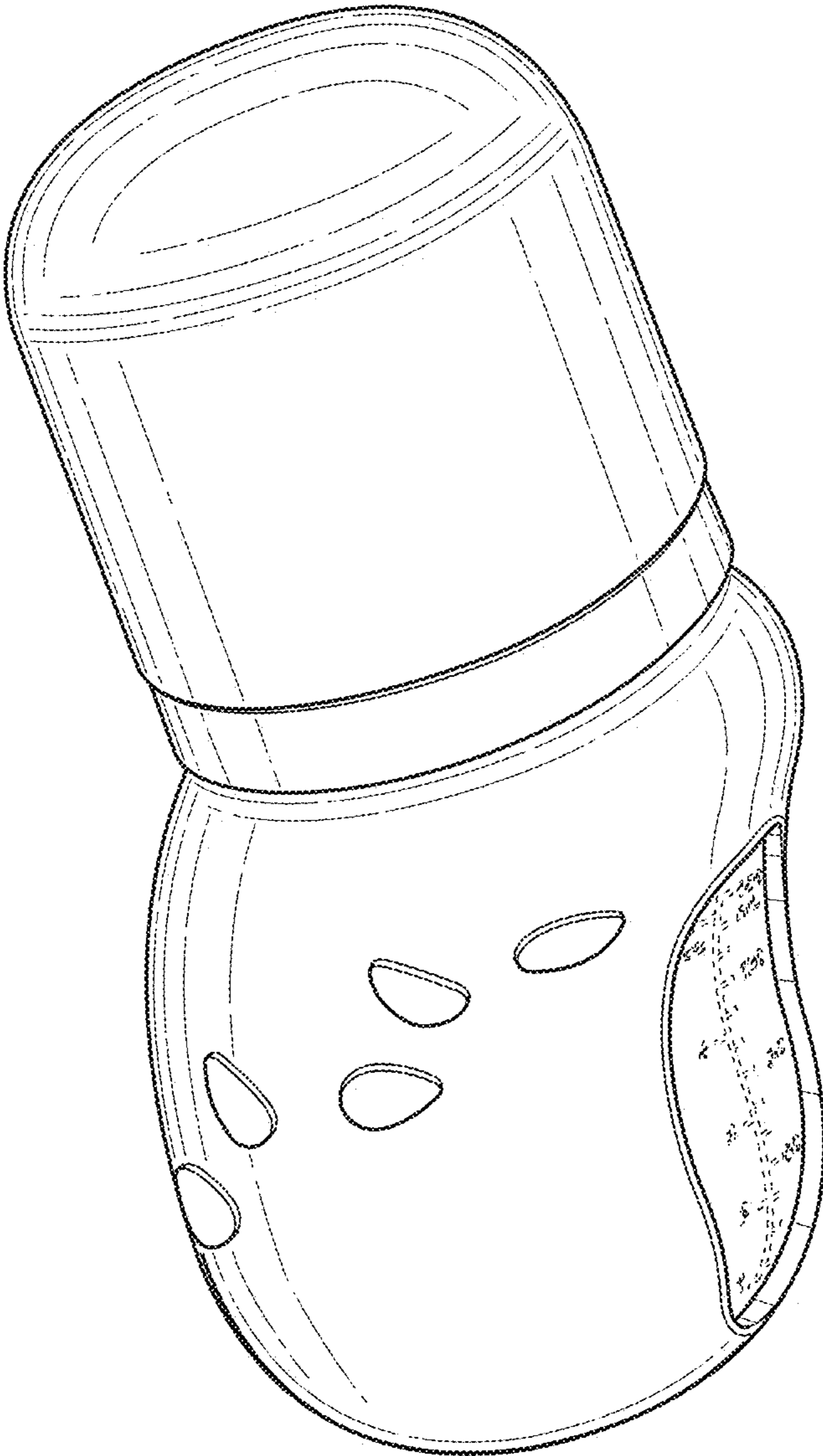


FIG. 1

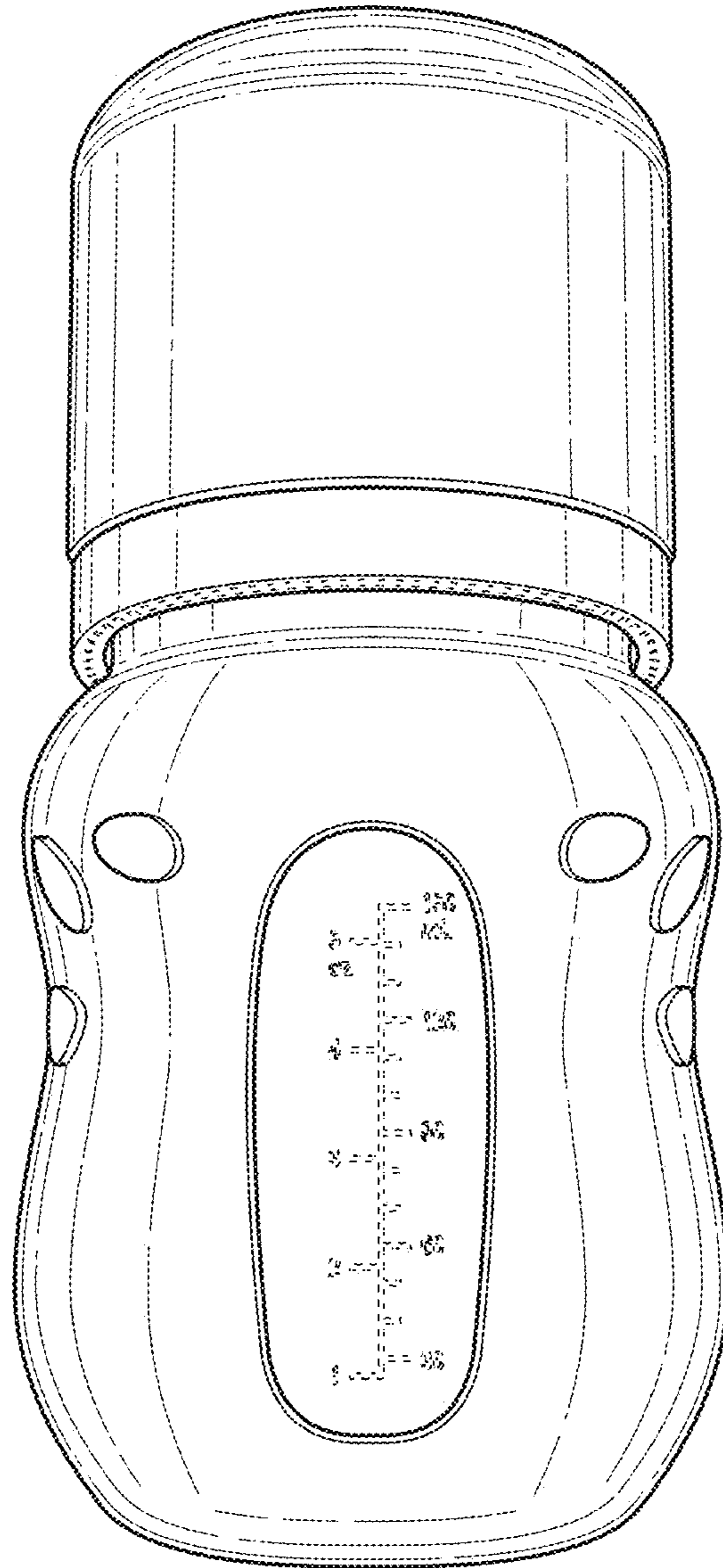


FIG. 2

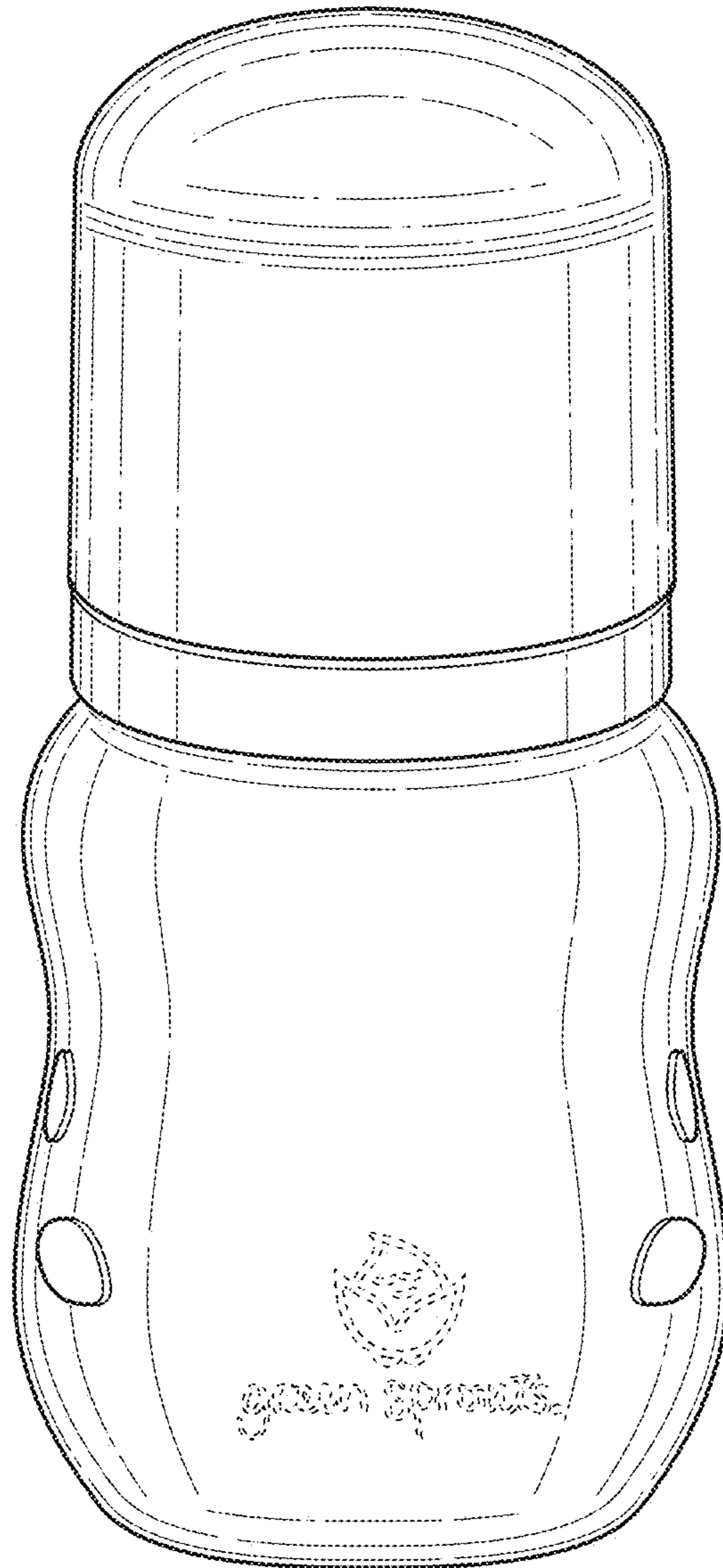
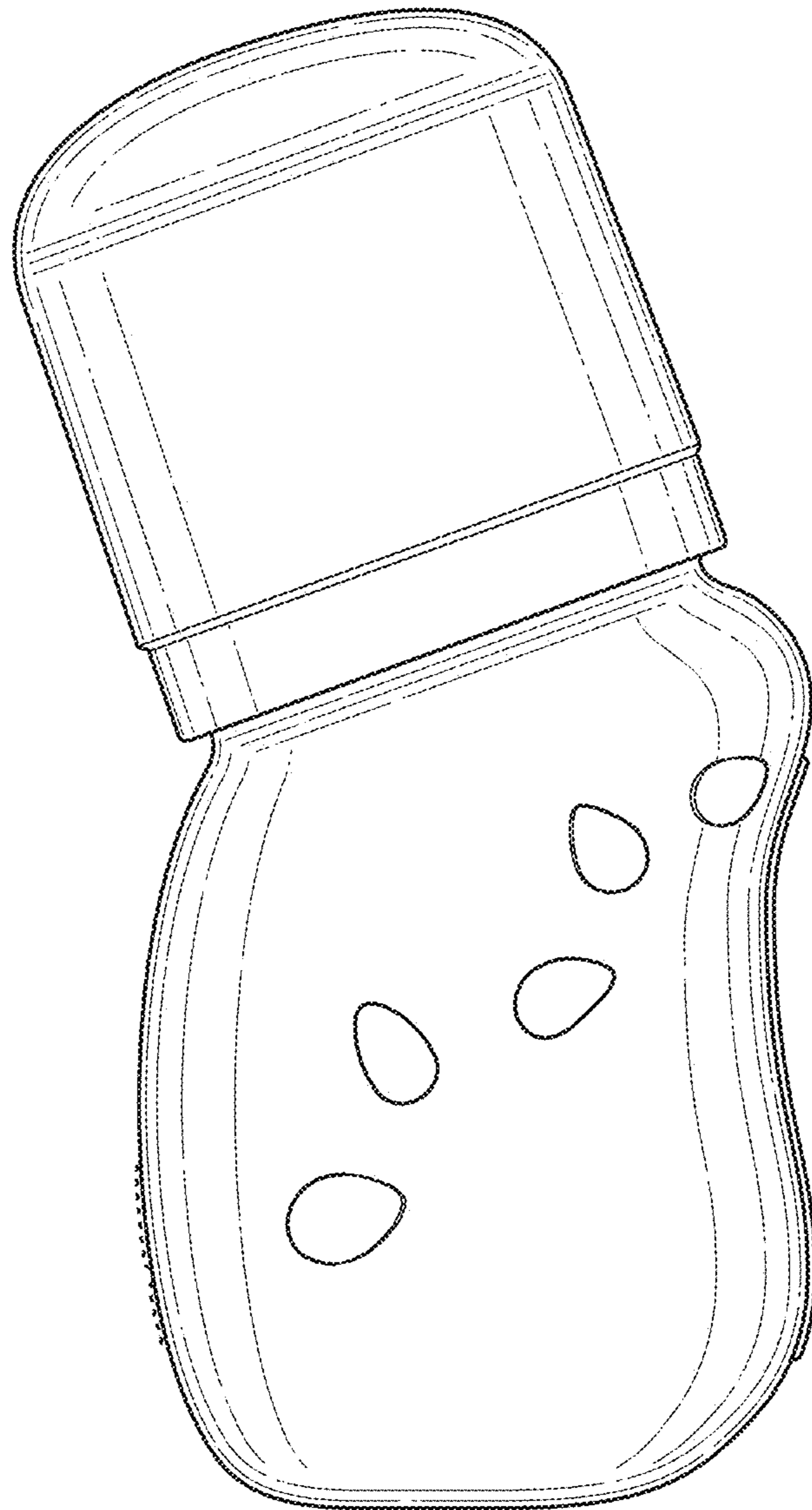


FIG. 3



**FIG. 4**

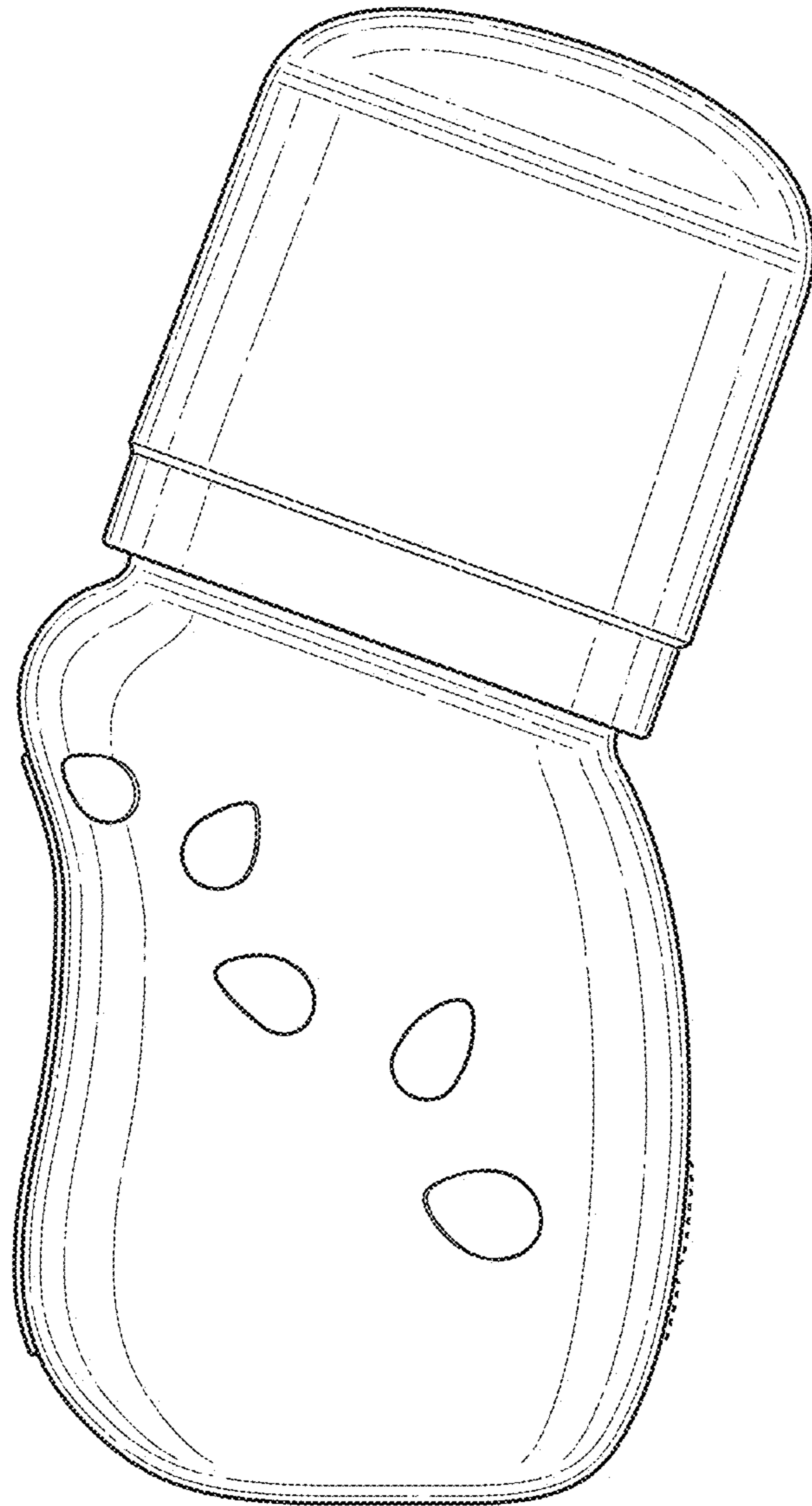
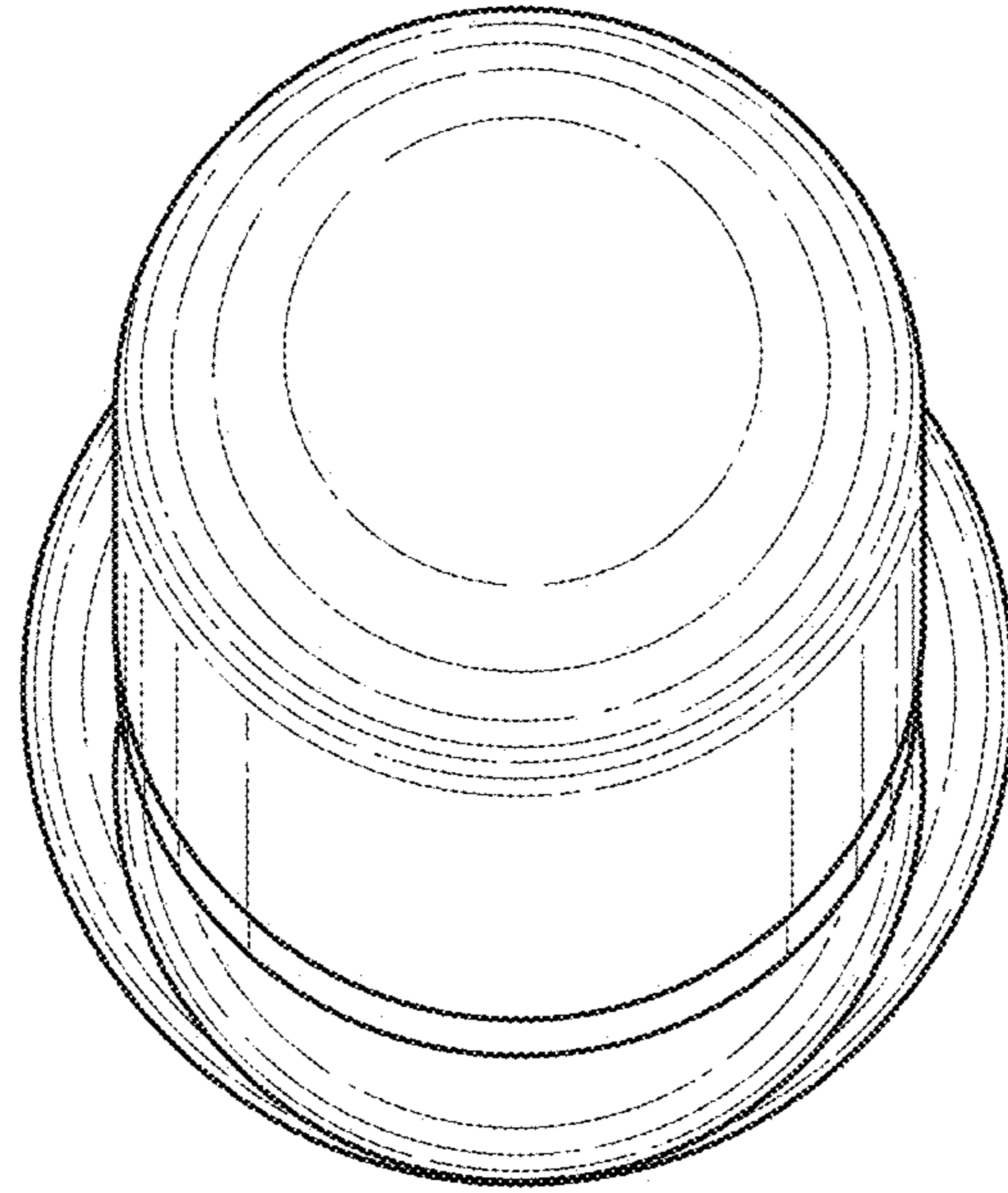
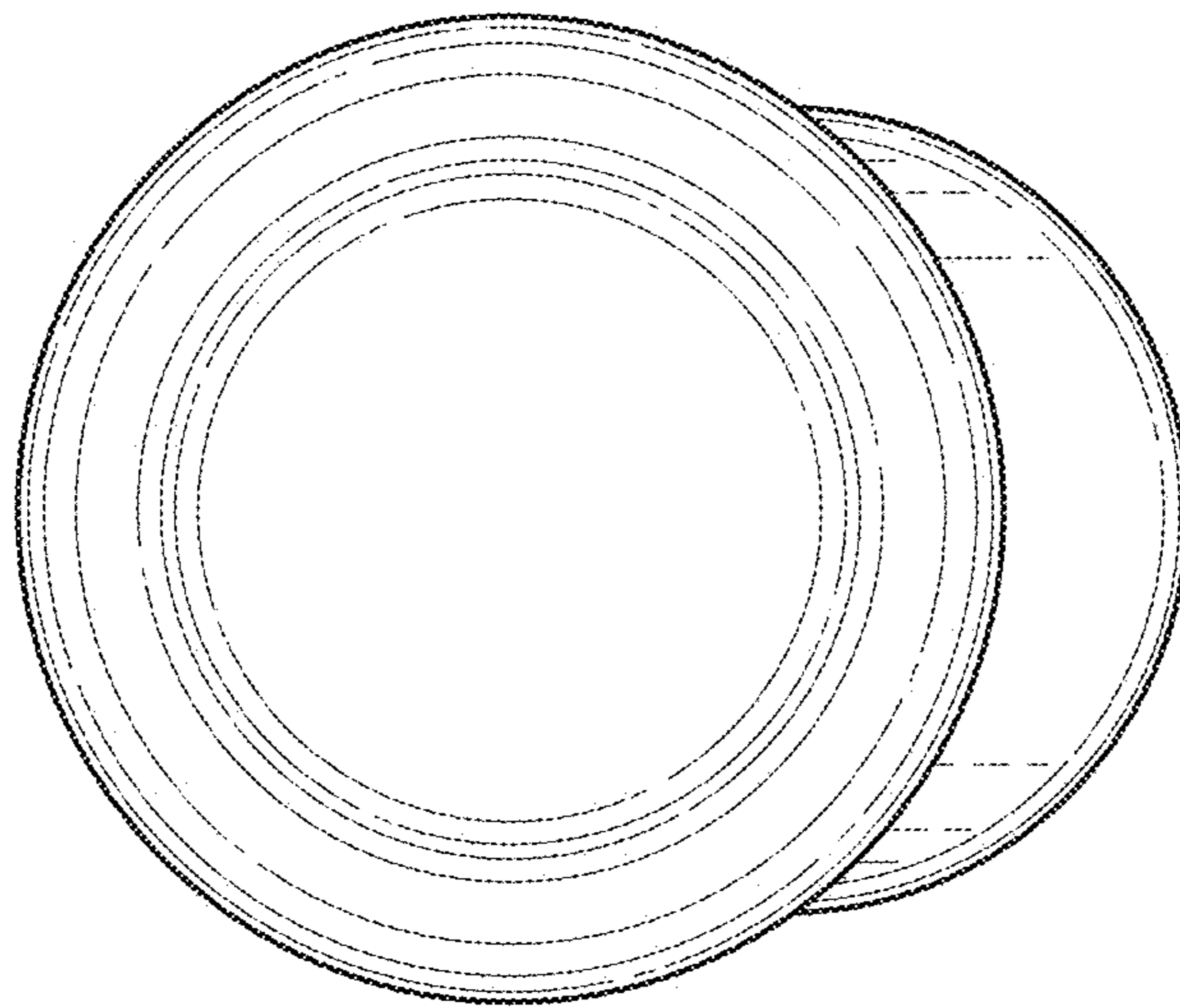


FIG. 5



**FIG. 6**



**FIG. 7**



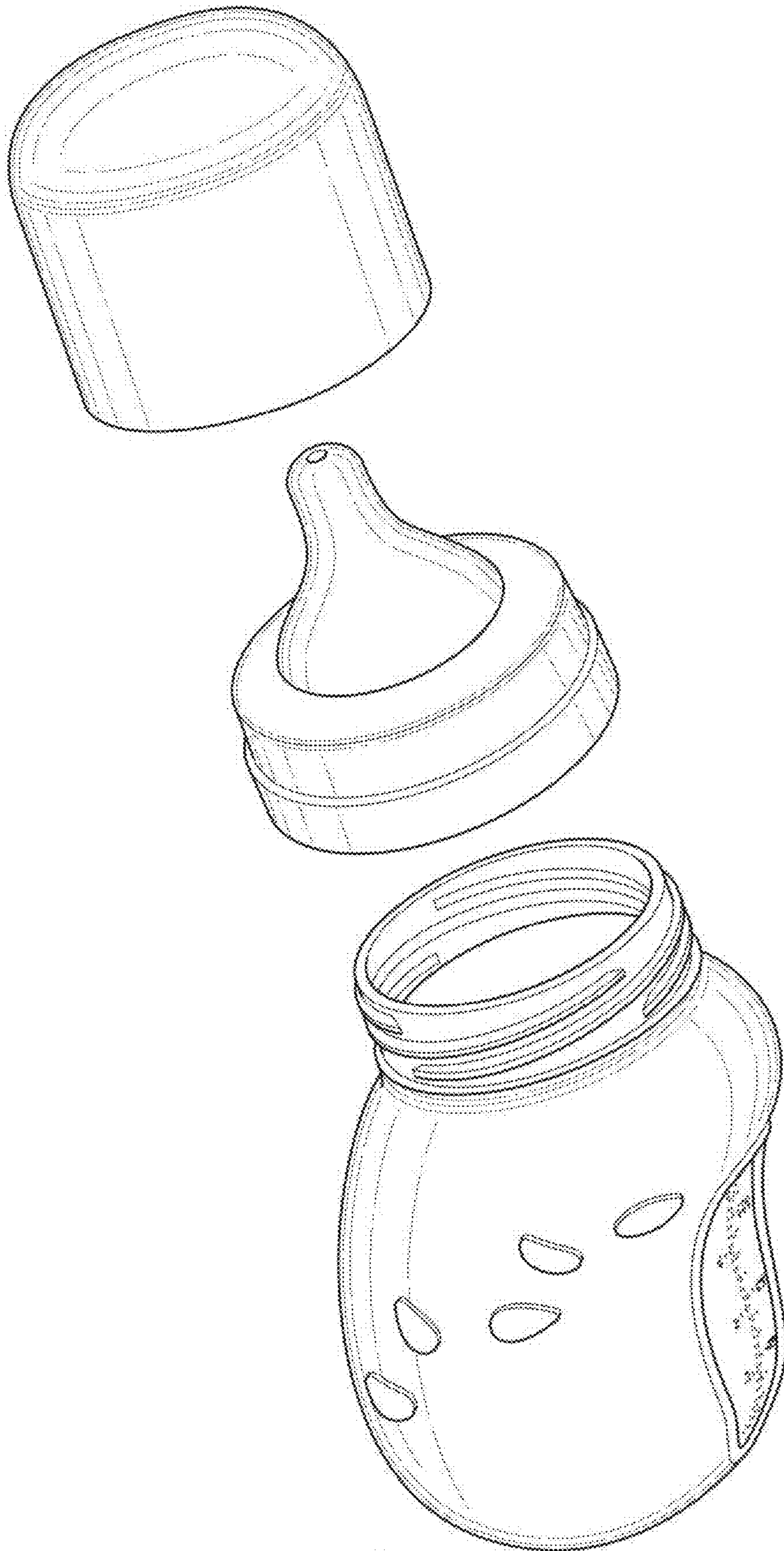


FIG. 8