



US00D911533S

(12) **United States Design Patent** (10) **Patent No.:** **US D911,533 S**
Zhen (45) **Date of Patent:** **** Feb. 23, 2021**

(54) **NECK HAMMOCK**

OTHER PUBLICATIONS

(71) Applicant: **Yiguang Zhen**, Xinle (CN)

Riterr Neck Hammock, first available on Amazon May 24, 2020, viewed by examiner Sep. 11, 2020. Available online at URL: https://www.amazon.com/dp/B086YDWLM9/ref=sspa_dk_detail_0?psc=1&pd_rd_i=B086YDWLM9&pd_rd_w=lx5Cl&pf_rd_p=48d372c1-f7e1-4b8b-9d02-4bd86f5158c5&pd_rd_wg=TGj77&pf_rd_r=BJY2N9F0MSKB6T8AZF34&pd_rd_r=6864bd90.*

(72) Inventor: **Yiguang Zhen**, Xinle (CN)

Bigzzia Neck Hammock with Ear Holes, first available on Amazon.com Jun. 19, 2020, viewed by examiner Sep. 11, 2020. Available online at URL: https://www.amazon.com/Portable-Cervical-Traction-Relieves-Shoulder/dp/B08BHVSJR1/ref=sr_1_13?dchild=1&keywords=neck+hammock&qid=1599875765&sr=8-13.*

(**) Term: **15 Years**

(21) Appl. No.: **29/738,714**

(22) Filed: **Jun. 19, 2020**

(51) **LOC (13) Cl.** **24-01**

(52) **U.S. Cl.**
USPC **D24/191**

(58) **Field of Classification Search**
USPC D24/188, 190-192
CPC A47C 7/383; A47C 7/38; A47C 16/00;
A61F 5/055; A61F 5/0104; A61F 5/3715;
A61F 5/012; A61H 1/0218; A61H
2201/1607; A61H 1/0292; A61H
2201/1284; A61H 1/0237; A61H 1/0274;
A61H 1/0296; A61H 2201/1604; A61H
2201/1621

See application file for complete search history.

(56) **References Cited**

U.S. PATENT DOCUMENTS

2,674,996	A *	4/1954	Stowell	A61H 1/0218 602/36
3,118,443	A *	1/1964	Dykinga	A61H 1/0218 602/17
D493,001	S *	7/2004	Urban	D24/190
D824,035	S *	7/2018	Sudell	D24/191
D844,154	S *	3/2019	Kellock	D24/190
D845,492	S *	4/2019	Sudell	
D845,494	S *	4/2019	Sudell	D24/190
D862,713	S *	10/2019	Wendling	D24/191
D870,898	S *	12/2019	Sudell	D24/190
D896,975	S *	9/2020	Chen	D24/191
2018/0042757	A1 *	2/2018	Sudell	A61H 1/0218

* cited by examiner

Primary Examiner — Jennifer L Watkins

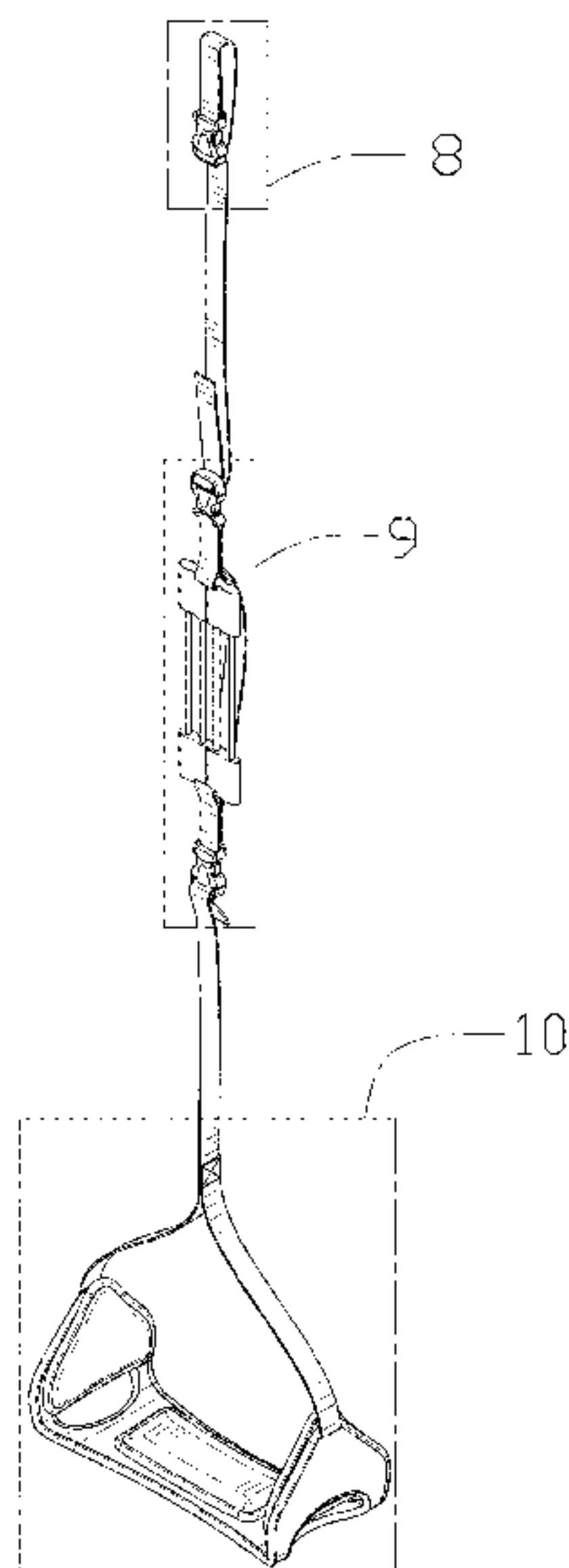
(57) **CLAIM**

The ornamental design for a neck hammock, as shown and described.

DESCRIPTION

FIG. 1 is a perspective view of a neck hammock showing my new design;
FIG. 2 is a front elevational view thereof;
FIG. 3 is a rear elevational view thereof;
FIG. 4 is a left side elevational view thereof;
FIG. 5 is a right side elevational view thereof;
FIG. 6 is an enlarged top plan view thereof;
FIG. 7 is an enlarged bottom plan view thereof;
FIG. 8 is an enlarged view of portion 8 shown in FIG. 1;
FIG. 9 is an enlarged view of portion 9 shown in FIG. 1;
FIG. 10 is an enlarged view of portion 10 shown in FIG. 1;
FIG. 11 is an enlarged view of portion 11 shown in FIG. 2;
and,
FIG. 12 is an enlarged view of portion 12 shown in FIG. 4.
The unevenly dashed broken lines depict the cut line from which the enlarged portions are taken and form no part of the claimed design.

1 Claim, 12 Drawing Sheets



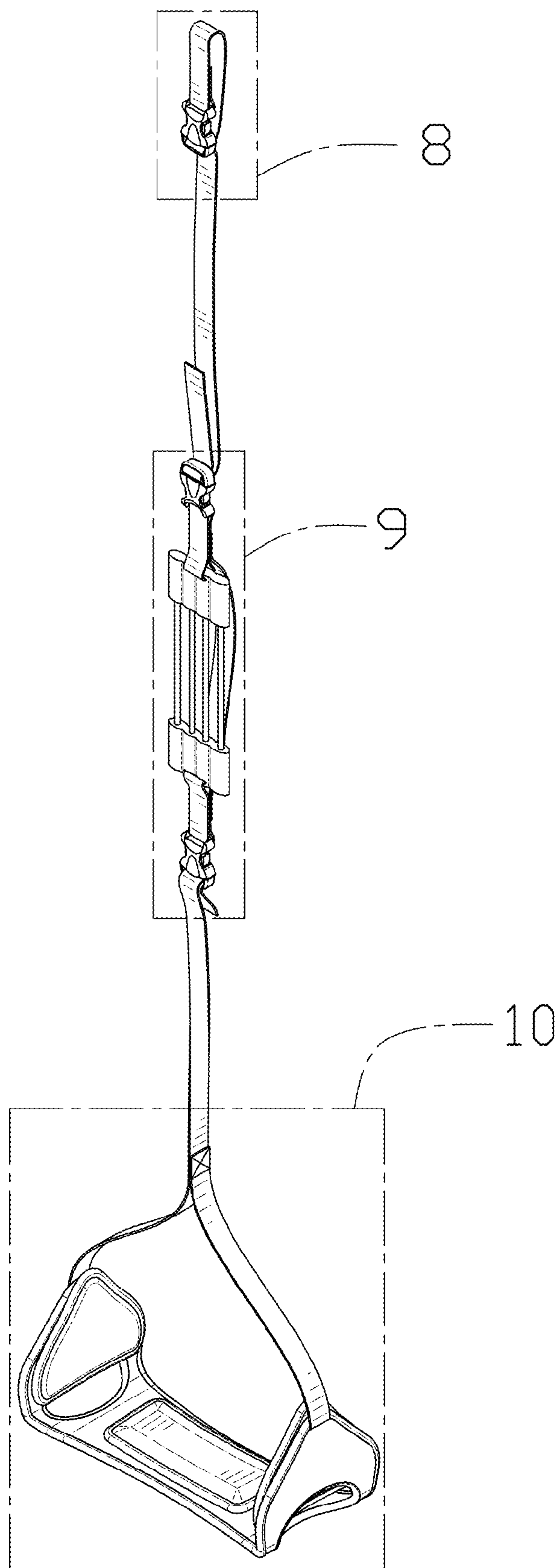


FIG. 1

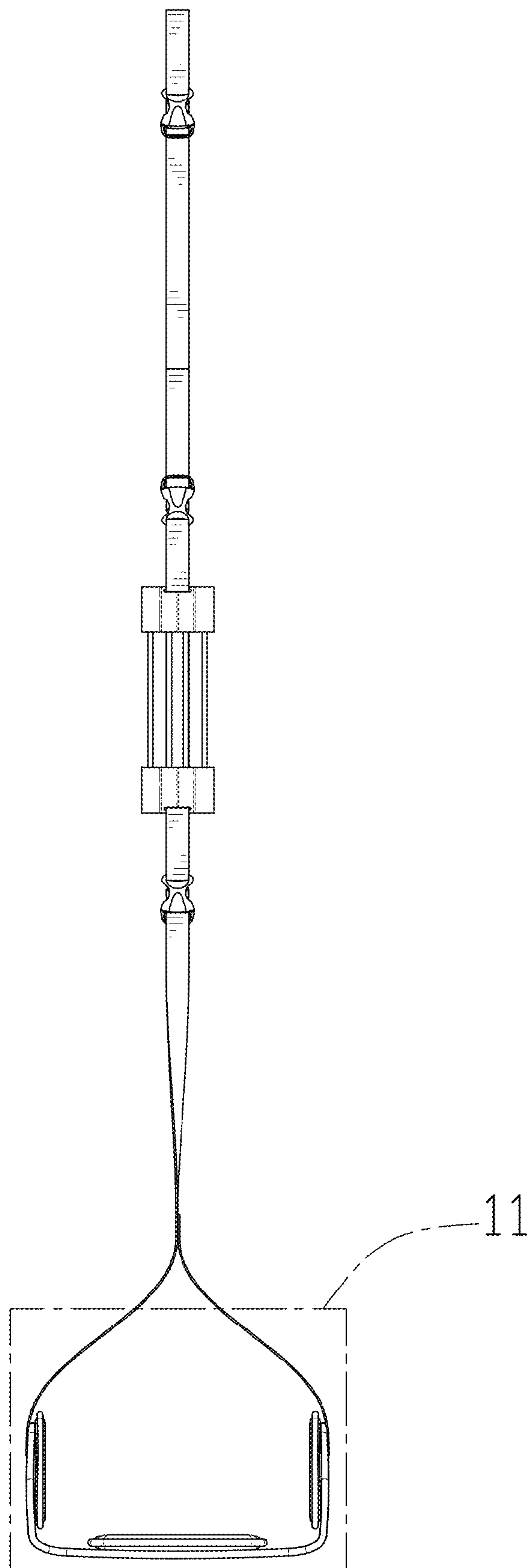


FIG. 2

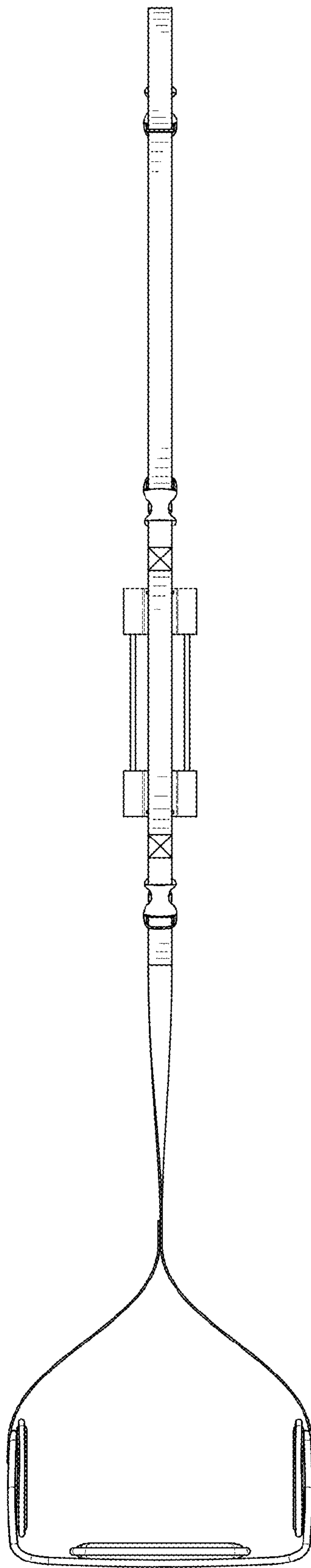


FIG. 3

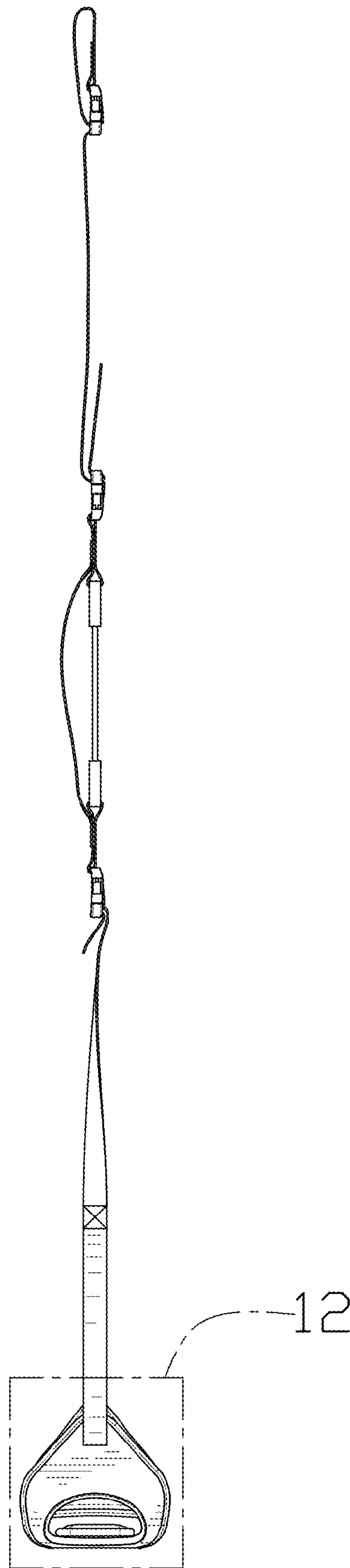


FIG. 4

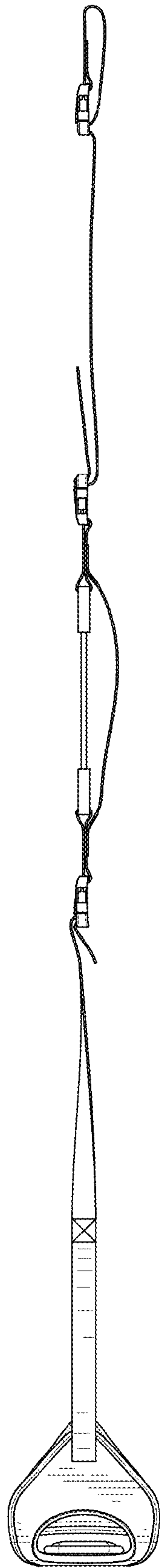


FIG. 5

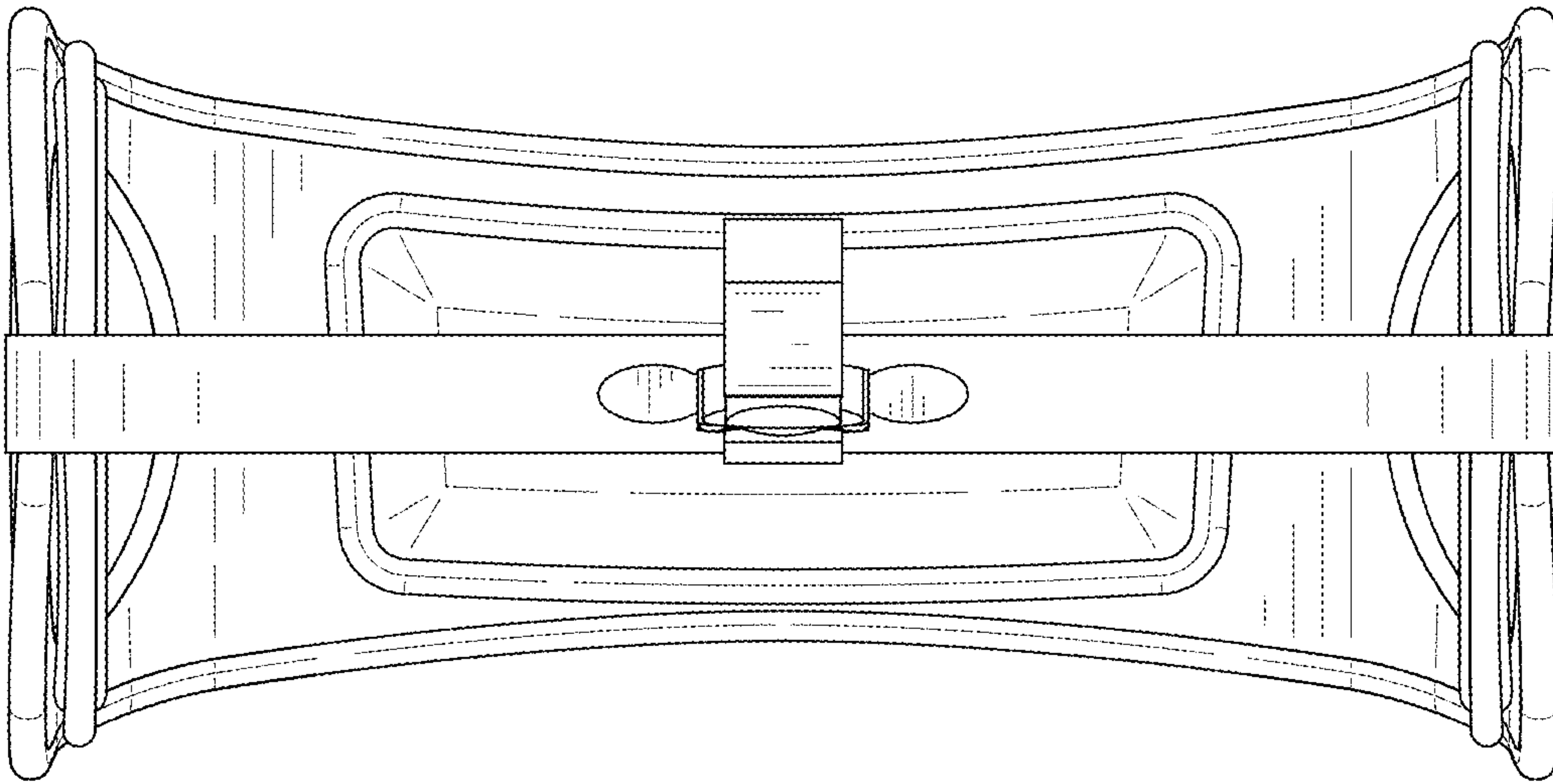


FIG. 6

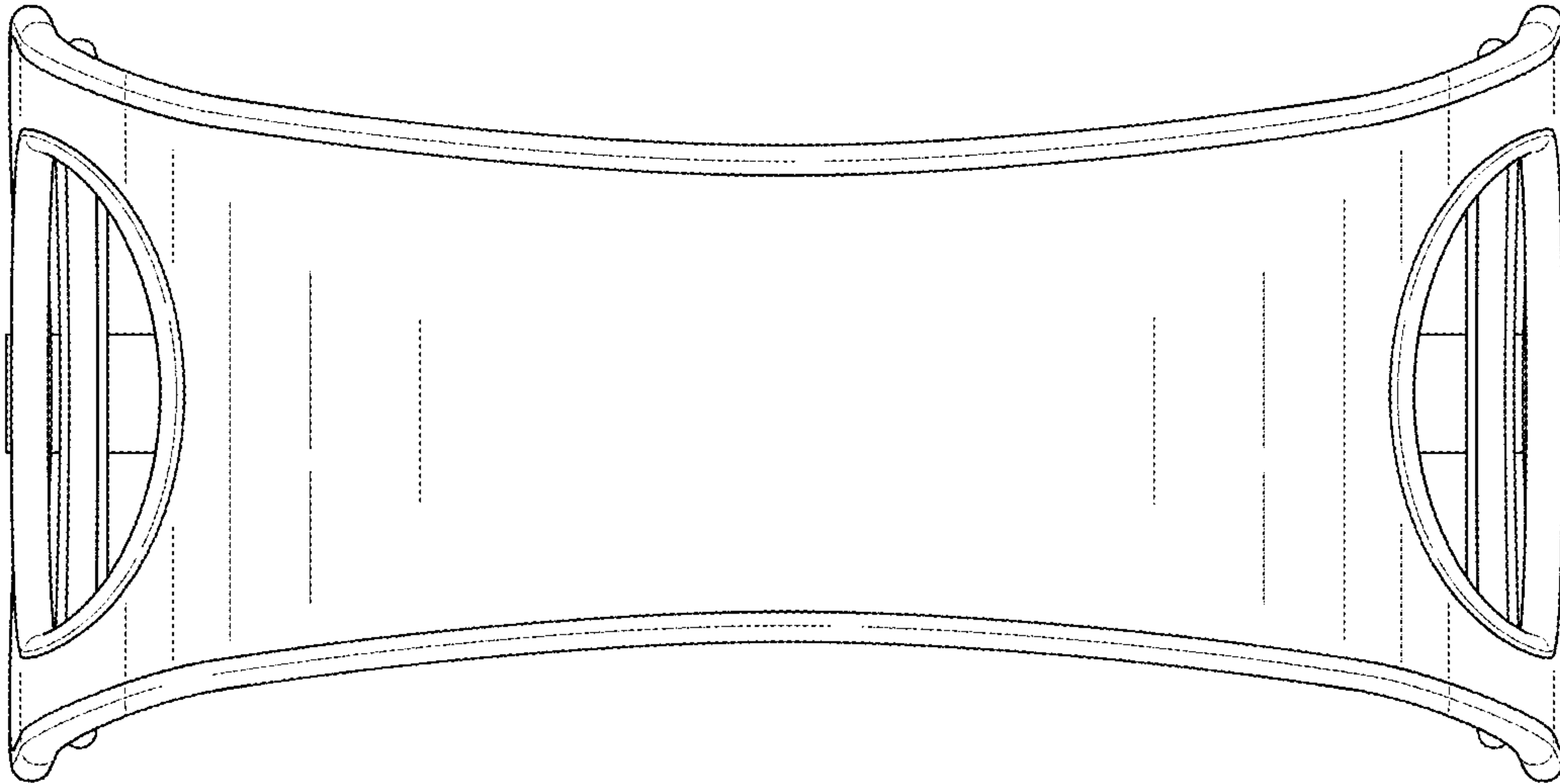


FIG. 7

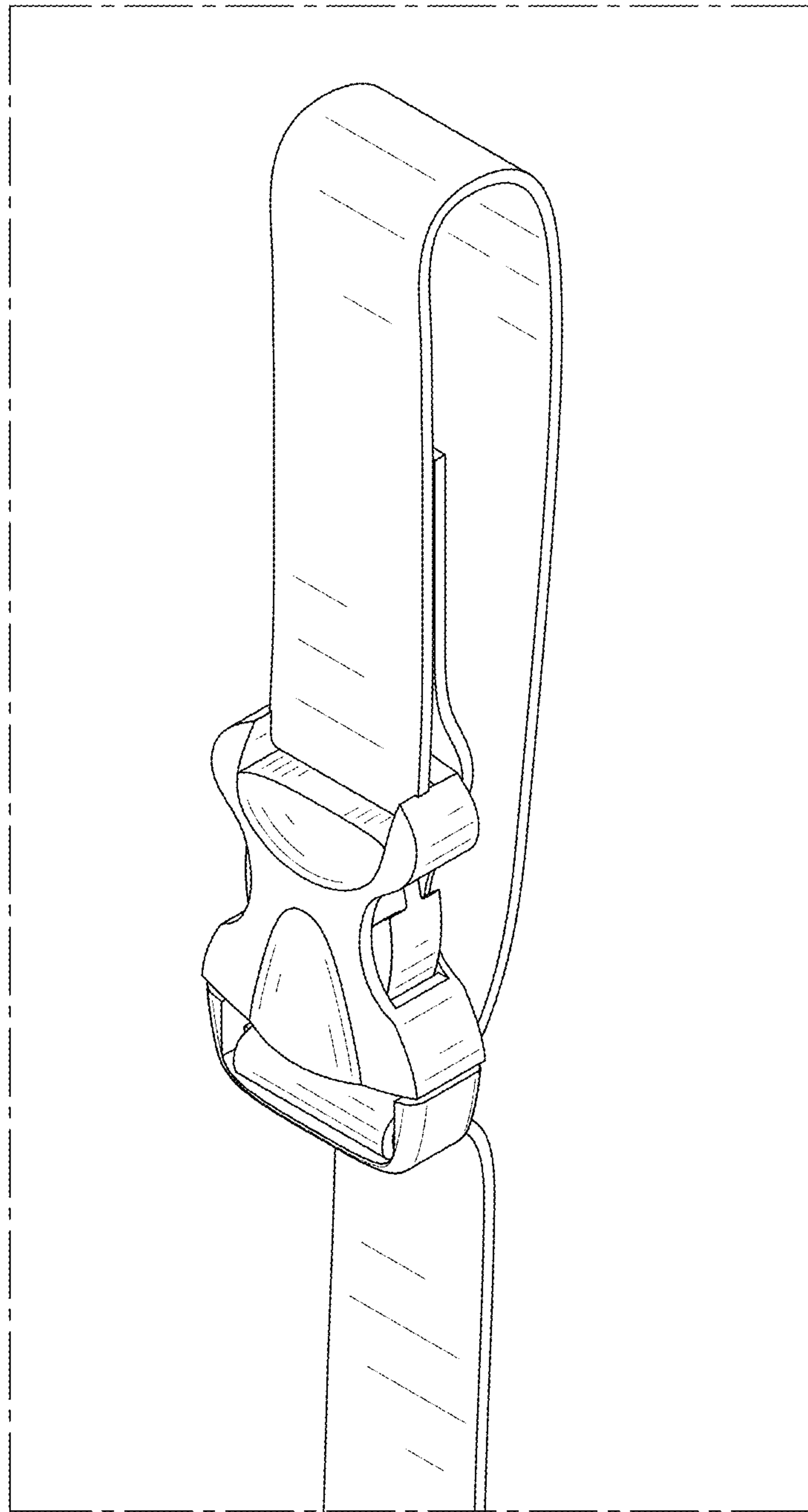


FIG. 8

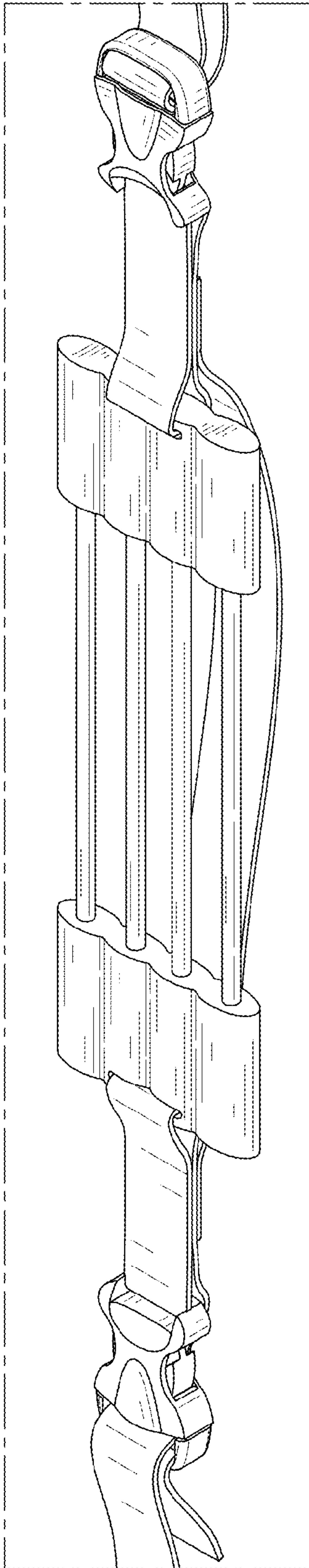


FIG. 9

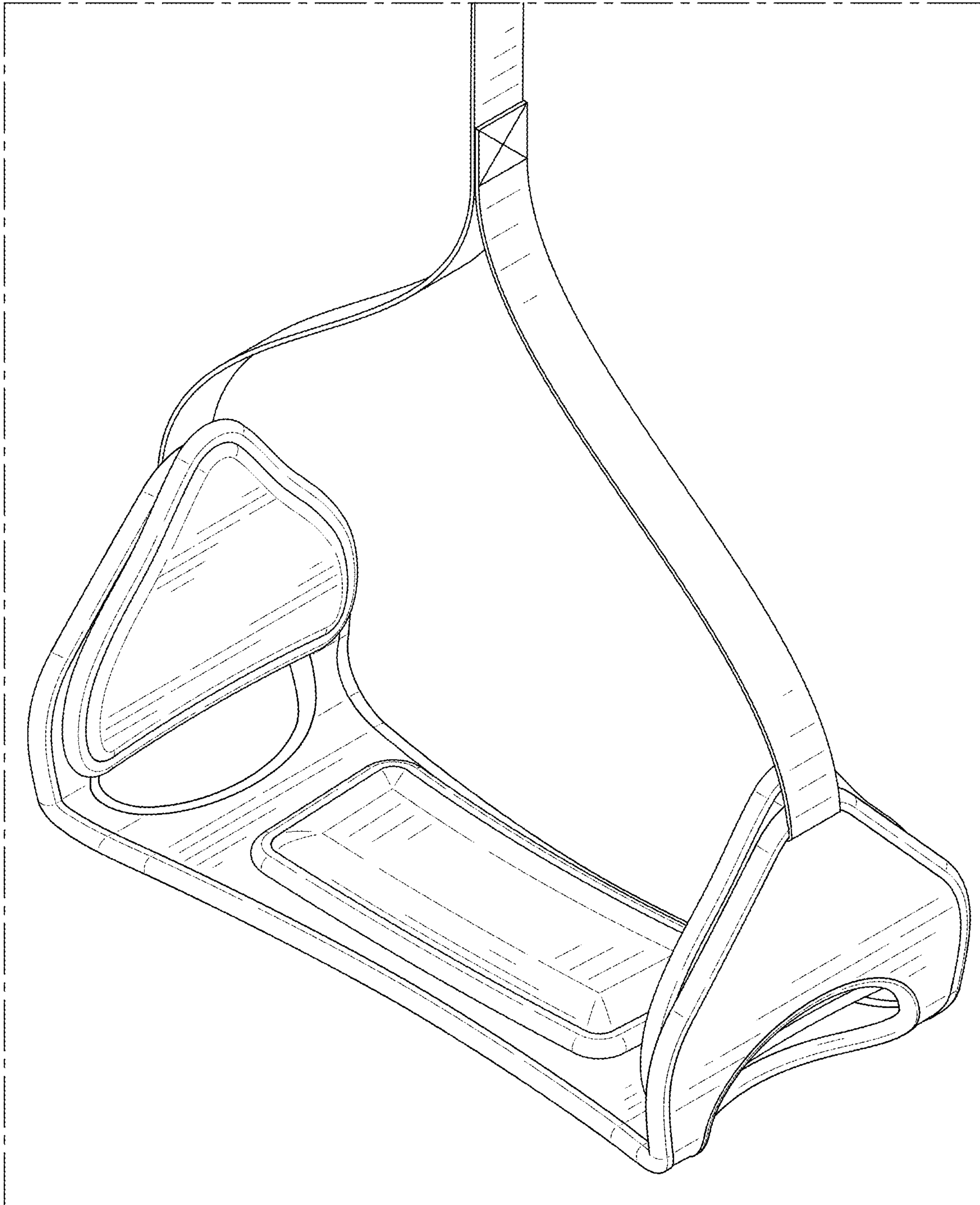


FIG. 10

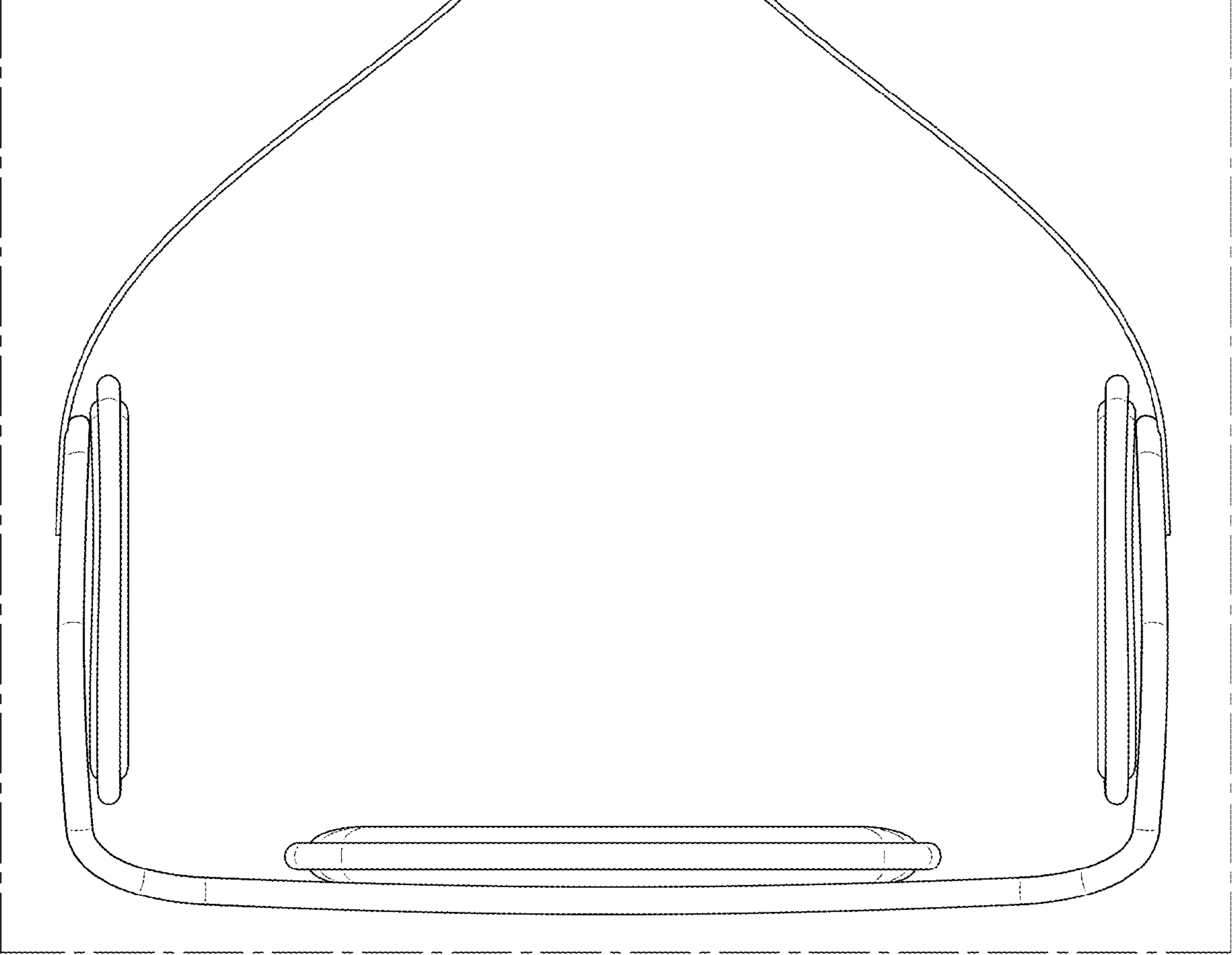


FIG. 11

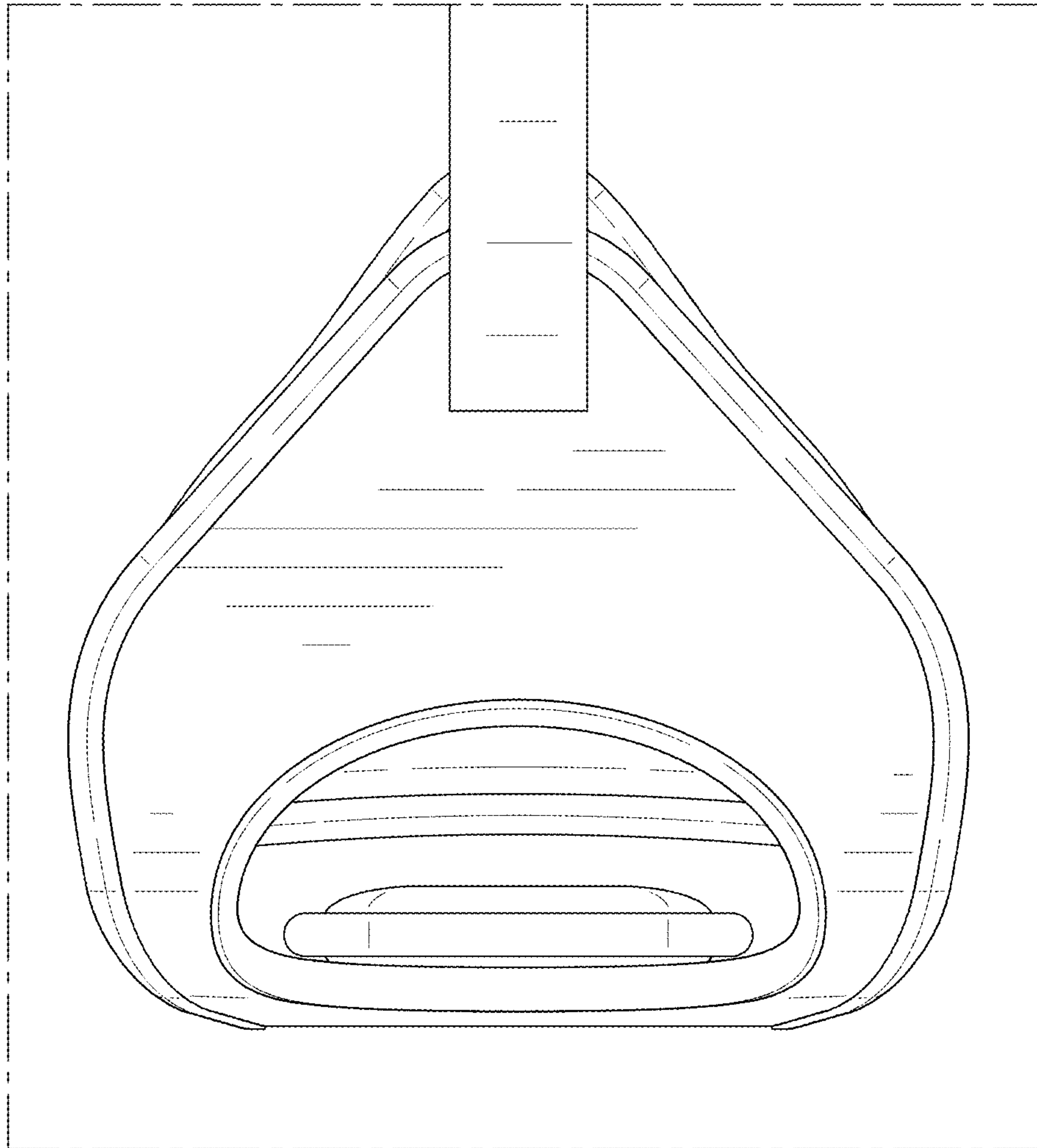


FIG. 12