



US00D911532S

(12) **United States Design Patent**
Wang

(10) **Patent No.:** **US D911,532 S**
(45) **Date of Patent:** **** Feb. 23, 2021**

- (54) **MATERNITY BELT**
- (71) Applicant: **OHEMAN International Mother and Baby Products (Shenzhen) Co., Ltd,**
Shenzhen (CN)
- (72) Inventor: **Wenbo Wang,** Shenzhen (CN)
- (73) Assignee: **OHEMAN International Mother and Baby Products (Shenzhen) Co., Ltd,**
Shenzhen (CN)
- (**) Term: **15 Years**
- (21) Appl. No.: **29/601,432**
- (22) Filed: **Apr. 21, 2017**
- (51) **LOC (13) Cl.** **24-01**
- (52) **U.S. Cl.**
USPC **D24/190**
- (58) **Field of Classification Search**
USPC D2/624–629, 631, 633–640, 701, 859,
D2/861; D3/224; D24/186, 190;
D29/101.1, 101.3; D21/805
CPC A41F 11/00; A41F 11/02; A41F 11/04;
A41F 11/06; A41F 11/14; A41F 11/16;
A41F 11/18; A41F 17/02; A41F 17/04;
A41F 19/00; A41F 3/00; A41F 3/02;
A41F 5/00; A41F 7/00; A41F 9/002;
A62B 35/00; B60R 2022/006; B60R
2022/008; B60R 22/00; B60R 22/10;
A45F 2003/144; A61F 5/02; A61F 5/028;
A41C 1/08; A41C 1/10
See application file for complete search history.

(56) **References Cited**

U.S. PATENT DOCUMENTS

- 1,636,459 A * 7/1927 Chappel A41F 9/002
182/3
- 4,005,715 A * 2/1977 Moore A41C 1/10
450/155

- D313,290 S * 12/1990 Seering D2/701
- D351,051 S * 10/1994 Pearson A61F 5/4401
D29/101.1
- D355,748 S * 2/1995 Dancyger D29/101.5
- 5,399,151 A * 3/1995 Smith A61F 5/028
2/44
- 5,403,285 A * 4/1995 Roberts A61M 25/02
604/179
- 5,497,923 A * 3/1996 Pearson A41F 9/002
2/300
- 5,560,046 A * 10/1996 Iwamasa A61F 5/028
128/101.1
- 5,702,286 A * 12/1997 Seering A41C 1/10
2/44
- D422,931 S * 4/2000 Agnew A41F 9/002
D10/111
- D480,145 S * 9/2003 Slutterback D24/190
- 6,846,220 B2 * 1/2005 Wakefield A61F 5/03
128/96.1
- D501,582 S * 2/2005 Yang A61F 5/028
D29/101.3
- 7,709,714 B2 * 5/2010 Harbaugh G10G 5/005
224/264

(Continued)

Primary Examiner — Kevin K Rudzinski
Assistant Examiner — Clare Ann Gannon

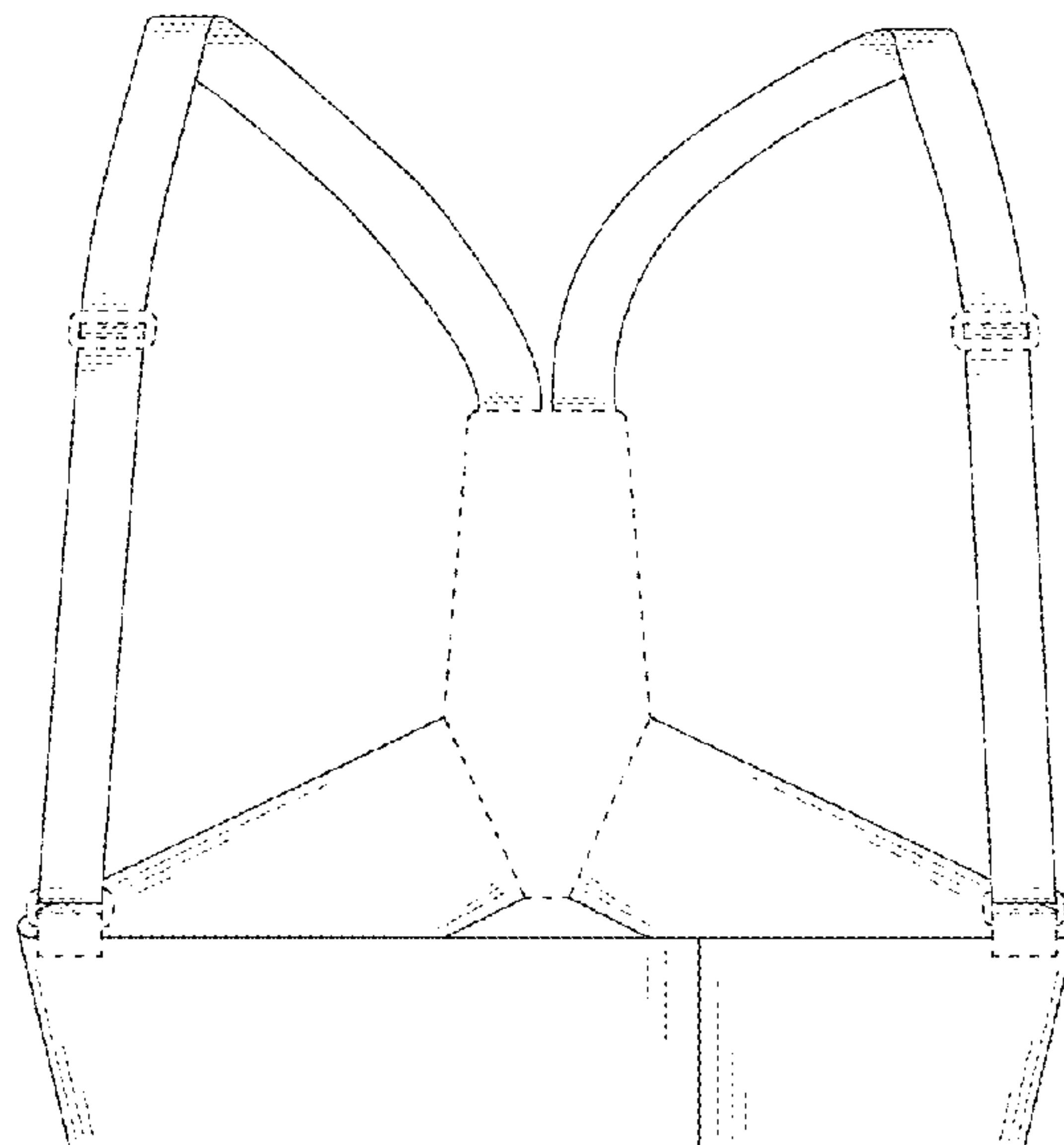
(57) **CLAIM**

The ornamental design for a maternity belt, as shown and described.

DESCRIPTION

FIG. 1 is a front view showing my new design;
FIG. 2 is a rear view thereof;
FIG. 3 is a front view thereof, shown in an unfolded configuration; and,
FIG. 4 is a rear view thereof, shown in an unfolded configuration.
The broken lines in the figures illustrate portions of the maternity belt that form no part of the claimed design.

1 Claim, 4 Drawing Sheets



(56)

References Cited

U.S. PATENT DOCUMENTS

D648,440 S *	11/2011	Allen	A41C 1/10 D24/190	2007/0152007 A1*	7/2007	Kauss	A45F 3/14 224/637
8,066,654 B2 *	11/2011	Sandifer	A61F 5/026 224/263	2009/0081926 A1*	3/2009	Gros	A61F 5/03 450/155
D672,036 S *	12/2012	Simon	A61F 5/028 D24/128	2009/0084245 A1*	4/2009	Harbaugh	G10G 5/005 84/327
D699,418 S *	2/2014	Moreno	D2/828	2010/0318010 A1*	12/2010	Sandifer	A61F 5/026 602/19
9,572,705 B2 *	2/2017	Ingimundarson	A61F 5/026	2012/0278966 A1*	11/2012	Ju	A61F 5/026 2/69
9,585,462 B2 *	3/2017	Engdahl	A45F 3/04	2013/0067642 A1*	3/2013	Chen	A41C 1/10 2/300
D818,132 S *	5/2018	Hille	G10G 5/005 D24/190	2013/0184625 A1*	7/2013	Ingimundarson	A61F 5/028 602/19
D849,255 S *	5/2019	Colleran	D24/190	2015/0366697 A1*	12/2015	Dreske	A61F 5/02 602/19
D851,263 S *	6/2019	Thompson	D24/190	2016/0074201 A1*	3/2016	Williamson	A61F 5/028 602/19
D865,184 S *	10/2019	Dorsey	D24/190	2017/0143047 A1*	5/2017	Howard	A41C 1/10
D865,186 S *	10/2019	Cisko, Jr.	A61M 25/02 D24/190	2017/0367872 A1*	12/2017	Cantrell	A61F 5/4401
D888,368 S *	6/2020	Hyera	D2/627	2018/0325184 A1*	11/2018	Roberts	A41B 9/004
D898,328 S *	10/2020	Jacobs	D2/629				

* cited by examiner

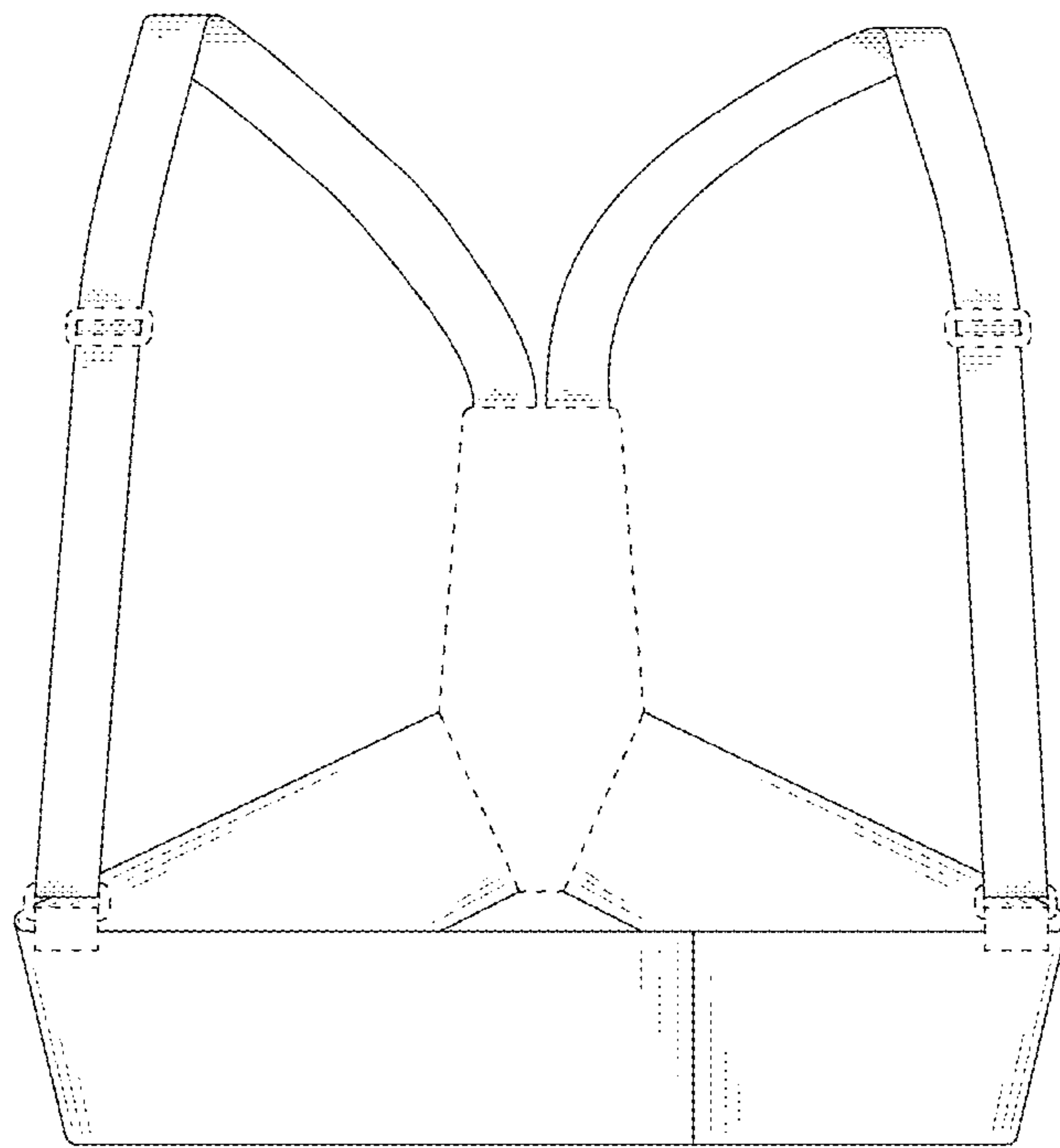


FIG. 1

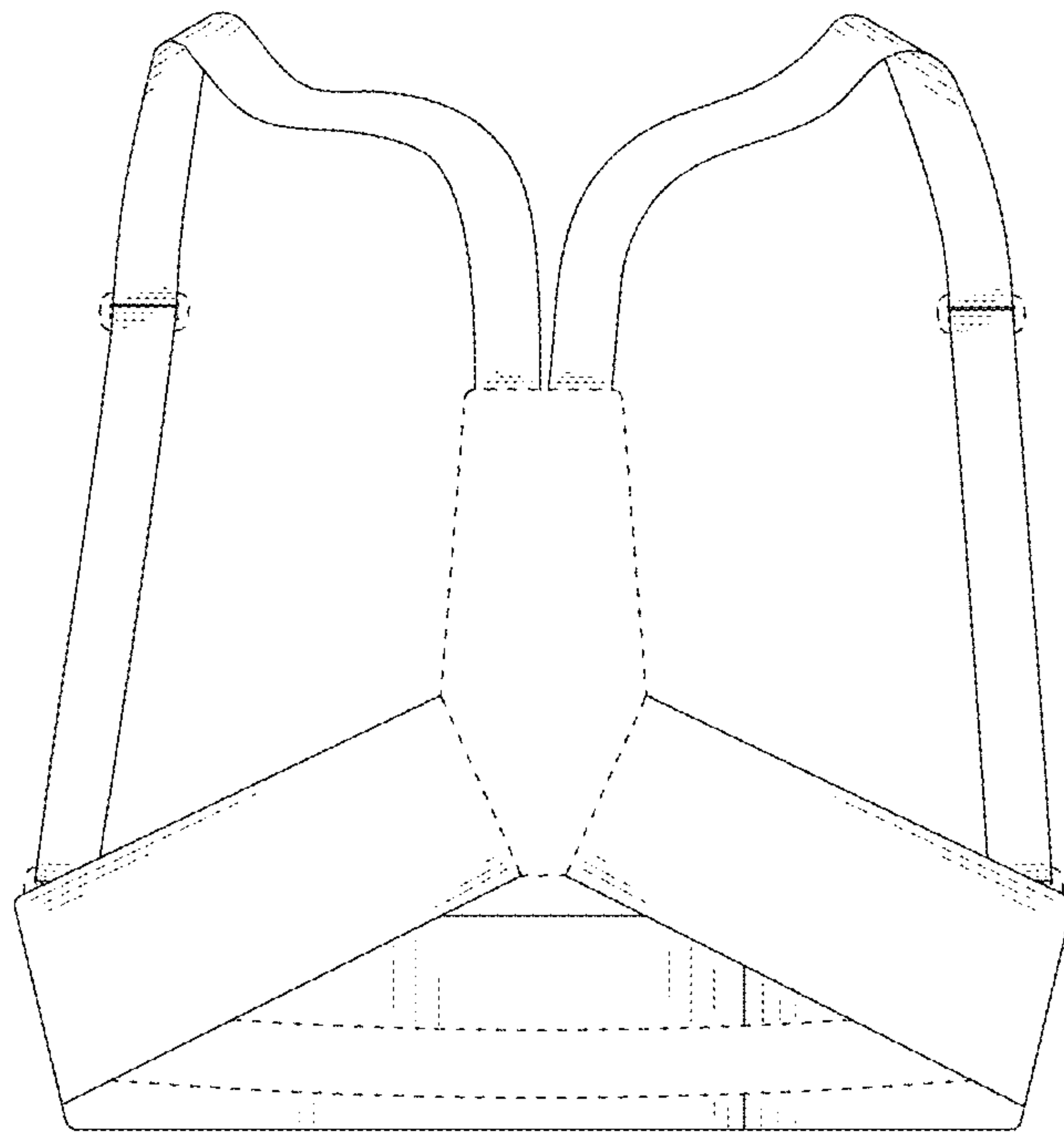


FIG. 2

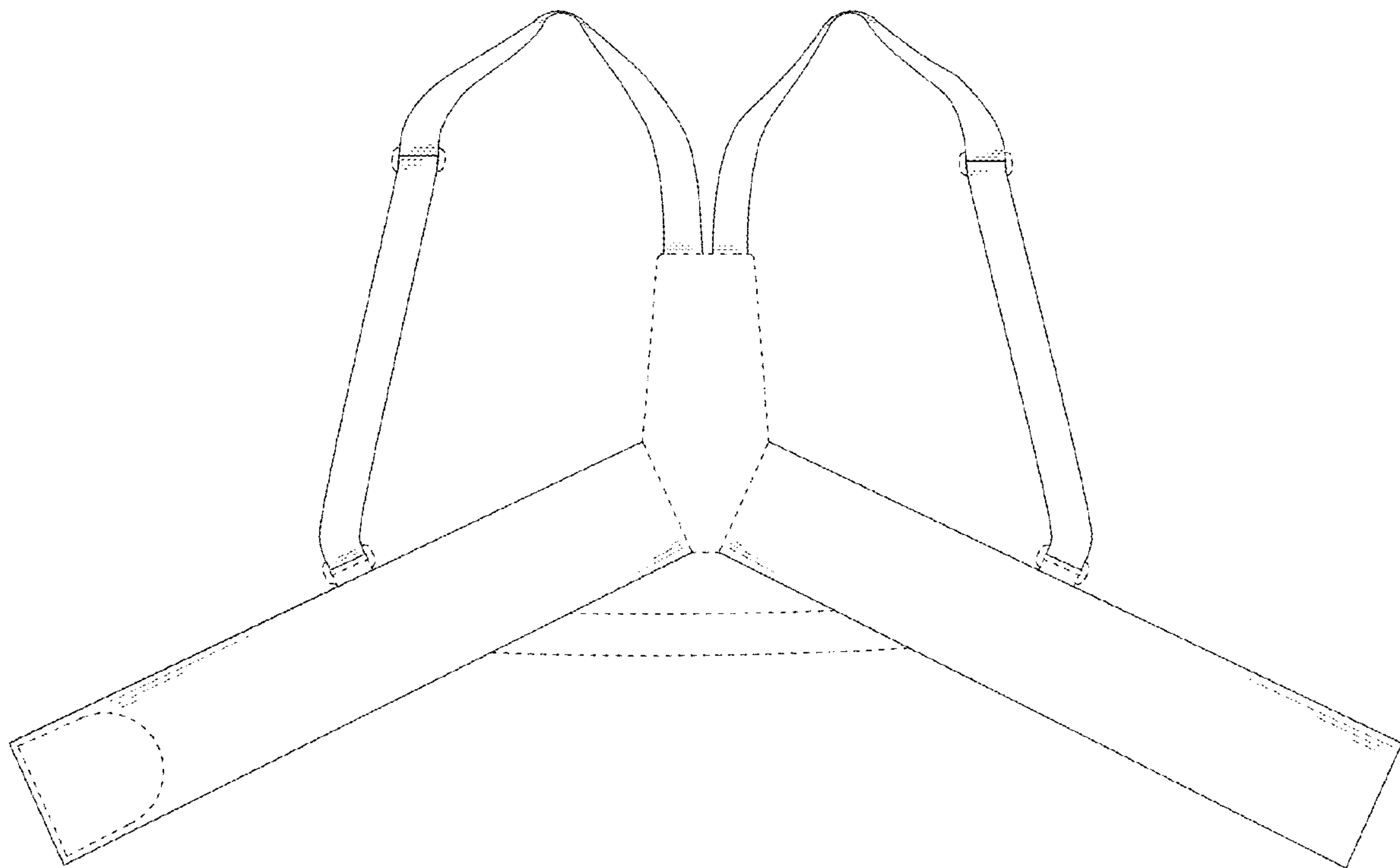


FIG. 3

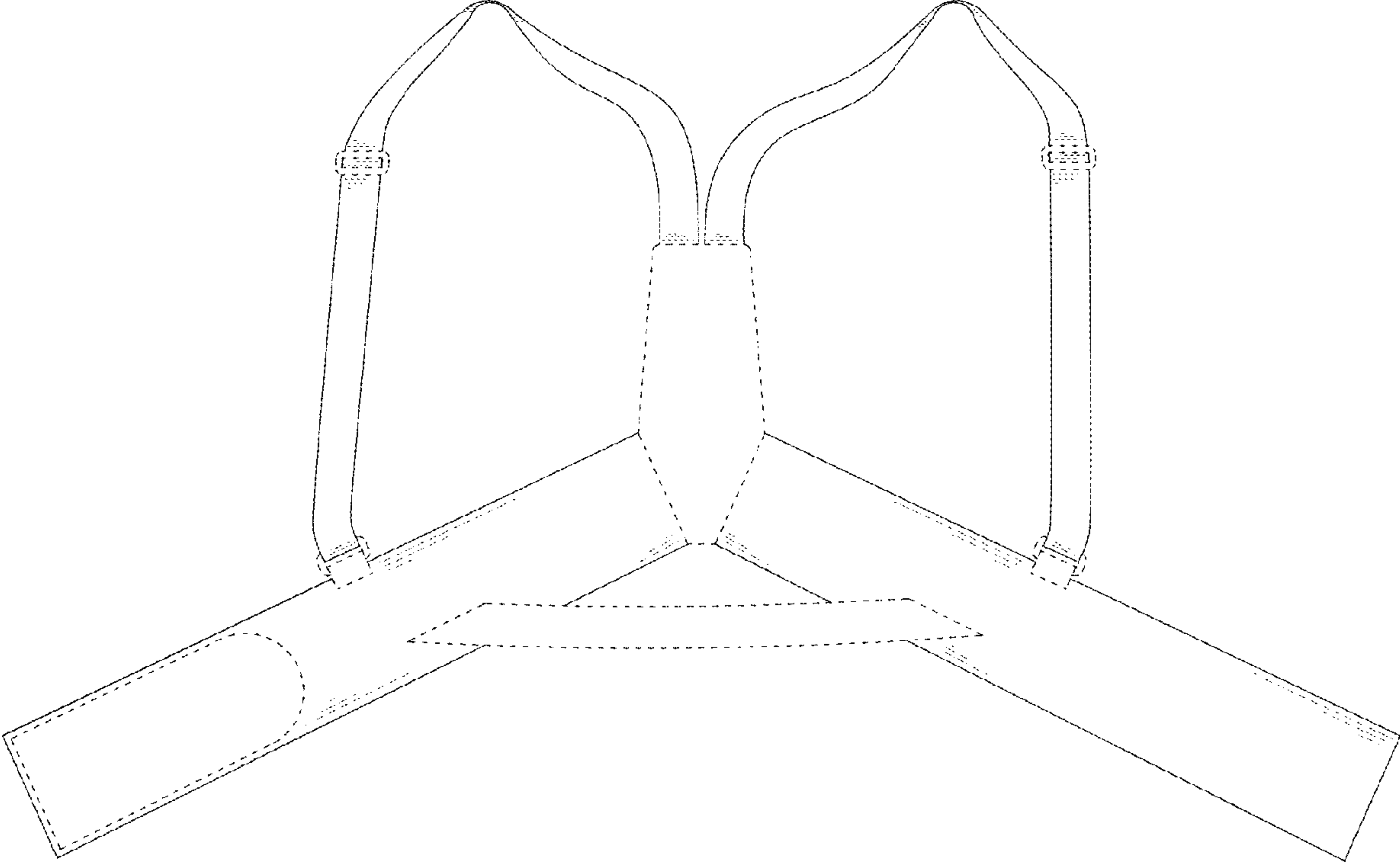


FIG. 4