



US00D911530S

(12) **United States Design Patent**  
**Gras et al.**

(10) **Patent No.:** **US D911,530 S**

(45) **Date of Patent:** **\*\* Feb. 23, 2021**

(54) **SLEEVE FOR ULTRASONIC HANDPIECE**

(71) Applicant: **Stryker European Holdings I, LLC**,  
Kalamazoo, MI (US)

(72) Inventors: **Guillaume Gras**, Muenchenbuchsee  
(CH); **Cathal Heavey**, Middleton (IE);  
**Megan James**, Portage, MI (US);  
**Conor McCarthy**, Cork (IE)

(73) Assignee: **Stryker European Holdings I, LLC**,  
Kalamazoo, MI (US)

(\*\*) Term: **15 Years**

(21) Appl. No.: **29/664,332**

(22) Filed: **Sep. 24, 2018**

(51) **LOC (13) Cl.** ..... **24-02**

(52) **U.S. Cl.**  
USPC ..... **D24/187**

(58) **Field of Classification Search**  
USPC ..... D24/107, 133, 144, 158, 186–187, 200;  
D10/60, 78, 80, 103  
CPC ..... A61B 17/320068; A61M 1/0086  
See application file for complete search history.

(56) **References Cited**

**U.S. PATENT DOCUMENTS**

D320,078 S *	9/1991	Terwilliger	.....	D24/138
6,214,017 B1	4/2001	Stoddard et al.		
D665,909 S *	8/2012	Dodd	.....	D24/146
D671,644 S *	11/2012	Dodd	.....	D24/146
D699,347 S *	2/2014	Dodd	.....	D24/146
D723,686 S *	3/2015	Kratoska	.....	D24/144
D723,687 S *	3/2015	Kratoska	.....	D24/144
D724,234 S *	3/2015	Hagege	.....	D24/187
D743,040 S *	11/2015	Corbett, III	.....	D24/187
D787,685 S *	5/2017	Vezina	.....	D24/187
D802,777 S *	11/2017	Burachynsky	.....	D24/187
D818,594 S *	5/2018	Asai	.....	D24/187

D861,164 S *	9/2019	Pyun	.....	D24/144
D866,762 S *	11/2019	Lee	.....	D24/144
2006/0235305 A1	10/2006	Cotter et al.		

(Continued)

**FOREIGN PATENT DOCUMENTS**

WO 2018051196 A1 3/2018

*Primary Examiner* — Susan Bennett Hattan

*Assistant Examiner* — Omeed Agilee

(74) *Attorney, Agent, or Firm* — Howard & Howard  
Attorneys PLLC

(57) **CLAIM**

The ornamental design for a sleeve for an ultrasonic hand-  
piece, as shown and described.

**DESCRIPTION**

FIG. 1 is a top, rear right perspective view of a sleeve for an  
ultrasonic handpiece showing our new design within its  
environment;

FIG. 2 is a top, rear right perspective view of the sleeve for  
an ultrasonic handpiece;

FIG. 3 is a top, rear left perspective view thereof;

FIG. 4 is a bottom, rear right perspective view thereof;

FIG. 5 is a bottom, rear left perspective view thereof;

FIG. 6 is a top, front right perspective view thereof;

FIG. 7 is a top, front left perspective view thereof;

FIG. 8 is a bottom, front right perspective view thereof;

FIG. 9 is a bottom, front left perspective view thereof;

FIG. 10 is a rear end view thereof;

FIG. 11 is a front end view thereof;

FIG. 12 is a left side elevational view thereof;

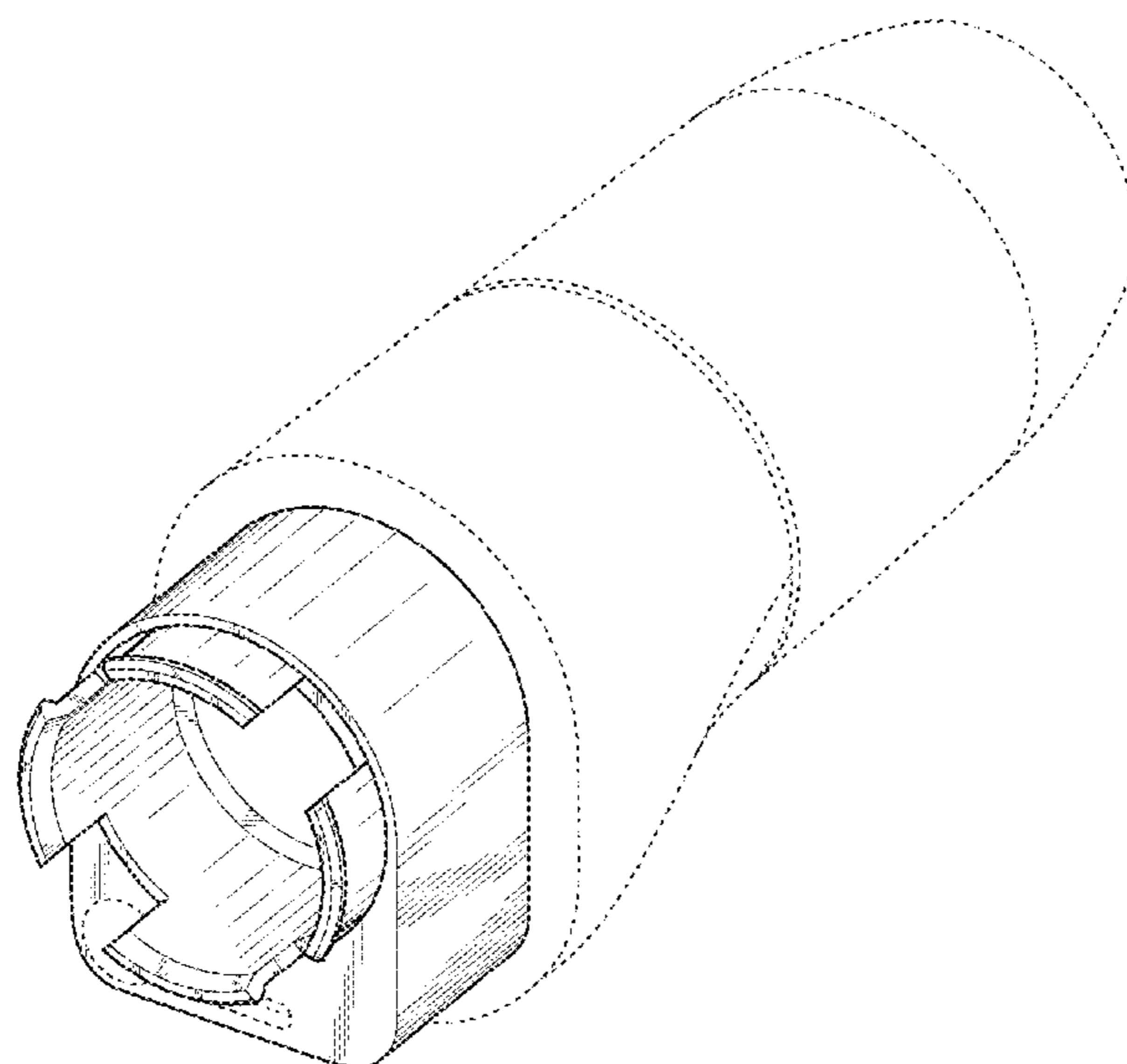
FIG. 13 is a right side elevational view thereof;

FIG. 14 is a top plan view thereof; and,

FIG. 15 is a bottom plan view thereof.

The broken lines shown in the figures depict portions of the  
sleeve for an ultrasonic handpiece that form no part of the  
claimed design. The additional broken lines shown in FIG.  
1 depict environmental subject matter and form no part of  
the claimed design.

**1 Claim, 9 Drawing Sheets**



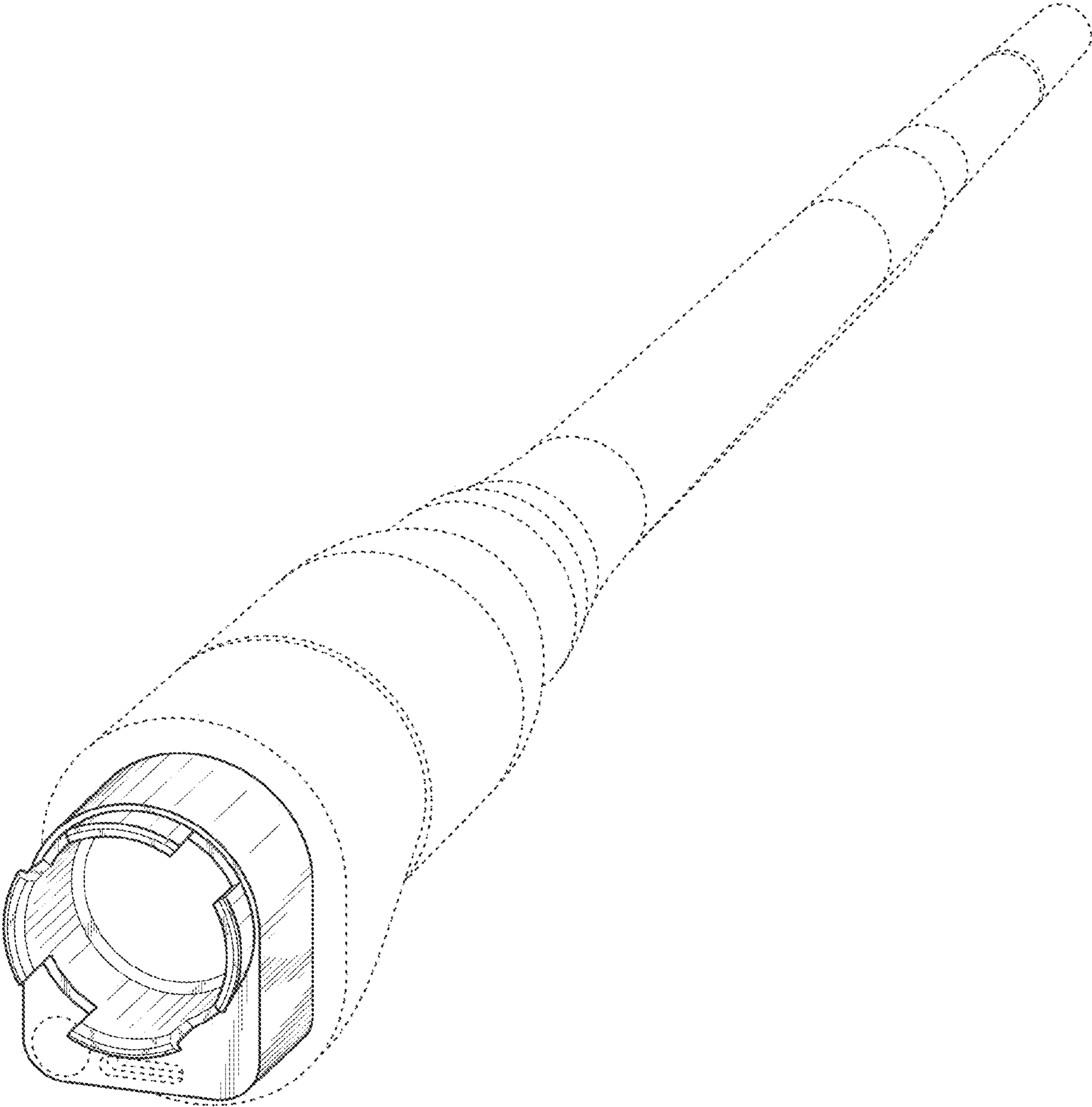
(56)

**References Cited**

U.S. PATENT DOCUMENTS

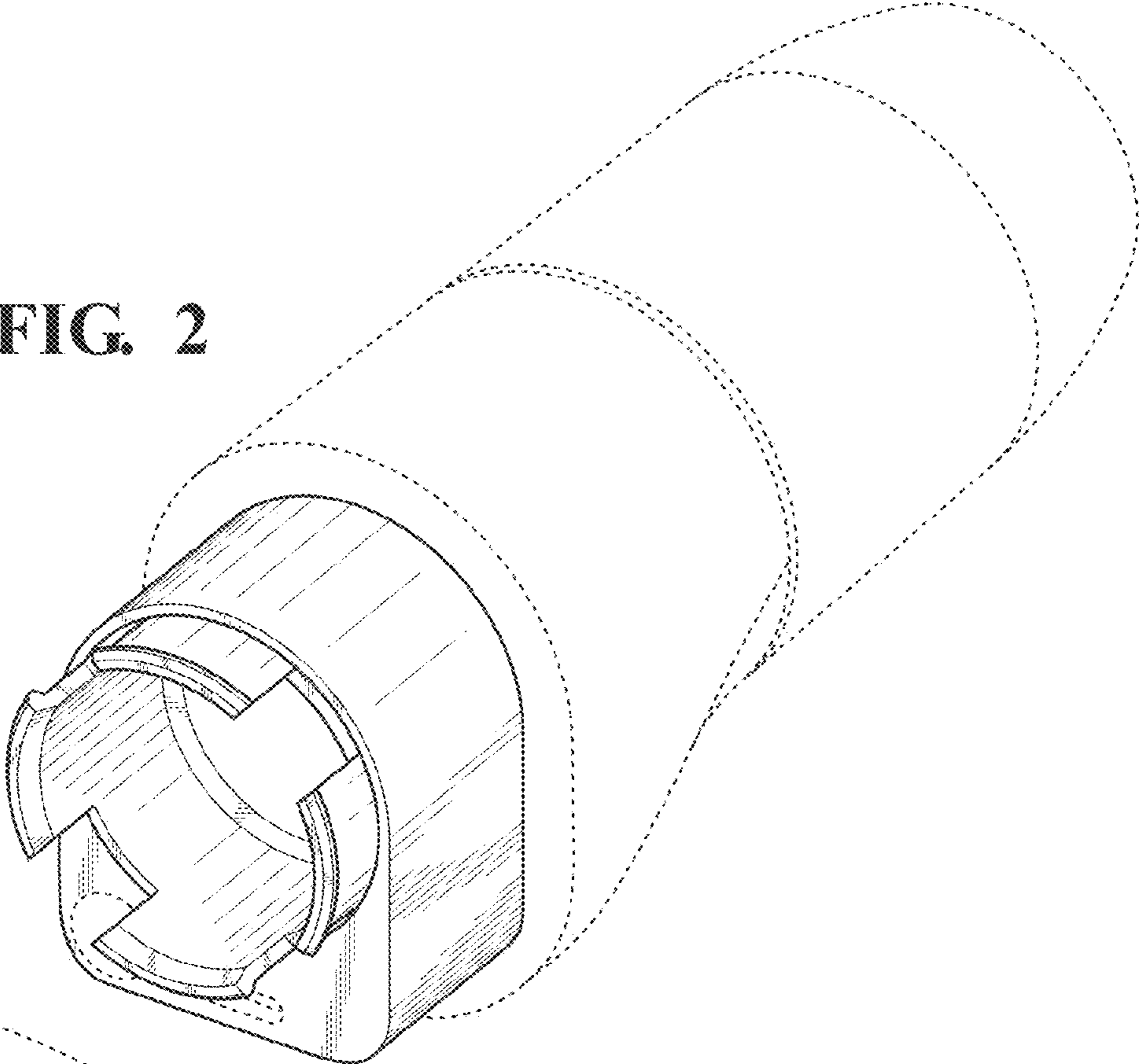
2016/0331397 A1\* 11/2016 Parham ..... A61B 17/320068  
2017/0007852 A1\* 1/2017 Isola ..... A61L 2/07  
2017/0304655 A1 10/2017 Cotter et al.  
2017/0333606 A1 11/2017 Manandhar et al.  
2018/0132885 A1 5/2018 Cotter et al.

\* cited by examiner

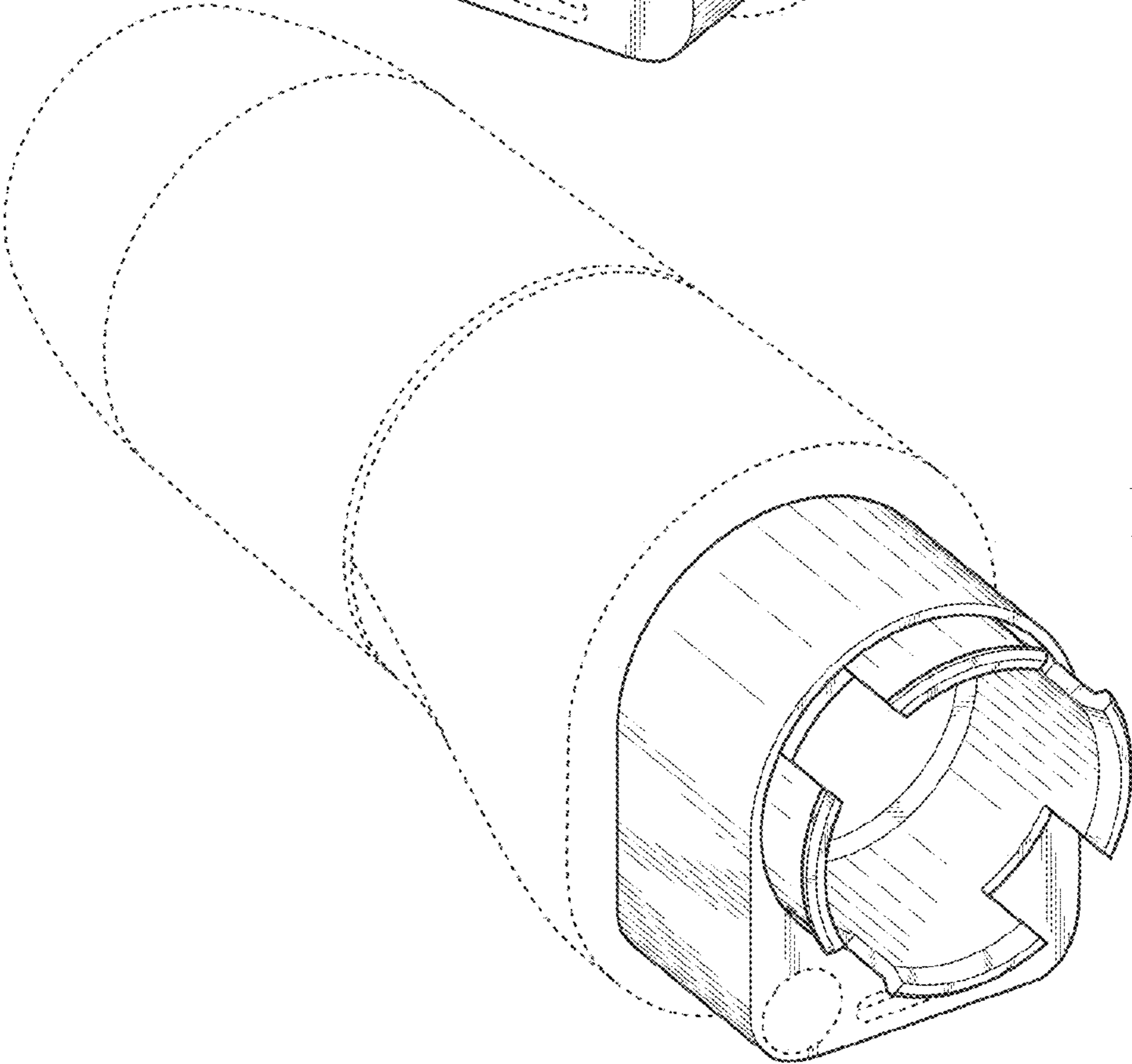


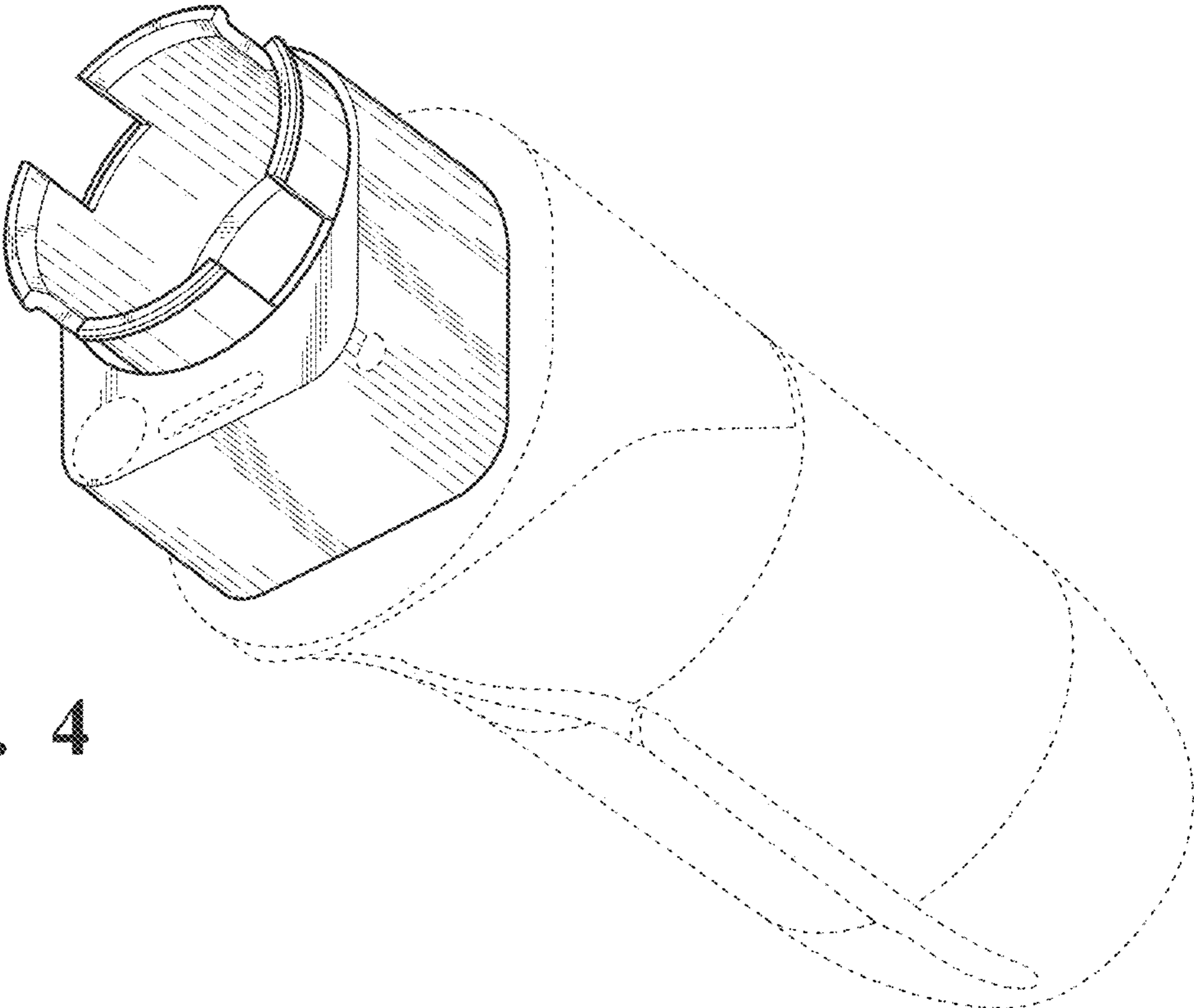
**FIG. 1**

**FIG. 2**

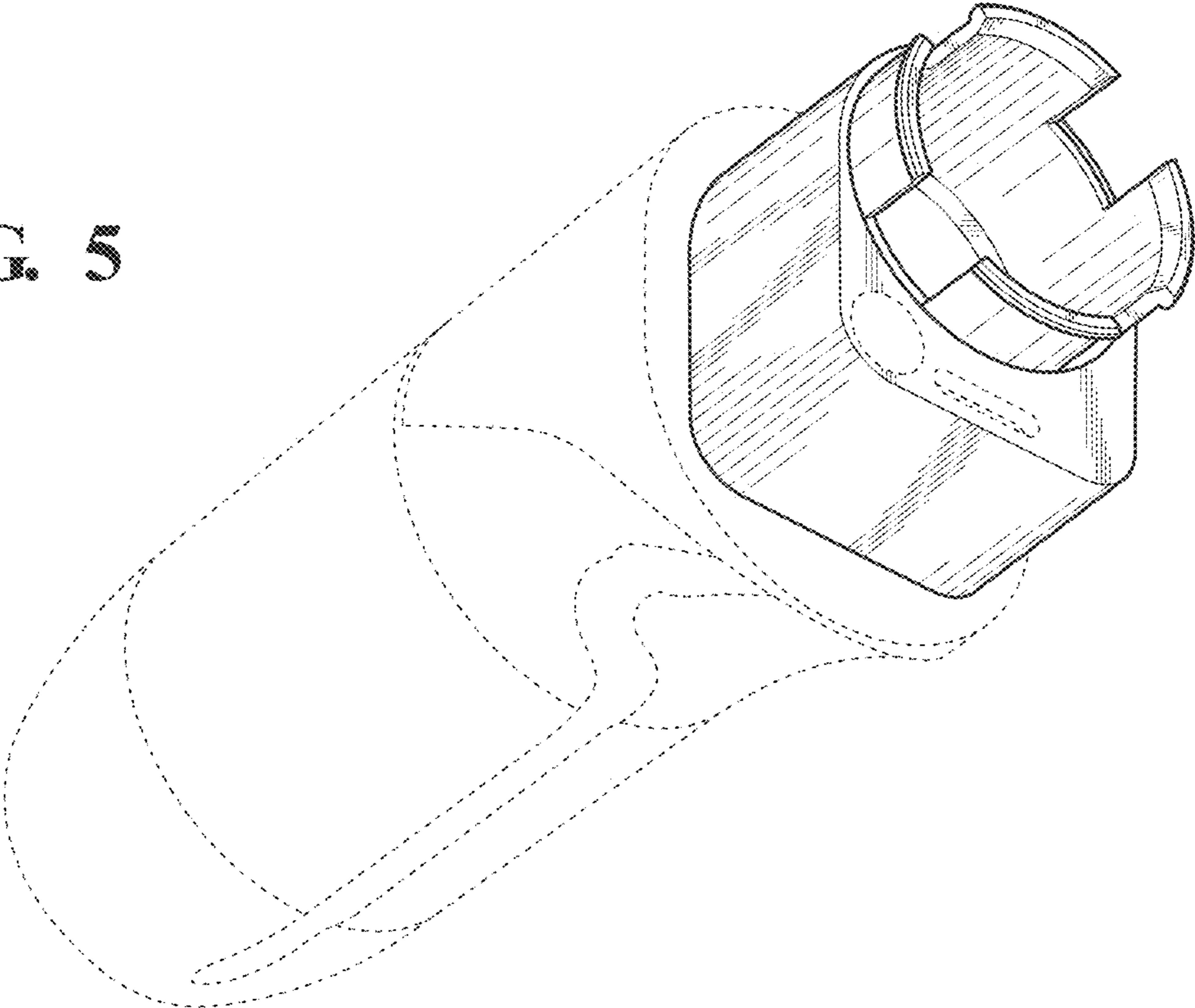


**FIG. 3**



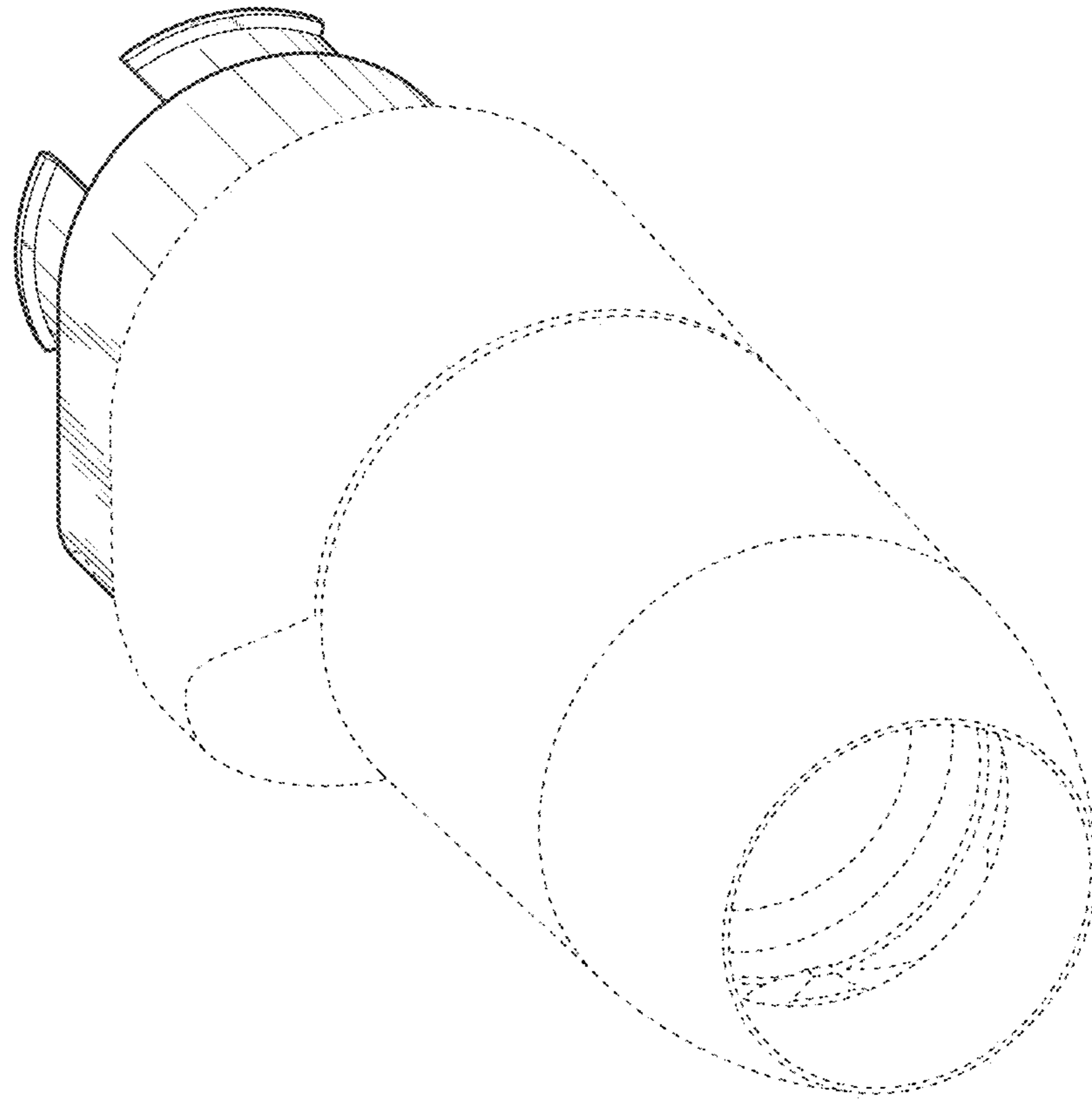


**FIG. 4**

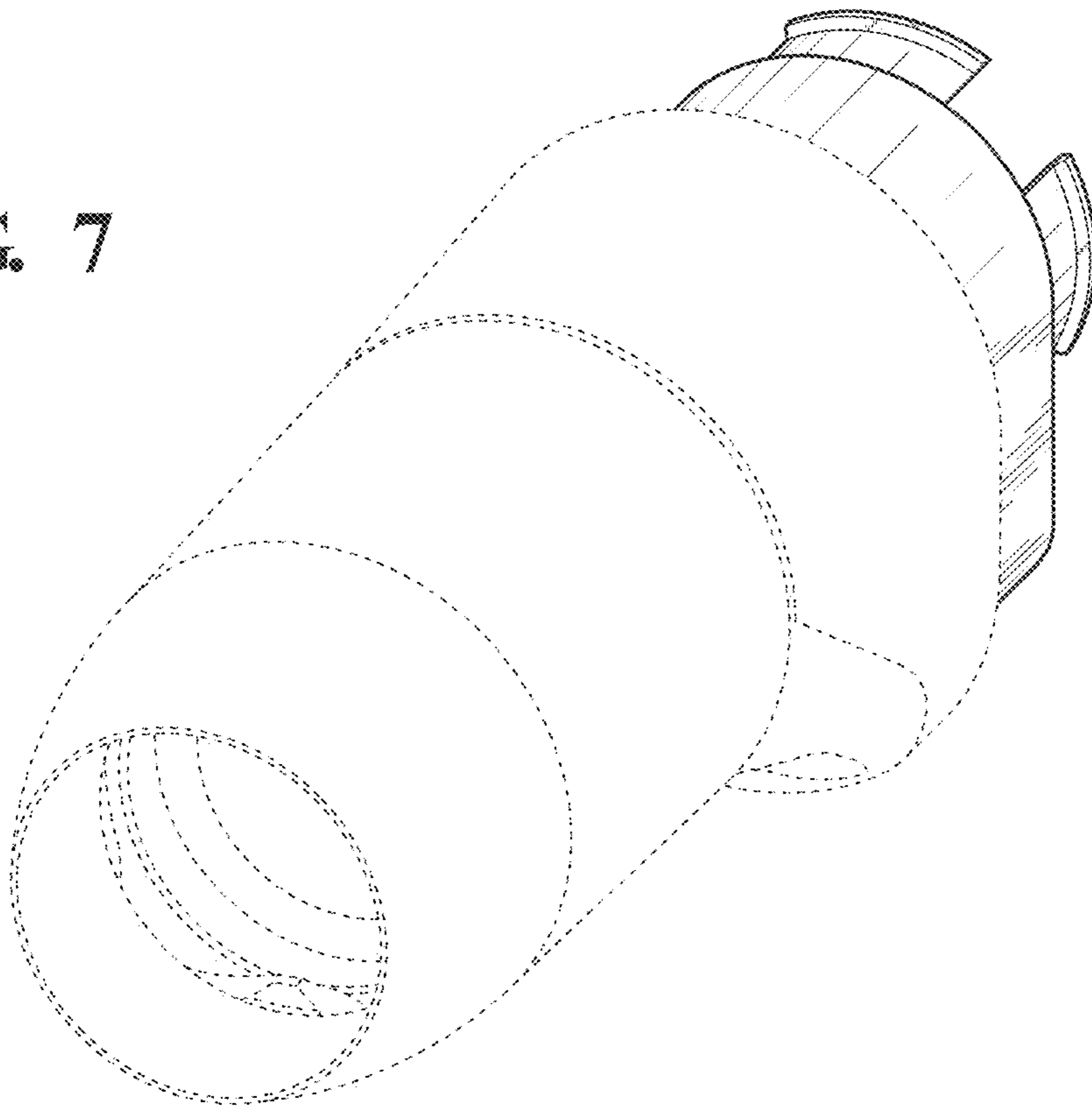


**FIG. 5**

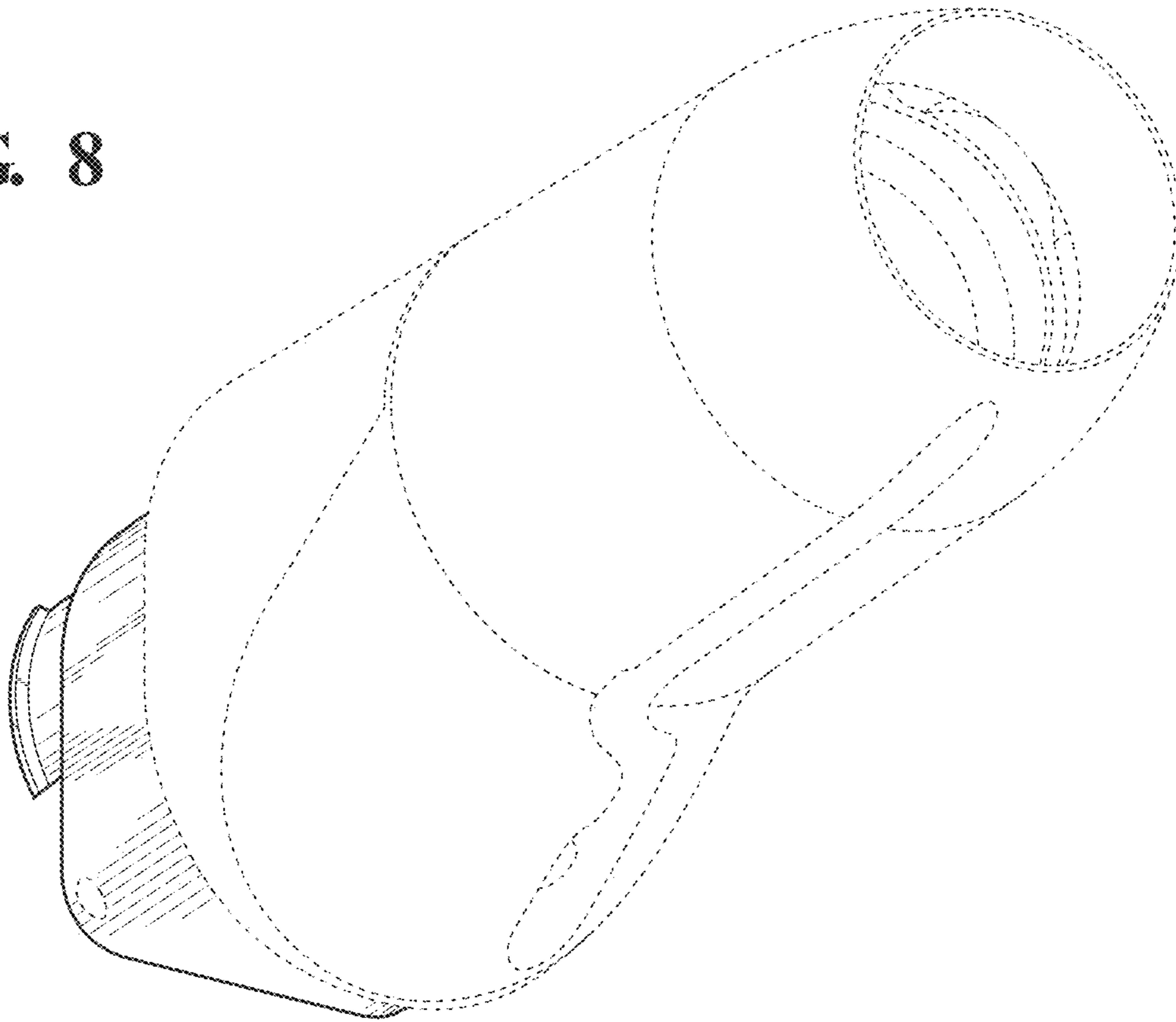
**FIG. 6**



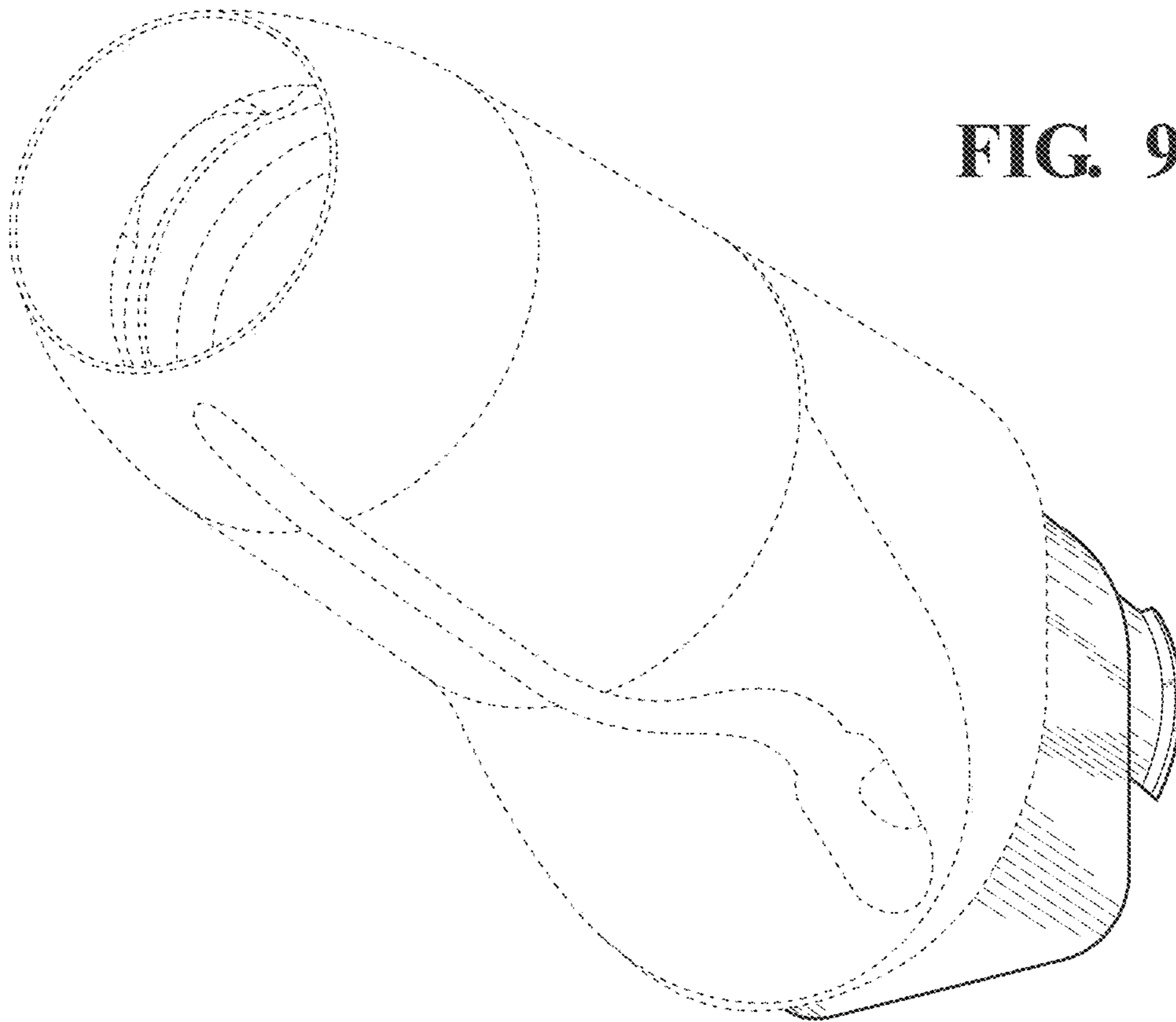
**FIG. 7**

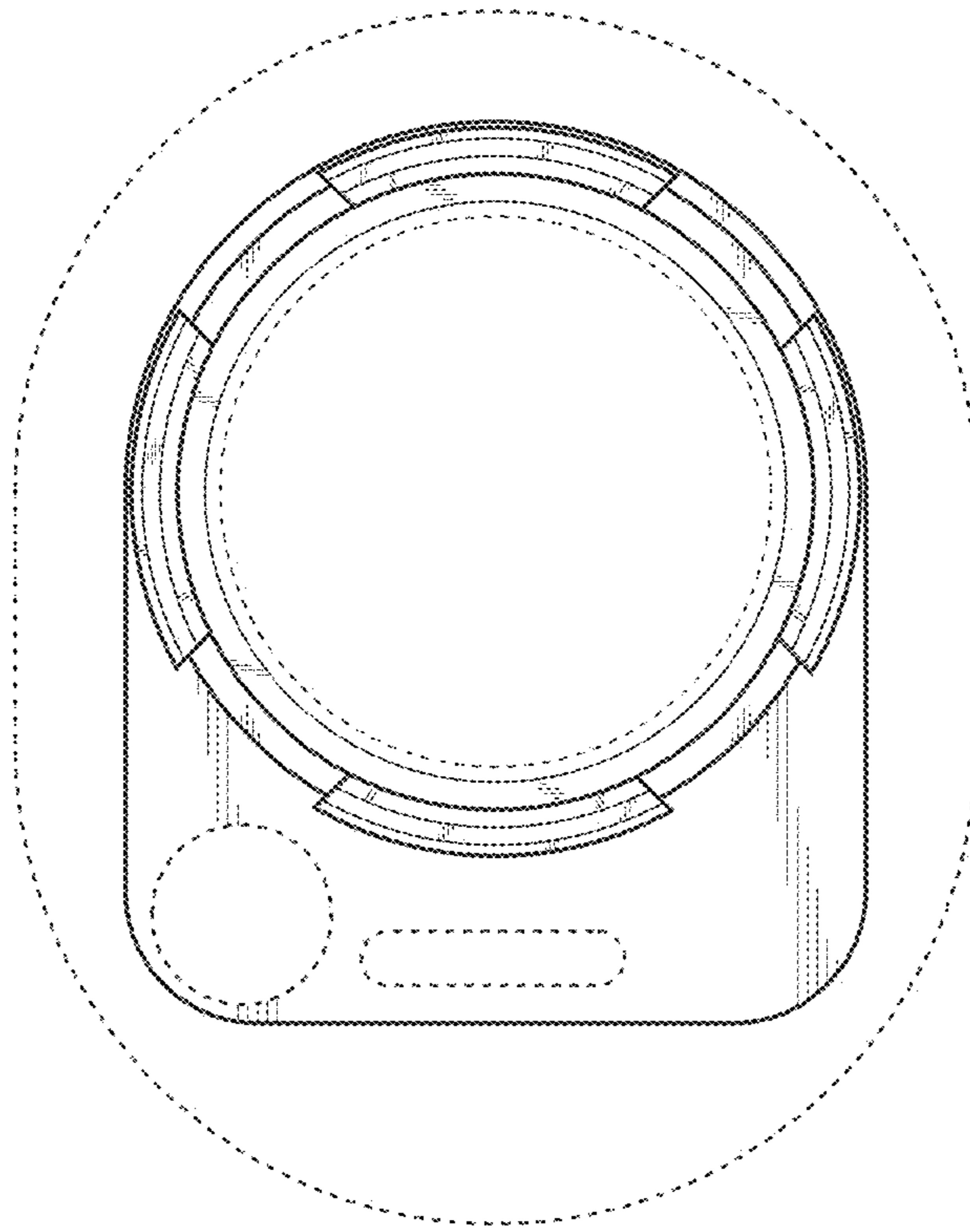


**FIG. 8**

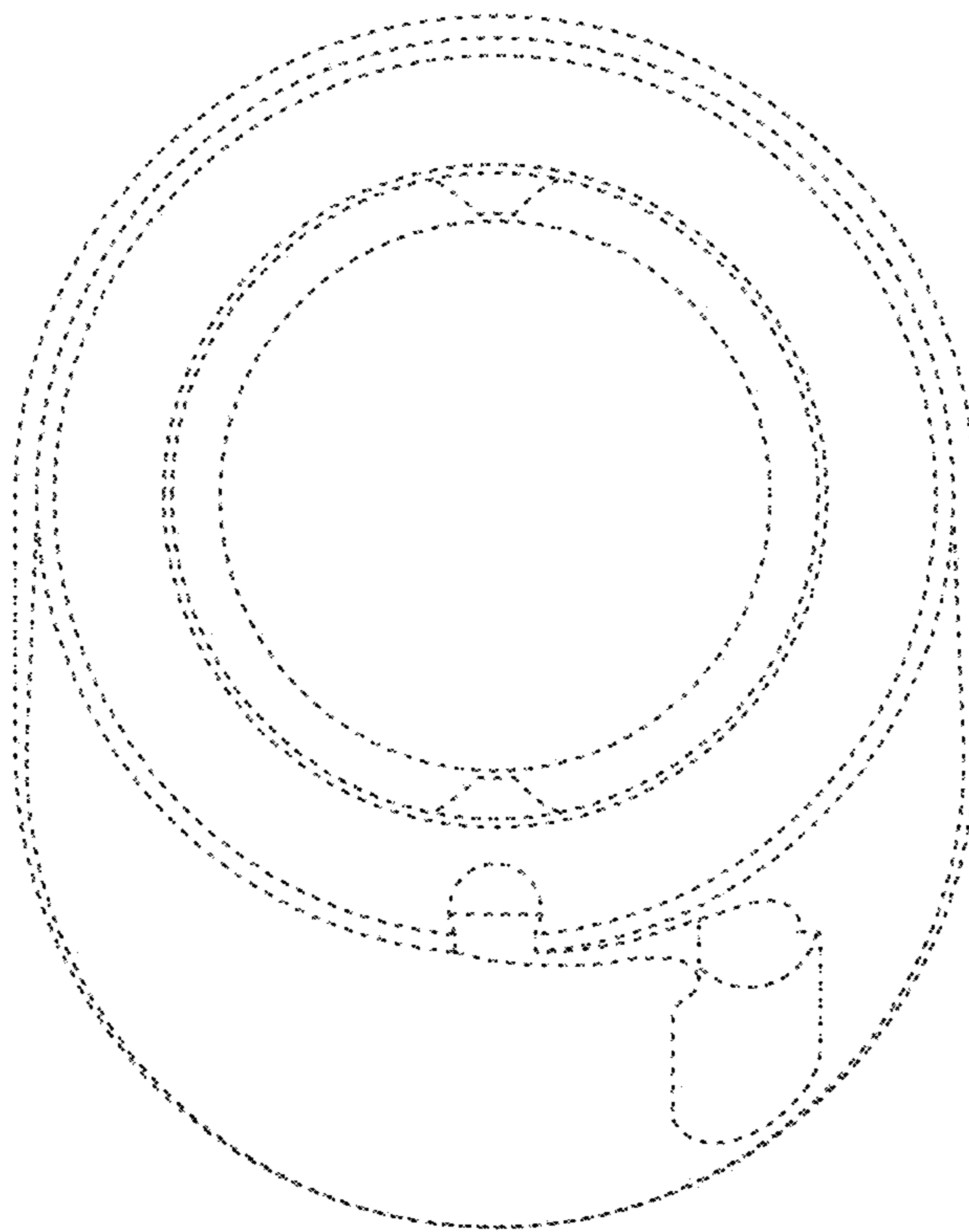


**FIG. 9**





**FIG. 10**



**FIG. 11**



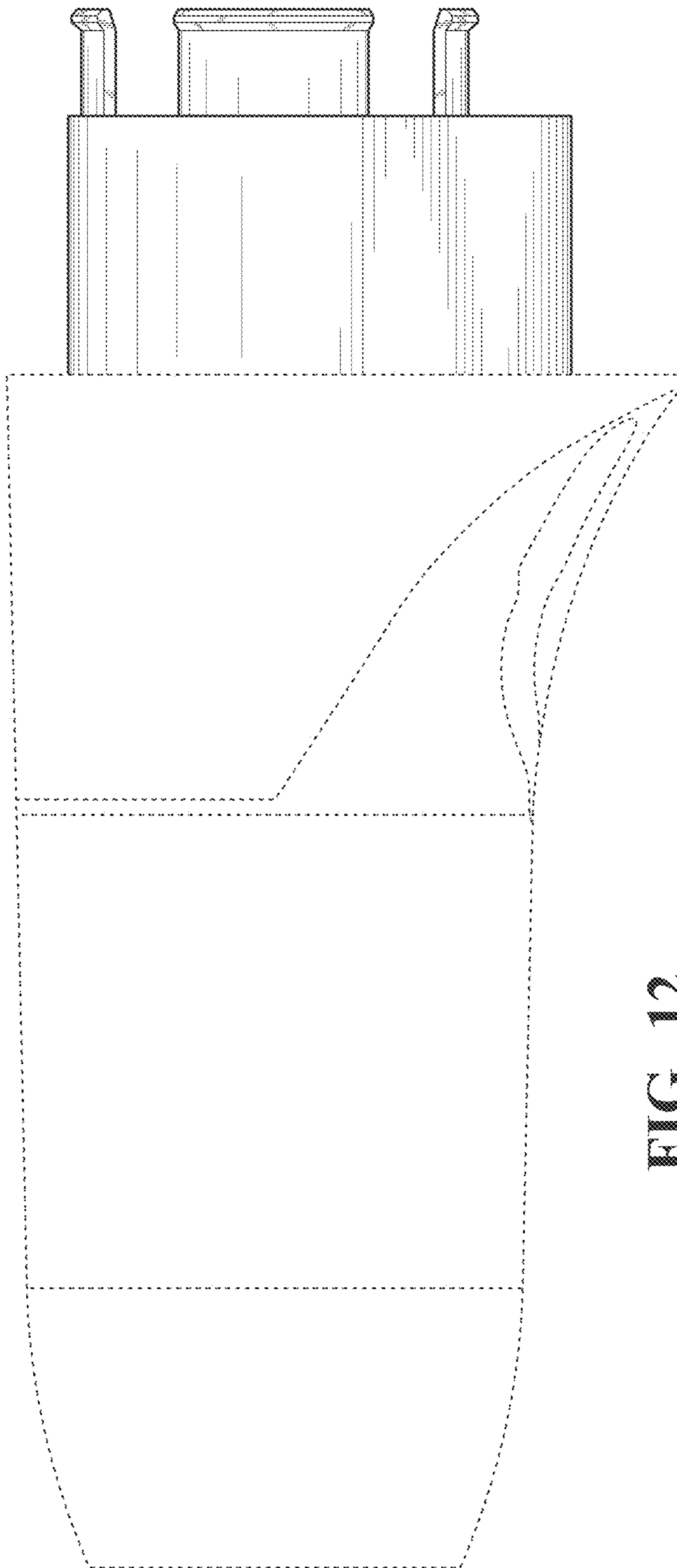


FIG. 12

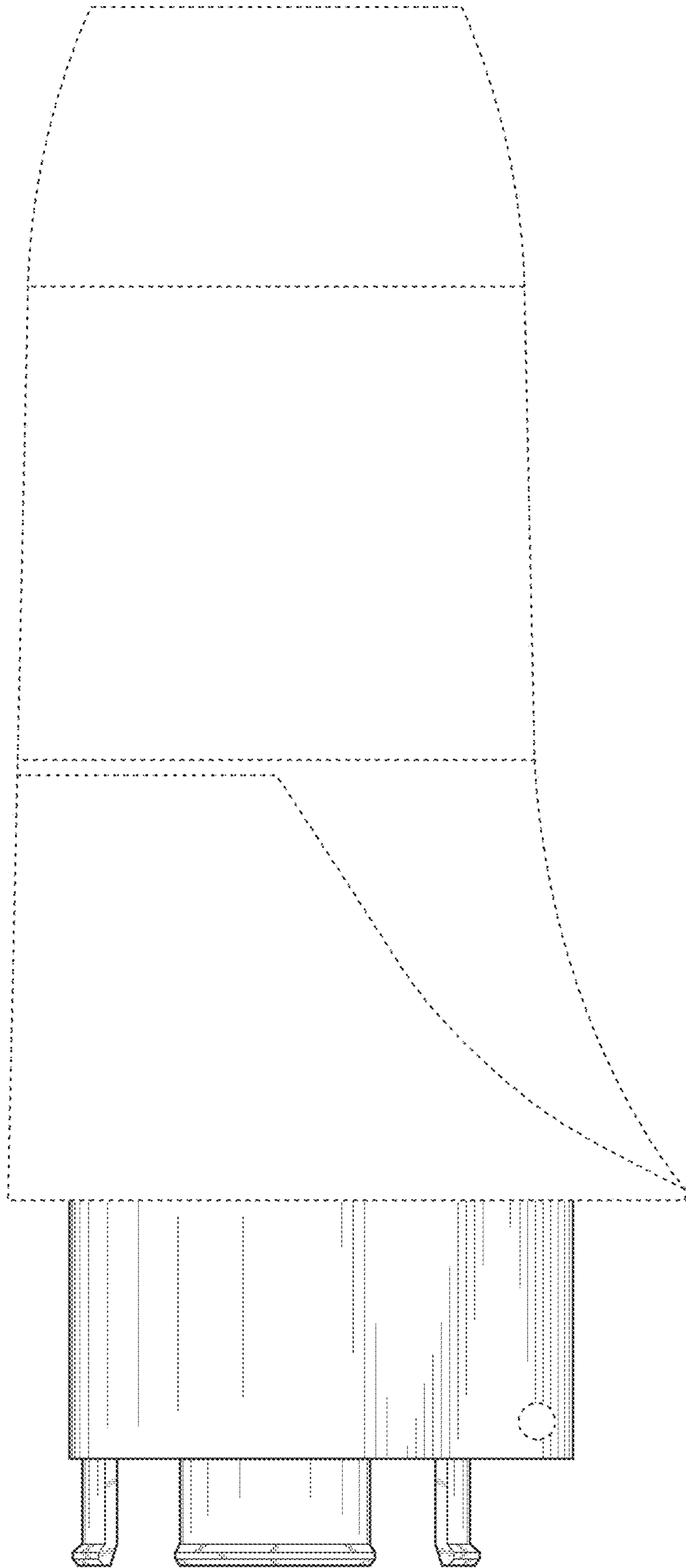


FIG. 13

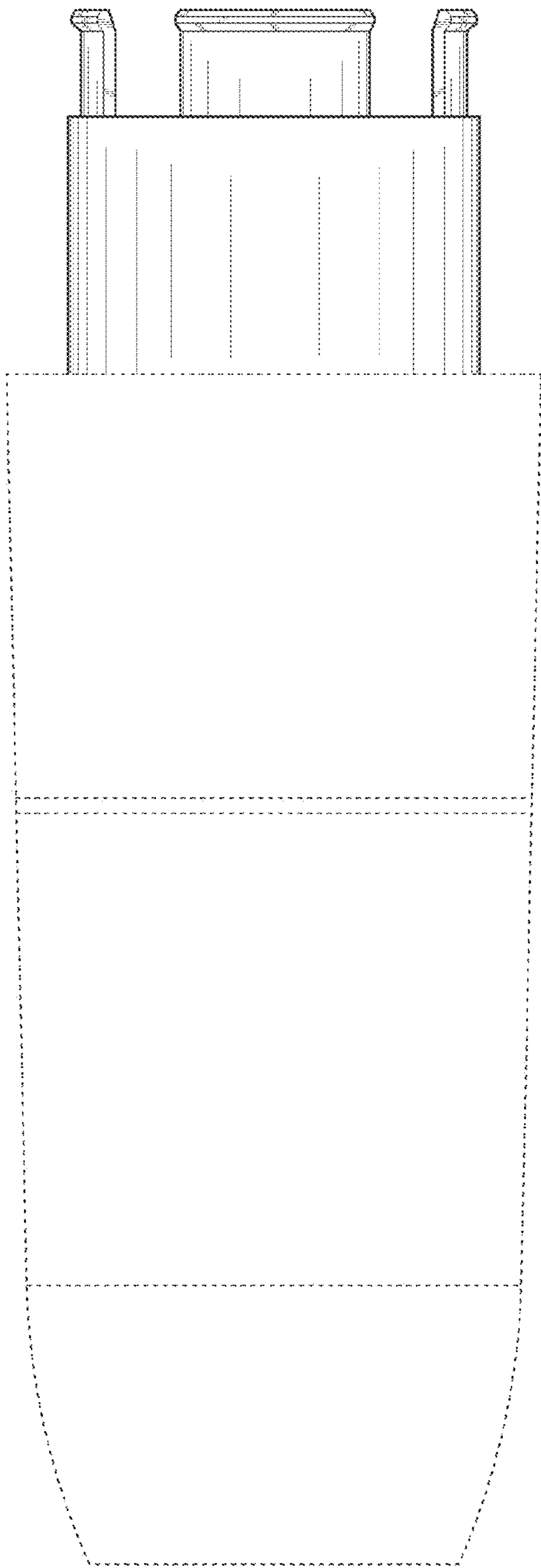


FIG. 14

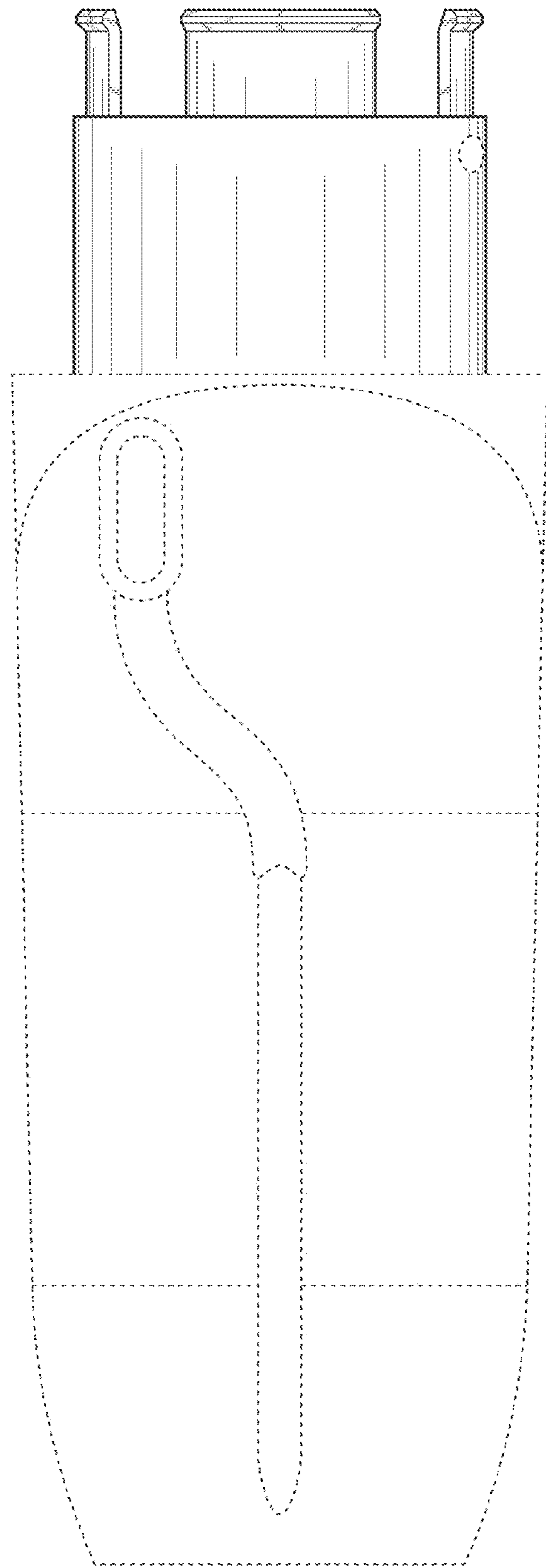


FIG. 15