



US00D911528S

(12) **United States Design Patent** (10) **Patent No.:** **US D911,528 S**  
**Sun et al.** (45) **Date of Patent:** **\*\* Feb. 23, 2021**

(54) **PATIENT TABLE**

(71) Applicant: **Siemens Healthcare GmbH**, Erlangen (DE)

(72) Inventors: **Tao Sun**, Shanghai (CN); **Gerben Ten Cate**, Forchheim (DE); **Moritz Ludwig Graefelfing** (DE); **Sichao Jin**, Shanghai (CN)

(73) Assignee: **Siemens Healthcare GmbH**, Erlangen (DE)

(\*\*) Term: **15 Years**

(21) Appl. No.: **29/668,020**

(22) Filed: **Oct. 26, 2018**

(30) **Foreign Application Priority Data**

Apr. 28, 2018 (CN) ..... 201830188677.1

(51) **LOC (13) Cl.** ..... **24-02**

(52) **U.S. Cl.**  
USPC ..... **D24/183**

(58) **Field of Classification Search**  
USPC ..... D24/107, 158–161, 183–186; D6/691  
CPC ..... A61B 6/0457; A61B 6/4447; A61B 6/484;  
A61B 6/0407; A61B 6/0428; A61G  
2210/50

See application file for complete search history.

(56) **References Cited**

U.S. PATENT DOCUMENTS

3,982,741 A \* 9/1976 Mitchell ..... A61G 7/015  
5/614  
D439,670 S \* 3/2001 Sommer ..... D24/183  
D630,330 S \* 1/2011 Baba ..... D24/159  
D681,208 S \* 4/2013 Ninomiya ..... D24/159  
D701,605 S \* 3/2014 Ohmukai ..... D24/183  
D727,509 S \* 4/2015 Tan ..... D24/159  
D735,864 S \* 8/2015 Doerre ..... D24/159

D736,934 S \* 8/2015 Kim ..... D24/183  
D752,757 S \* 3/2016 Li ..... D24/159  
D770,049 S \* 10/2016 Yanagihara ..... D24/159  
D774,195 S \* 12/2016 Ramos ..... D24/183  
D820,453 S \* 6/2018 Personelli ..... D24/159

(Continued)

**OTHER PUBLICATIONS**

ST-2200, 4-Way Patient Table. Online, published date unknown. Retrieved on Feb. 20, 2020 from URL: <http://www.syfm.co.kr/portfolio-item/st-2200/?ckattempt=1>.\*

*Primary Examiner* — Janice Hallmark

*Assistant Examiner* — Omeed Agilee

(74) *Attorney, Agent, or Firm* — Schiff Hardin LLP

(57) **CLAIM**

The ornamental design for a patient table, as shown and described.

**DESCRIPTION**

FIG. 1 is a front view of a patient table showing our new design;

FIG. 2 is a back elevational view thereof;

FIG. 3 is a top plan view thereof;

FIG. 4 is a bottom plan view thereof;

FIG. 5 is a right side elevational view thereof;

FIG. 6 is a left side elevational view thereof;

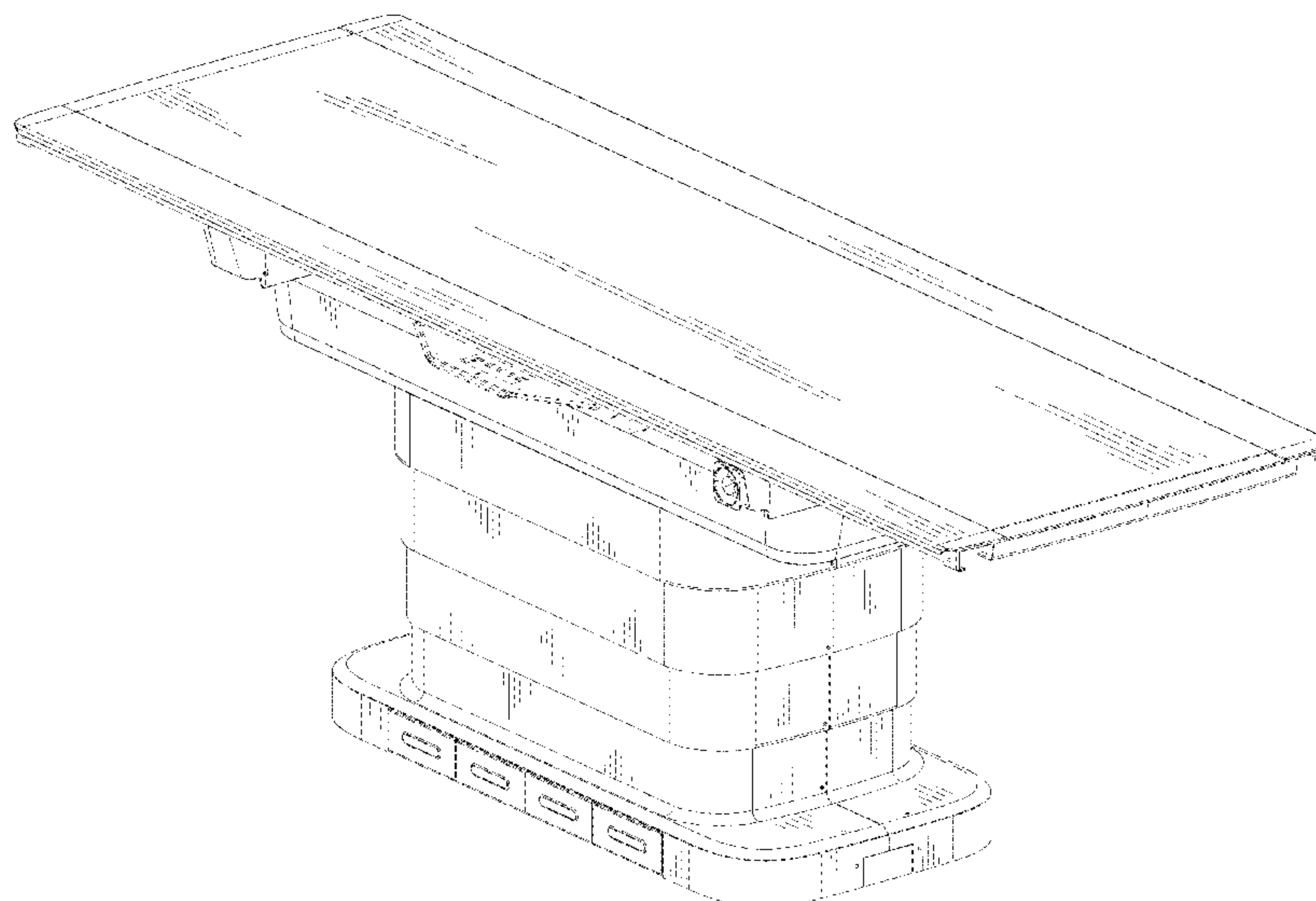
FIG. 7 is a perspective view taken generally from the upper, front, right-hand side thereof;

FIG. 8 is a perspective view taken generally from the upper, back, left-hand side thereof; and,

FIG. 9 is a perspective view of the patient table taken generally from the upper, front, right-hand side thereof showing the table surface in an alternative lateral position and the table base in a retracted position to place the table surface at an alternative height.

The broken lines shown in the drawings depict portions of the patient table that form no part of the claimed design.

**1 Claim, 8 Drawing Sheets**



(56)

**References Cited**

U.S. PATENT DOCUMENTS

D820,459	S	*	6/2018	Eenboom	.....	D24/183
D829,913	S	*	10/2018	Kitayama	.....	D24/159
D843,583	S	*	3/2019	Roth	.....	D24/159
D844,789	S	*	4/2019	Hetz	.....	D24/183
D855,185	S	*	7/2019	Chang	.....	D24/159
D861,870	S	*	10/2019	Chang	.....	D24/159
2017/0196748	A1	*	7/2017	Gaiser	.....	A61G 13/06

\* cited by examiner

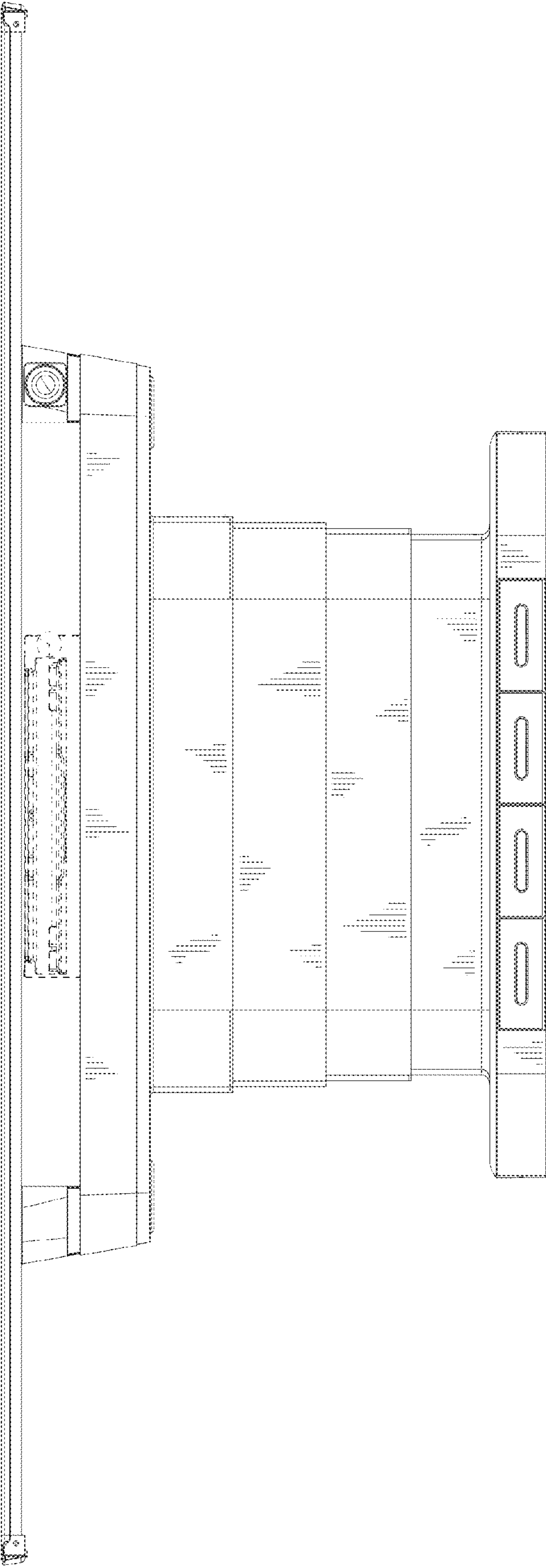


FIG. 1

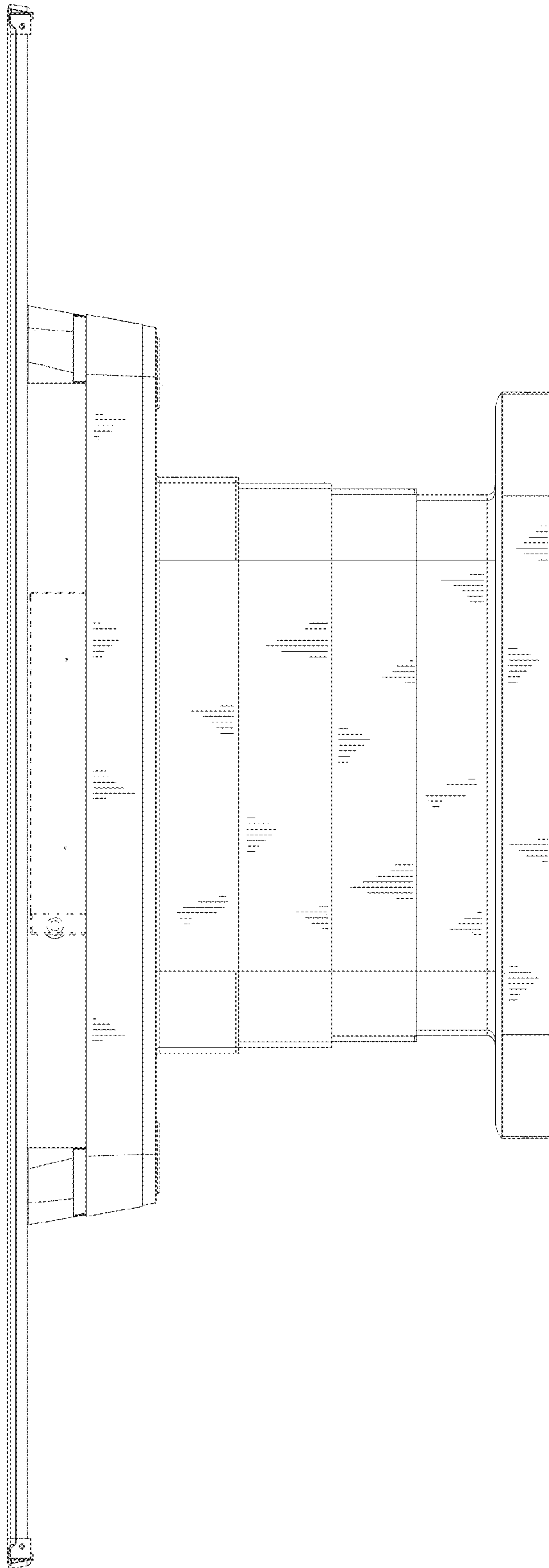


FIG. 2

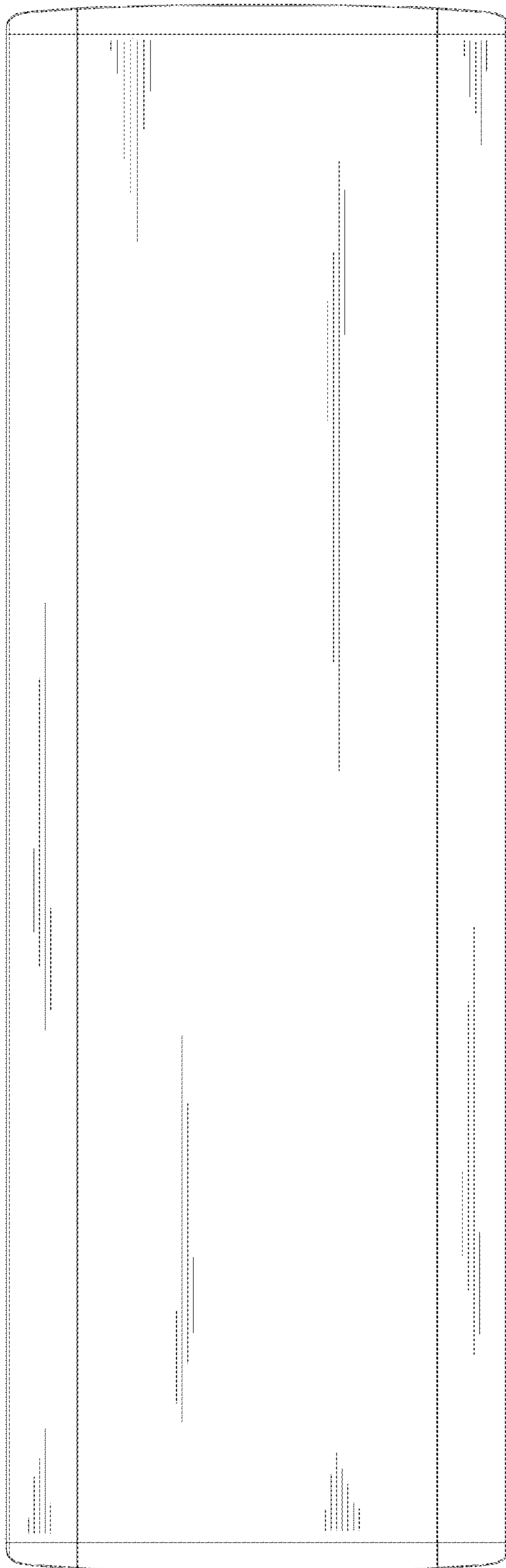


FIG. 3



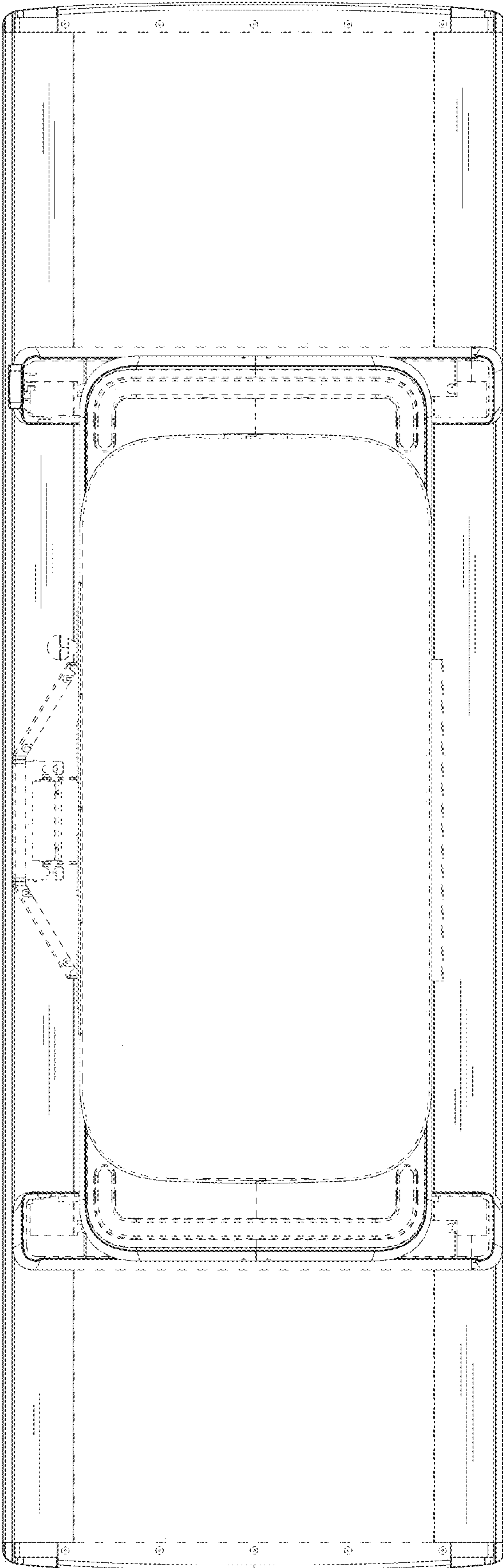


FIG. 4

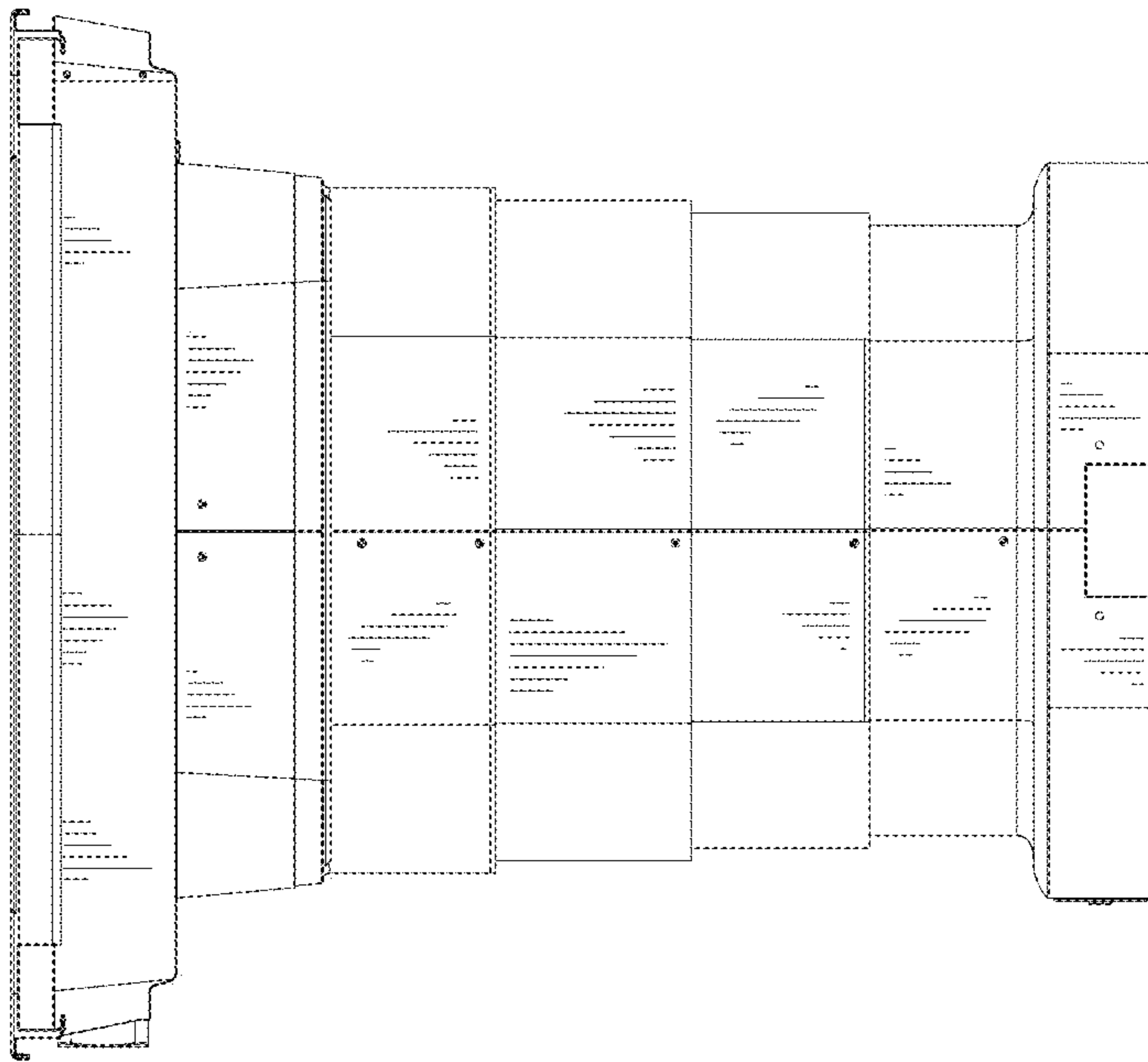
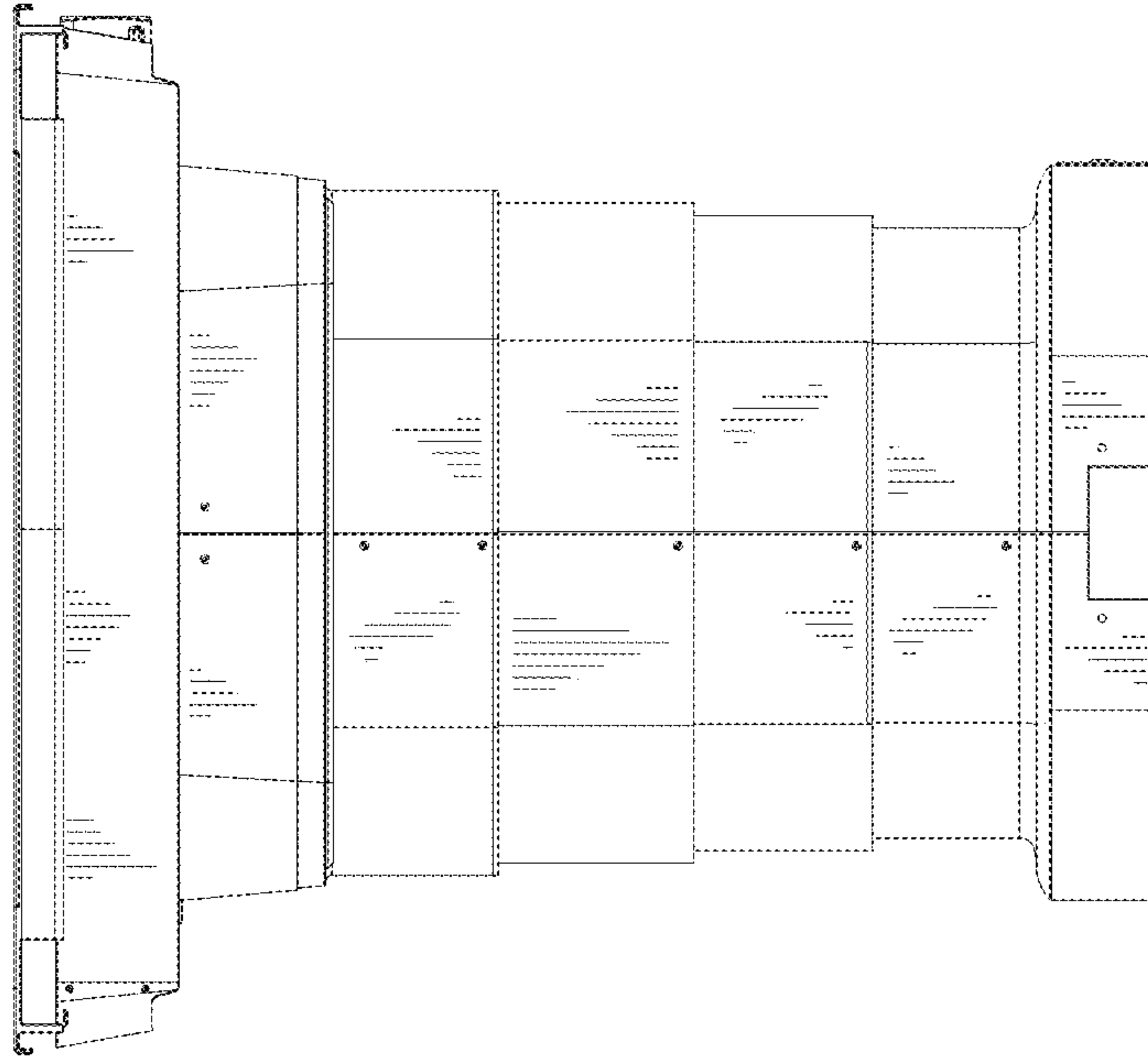


FIG. 5

FIG. 6

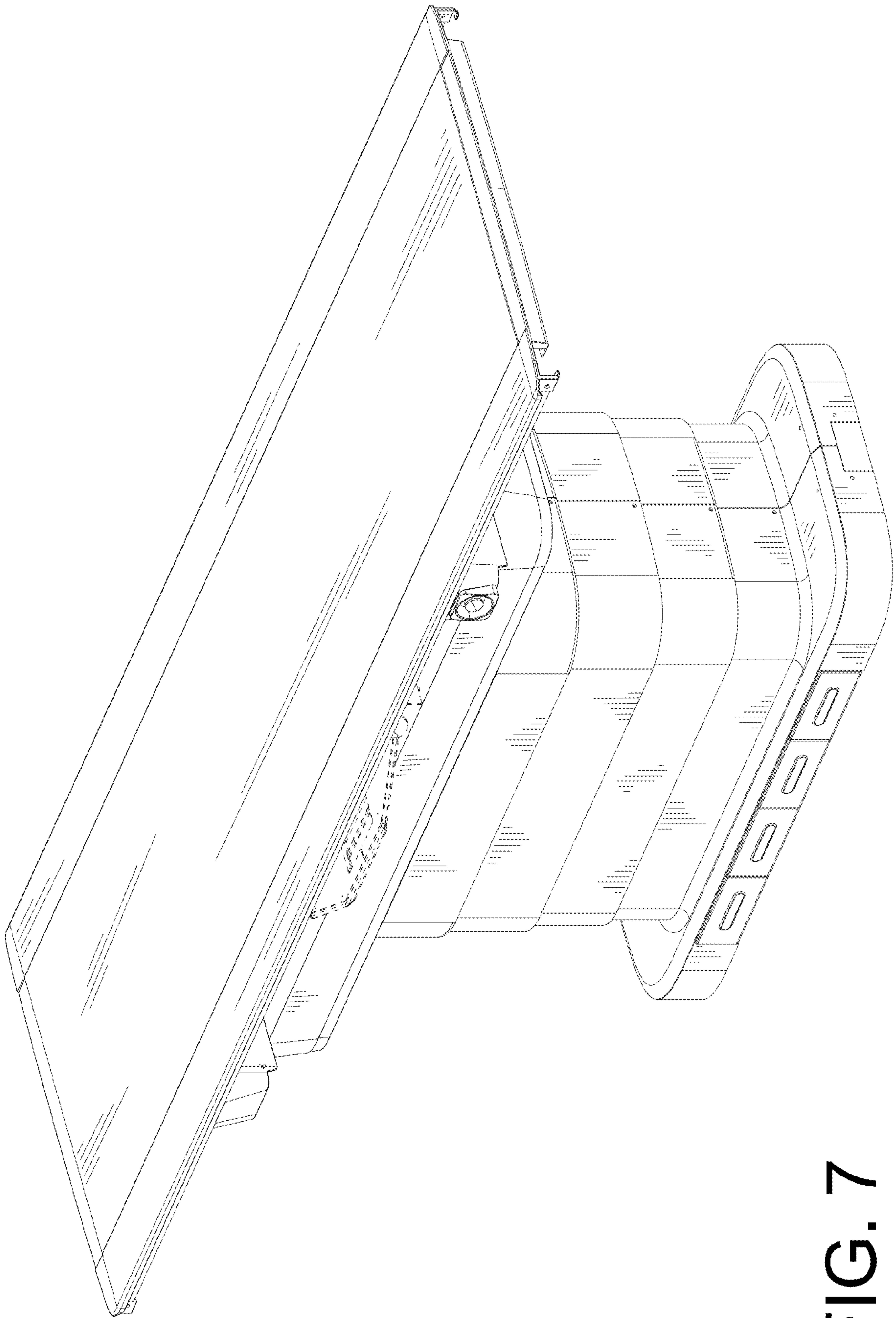


FIG. 7



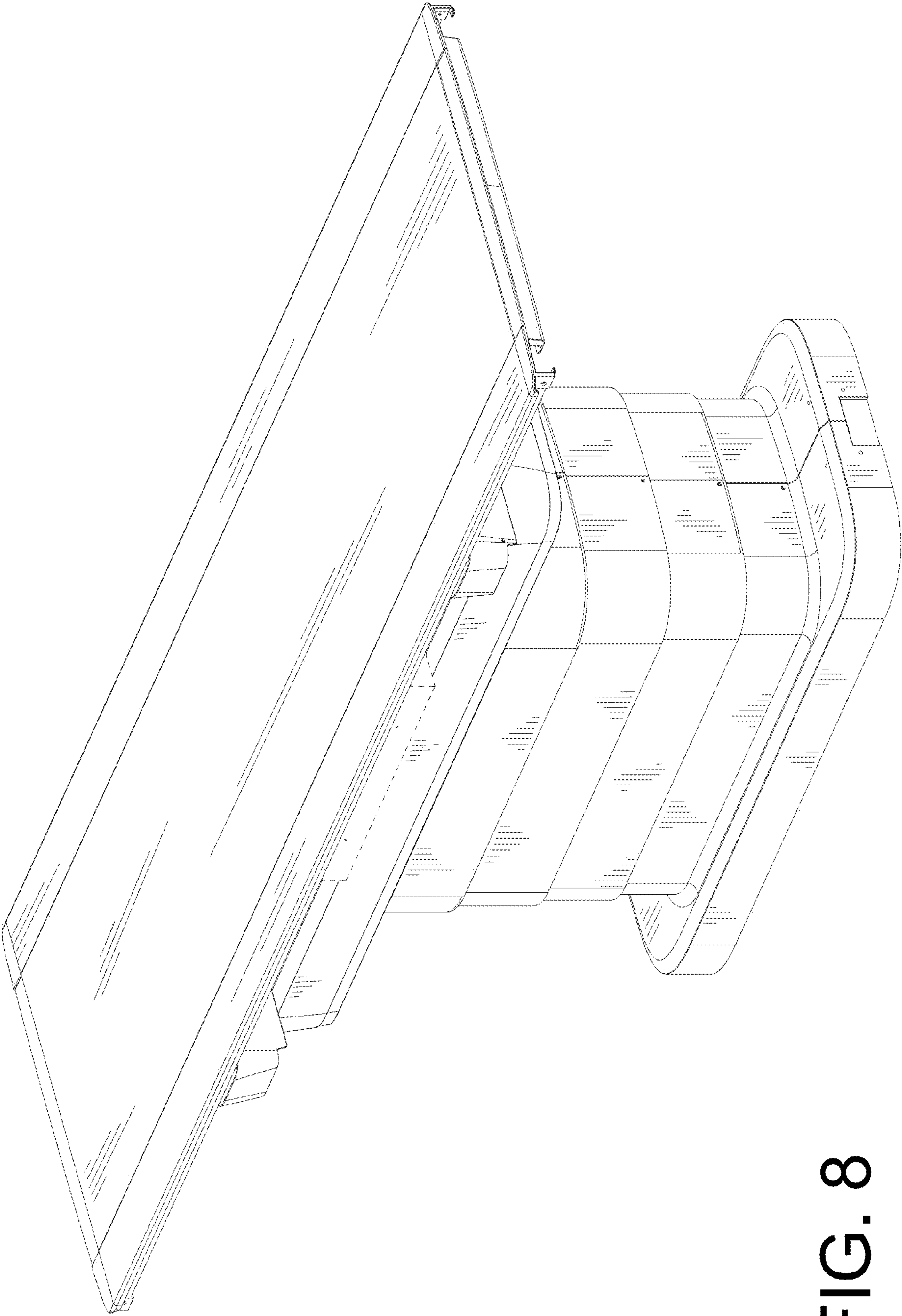


FIG. 8

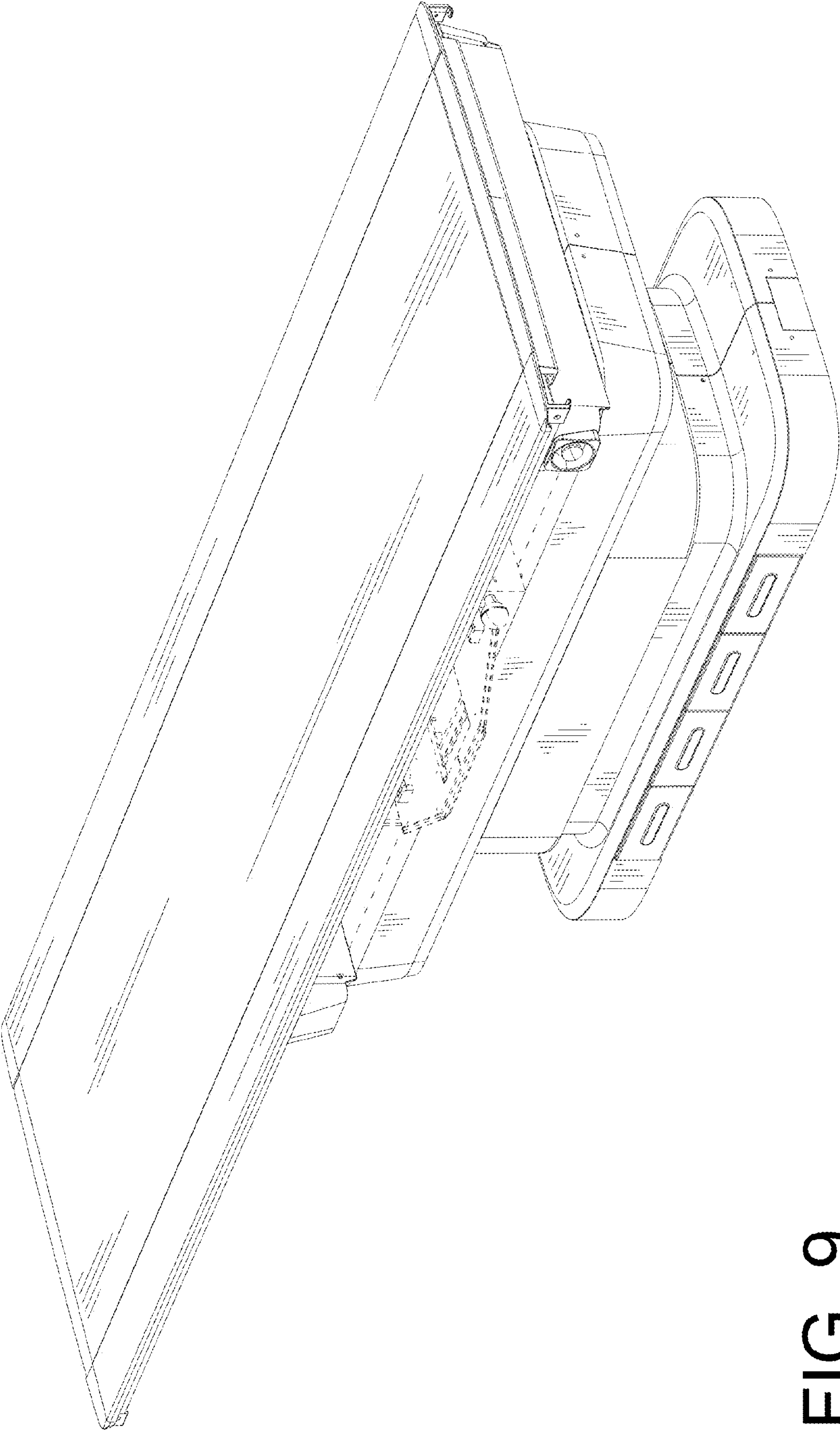


FIG. 9