



US00D911527S

(12) **United States Design Patent** (10) **Patent No.:** **US D911,527 S**
Piha et al. (45) **Date of Patent:** **** Feb. 23, 2021**

(54) **WEARABLE CARIOVERTER
DEFIBRILLATOR CONNECTOR**

- (71) Applicant: **West Affum Holdings Corp.**, Grand Cayman (KY)
- (72) Inventors: **Daniel R. Piha**, Bellevue, WA (US); **Robert R. Buchanan**, Redmond, WA (US); **Dallas E. Meeker**, Bothell, WA (US); **Douglas K. Medema**, Everett, WA (US); **Quan H. Nguyen**, Renton, WA (US)
- (73) Assignee: **West Affum Holdings Corp.**, Grand Cayman (KY)
- (**) Term: **15 Years**
- (21) Appl. No.: **29/680,481**
- (22) Filed: **Feb. 15, 2019**

Related U.S. Application Data

- (63) Continuation of application No. 16/277,838, filed on Feb. 15, 2019.
- (51) **LOC (13) Cl.** **24-01**
- (52) **U.S. Cl.**
USPC **D24/167**
- (58) **Field of Classification Search**
USPC D24/107, 164–167, 186, 187, 200;
D10/75; D13/120, 121, 147, 149, 153
(Continued)

(56) **References Cited**

U.S. PATENT DOCUMENTS

- 3,724,355 A 4/1973 Unger
 - 4,583,524 A 4/1986 Hutchins
- (Continued)

FOREIGN PATENT DOCUMENTS

- WO 1998039061 A2 9/1998
- WO 2012064604 A1 5/2012

OTHER PUBLICATIONS

Klein, H. U., Goldenberg I., & Moss, A. J., Risk Stratification for Implantable Cardioverter Defibrillator Therapy: The Role of the Wearable Cardioverter-Defibrillator, Clinical update, European Heart Journal, May 31, 2013, pp. 1-14, doi:10.1093/eurheartj/eh1167, European Society of Cardiology.

(Continued)

Primary Examiner — Anhdao Doan
(74) *Attorney, Agent, or Firm* — Christensen O'Connor Johnson Kindness PLLC

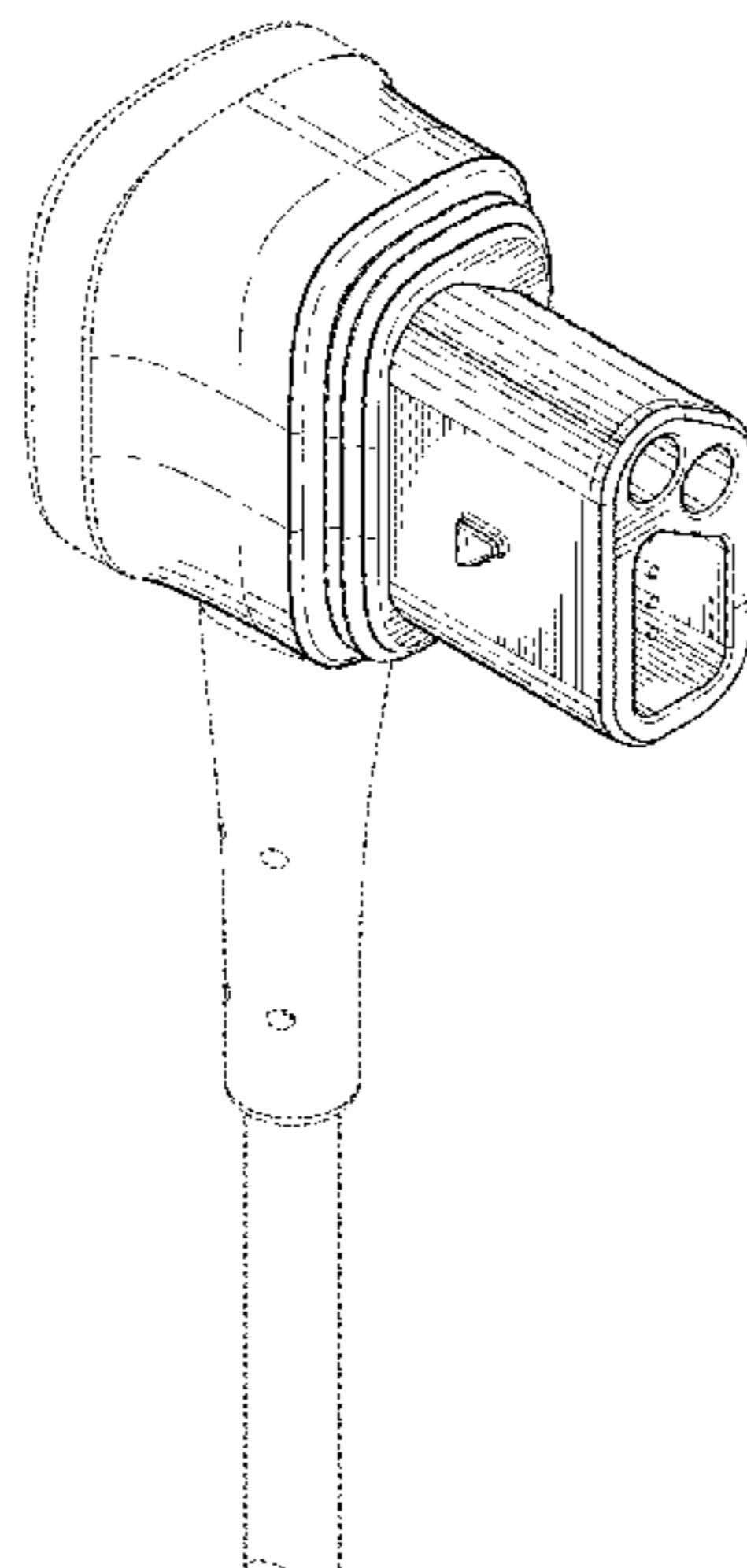
(57) **CLAIM**

The ornamental design for a wearable cardioverter defibrillator connector, as shown and described.

DESCRIPTION

FIG. 1 is a first perspective view of a wearable cardioverter defibrillator (“WCD”) connector, showing aspects of the present design;
 FIG. 2 is a second perspective view of the WCD connector of FIG. 1;
 FIG. 3 is a third perspective view of the WCD connector of FIG. 1;
 FIG. 4 is a fourth perspective view of the WCD connector of FIG. 1;
 FIG. 5 is a front view of the WCD connector of FIG. 1;
 FIG. 6 is a rear view of the WCD connector of FIG. 1;
 FIG. 7 is a top view of the WCD connector of FIG. 1;
 FIG. 8 is a bottom view of the WCD connector of FIG. 1;
 FIG. 9 is a right view of the WCD connector of FIG. 1;
 FIG. 10 is a left view of the WCD connector of FIG. 1; and,
 FIG. 11 is a partial cross-section view of the WCD connector of FIG. 1 along line 11-11 of FIG. 5.
 The broken lines depict portions of the wearable cardioverter defibrillator connector that form no part of the claimed design; the broken lines form no part of the claimed design.

1 Claim, 6 Drawing Sheets



(58) **Field of Classification Search**
 CPC A61N 1/3956; A61N 1/3975; A61N
 1/39622; A61N 1/3993; A61N 1/37229;
 A61N 1/37276; A61N 1/046; A61N
 1/0476; A61N 1/0492; Y10S 439/909
 See application file for complete search history.

(56) **References Cited**

U.S. PATENT DOCUMENTS

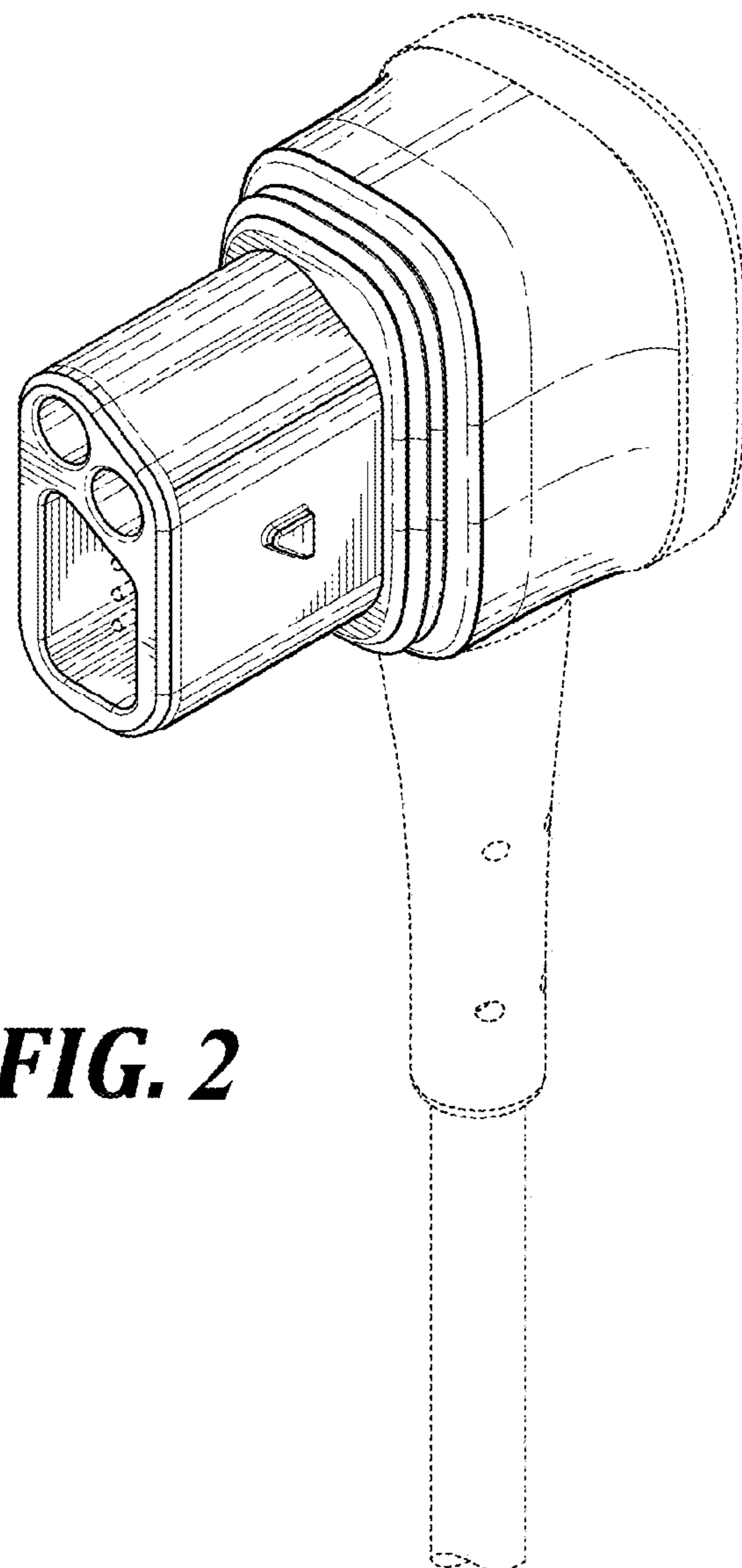
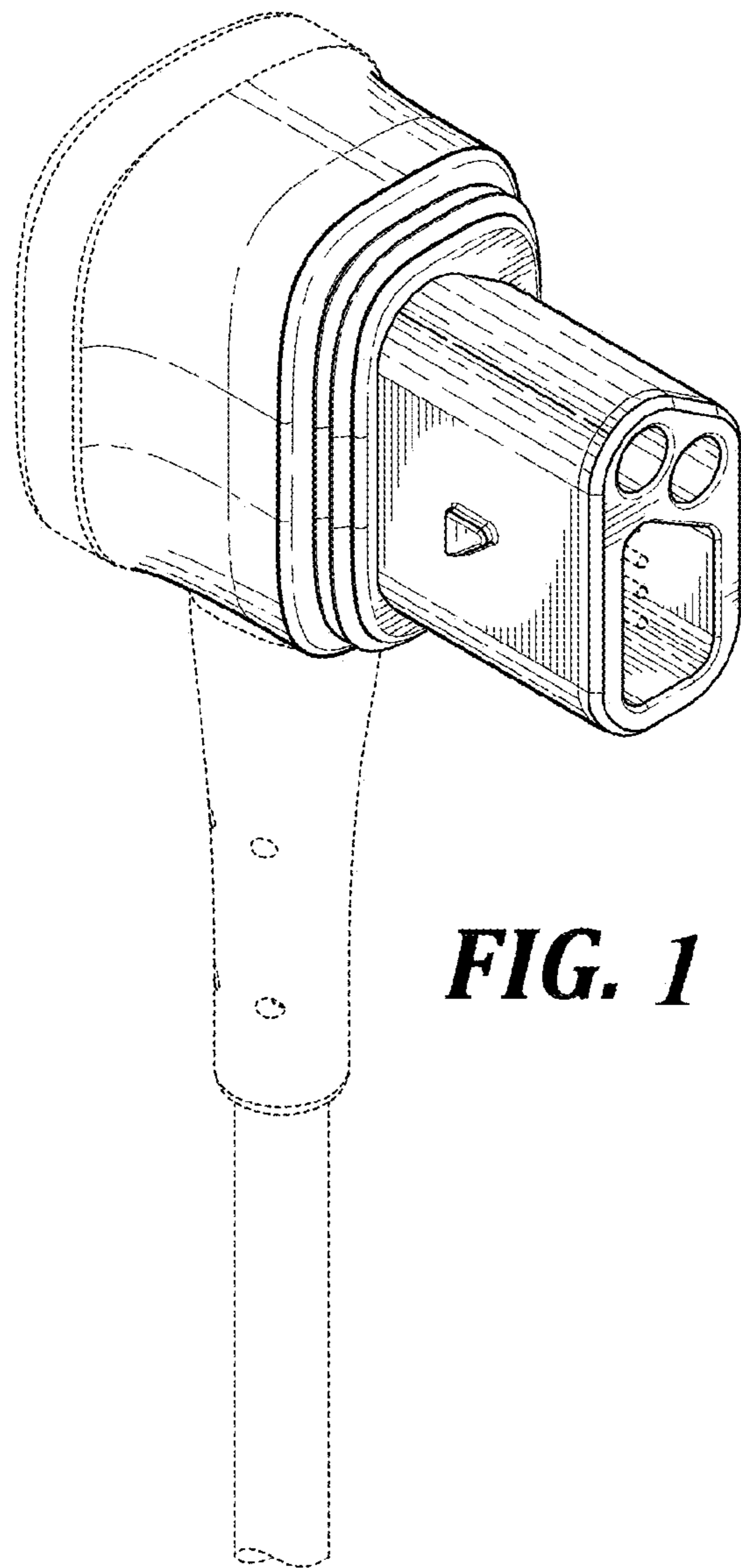
4,619,265	A	10/1986	Morgan et al.
4,928,690	A	5/1990	Heilman et al.
4,955,381	A	9/1990	Way et al.
5,078,134	A	1/1992	Heilman et al.
5,228,449	A	7/1993	Christ et al.
5,353,793	A	10/1994	Bomn
RE34,800	E	11/1994	Hutchins
5,394,892	A	3/1995	Kenny
5,405,362	A	4/1995	Kramer et al.
5,474,574	A	12/1995	Payne et al.
5,662,690	A	9/1997	Cole et al.
5,782,878	A	7/1998	Morgan et al.
5,792,204	A	8/1998	Snell
5,902,249	A	5/1999	Lysler
5,913,685	A	6/1999	Hutchins
6,047,203	A	4/2000	Sackner et al.
6,065,154	A	5/2000	Hulings et al.
6,108,197	A	8/2000	Janik
6,148,233	A	11/2000	Owen et al.
6,201,992	B1	3/2001	Freeman
6,263,238	B1	7/2001	Brewer et al.
6,287,328	B1	9/2001	Snyder et al.
6,304,780	B1	10/2001	Owen et al.
6,319,011	B1	11/2001	Motti et al.
6,334,070	B1	12/2001	Nova et al.
6,356,785	B1	3/2002	Snyder
6,360,120	B1 *	3/2002	Powers A61N 1/3925 439/909
6,437,083	B1	7/2002	Owen et al.
6,529,875	B1	3/2003	Nakajima
6,546,285	B1	4/2003	Owen et al.
6,681,003	B2	1/2004	Linder et al.
D491,147	S *	6/2004	Ji D13/147
6,762,917	B1	7/2004	Verbiest et al.
7,065,401	B2	6/2006	Worden
D569,979	S *	5/2008	Eda D24/165
7,559,902	B2	7/2009	Ting et al.
7,865,238	B2	1/2011	Brink
7,870,761	B2	1/2011	Valentine et al.
7,974,689	B2	7/2011	Volpe et al.
8,140,154	B2	10/2012	Donnelly et al.
8,369,944	B2	2/2013	Macho et al.
8,644,925	B2	2/2014	Volpe et al.
8,676,313	B2	3/2014	Volpe et al.
8,965,500	B2	2/2015	Macho et al.
D724,739	S *	3/2015	London D24/167
9,008,801	B2	4/2015	Kaib et al.
9,131,901	B2	9/2015	Volpe et al.
9,132,267	B2	9/2015	Kaib
9,345,898	B2	5/2016	Piha et al.
D773,056	S *	11/2016	Vlach D24/186
9,878,171	B2	1/2018	Kaib

9,901,741	B2	2/2018	Chapman et al.
10,016,613	B2	7/2018	Kavounas
D834,525	S *	11/2018	Lambrecht D13/147
D875,583	S *	2/2020	Bivans D10/85
2002/0181680	A1	12/2002	Linder et al.
2003/0158593	A1	8/2003	Heilman et al.
2005/0107833	A1	5/2005	Freeman et al.
2005/0107834	A1	5/2005	Freeman et al.
2006/0173499	A1	8/2006	Hampton et al.
2008/0312709	A1	12/2008	Volpe et al.
2009/0005827	A1	1/2009	Weintraub et al.
2010/0007413	A1	1/2010	Herleikson
2010/0298899	A1	11/2010	Donnelly et al.
2011/0022105	A9	1/2011	Owen et al.
2011/0288604	A1	11/2011	Kalb et al.
2011/0288605	A1	11/2011	Kaib et al.
2012/0112903	A1	5/2012	Kaib et al.
2012/0144551	A1	6/2012	Guldalian
2012/0150008	A1	6/2012	Kaib et al.
2012/0158075	A1	6/2012	Kaib et al.
2012/0191476	A1	7/2012	Reid et al.
2012/0265265	A1	10/2012	Razavi et al.
2012/0283794	A1	11/2012	Kaib et al.
2012/0302860	A1	11/2012	Volpe et al.
2013/0085538	A1	4/2013	Volpe et al.
2013/0144355	A1	6/2013	Macho et al.
2013/0231711	A1	9/2013	Kaib
2013/0245388	A1	9/2013	Rafferty et al.
2013/0274565	A1	10/2013	Langer et al.
2013/0325078	A1	12/2013	Whiting et al.
2014/0012144	A1	1/2014	Crone
2014/0025131	A1	1/2014	Sullivan et al.
2014/0046391	A1	2/2014	Cowan et al.
2014/0070957	A1	3/2014	Longinotti-Buritonil Gianluigi et al.
2014/0170622	A1 *	6/2014	Pastrick G09B 23/288 434/265
2014/0324112	A1	10/2014	Macho et al.
2014/0378812	A1	12/2014	Saroka et al.
2015/0039053	A1	2/2015	Kaib
2016/0004831	A1	1/2016	Carlson et al.
2016/0283900	A1	9/2016	Johnson et al.
2017/0319862	A1	11/2017	Foshee, Jr. et al.
2017/0367591	A1	12/2017	Jorgenseon
2018/0184933	A1	7/2018	Sullivan et al.
2018/0185662	A1	7/2018	Foshee, Jr. et al.
2018/0243578	A1	8/2018	Volosin
2019/0030352	A1	1/2019	Sullivan et al.
2019/0076666	A1	3/2019	Medema
2019/0247671	A1 *	8/2019	Piha A61N 1/3904

OTHER PUBLICATIONS

Lifecor LifeVest System Model WCD 3100 Operator's Manual, 2006, PN 20B0040 Rev FI, Zoll Lifecor Corporation, Pittsburgh, PA.
 Heartstart MRx and XL AED Algorithm—Application Note, Jul. 2001, Edition 2 Phillips Healthcare, USA.
 Zoll LifeVest Model 4000 Patient Manual PN 20B0047 Rev B, (C) 2009-2012.

* cited by examiner



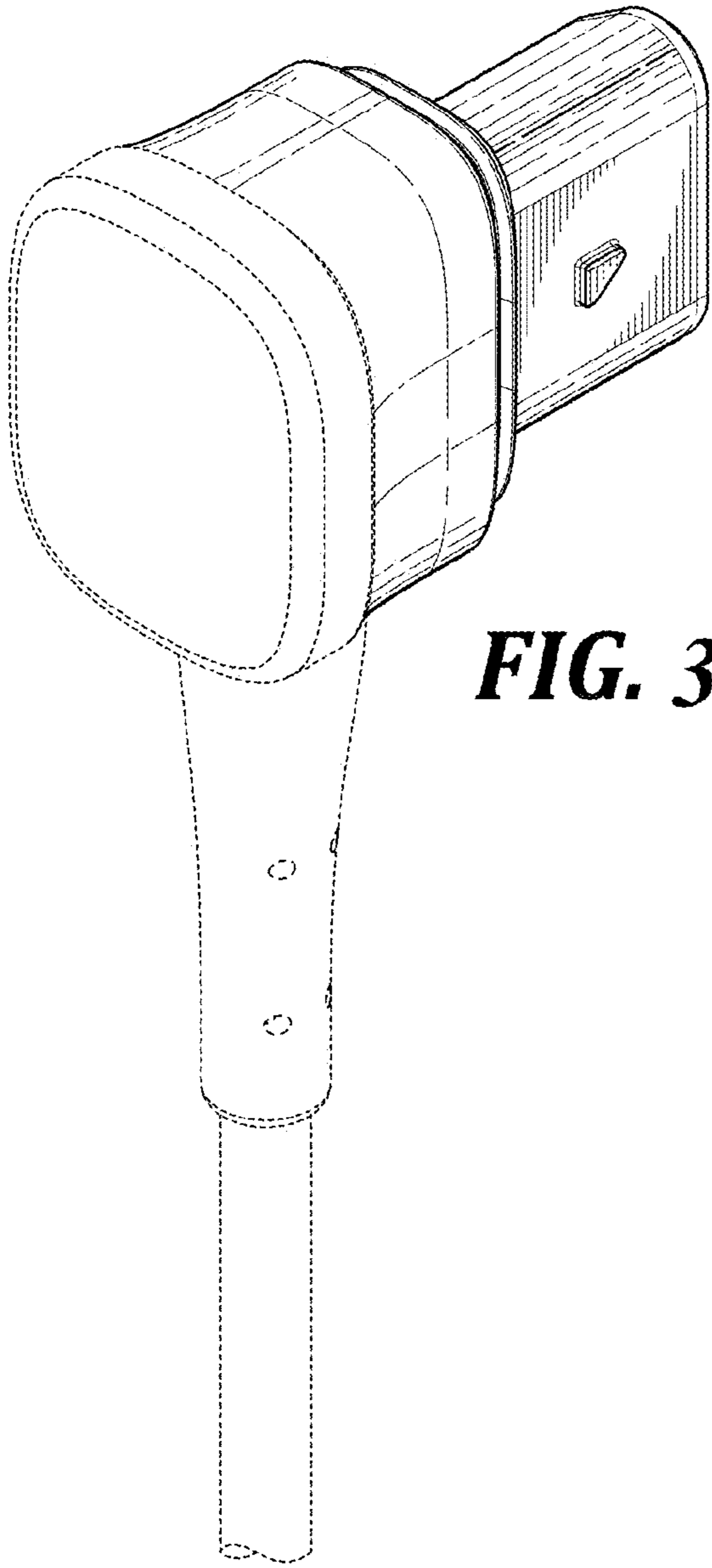


FIG. 3

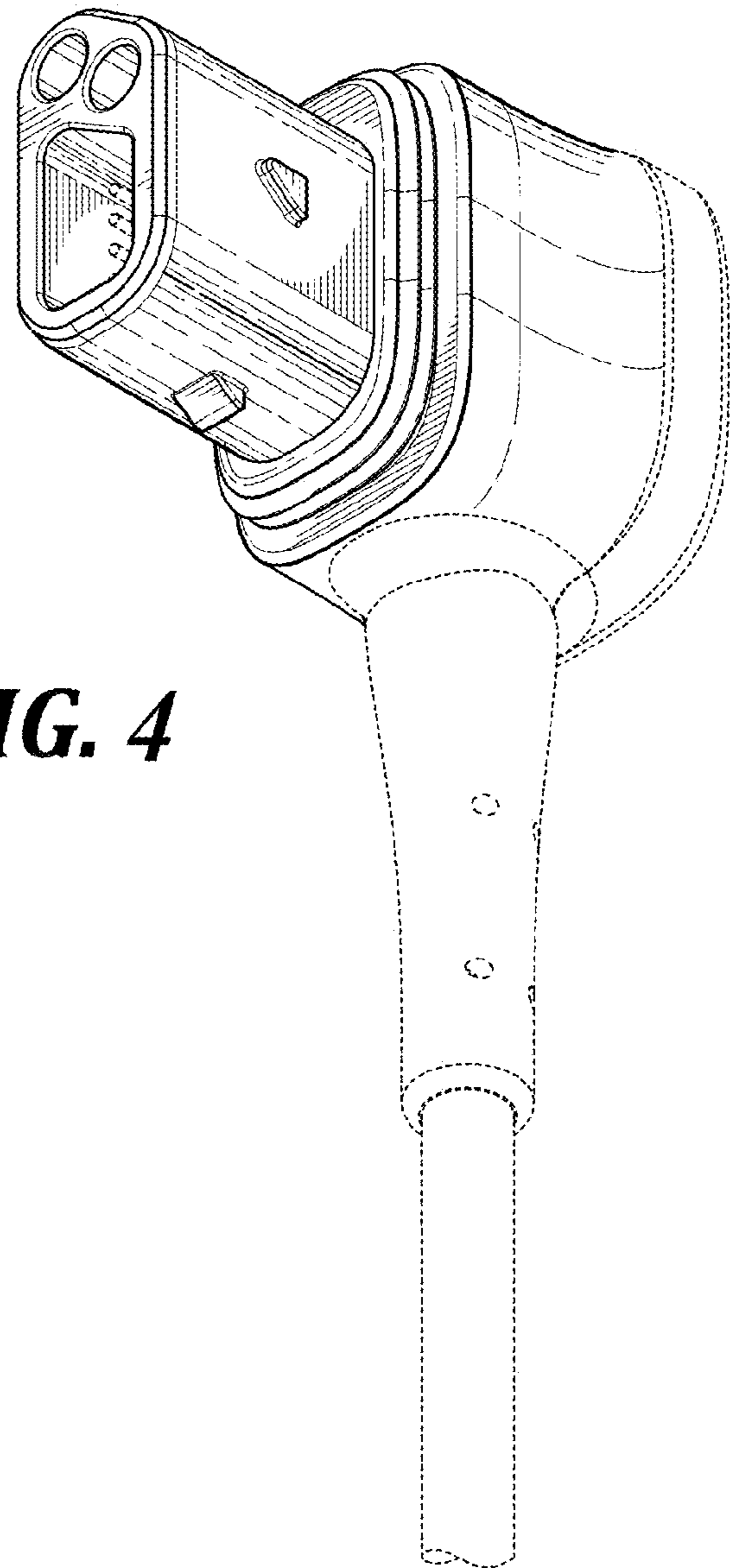


FIG. 4

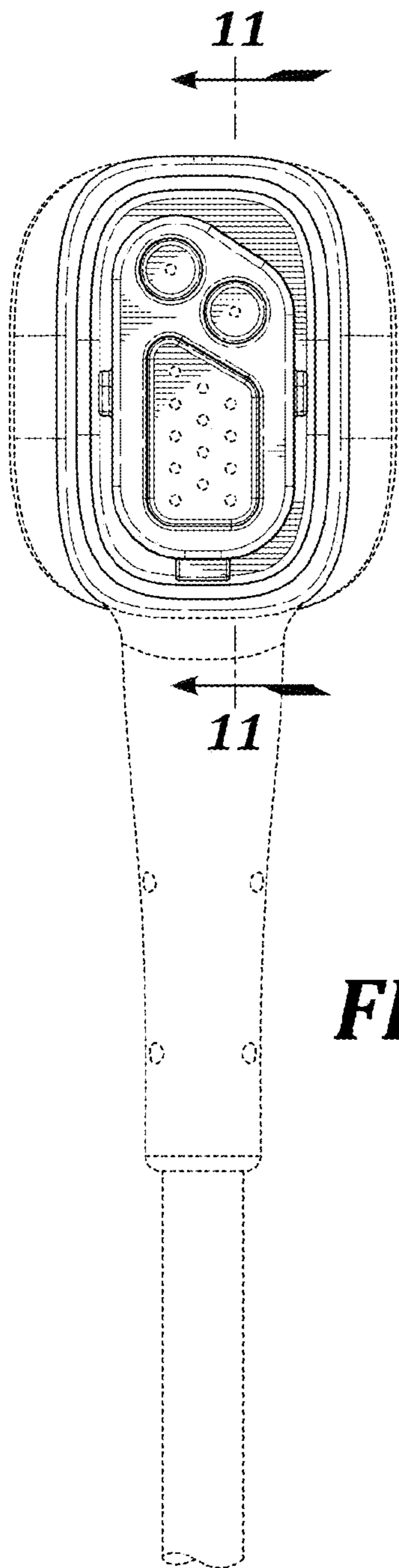


FIG. 5

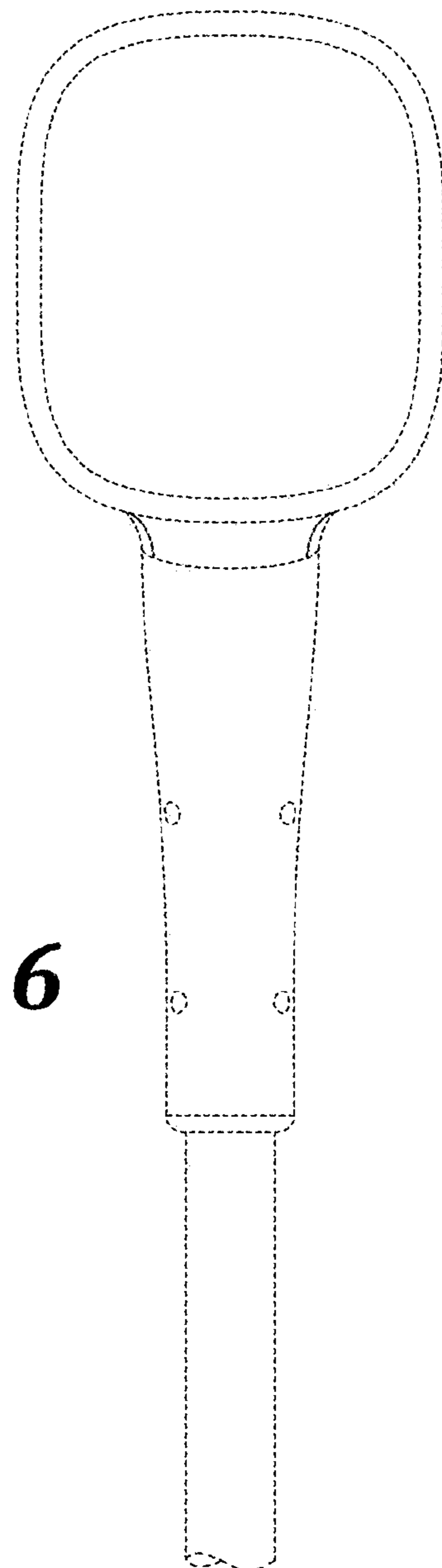


FIG. 6

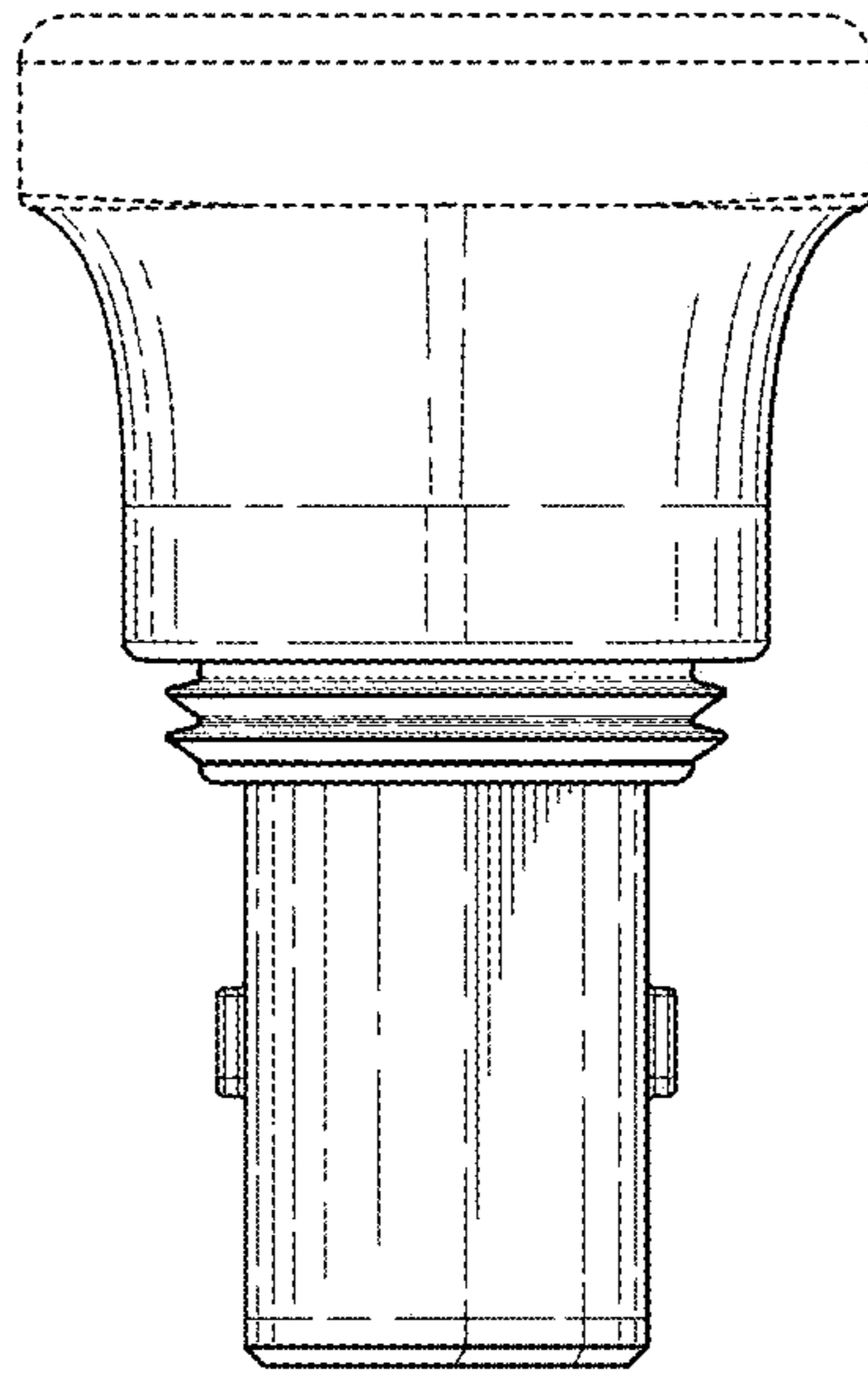


FIG. 7

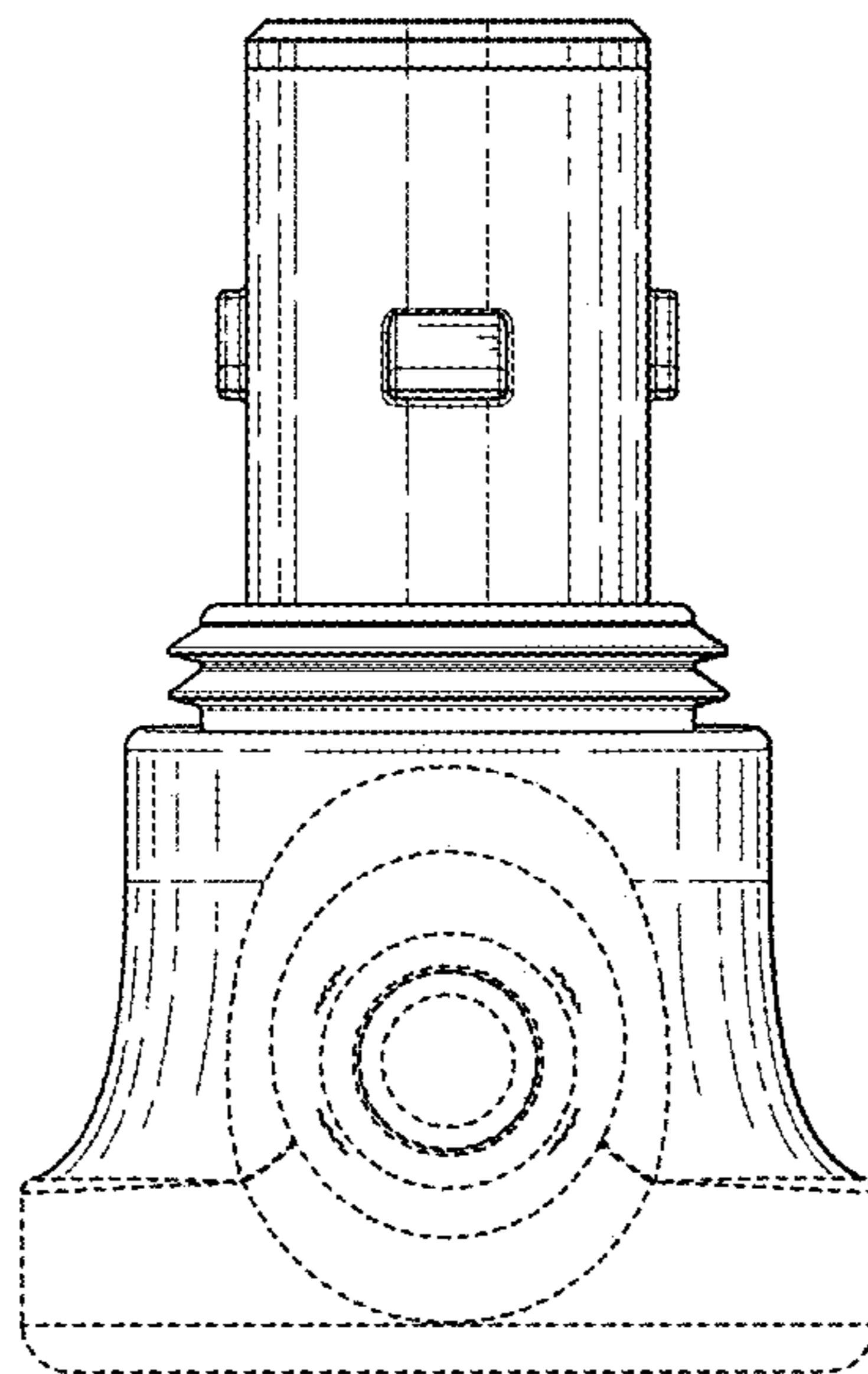
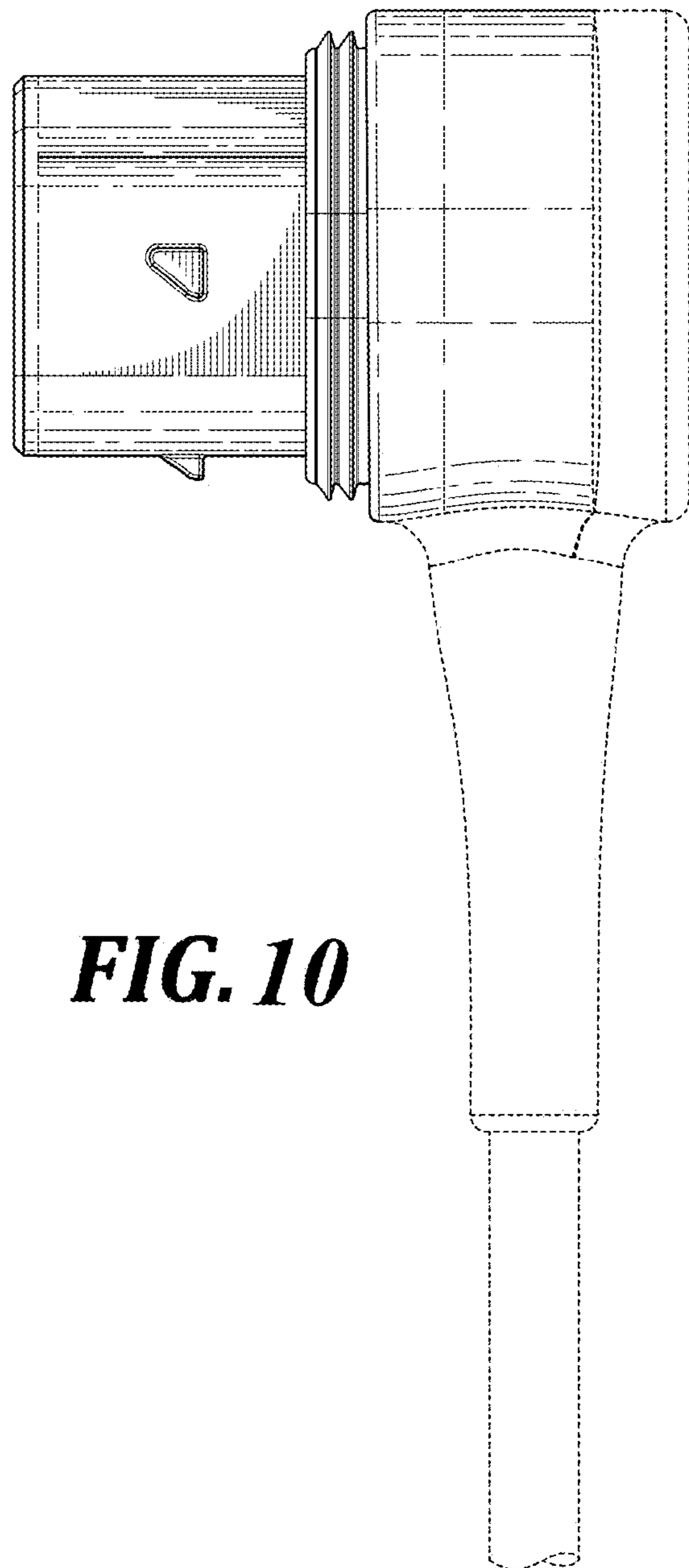
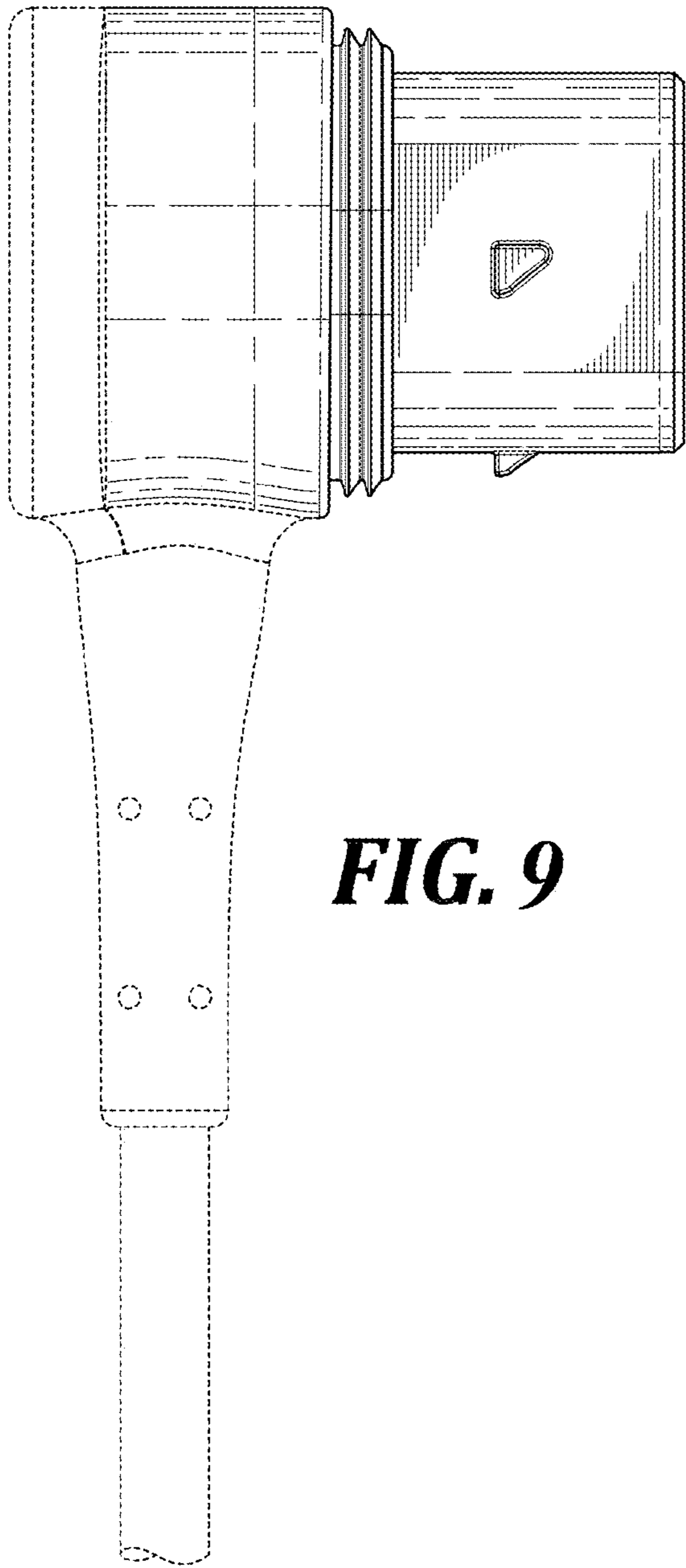


FIG. 8



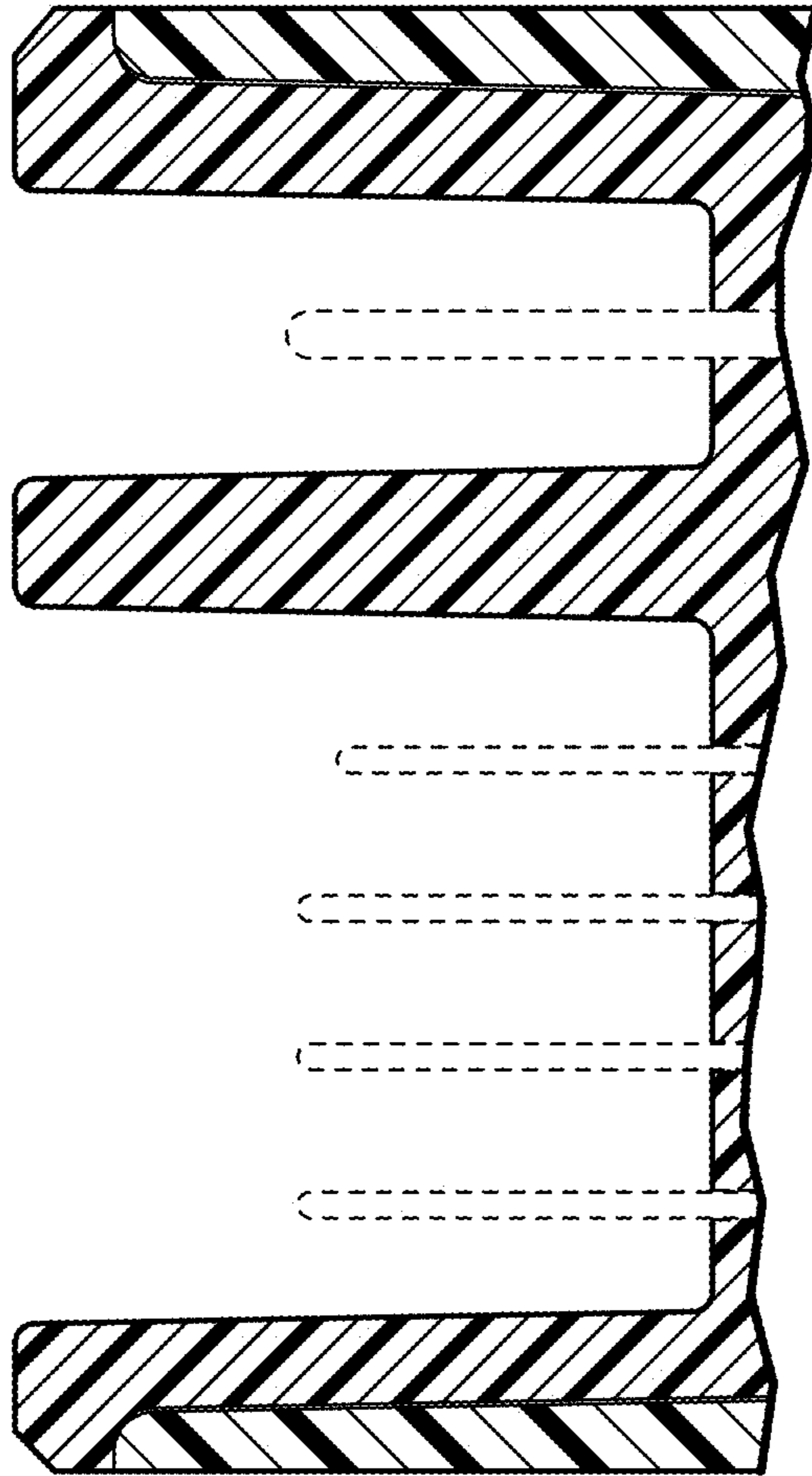


FIG. 11