



US00D911520S

(12) **United States Design Patent**  
**Lin et al.**

(10) **Patent No.:** **US D911,520 S**  
(45) **Date of Patent:** **\*\* Feb. 23, 2021**

(54) **ELECTRONIC STETHOSCOPE**

(71) Applicant: **VITALCHAINS CORPORATION**,  
Menlo Park, CA (US)

(72) Inventors: **Tzu-Chih Lin**, Qionglin Township,  
Hsinchu County (CN); **Kun-Hsi Tsai**,  
Zhubei (CN); **Ching-Heng Lin**, New  
Taipei (CN); **Yu-Cheng Huang**,  
Qionglin Township, Hsinchu County  
(CN)

(73) Assignee: **VITALCHAINS CORPORATION**,  
Menlo Park, CA (US)

(\*\*) Term: **15 Years**

(21) Appl. No.: **35/507,254**

(22) Filed: **Sep. 26, 2018**

(80) **Hague Agreement Data**

Int. Filing Date: **Sep. 26, 2018**

Int. Reg. No.: **DM/202250**

Int. Reg. Date: **Sep. 26, 2018**

Int. Reg. Pub. Date: **Aug. 16, 2019**

(51) **LOC (13) Cl.** ..... **24-02**

(52) **U.S. Cl.**  
USPC ..... **D24/134**

(58) **Field of Classification Search**  
USPC ..... D24/134, 133, 135, 136, 140, 189  
(Continued)

(56) **References Cited**

**U.S. PATENT DOCUMENTS**

D445,184 S \* 7/2001 Meyer ..... D24/134

D477,405 S \* 7/2003 Sommerfeld ..... D24/134

(Continued)

*Primary Examiner* — Melanie Pellegrini

(74) *Attorney, Agent, or Firm* — Muncy, Geissler, Olds  
and Lowe, P.C.

(57) **CLAIM**

The ornamental design for an electronic stethoscope, as  
shown and described.

**DESCRIPTION**

1.1-1.7 and 3.1-3.7 Electronic stethoscope

**1.1:** Perspective

**1.2:** Right

**1.3:** Left

**1.4:** Back

**1.5:** Front

**1.6:** Top

**1.7:** Bottom

**3.1:** Perspective

**3.2:** Right

**3.3:** Left

**3.4:** Back

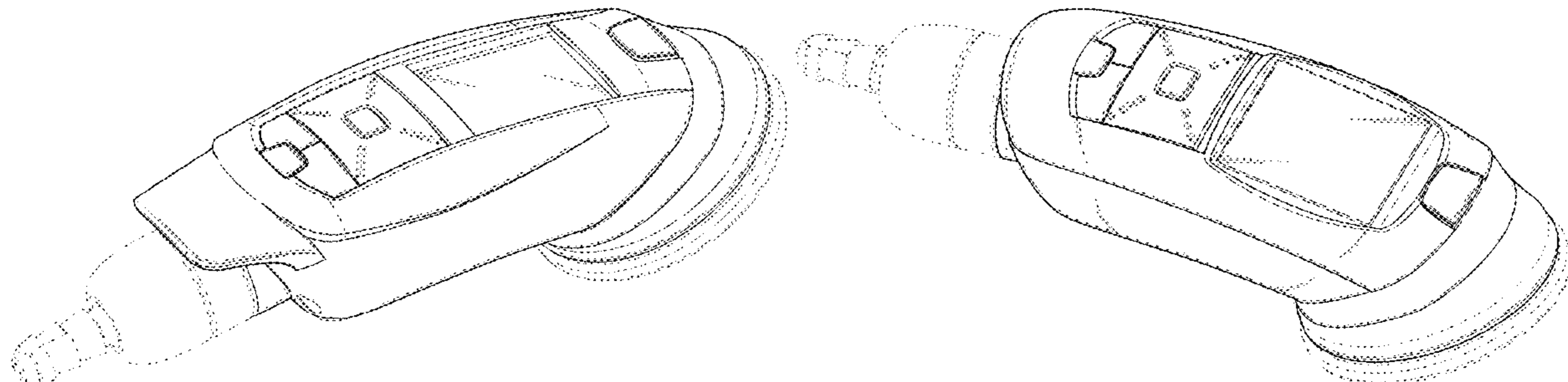
**3.5:** Front

**3.6:** Top

**3.7:** Bottom

FIG. 1.1 is a perspective view of an electronic stethoscope  
according to a first design; FIG. 1.2 is a right view of the  
electronic stethoscope according to the first design; FIG. 1.3  
is a left view of the electronic stethoscope according to the  
first design; FIG. 1.4 is a back view of the electronic  
stethoscope according to the first design; FIG. 1.5 is a front  
view of the electronic stethoscope according to the first  
design; FIG. 1.6 is a top view of the electronic stethoscope  
according to the first design; FIG. 1.7 is a bottom view of the  
electronic stethoscope according to the first design;; FIG. 3.1  
is a perspective view of an electronic stethoscope according  
to a third design; FIG. 3.2 is a right view of the electronic  
stethoscope according to the third design; FIG. 3.3 is a left  
view of the electronic stethoscope according to the third  
design; FIG. 3.4 is a back view of the electronic stethoscope  
according to the third design; FIG. 3.5 is a front view of the  
electronic stethoscope according to the third design; FIG.  
3.6 is a top view of the electronic stethoscope according to  
the third design; FIG. 3.7 is a bottom view of the electronic  
stethoscope according to the third design; the broken lines in

(Continued)



the figures show portions of the electronic stethoscope that form no part of the claimed design; the ornamental design which is claimed is shown in solid lines in the drawings.

**1 Claim, 14 Drawing Sheets**

(58) **Field of Classification Search**

CPC .. A61B 7/02; A61B 7/04; A61B 7/003; A61B  
5/024; A61B 5/7282; A61B 5/742; A61B  
17/17; A61B 17/16; A61B 17/11; A61B  
17/00; A61B 17/1675; A61B 17/1764;  
A61B 17/1767; A61B 18/00; A61B  
19/00; A61F 2/46; A61F 2/4601; A61F  
2/4603; A61F 2/461; A61F 2/3868; A61F  
2002/4631

See application file for complete search history.

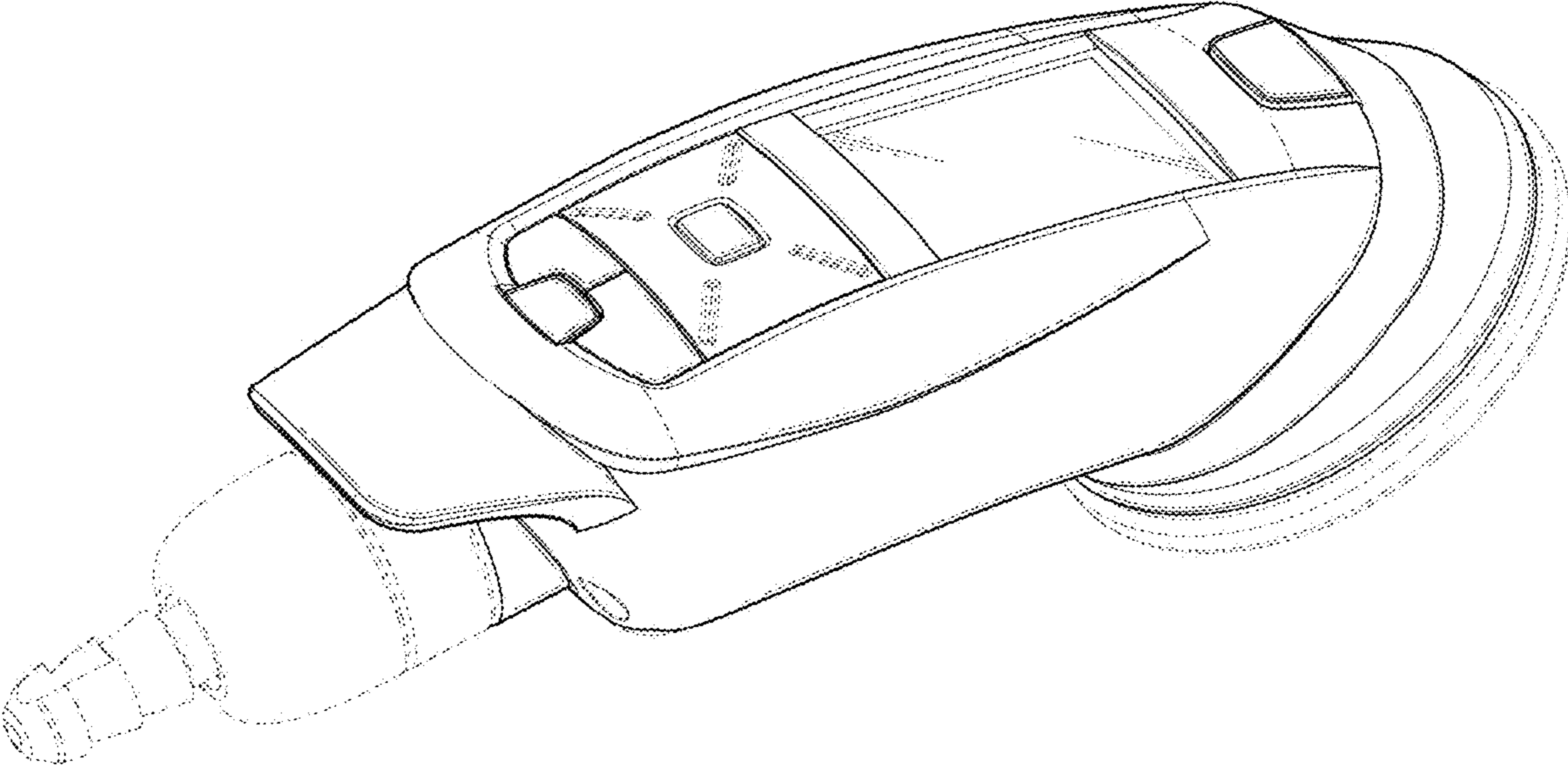
(56) **References Cited**

U.S. PATENT DOCUMENTS

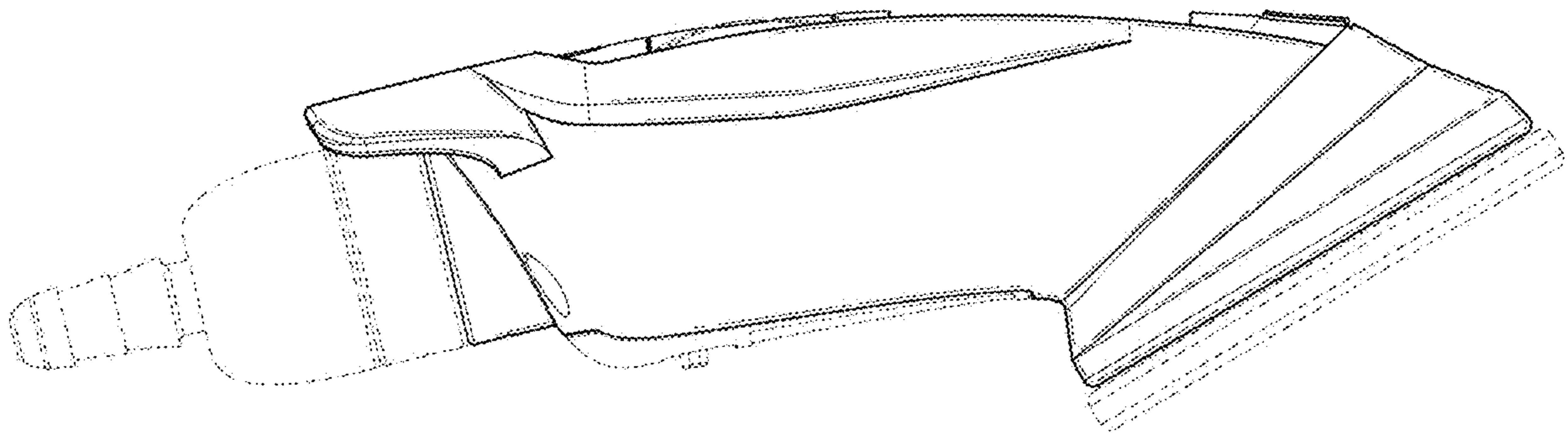
D527,819 S \* 9/2006 Poulsen ..... D24/134  
D589,144 S \* 3/2009 Bagha ..... D24/134  
D635,667 S \* 4/2011 Soerensen ..... D24/134  
D875,927 S \* 2/2020 Ohashi ..... D24/134  
2019/0053778 A1\* 2/2019 Lin ..... A61B 5/6823

\* cited by examiner

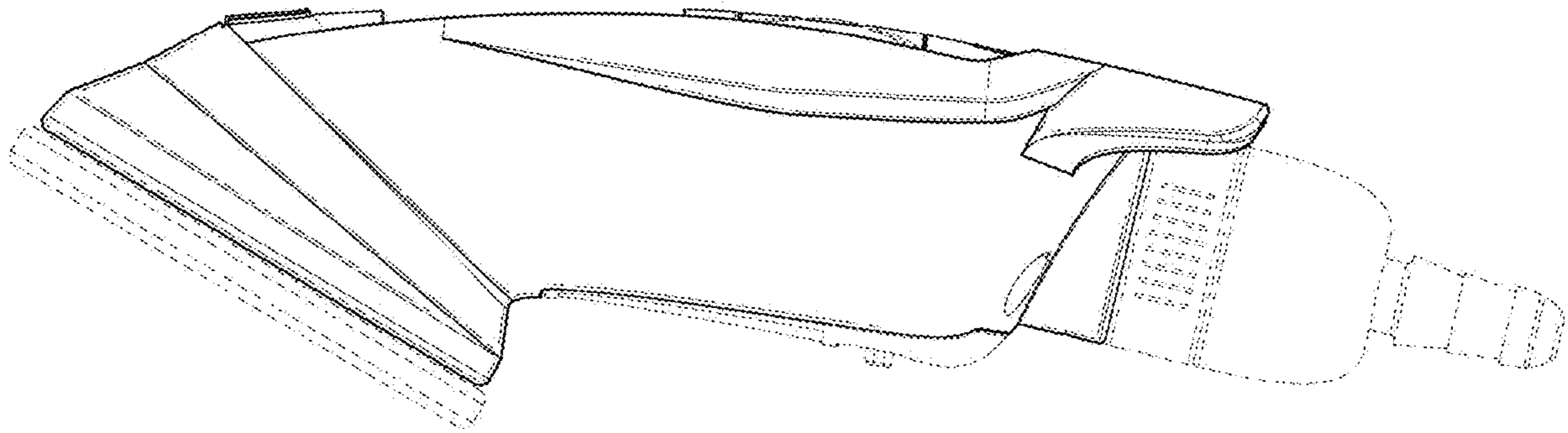
1.1



1.2

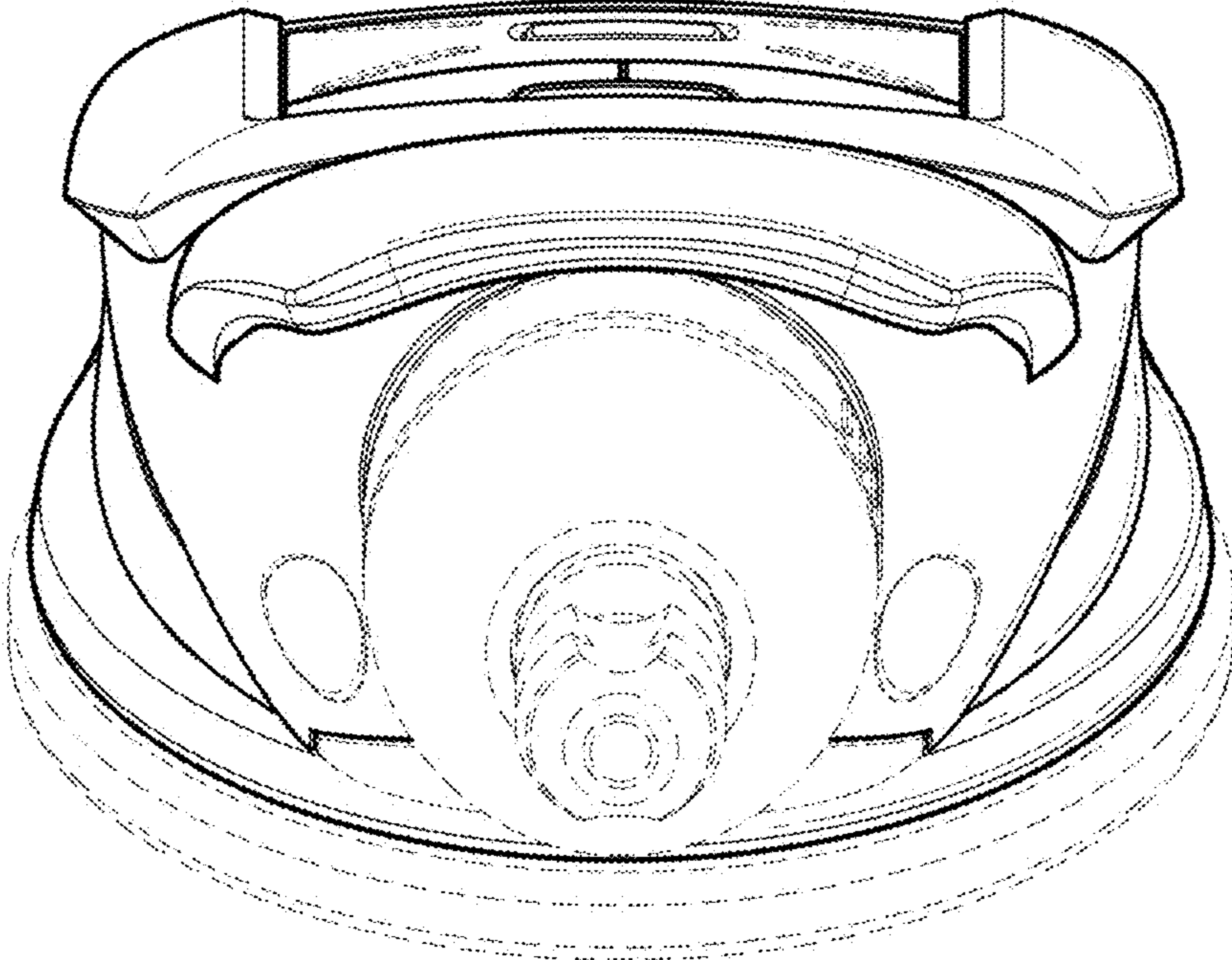


1.3

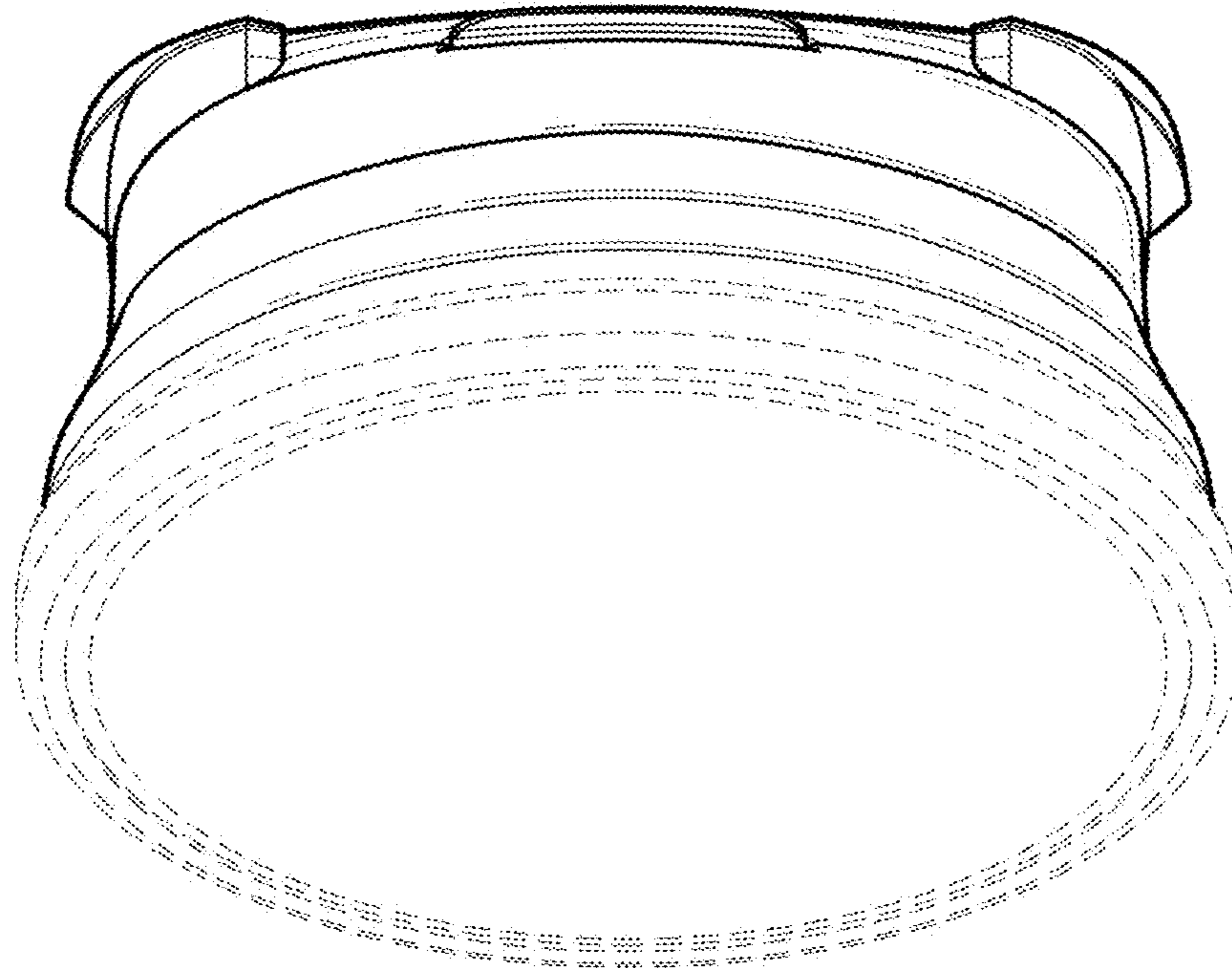




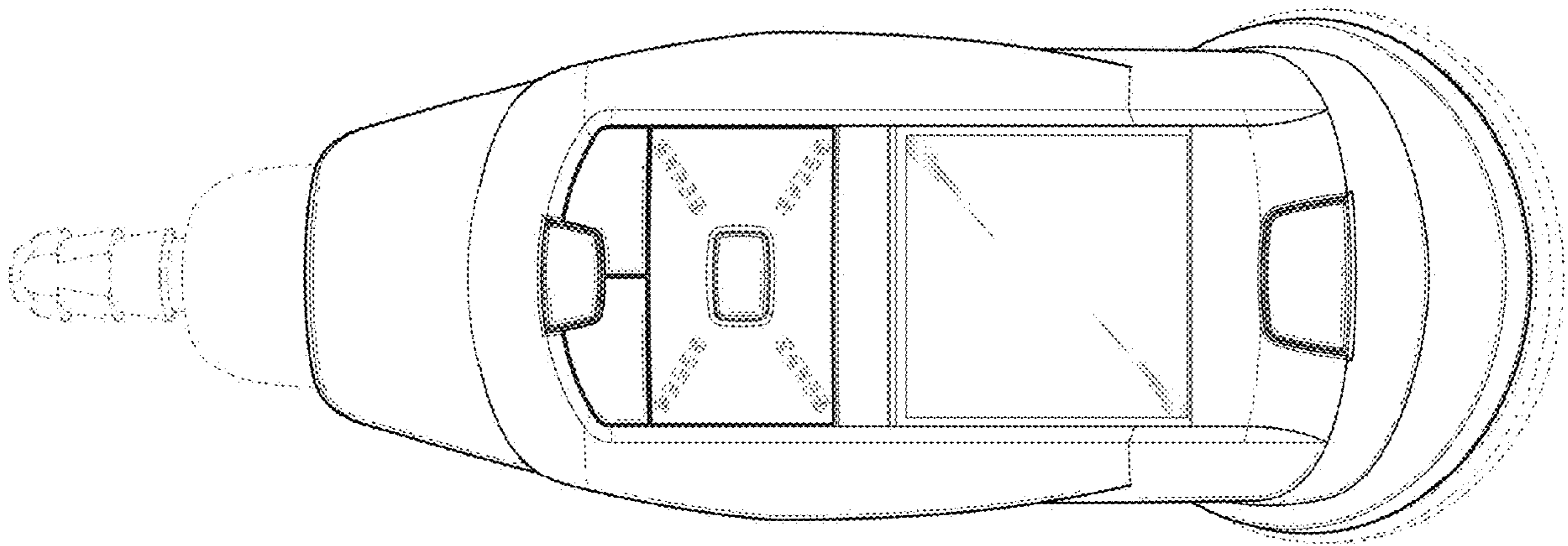
1.4



1.5

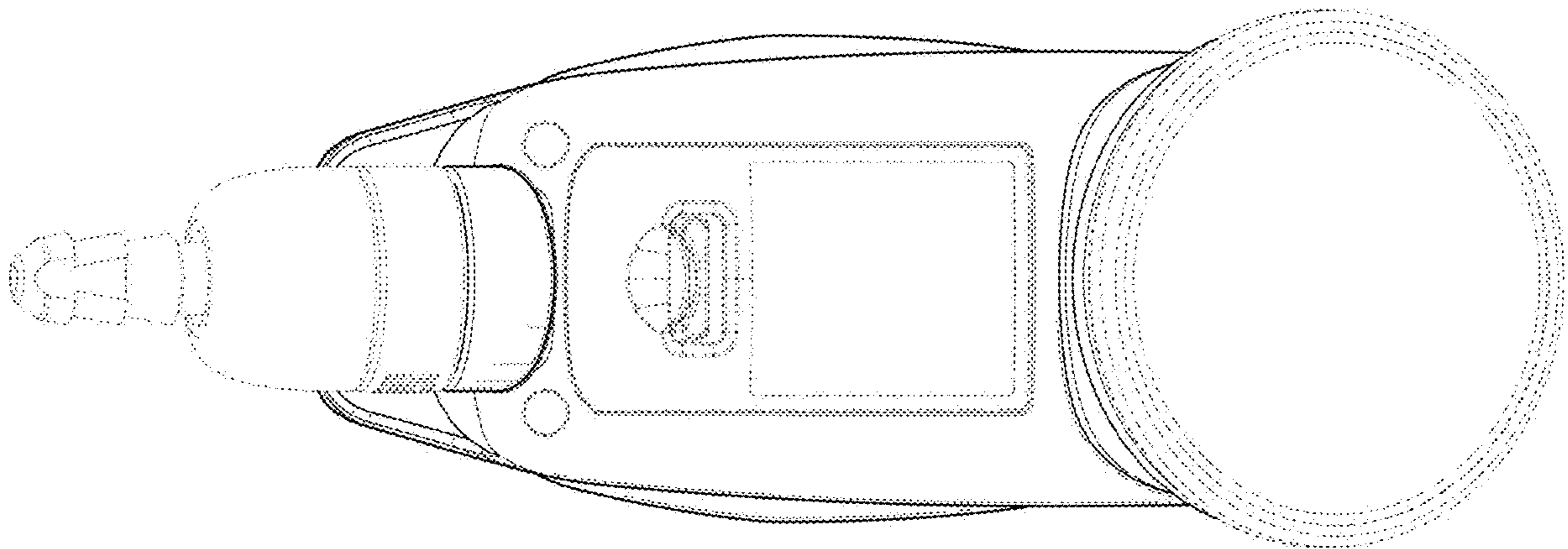


1.6

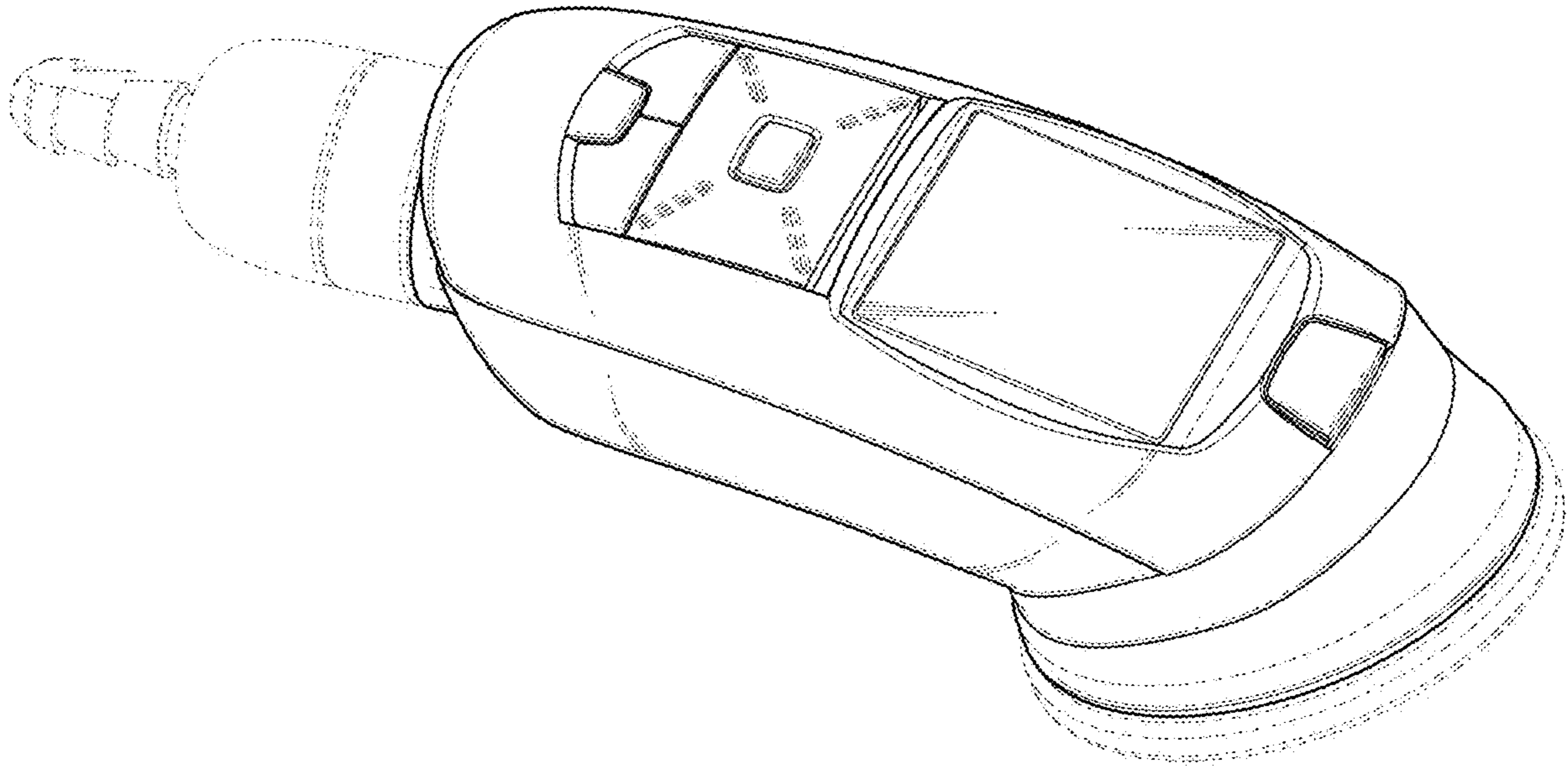




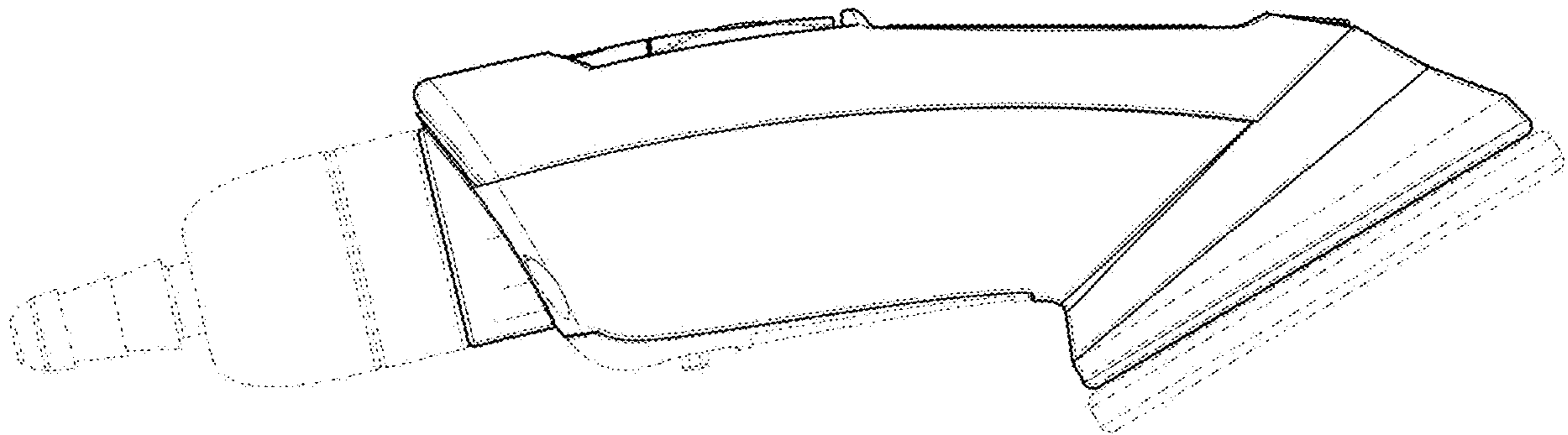
1.7



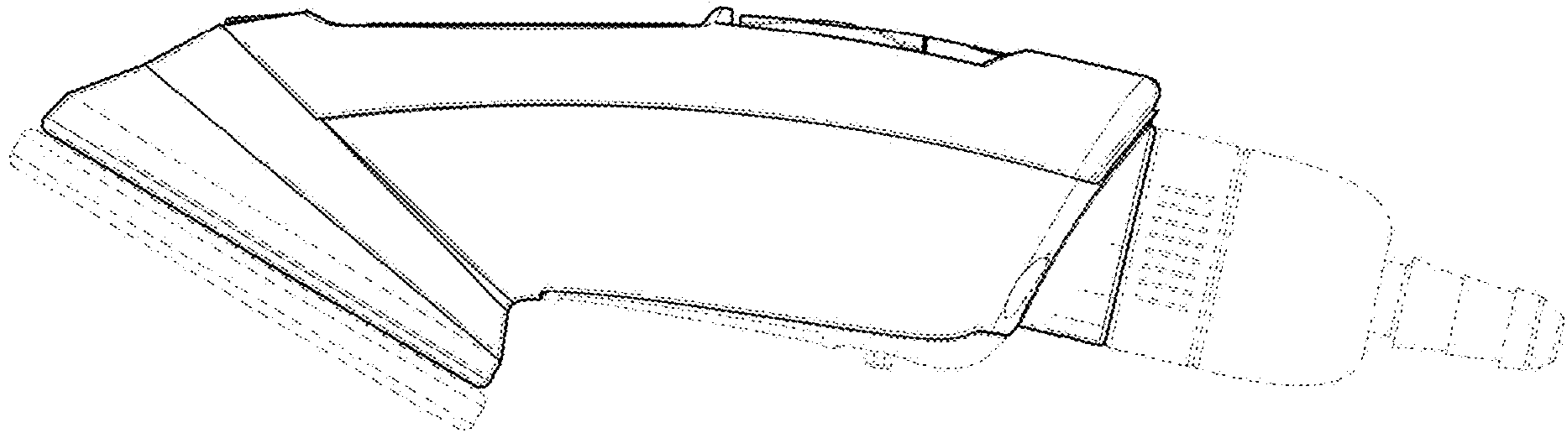
3.1



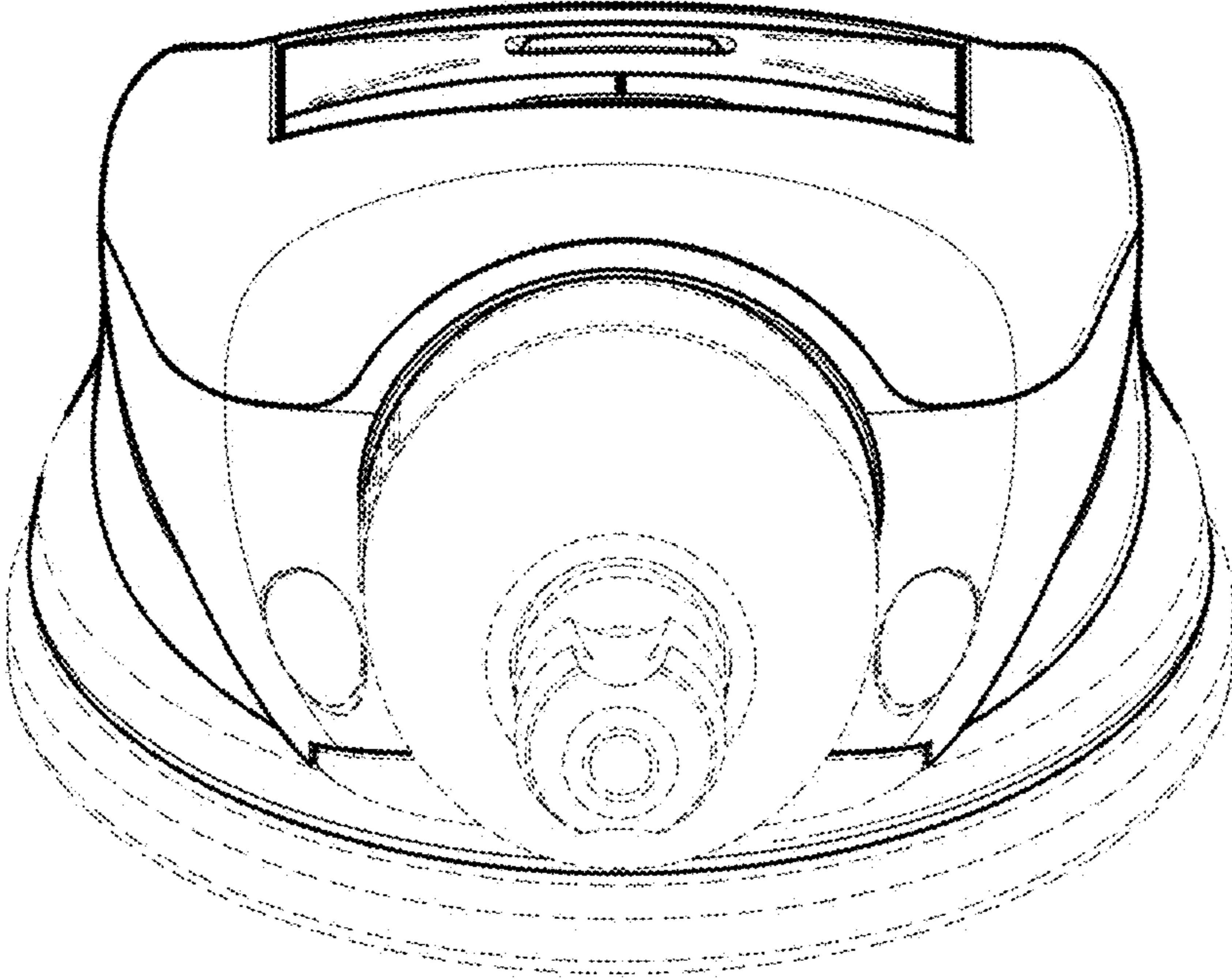
3.2



3.3

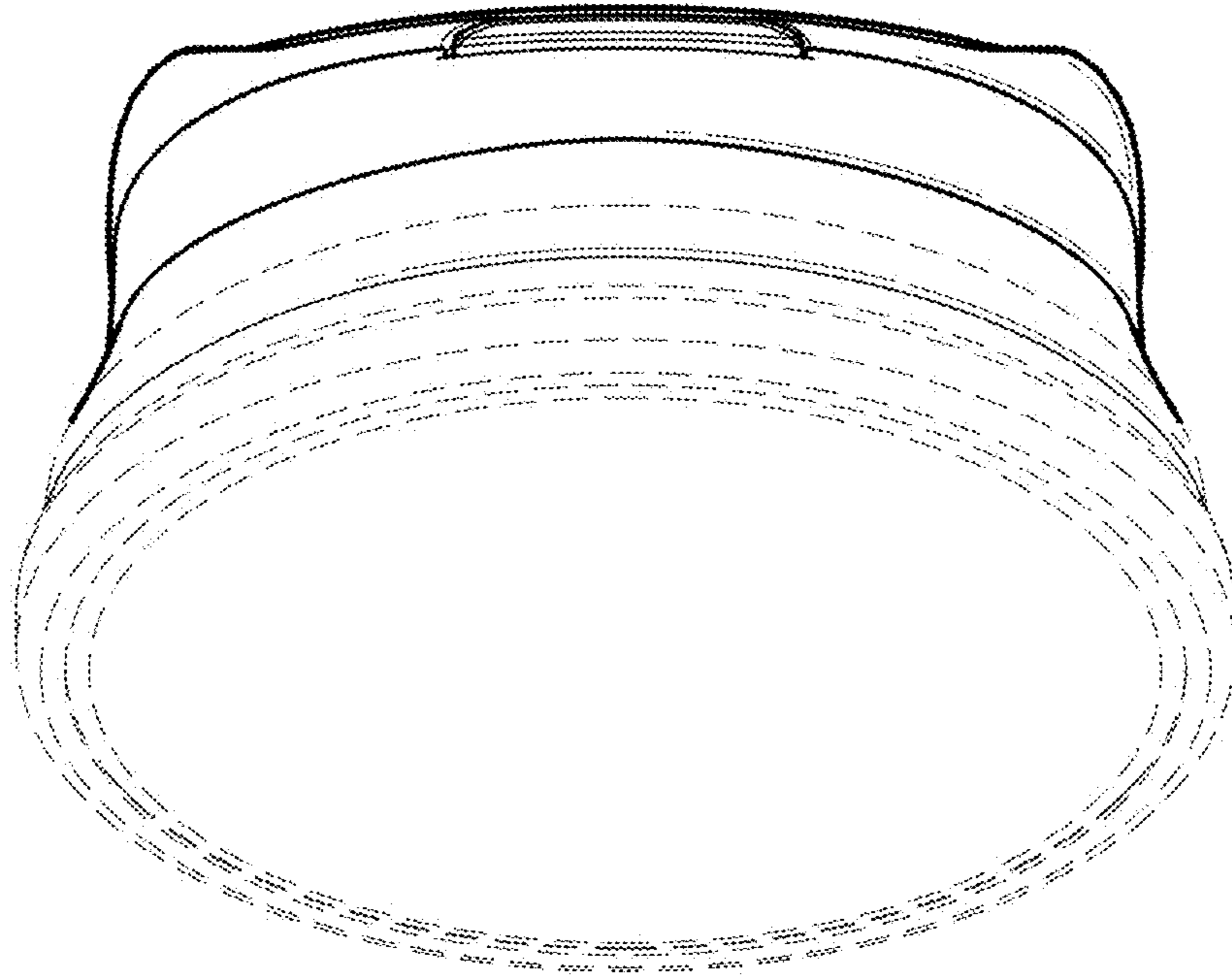


3.4

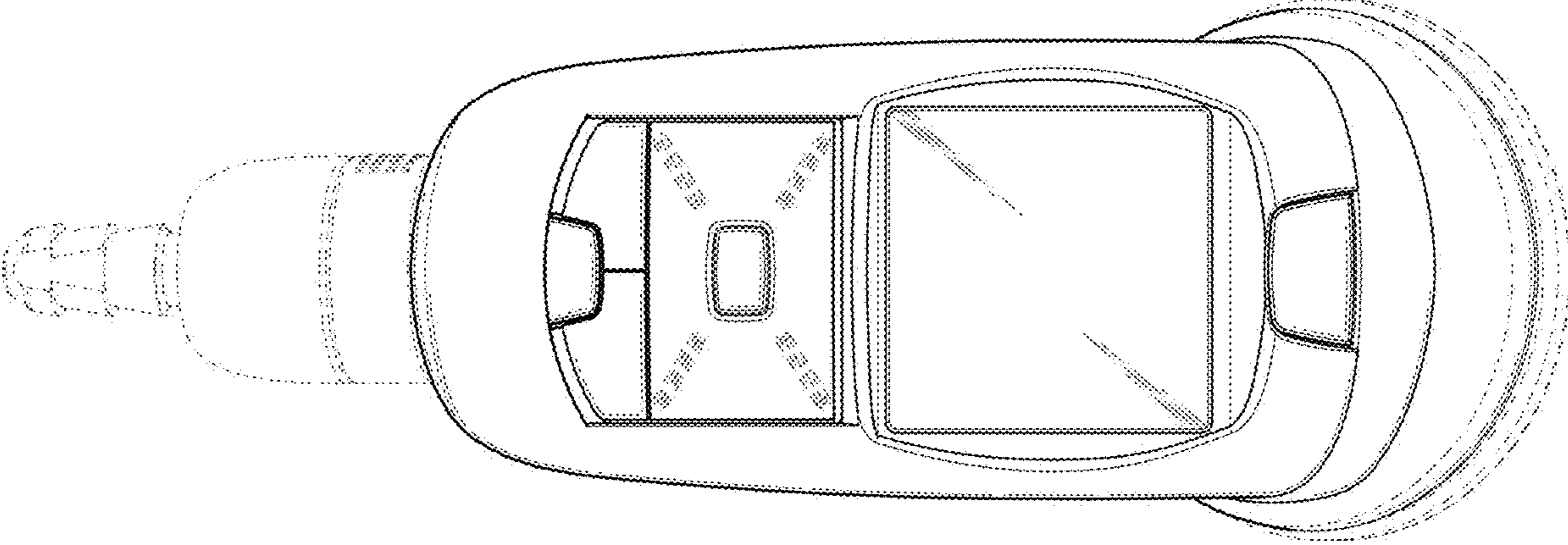




3.5



3.6



3.7

