



US00D911518S

(12) **United States Design Patent** (10) **Patent No.:** **US D911,518 S**  
**Shi** (45) **Date of Patent:** **\*\* Feb. 23, 2021**

(54) **NEEDLE SHIELD**  
(71) Applicant: **SHALI MEDICAL (SUZHOU) INC.,**  
Jiangsu (CN)  
(72) Inventor: **Guoping Shi, Suzhou (CN)**  
(73) Assignee: **SHALI MEDICAL (SUZHOU) INC.,**  
Jiangsu (CN)  
(\*\*) Term: **15 Years**  
(21) Appl. No.: **29/700,038**  
(22) Filed: **Jul. 31, 2019**  
(51) **LOC (13) Cl.** ..... **24-02**  
(52) **U.S. Cl.**  
USPC ..... **D24/130**  
(58) **Field of Classification Search**  
USPC ..... D24/127-131, 112-114, 133, 186;  
606/181, 185; 604/264, 523-528, 272,  
604/187, 158, 164.01-164.11, 181, 184,  
604/227; 600/101, 139, 143;  
128/200.24, 207.14, 207.15  
CPC ..... A61M 39/1011; F16L 37/0841; F16L  
2201/20; F16L 2201/60  
See application file for complete search history.

(56) **References Cited**  
U.S. PATENT DOCUMENTS  
D299,865 S \* 2/1989 Kamstrup-Larsen ..... D24/130  
D320,277 S \* 9/1991 Gyure ..... D24/130  
D358,885 S \* 5/1995 Benson ..... D24/130  
6,179,828 B1 \* 1/2001 Mottola ..... A61M 25/0075  
604/256  
D467,340 S \* 12/2002 Mayer ..... D24/133  
D469,178 S \* 1/2003 Courteix ..... D24/130  
D584,150 S \* 1/2009 Gibson ..... D9/445  
D663,042 S \* 7/2012 Motadel ..... D24/222

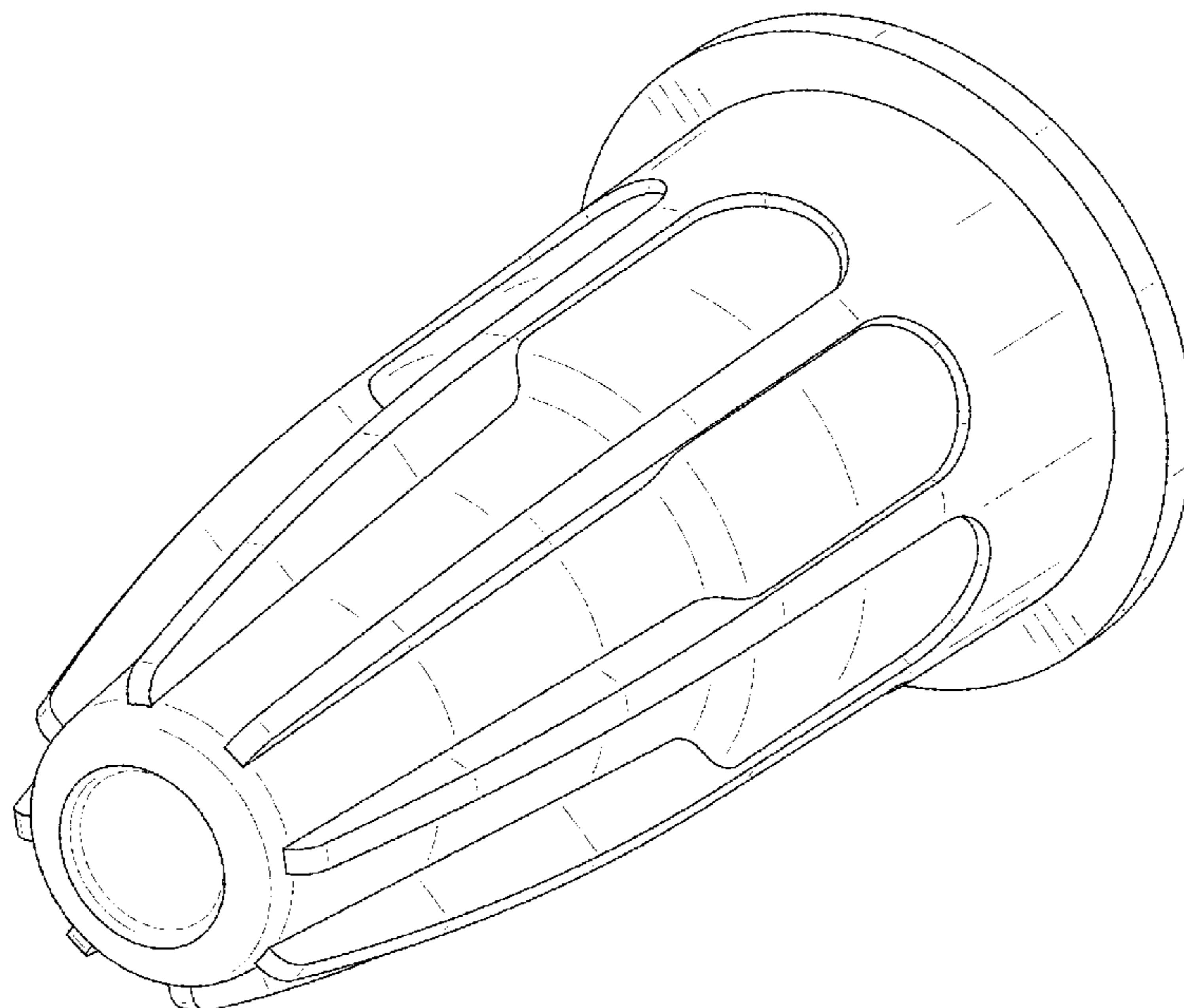
D665,497 S \* 8/2012 Marshall ..... D24/130  
D667,951 S \* 9/2012 Marshall ..... D24/130  
D669,579 S \* 10/2012 Marshall ..... D24/130  
D677,379 S \* 3/2013 Orsing ..... D24/112  
D679,826 S \* 4/2013 Ziegmann ..... D24/222  
D679,828 S \* 4/2013 Motadel ..... D24/222  
D717,430 S \* 11/2014 Shiraiishi ..... D24/130  
D736,906 S \* 8/2015 Schultz ..... D24/108  
D768,850 S \* 10/2016 Rozwadowski ..... D24/130  
D768,852 S \* 10/2016 Rozwadowski ..... D24/130  
D775,953 S \* 1/2017 Ruthe-Steinsiek ..... D9/453  
D787,053 S \* 5/2017 Huang ..... D24/130  
D787,669 S \* 5/2017 Huang ..... D24/130  
D804,023 S \* 11/2017 Huang ..... D24/130  
D811,882 S \* 3/2018 Gundersen ..... D9/557  
D814,025 S \* 3/2018 Zumbum ..... D24/129  
D825,749 S \* 8/2018 Huang ..... D24/130  
2018/0147365 A1 \* 5/2018 Shi ..... A61M 5/321

\* cited by examiner  
*Primary Examiner* — Nathan M Johnston  
(74) *Attorney, Agent, or Firm* — JCIP Global Inc.

(57) **CLAIM**  
The ornamental design for a needle shield, as shown and described.

**DESCRIPTION**  
FIG. 1 is a perspective view of a needle shield showing my new design;  
FIG. 2 is a front view thereof;  
FIG. 3 is a rear view thereof;  
FIG. 4 is a left side view thereof;  
FIG. 5 is a right side view thereof;  
FIG. 6 is a top view thereof; and,  
FIG. 7 is a bottom view thereof.  
The broken line portions of the needle shield in FIGS. 1, 6, and 7 represent unclaimed portions of the claimed design and form no part thereof.

**1 Claim, 6 Drawing Sheets**



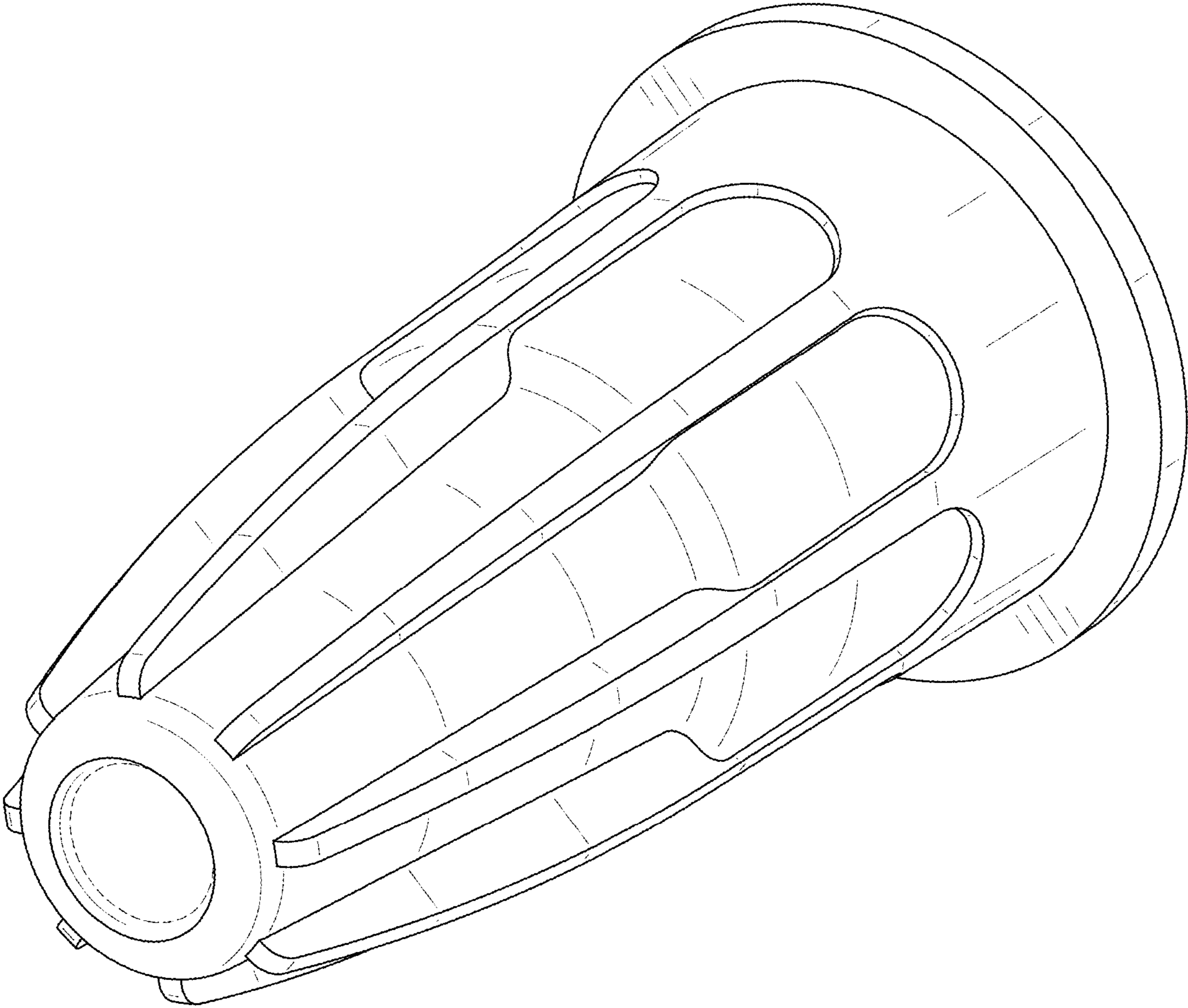


FIG. 1

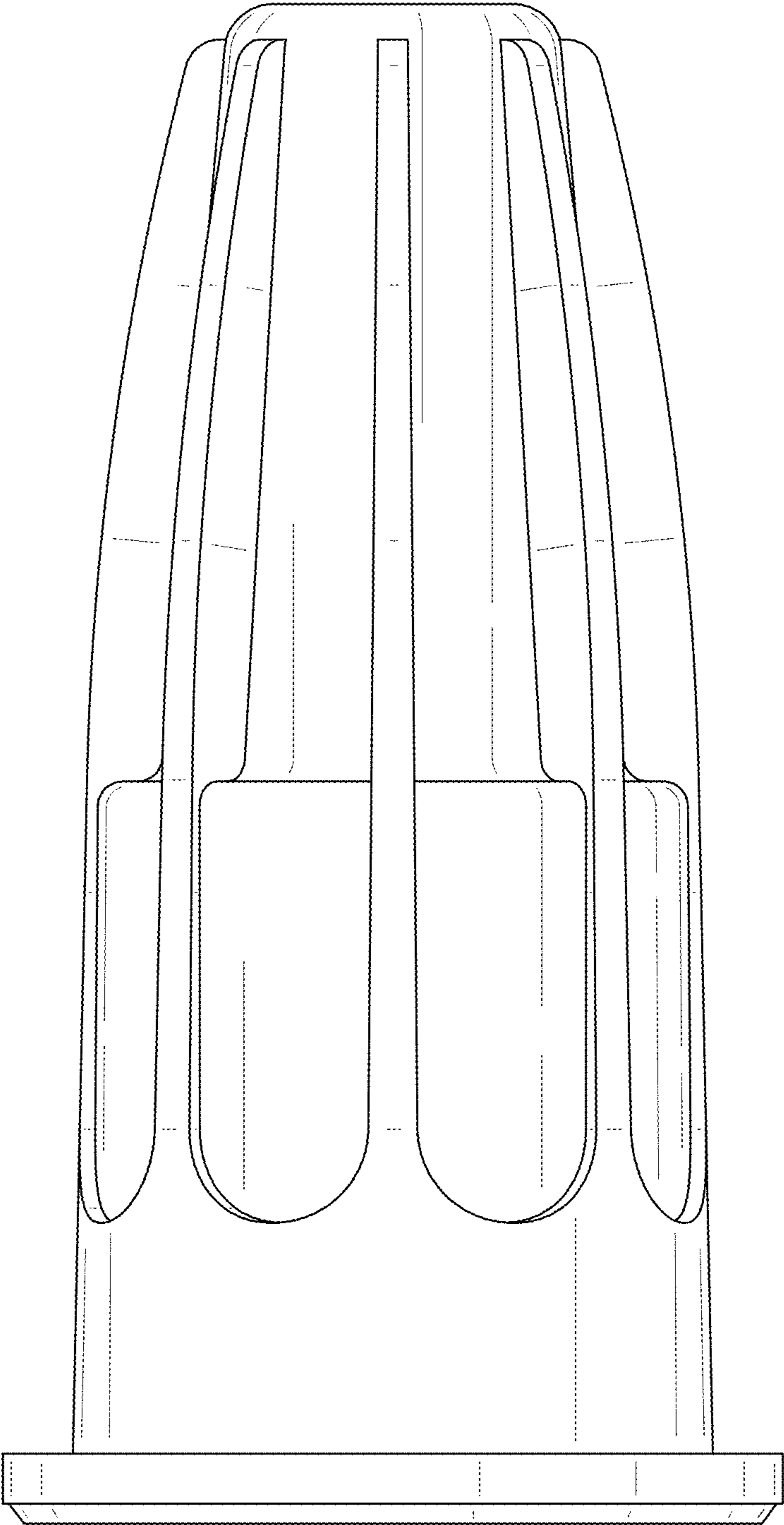


FIG. 2

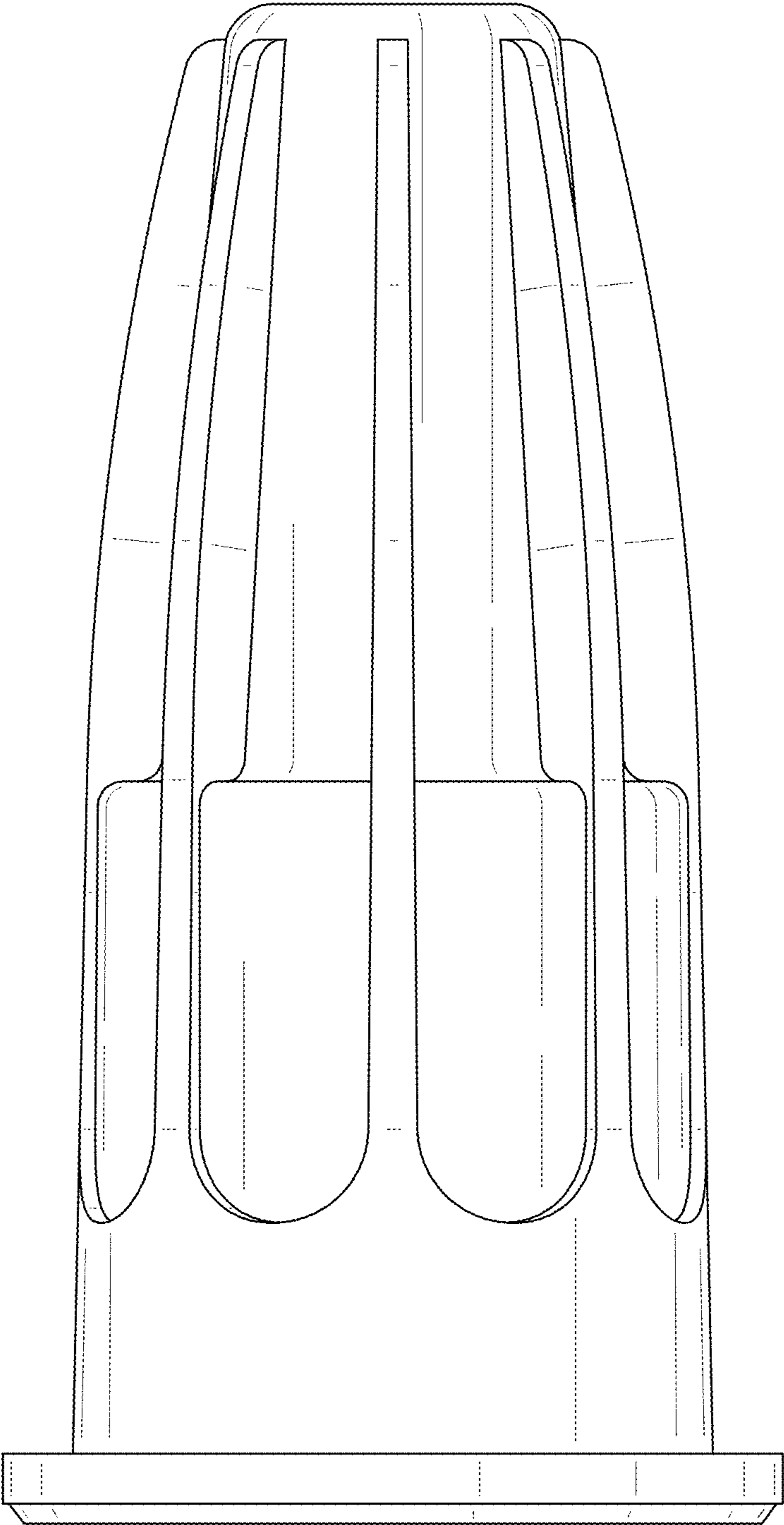


FIG. 3

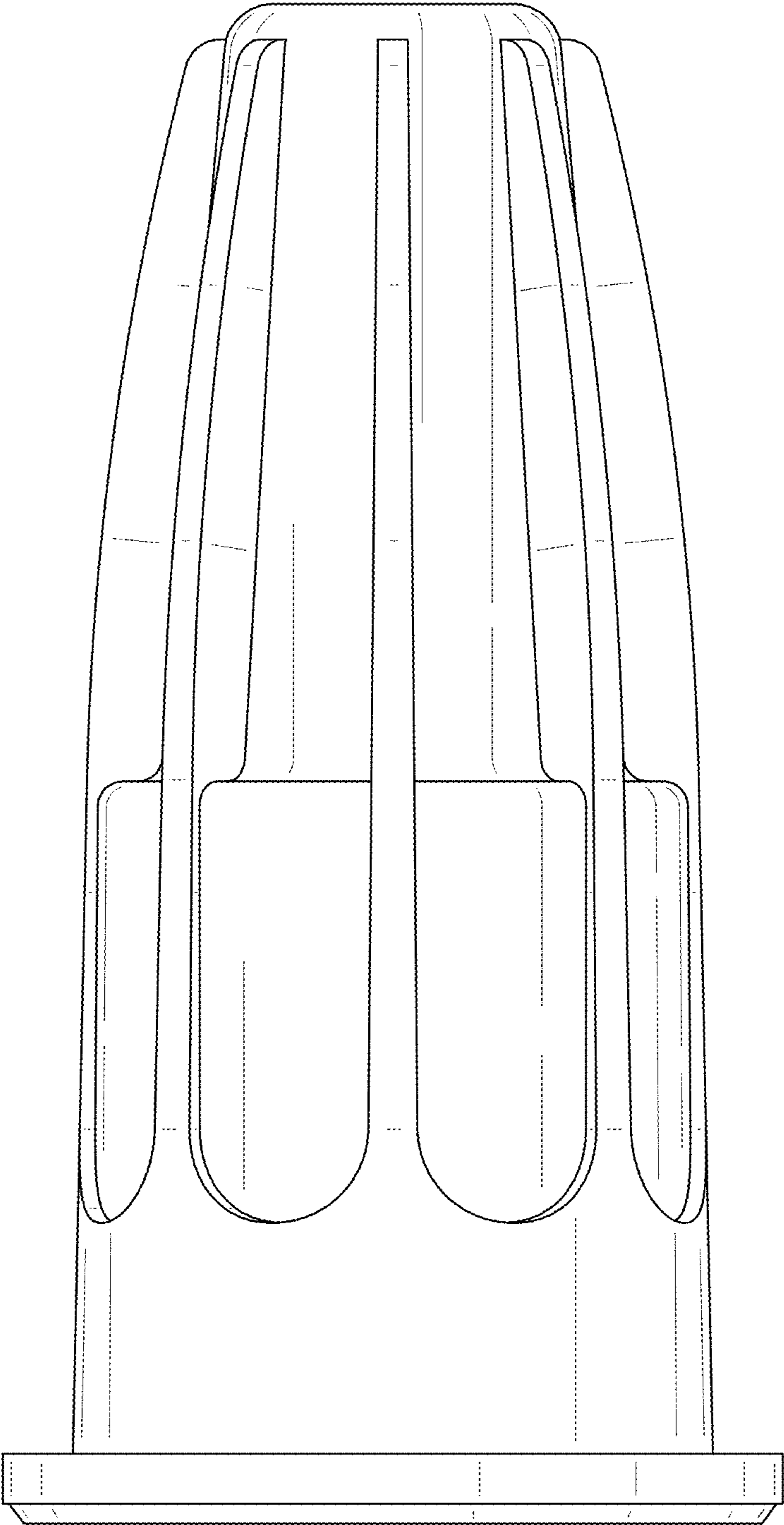


FIG. 4

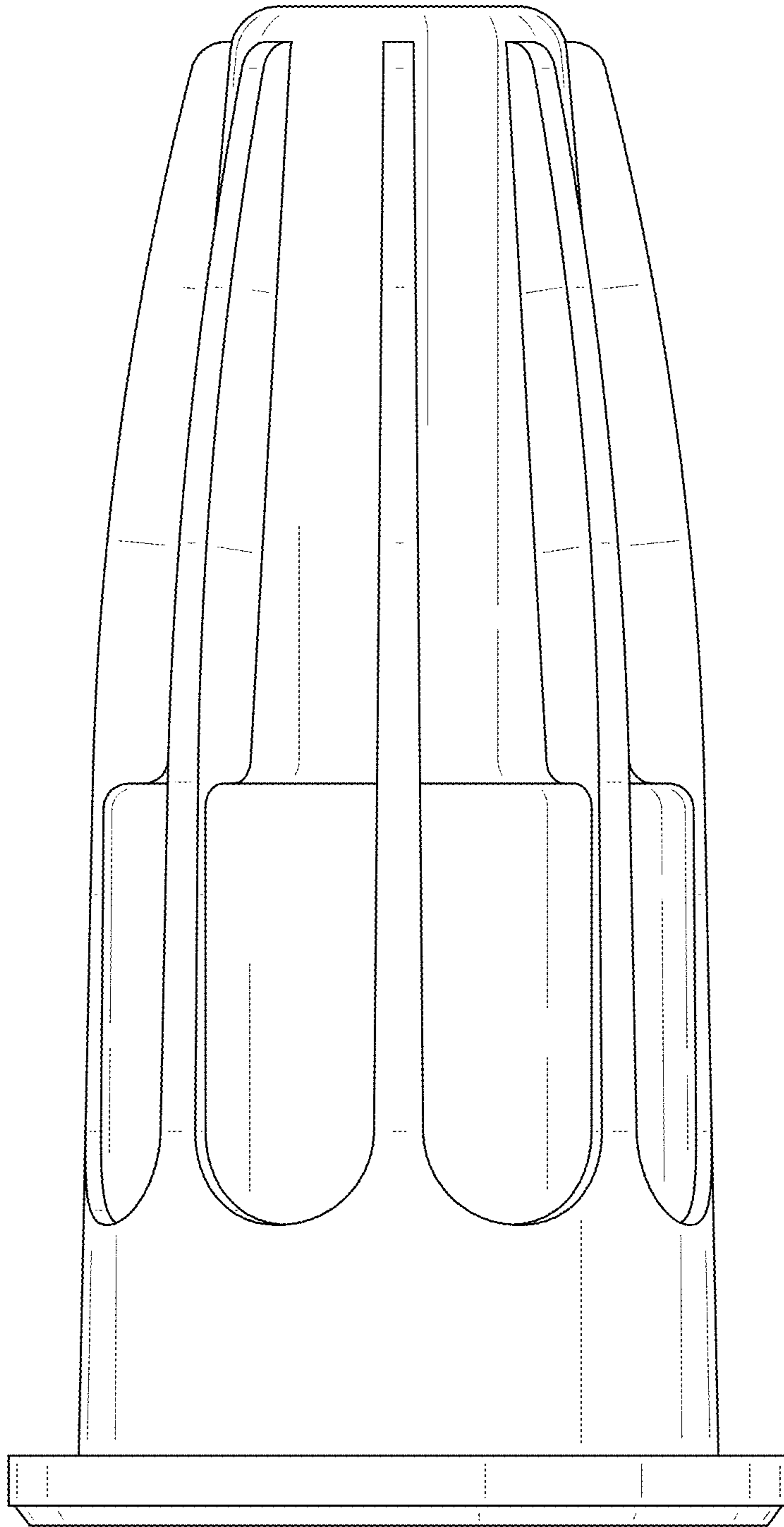


FIG. 5

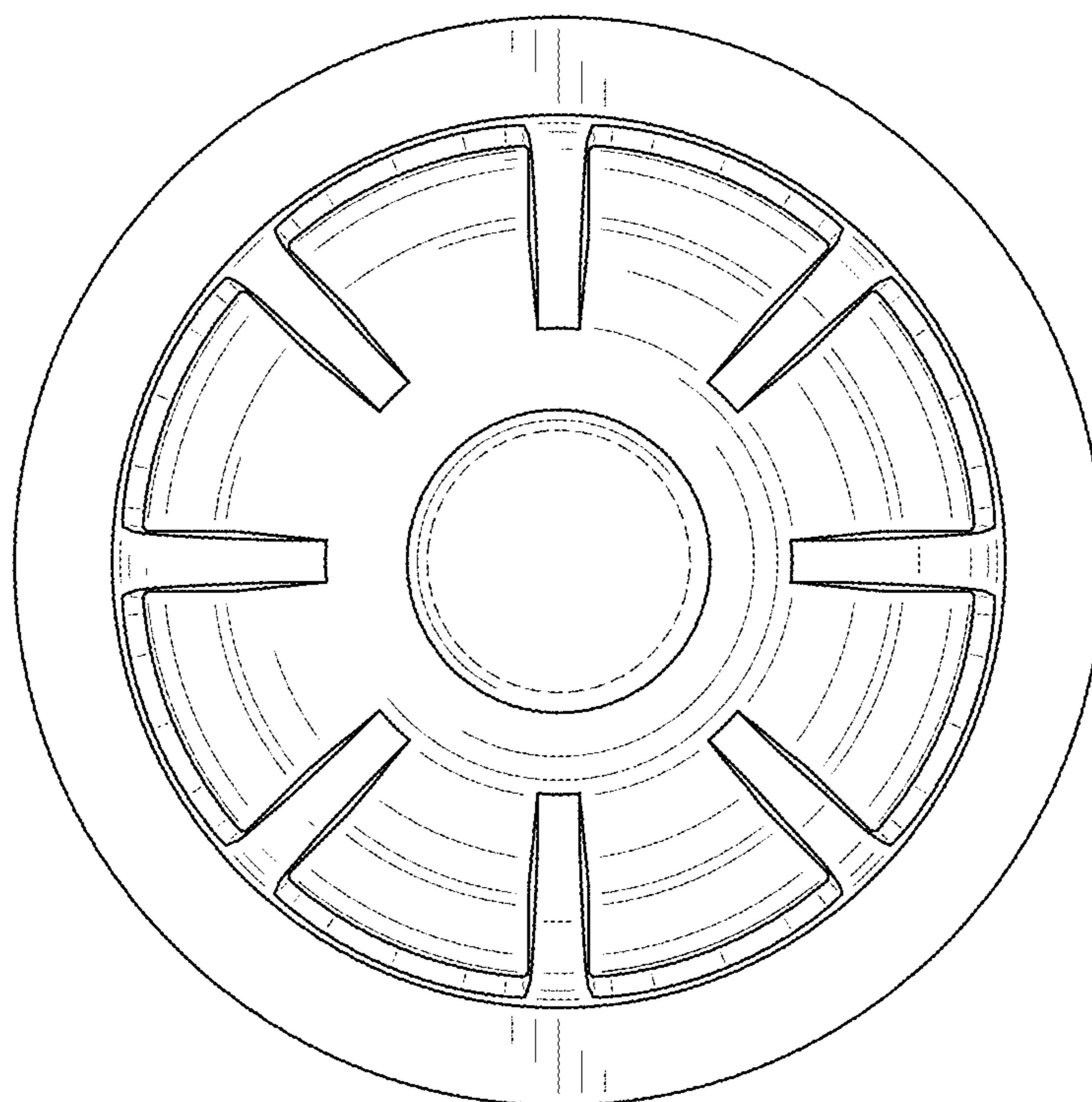


FIG. 6



FIG. 7