



US00D911517S

(12) **United States Design Patent**
Scalise et al.

(10) **Patent No.:** **US D911,517 S**

(45) **Date of Patent:** **** Feb. 23, 2021**

(54) **DRAINAGE BAG OUTLET INCLUDING CLOSURE**

A61J 1/1481; A61J 1/1487; Y10S 128/24;
A61B 2050/314; A61B 50/30; B65D
75/5883; B65D 47/18; B65D 83/30

(71) Applicant: **Hollister Incorporated**, Libertyville, IL (US)

See application file for complete search history.

(72) Inventors: **Anthony Scalise**, Plainfield, IL (US);
Jan Torstensen, Virum (DK); **Brock E. Masters**, Des Plaines, IL (US); **Claire O’Grady**, Castlebar (IE); **Elizabeth M. Starck**, Villiage of Lakewood, IL (US);
Ashish Trivedi, Gurnee, IL (US);
Alexander Nikon, Arlington Heights, IL (US); **Sara Wegener**, Libertyville, IL (US)

(56) **References Cited**

U.S. PATENT DOCUMENTS

D326,321 S * 5/1992 Schneider B65B 55/022
D24/112

D375,357 S * 11/1996 Silver D24/129

(Continued)

FOREIGN PATENT DOCUMENTS

CN 3208506 * 11/2001
CN 302762172 * 3/2014

Primary Examiner — T Chase Nelson

Assistant Examiner — Kelly L Gross

(74) *Attorney, Agent, or Firm* — Levenfeld Pearlstein, LLC

(73) Assignee: **Hollister Incorporated**, Libertyville, IL (US)

(**) Term: **15 Years**

(21) Appl. No.: **29/755,209**

(22) Filed: **Oct. 19, 2020**

(57) **CLAIM**

The ornamental design for a drainage bag outlet including closure, as shown and described.

Related U.S. Application Data

(62) Division of application No. 29/699,069, filed on Jul. 23, 2019.

(51) **LOC (13) Cl.** **24-02**

(52) **U.S. Cl.**
USPC **D24/129; D24/108**

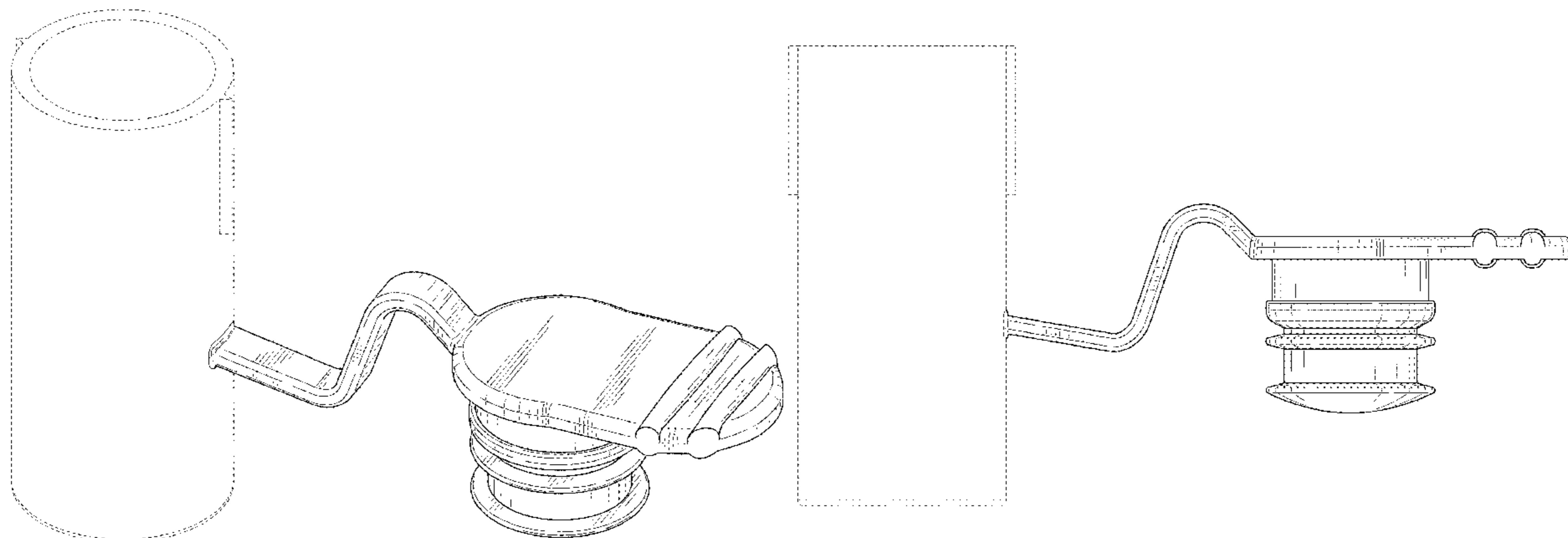
(58) **Field of Classification Search**
USPC D24/107, 108, 110, 110.4–110.6,
D24/111–115, 117–122, 123, 130, 133,
D24/141, 152, 186, 215, 116, 216–219,
D24/231, 232, 164, 128, 109, 127, 129;
D9/436, 439, 440, 447, 723, 435, 444,
D9/521, 529, 549, 558, 574, 575,
D9/686–694

CPC A61J 1/10; A61J 1/1462; A61J 2200/76;
A61J 15/00; A61J 1/05; A61J 1/1406;
A61J 1/1475; A61J 1/201; A61J 1/2024;
A61J 1/2055; A61J 1/2093; A61J 1/2096;

DESCRIPTION

FIG. 1 is a top, front perspective view of a drainage bag outlet including closure embodying our new design;
FIG. 2 is a front view thereof;
FIG. 3 is a rear view thereof;
FIG. 4 is a side view thereof as seen from the right-hand side of FIG. 2;
FIG. 5 is a side view thereof as seen from the left-hand side of FIG. 2;
FIG. 6 is a top view thereof; and,
FIG. 7 is a bottom view thereof.
Portions of the drainage bag outlet including closure shown in phantom lines in FIGS. 1-7 form no part of the claimed design.

1 Claim, 5 Drawing Sheets



(56)

References Cited

U.S. PATENT DOCUMENTS

D437,782 S * 2/2001 Haley D9/440
 6,273,307 B1 * 8/2001 Gross B65D 75/5883
 220/613
 6,439,429 B1 * 8/2002 Gross B65D 41/34
 222/92
 D464,262 S * 10/2002 Drennow D9/446
 D484,593 S * 12/2003 Baillargeon D24/129
 D487,227 S * 3/2004 Haley D9/434
 D489,978 S * 5/2004 Brown D9/440
 D544,096 S * 6/2007 Walters D24/121
 7,232,042 B2 * 6/2007 Last B65D 75/5883
 222/1
 D578,001 S * 10/2008 Braukmann D9/453
 7,850,044 B2 * 12/2010 Hildebrand B29C 66/949
 222/107
 D640,553 S * 6/2011 Eiteljorg D9/443
 D662,202 S * 6/2012 O'Donnell D24/118
 D689,187 S * 9/2013 Kruger D24/127
 D720,452 S * 12/2014 Jordan D24/130
 D724,198 S * 3/2015 Oostman D24/110.6
 D730,730 S * 6/2015 Haley D9/440
 D732,664 S * 6/2015 Woehr D24/130
 D736,914 S * 8/2015 Schultz D24/129
 D737,436 S * 8/2015 Lev D24/129
 D781,417 S * 3/2017 Ingram D24/127
 D784,526 S * 4/2017 Grunhut D24/127
 D785,170 S * 4/2017 Swisher D24/129
 9,611,079 B2 * 4/2017 Mazurkiewicz ... B65D 41/0421
 D791,724 S * 7/2017 Becker D24/129
 D791,938 S * 7/2017 Becker D24/129
 9,701,451 B2 * 7/2017 Skillin B65D 47/0838
 D797,927 S * 9/2017 Schuessler D24/129
 D797,942 S * 9/2017 Krauss D24/186
 9,751,677 B2 * 9/2017 Fiere B65D 51/18
 D802,124 S * 11/2017 Guala D24/129
 D803,048 S * 11/2017 Ploeger D9/435

D804,660 S * 12/2017 Shoji B29C 66/949
 D24/129
 D804,661 S * 12/2017 Shoji B29C 66/232
 D24/129
 D805,193 S * 12/2017 Shoji B65D 75/5883
 D24/129
 D834,712 S * 11/2018 Gulliver D24/129
 D842,460 S * 3/2019 Gierse D24/127
 D842,462 S * 3/2019 Guala B65D 41/34
 D24/129
 D845,474 S * 4/2019 Gloria Bello B65D 75/5883
 D24/129
 10,370,166 B2 * 8/2019 Moretti B65D 75/5883
 10,442,582 B1 * 10/2019 Ekkert B29C 66/232
 10,486,880 B2 * 11/2019 Franca B29C 66/114
 10,501,241 B2 * 12/2019 Berge B65D 47/122
 D887,577 S * 6/2020 Shor B65D 75/5883
 D24/227
 10,669,076 B2 * 6/2020 Van Der Molen B65D 41/47
 10,688,295 B2 * 6/2020 Lev A61M 5/162
 D891,613 S * 7/2020 Choate D24/119
 D892,319 S * 8/2020 Park B65D 47/0838
 D24/129
 D894,370 S * 8/2020 Lin D24/110
 D897,206 S * 9/2020 Moore A61M 39/10
 D9/449
 D899,901 S * 10/2020 Barnes A61J 15/0092
 D8/354
 D899,926 S * 10/2020 Guduru A61M 39/165
 D9/439
 10,829,286 B2 * 11/2020 Murray B65B 55/022
 2008/0183153 A1 * 7/2008 Enns A61M 39/20
 604/533
 2010/0185159 A1 * 7/2010 Bagwell A61J 15/0092
 604/256
 2012/0016318 A1 * 1/2012 Hoang A61M 39/165
 604/288.01
 2016/0089528 A1 * 3/2016 Schuessler A61M 39/10
 604/535

* cited by examiner

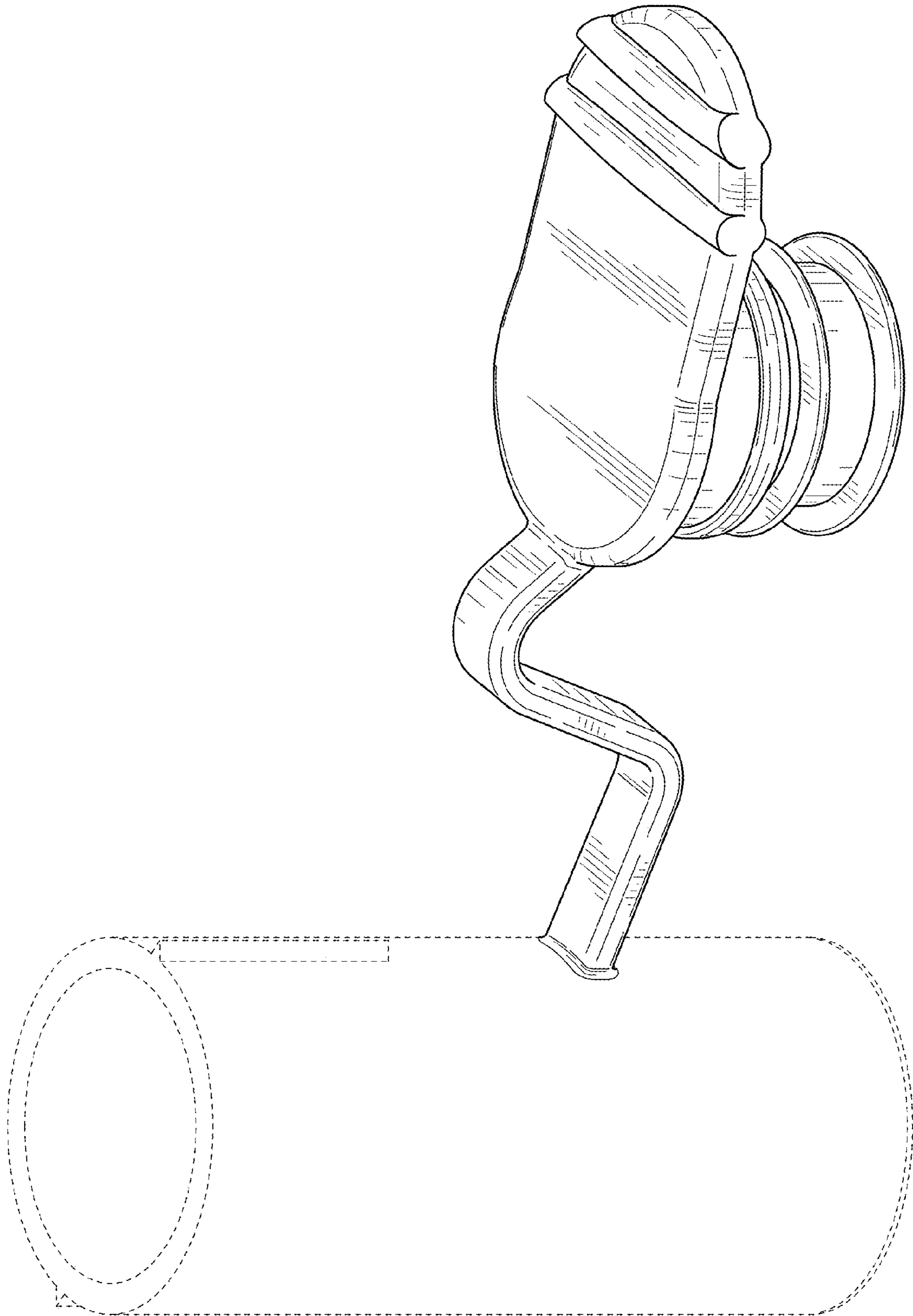


FIG. 1

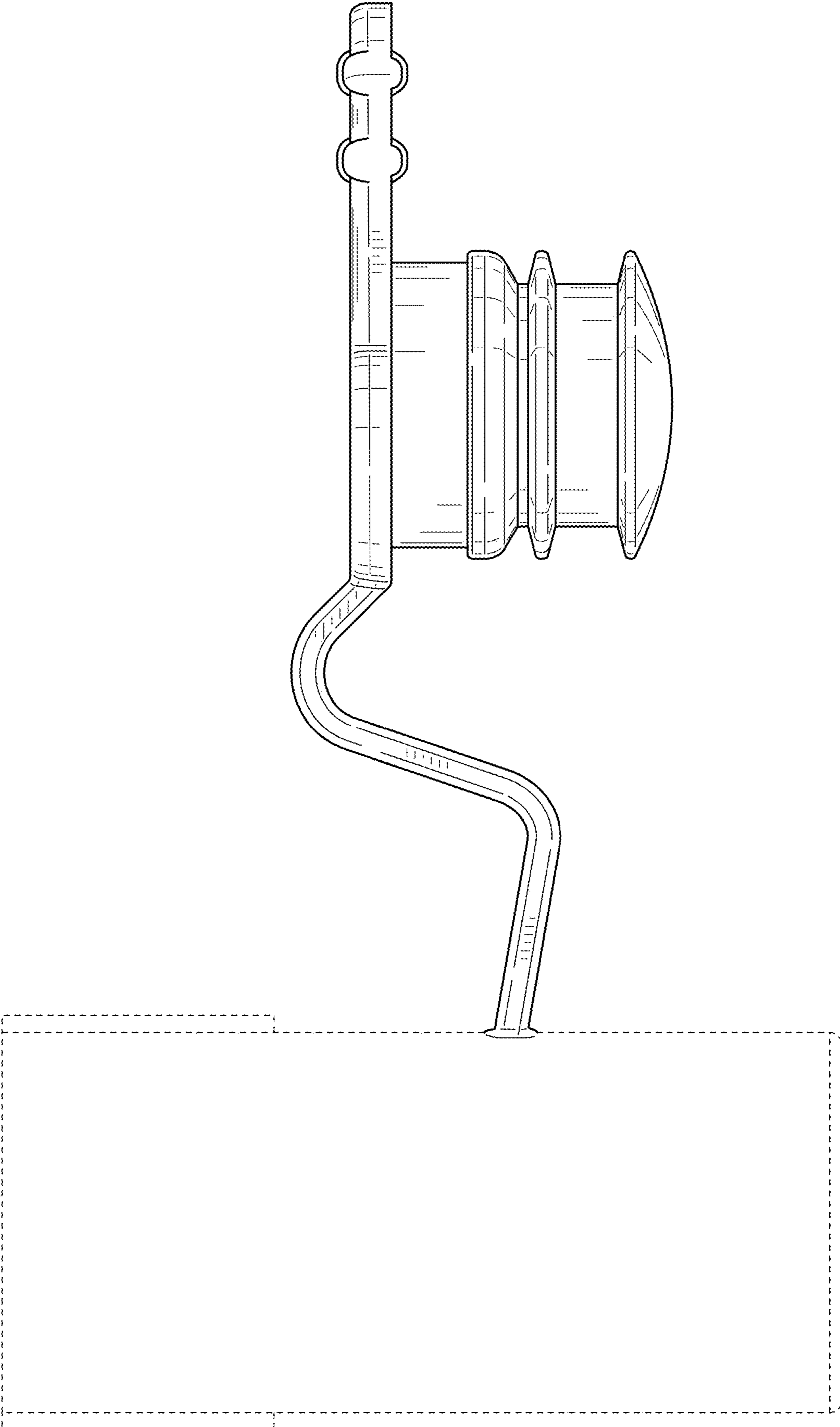


FIG. 2

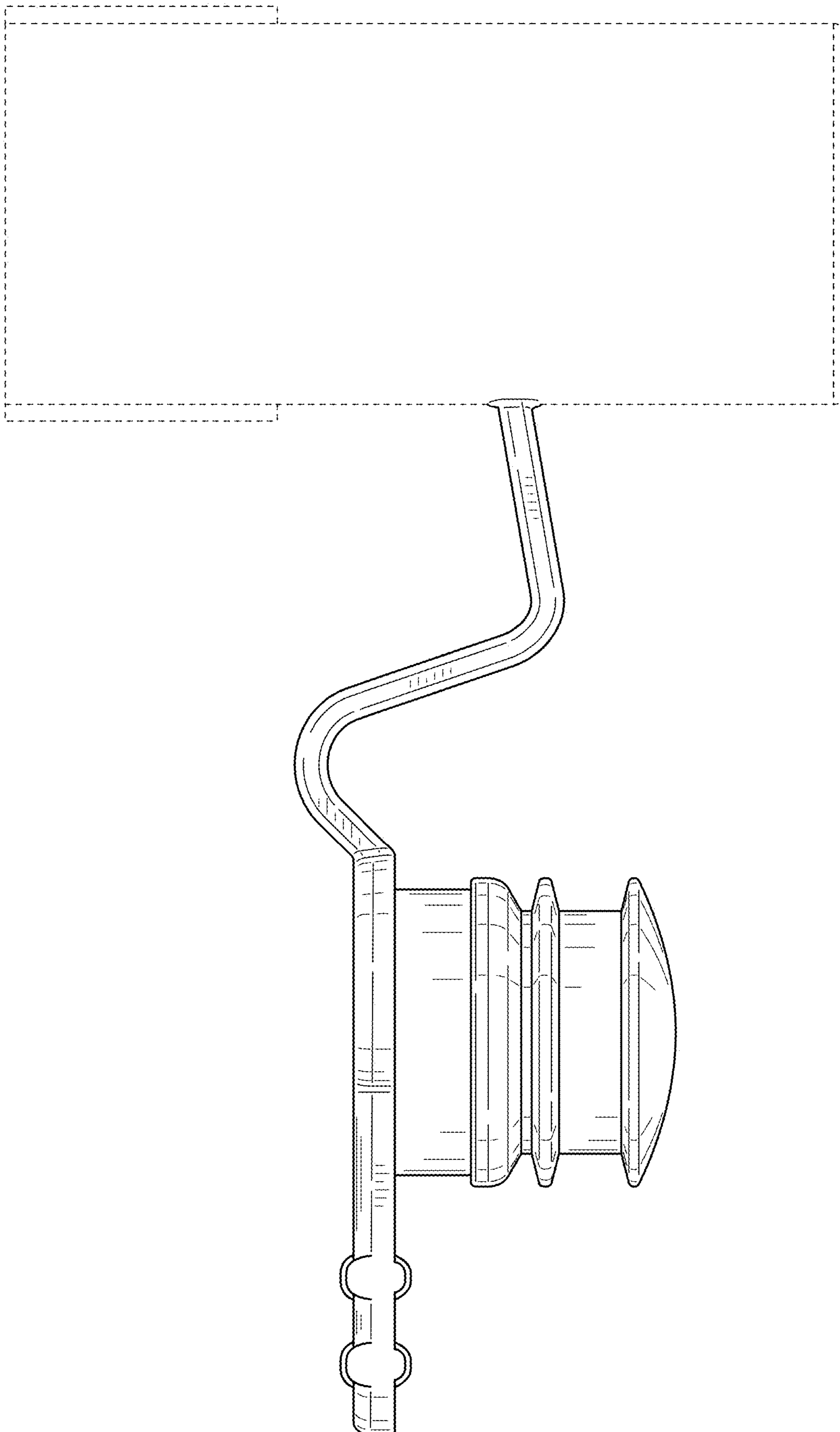


FIG. 3

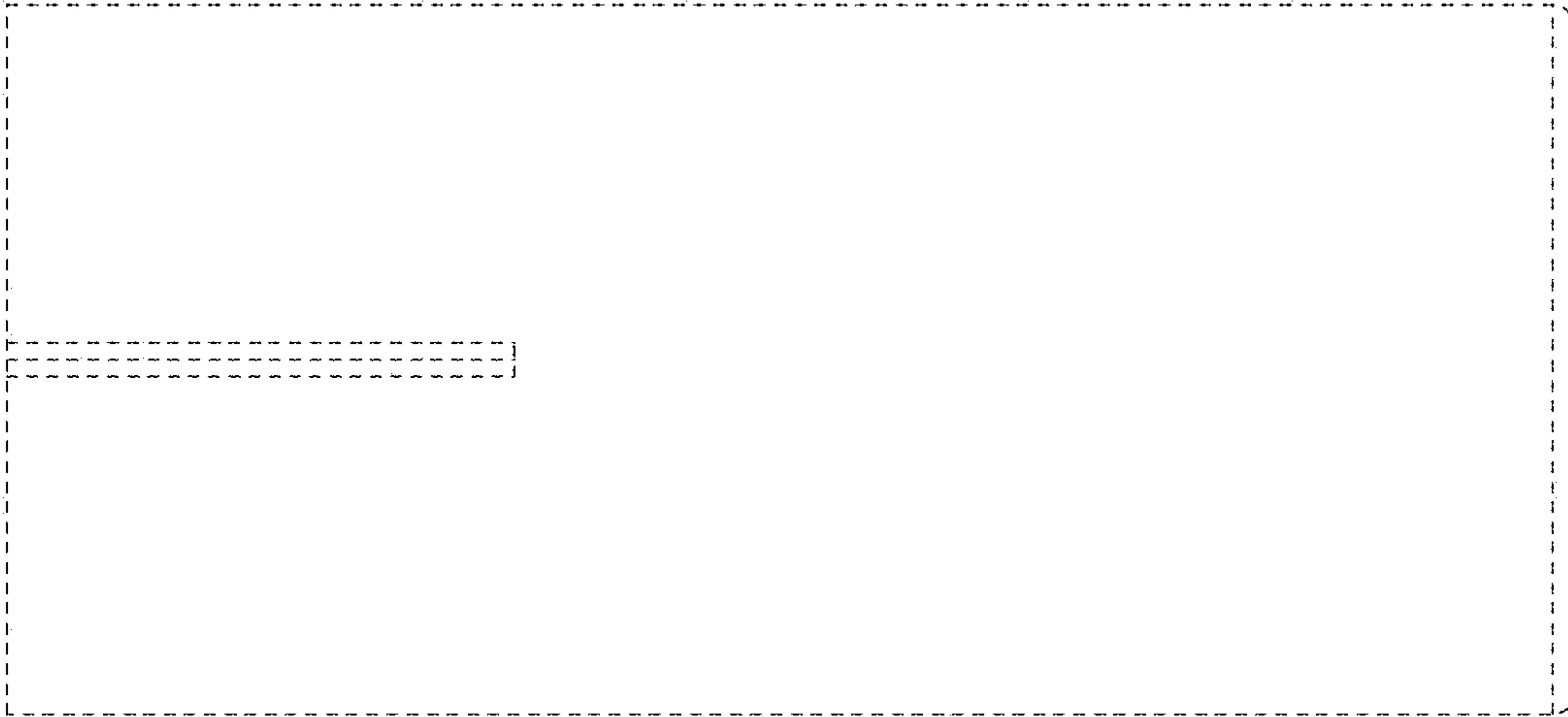


FIG. 4

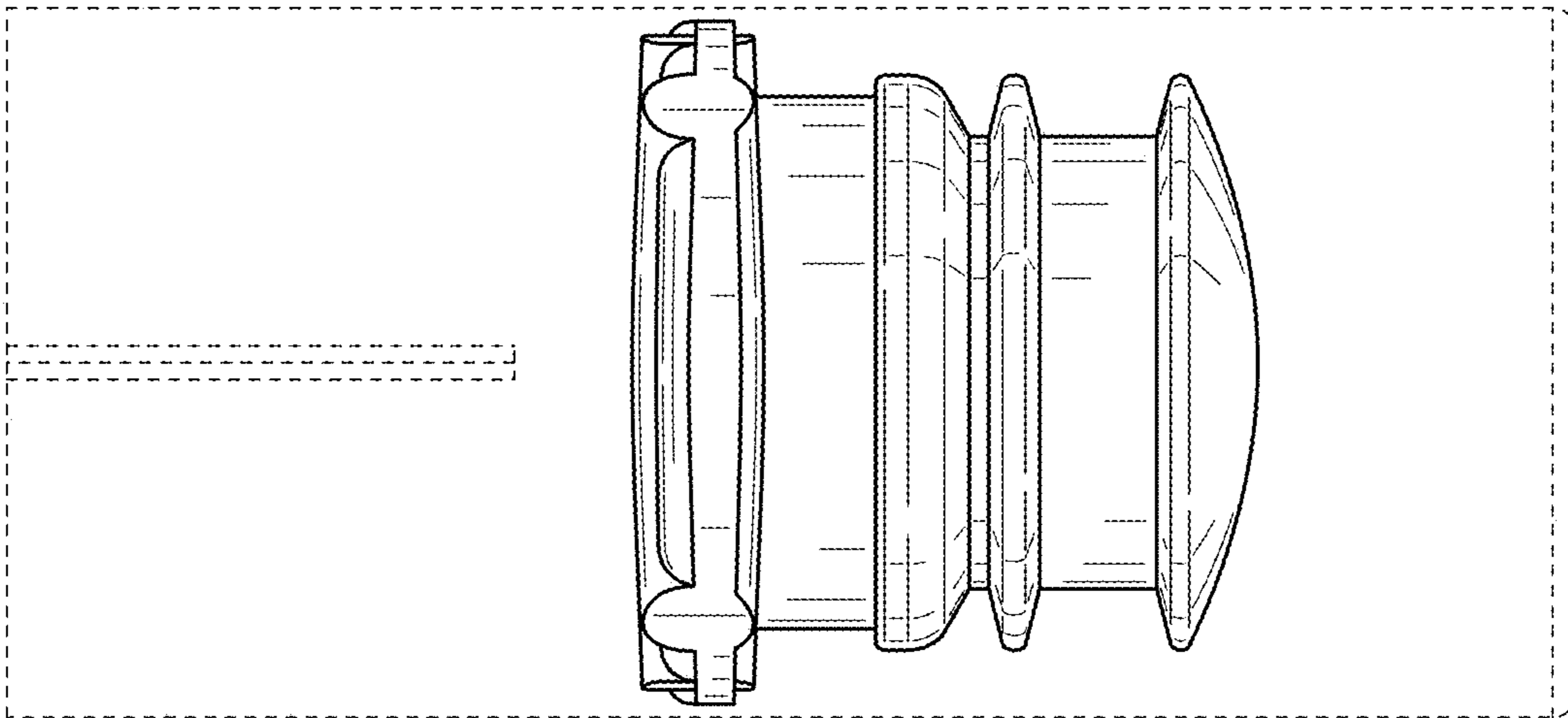


FIG. 5

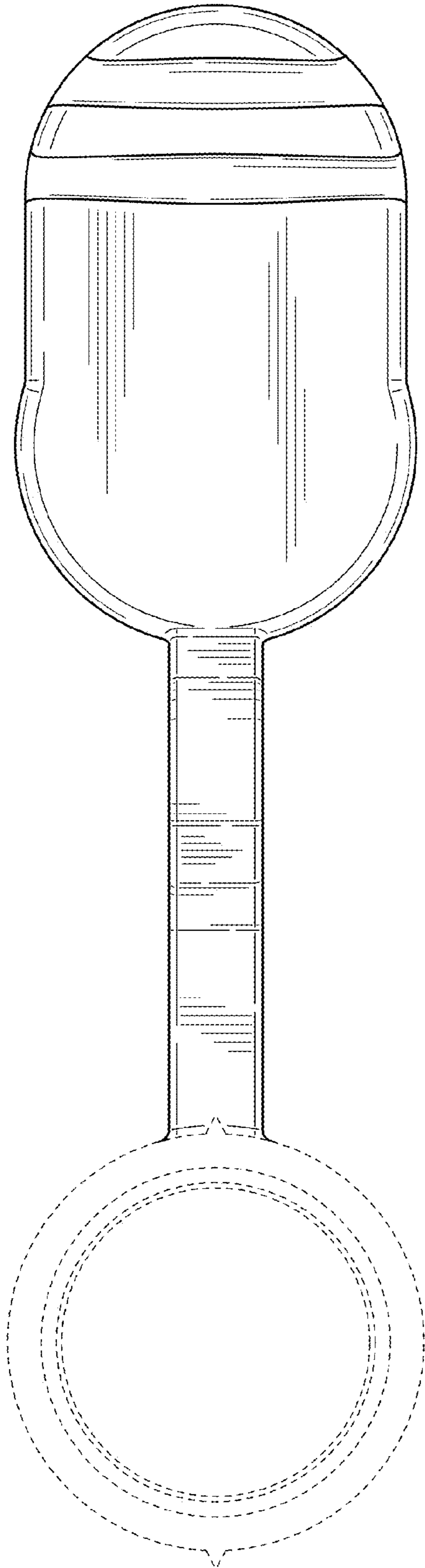


FIG. 6

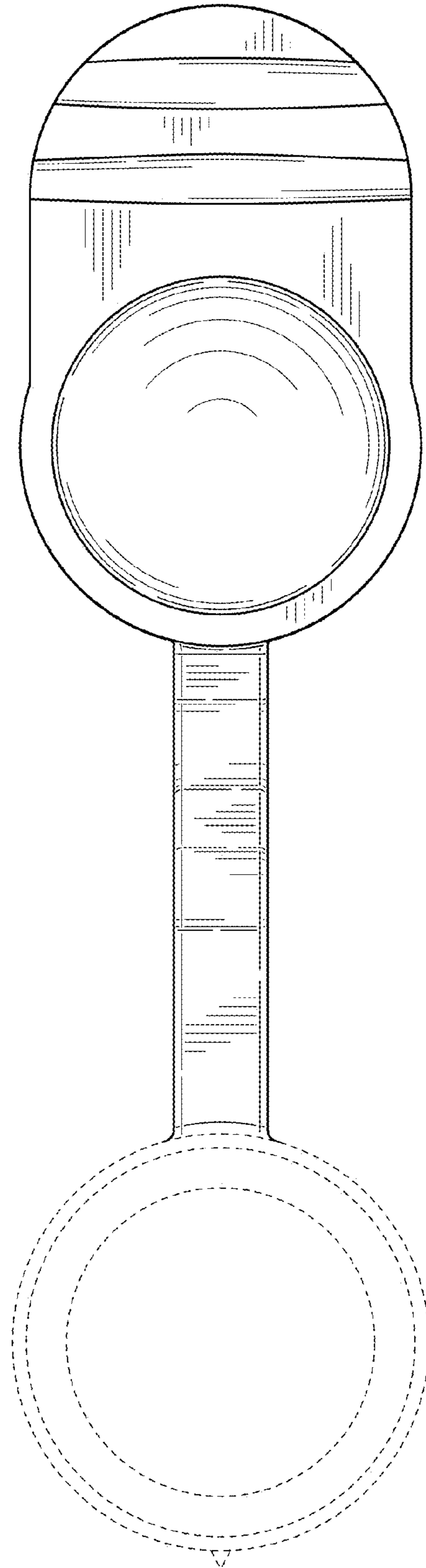


FIG. 7