



US00D911516S

(12) **United States Design Patent** (10) **Patent No.:** **US D911,516 S**
Kiemeneij et al. (45) **Date of Patent:** **** Feb. 23, 2021**

(54) **HEMOSTASIS DEVICE**

FOREIGN PATENT DOCUMENTS

(71) Applicants: **Merit Medical Systems, Inc.**, South Jordan, UT (US); **Ferdinand Kiemeneij**, South Jordan, UT (US)

CN 201205292 3/2009
CN 201861701 6/2011

(Continued)

(72) Inventors: **Ferdinand Kiemeneij**, South Jordan, UT (US); **Tyler Rees**, Draper, UT (US); **Aaron Hopkinson**, Herriman, UT (US)

OTHER PUBLICATIONS

Merit Medical Adds 2 New Products for Assisting Hemostasis, posted at merit.com, no posting date, retrieved Aug. 26, 2020, online, URL: <https://www.merit.com/articles/merit-medical-adds-2-new-products-assisting-hemostasis/> (Year: 2020).*

(Continued)

(73) Assignee: **Merit Medical Systems, Inc.**, South Jordan, UT (US)

(**) Term: **15 Years**

Primary Examiner — Lilyana Bekic

Assistant Examiner — Mary Shannon Malley

(21) Appl. No.: **29/653,828**

(74) *Attorney, Agent, or Firm* — Stoel Rives LLP

(22) Filed: **Jun. 19, 2018**

(57) **CLAIM**

(51) **LOC (13) Cl.** **24-01**

The ornamental design for a hemostasis device, as shown and described.

(52) **U.S. Cl.**

USPC **D24/128**

DESCRIPTION

(58) **Field of Classification Search**

USPC D24/112–114, 108, 133, 127–130, 186, D24/189, 190

CPC A61M 25/01; A61M 25/002; A61M 25/0113; A61M 25/0111; A61M 39/06; A61B 17/1325; A61B 17/135

See application file for complete search history.

FIG. 1 is an isometric top view of a hemostasis device.

FIG. 2 is an isometric bottom view thereof.

FIG. 3 is a top plan view thereof.

FIG. 4 is a front elevational view thereof.

FIG. 5 is a bottom plan view thereof.

FIG. 6 is a rear elevational view thereof.

FIG. 7 is a left side elevational view thereof.

FIG. 8 is a right side elevational view thereof.

FIG. 9 is a perspective view of the hemostasis device in use; and,

FIG. 10 is a perspective view of the hemostasis device in use.

The broken lines showing a hand in FIGS. 9-10 depict environmental subject matter that forms no part of the claimed design. All other broken lines depict portions of the hemostasis device that form no part of the claimed design.

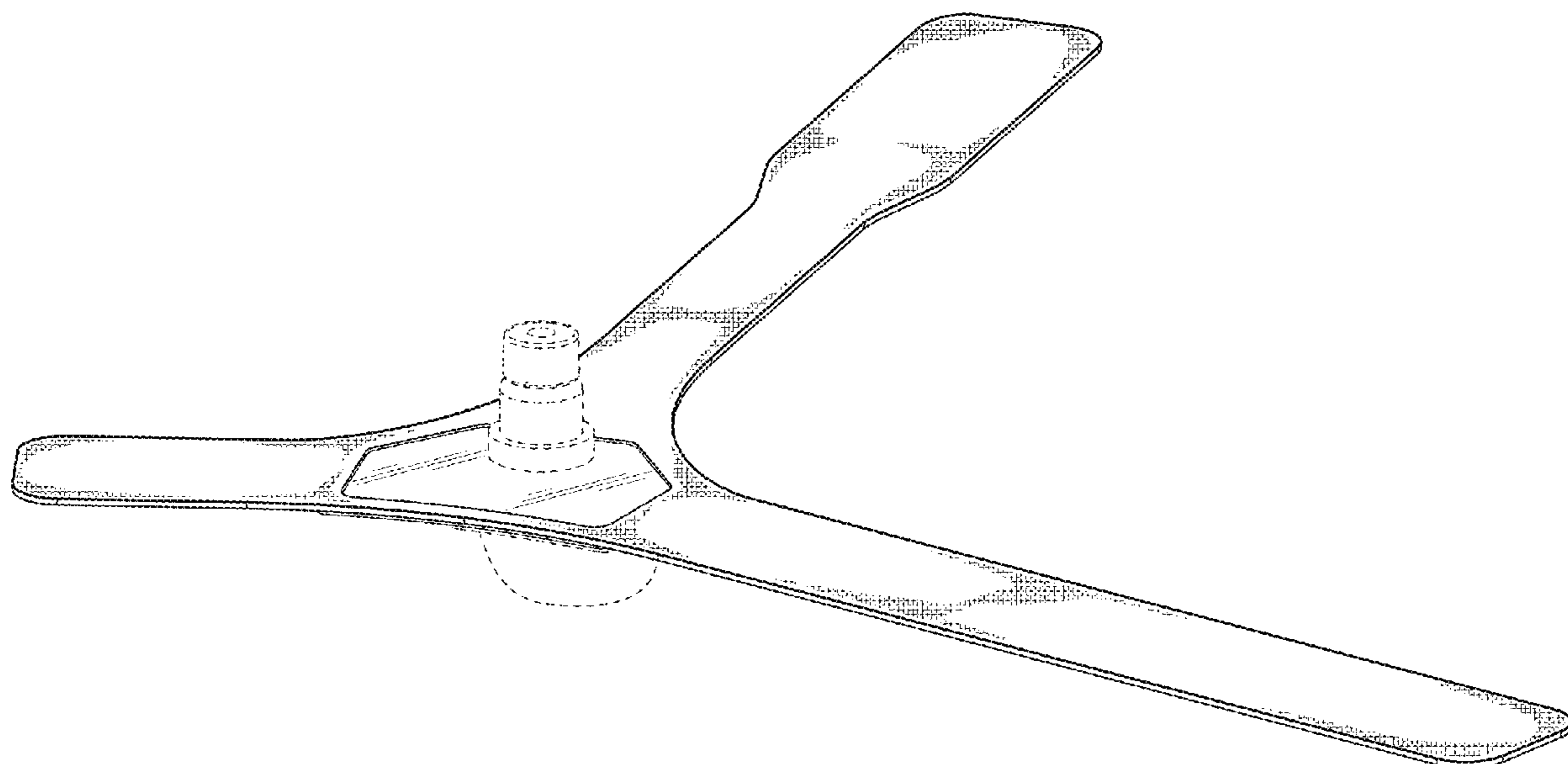
(56) **References Cited**

U.S. PATENT DOCUMENTS

1,281,653 A 10/1918 Plummer
2,332,107 A 10/1943 Nieburgs
3,050,064 A 8/1962 Moore et al.
3,376,846 A 4/1968 Sekigushi et al.
4,307,799 A 12/1981 Zouzaoulas
4,390,519 A * 6/1983 Sawyer A61L 15/325
128/DIG. 8

(Continued)

1 Claim, 7 Drawing Sheets



(56)

References Cited

U.S. PATENT DOCUMENTS

4,479,495 A 10/1984 Isaacson
 4,557,262 A 12/1985 Snow
 5,139,512 A 8/1992 Dreiling et al.
 5,269,803 A 12/1993 Geary et al.
 5,304,186 A 4/1994 Semler et al.
 5,304,201 A 4/1994 Rice
 5,613,491 A 3/1997 Kanner et al.
 5,728,120 A 3/1998 Shani et al.
 5,779,657 A 7/1998 Daneshvar
 5,997,564 A 12/1999 Shehata et al.
 6,068,646 A 5/2000 Lam
 6,647,986 B1 11/2003 Korotko et al.
 6,833,001 B1 12/2004 Chao
 7,758,574 B2 7/2010 Hijii et al.
 7,780,612 B2 8/2010 Ross
 8,147,417 B2 4/2012 Gavriely
 8,632,840 B2 1/2014 Avitable
 8,845,680 B2 9/2014 Lampropoulos et al.
 9,332,994 B2 5/2016 Pancholy et al.
 D804,663 S * 12/2017 Jenkins D24/130
 D821,590 S * 6/2018 Hylton D24/190
 10,172,625 B2 1/2019 Wada et al.
 10,463,833 B2 * 11/2019 Clarke A61L 29/14
 10,492,797 B2 12/2019 Okamura
 D893,034 S * 8/2020 Kase D24/189
 2002/0188315 A1 12/2002 Guzman et al.
 2003/0055453 A1 3/2003 Akerfeldt
 2005/0113866 A1 5/2005 Heinz et al.
 2005/0125025 A1 * 6/2005 Rioux A61B 17/0057
 606/201
 2006/0058841 A1 3/2006 Mills et al.
 2006/0190026 A1 8/2006 Sanders
 2007/0239092 A1 10/2007 Ross
 2007/0270720 A1 11/2007 Fry
 2009/0209896 A1 8/2009 Selevan
 2009/0240182 A1 * 9/2009 Weber A61F 5/0118
 602/21
 2009/0281565 A1 11/2009 McNeese
 2010/0217202 A1 8/2010 Clark
 2010/0280541 A1 11/2010 Lampropoulos
 2012/0221041 A1 * 8/2012 Hansson A61B 17/1325
 606/203
 2012/0238934 A1 9/2012 Daring
 2012/0296369 A1 * 11/2012 Atthoff A61B 17/1322
 606/202
 2013/0079723 A1 3/2013 Andino et al.
 2013/0237866 A1 9/2013 Cohen
 2013/0245675 A1 9/2013 Wada et al.
 2013/0289613 A1 10/2013 Wada et al.
 2014/0012120 A1 1/2014 Cohen et al.
 2014/0012313 A1 1/2014 Finkielstien et al.
 2014/0142615 A1 5/2014 Corrigan, Jr.
 2015/0018869 A1 * 1/2015 Benz A61B 17/135
 606/203
 2015/0164436 A1 6/2015 Maron et al.
 2015/0201948 A1 7/2015 Kornowski et al.
 2015/0327871 A1 11/2015 Fortson et al.
 2016/0183921 A1 6/2016 Pancholy
 2017/0273693 A1 9/2017 Morrison et al.
 2018/0000494 A1 1/2018 Wada et al.
 2018/0008281 A1 1/2018 Hazama
 2018/0008282 A1 1/2018 Hazama et al.
 2018/0008283 A1 1/2018 Hazama
 2018/0014832 A1 * 1/2018 Lampropoulos ... A61B 17/1355
 2018/0028195 A1 2/2018 Benz et al.
 2018/0042615 A1 2/2018 Kimura et al.
 2018/0070956 A1 * 3/2018 Lampropoulos A61B 17/135
 2018/0185032 A1 7/2018 Matsushita et al.
 2018/0250017 A1 9/2018 Matsushita et al.
 2018/0280008 A1 10/2018 Okamura
 2019/0021742 A1 1/2019 Hazama
 2019/0029693 A1 1/2019 Okamura
 2019/0046214 A1 2/2019 Hazama
 2019/0133602 A1 * 5/2019 Kiemeneij A61B 17/1325

2019/0133604 A1 5/2019 Maeda et al.
 2019/0133605 A1 5/2019 Hazama et al.
 2019/0133606 A1 5/2019 Hazama
 2019/0133607 A1 5/2019 Hazama
 2019/0150938 A1 5/2019 Hazama et al.
 2019/0274692 A1 * 9/2019 Lampropoulos A61B 17/135
 2019/0314035 A1 * 10/2019 Hopkinson A61B 17/1325
 2020/0029946 A1 * 1/2020 Green A61B 17/08

FOREIGN PATENT DOCUMENTS

DE 4006696 11/1990
 FR 2828231 2/2003
 JP 2012010823 1/2012
 JP 2013111444 6/2013
 JP 6211285 10/2014
 JP 2014200308 10/2014
 JP 6261368 8/2015
 JP 2015150298 8/2015
 JP 6389510 9/2015
 JP 6261420 11/2015
 JP 2015188608 11/2015
 JP 2017000259 1/2017
 JP 2017000260 1/2017
 JP 2017047036 3/2017
 JP 2018011798 1/2018
 JP 2018011867 1/2018
 JP 2018019927 2/2018
 JP 2018033602 3/2018
 JP 2018075257 5/2018
 JP 2018171081 11/2018
 JP 2019047956 3/2019
 JP 2019058498 4/2019
 JP 6544854 6/2019
 JP 6559128 7/2019
 JP 2019154915 9/2019
 JP 2019166265 10/2019
 JP 2019208953 12/2019
 JP 2019216947 12/2019
 JP 2019217130 12/2019
 JP 2020014588 1/2020
 JP 6667234 2/2020
 JP 202018686 2/2020
 JP 202022679 2/2020
 JP 202039815 3/2020
 JP 202039816 3/2020
 WO 2004041313 5/2004
 WO 2017043536 3/2017
 WO 2015141786 4/2017
 WO 2018017365 1/2018

OTHER PUBLICATIONS

Office Action dated Sep. 6, 2019 for U.S. Appl. No. 15/705,759.
 International Search Report and Written Opinion dated Jul. 30, 2019
 for PCT/US2019/026785.
 Pua, et al., "Snuffbox" Distal Radial Access, J Vasc Interv Radiol,
 No. 29:44 ,2018.
 Zhou, et al., Transient Ulnar Artery Compression Facilitates Transradial
 Access, Medicine, No. 95:48 ,2016.
 Office Action dated Jan. 8, 2020 for U.S. Appl. No. 15/648,110.
 International Search Report and Written Opinion dated Jun. 12,
 2019 for PCT/US2019/020980.
 Office Action dated May 28, 2019 for U.S. Appl. No. 15/648,110.
 Office Action dated Jan. 10, 2019 for U.S. Appl. No. 15/705,759.
 International Search Report and Written Opinion dated May 14,
 2019 for PCT/US2018/058992.
 European Search Report dated Sep. 7, 2017 for EP 09763115.4.
 International Search Report and Written Opinion dated Nov. 28,
 2017 for PCT/US2017/041726.
 International Search Report and Written Opinion dated Dec. 26,
 2017 for PCT/US2017/051715.
 International Search Report dated Nov. 18, 2009 for PCT/US2009/
 042868.

(56)

References Cited

OTHER PUBLICATIONS

MedPlus, Inc., Tourniquet (Radial Artery Compression Device), http://www.bikudo.com/product_search/details/187473/tourniquet_radial_artery_compression_device.html Nov. 24, 2009.

Notice of Allowance dated Jun. 9, 2014 for U.S. Appl. No. 13/741,046.

Notice of Allowance dated Oct. 16, 2012 for U.S. Appl. No. 12/435,227.

Office Action dated Feb. 14, 2014 for U.S. Appl. No. 13/741,046.

Office Action dated Mar. 2, 2011 for U.S. Appl. No. 12/349,405.

Office Action dated Mar. 5, 2013 for U.S. Appl. No. 13/741,046.

Office Action dated Jun. 6, 2016 for U.S. Appl. No. 14/033,177.

Office Action dated Jun. 28, 2011 for U.S. Appl. No. 12/349,405.

Office Action dated Aug. 17, 2012 for U.S. Appl. No. 12/349,405.

Office Action dated Nov. 3, 2015 for U.S. Appl. No. 14/033,177.

Office Action dated Dec. 8, 2011 for U.S. Appl. No. 12/349,405.

Office Action dated Dec. 27, 2016 for U.S. Appl. No. 14/033,177.

Office Action dated Sep. 16, 2020 for U.S. Appl. No. 16/380,505.

Office Action dated Oct. 8, 2020 for U.S. Appl. No. 16/179,257.

* cited by examiner

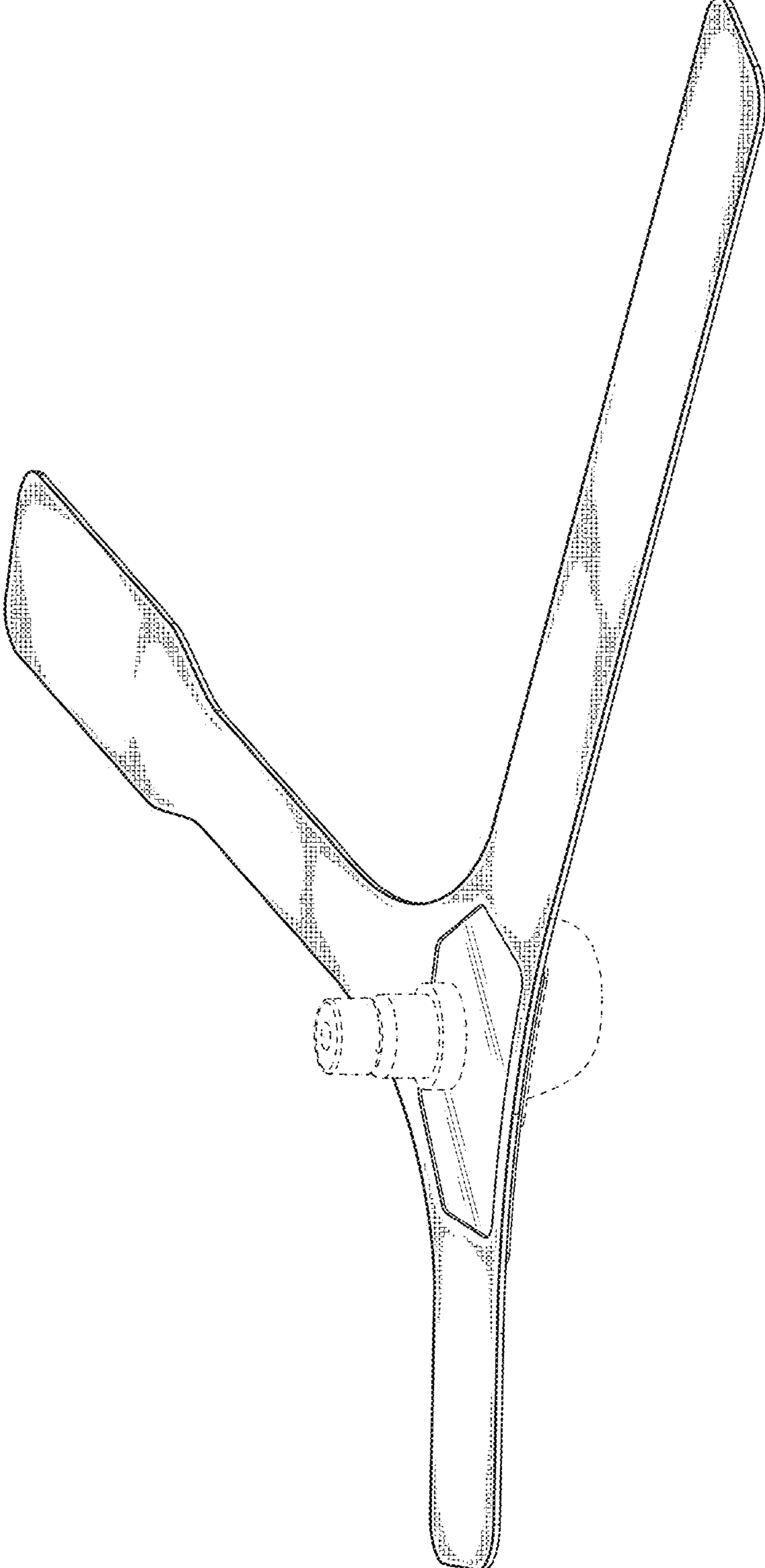


FIG. 1

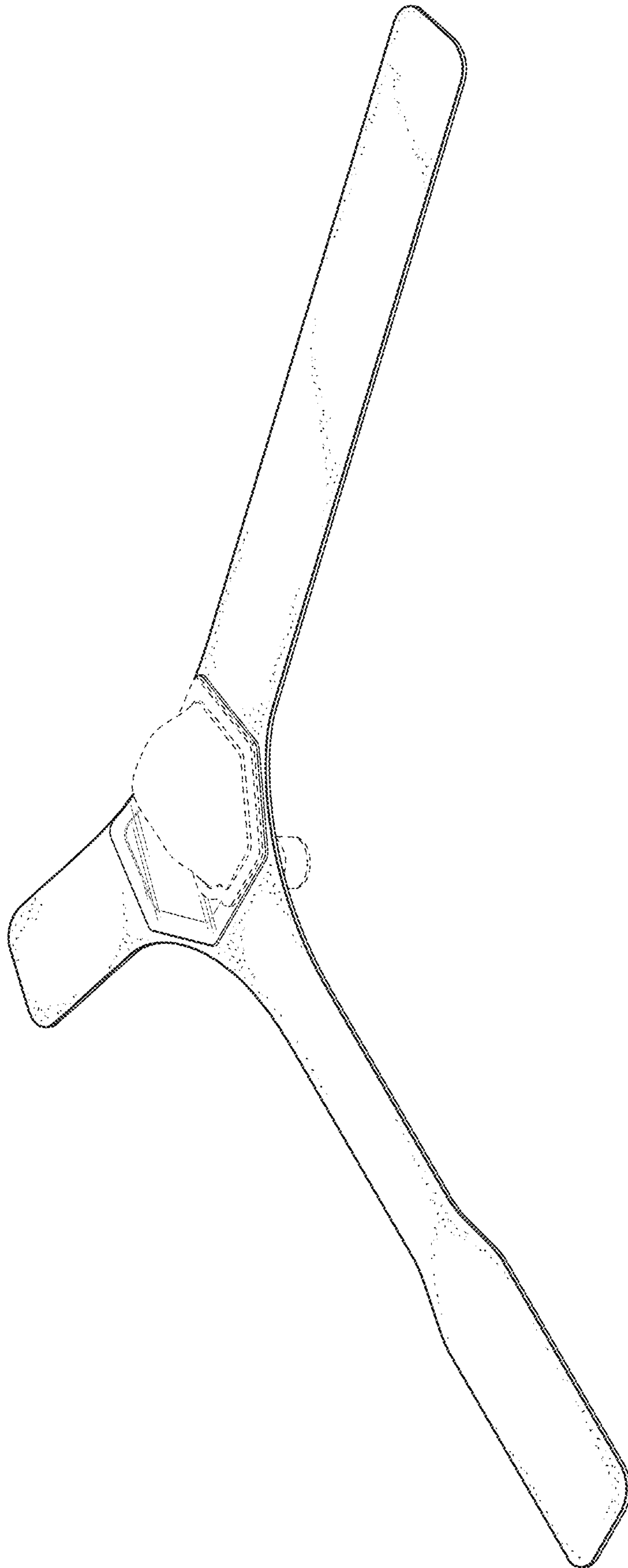


FIG. 2

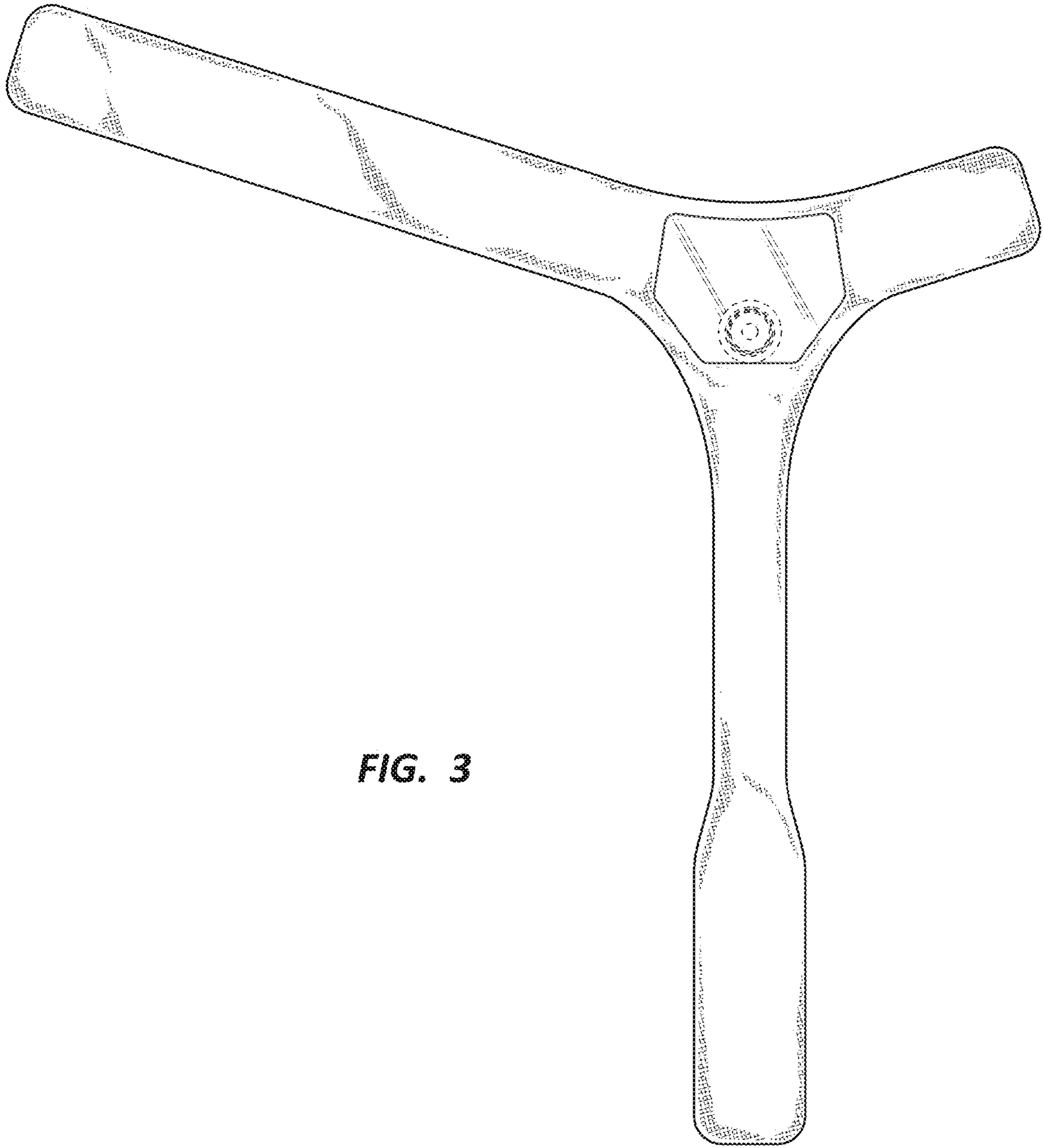


FIG. 3

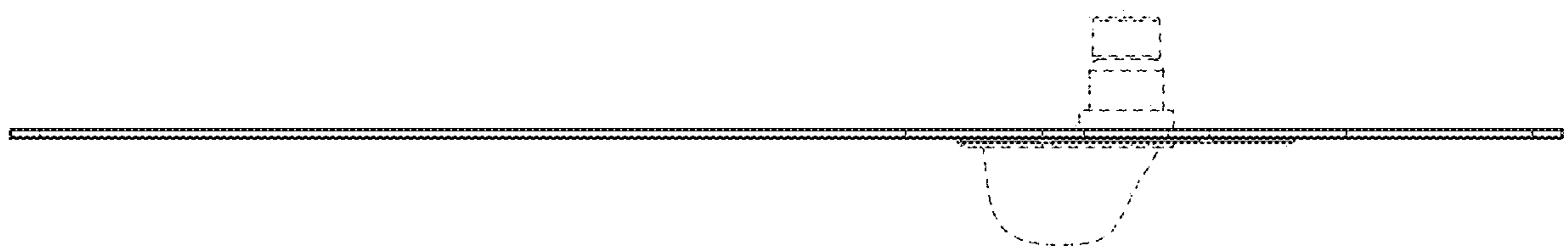


FIG. 4

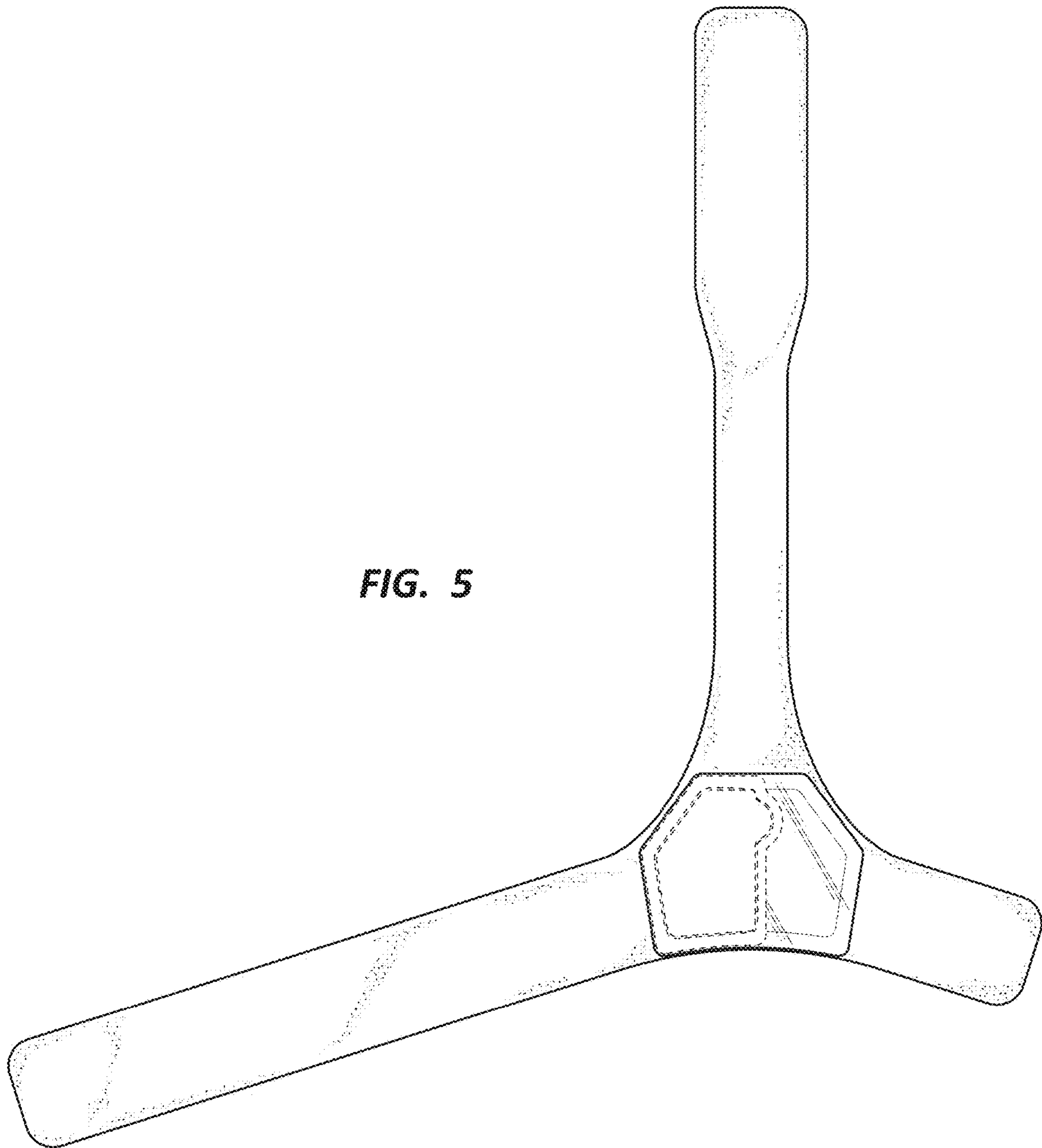


FIG. 5

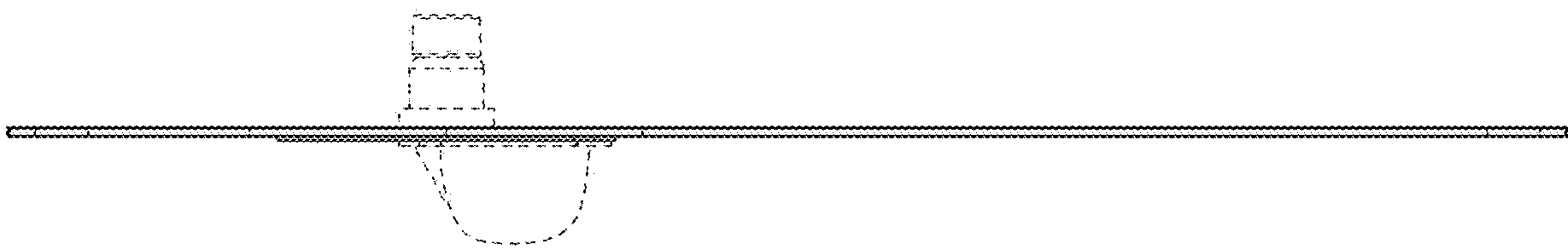


FIG. 6

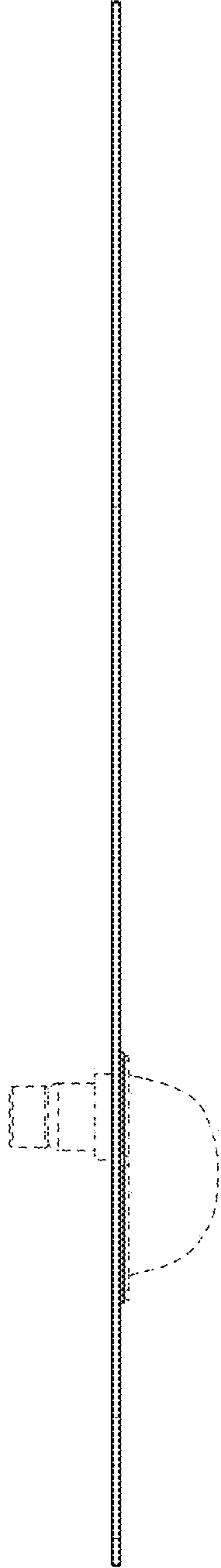


FIG. 7

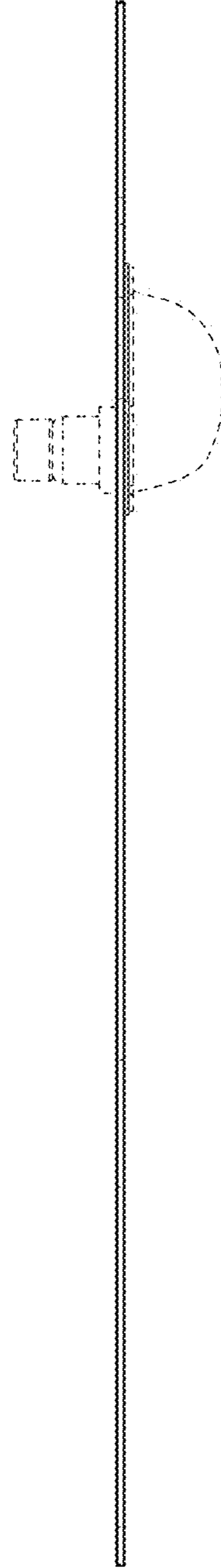


FIG. 8

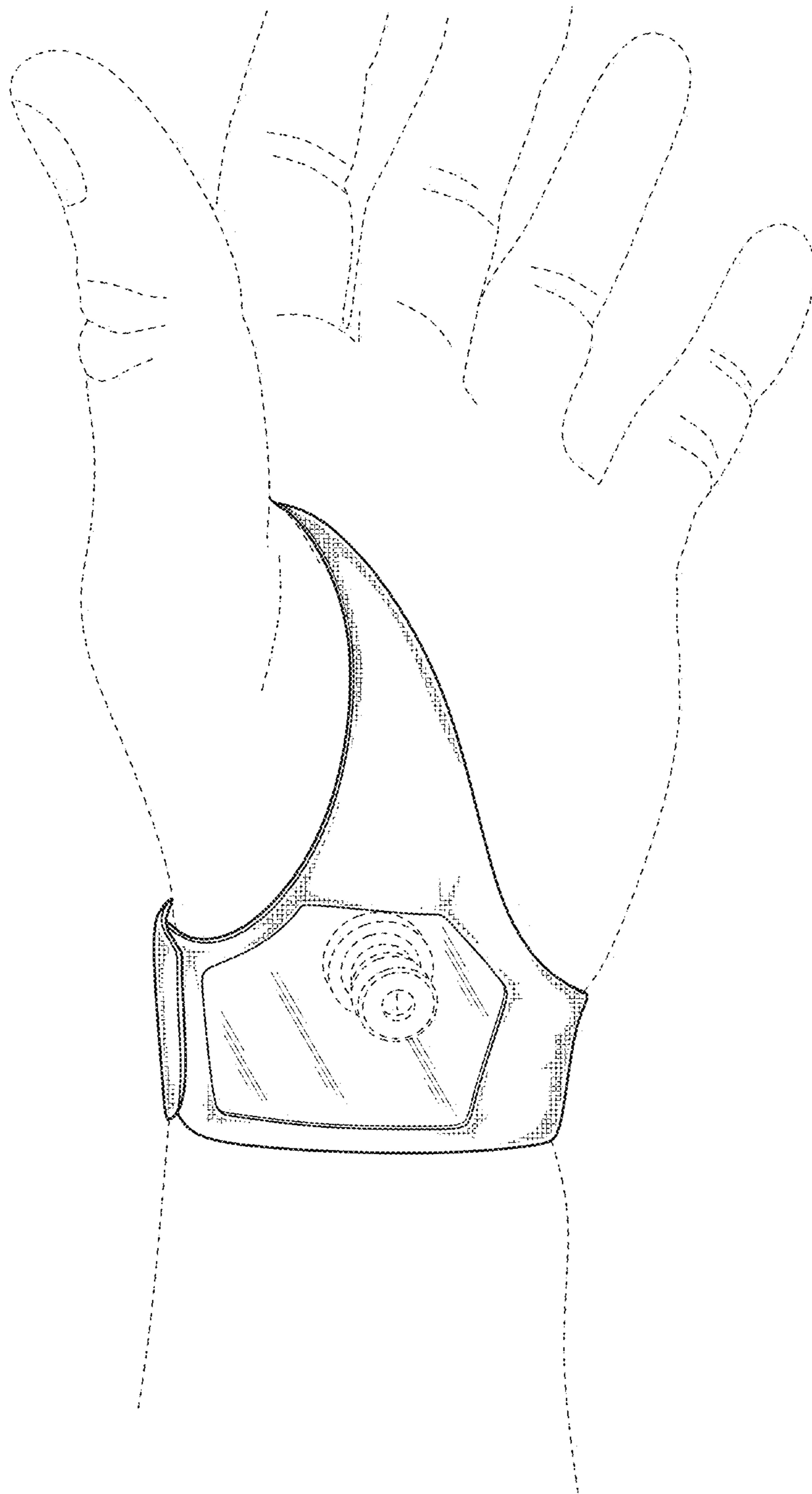


FIG. 9



FIG. 10